

EPSON®

EPSON STYLUS™ PRO 10600

Assembly and Setup Guide

Safety Instructions	1
Assembling the Stand	2
Assembling the Printer and Stand	3
Setting up Stylus Pro 10600	5
Connecting the Printer with Your Computer.	9
Installing the Printer Software	10
Using the User Guides	12

All rights reserved. No part of this publication may be reproduced, stored in a retrieval system, or transmitted in any form or by any means, electronic, mechanical, photocopying, recording, or otherwise, without the prior written permission of SEIKO EPSON CORPORATION. The information contained herein is designed only for use with this EPSON printer. EPSON is not responsible for any use of this information as applied to other printers.

Neither SEIKO EPSON CORPORATION nor its affiliates shall be liable to the purchaser of this product or third parties for damages, losses, costs, or expenses incurred by the purchaser or third parties as a result of: accident, misuse, or abuse of this product or unauthorized modifications, repairs, or alterations to this product, or (excluding the U.S.) failure to strictly comply with SEIKO EPSON CORPORATION's operating and maintenance instructions.

SEIKO EPSON CORPORATION shall not be liable for any damages or problems arising from the use of any options or any consumable products other than those designated as Original EPSON Products or EPSON Approved Products by SEIKO EPSON CORPORATION.

SEIKO EPSON CORPORATION shall not be held liable for any damage resulting from electromagnetic interference that occurs from the use of any interface cables other than those designated as EPSON Approved Products by SEIKO EPSON CORPORATION.

EPSON is a registered trademark and EPSON STYLUS are trademarks of SEIKO EPSON CORPORATION.

Microsoft and Windows are registered trademarks of Microsoft Corporation.

Apple and Macintosh are registered trademarks of Apple Computer, Inc.

General Notice: Other product names used herein are for identification purposes only and may be trademarks of their respective owners. EPSON disclaims any and all rights in those marks.

Copyright © 2002 by SEIKO EPSON CORPORATION, Nagano, Japan.

Safety Instructions

Important Safety Instructions

Read all of these instructions before using your printer. Also be sure to follow all warnings and instructions marked on the printer.

- ❑ Do not block or cover the openings in the printer cabinet.
- ❑ Do not insert objects through the slots. Take care not to spill liquid on the printer.
- ❑ Use only the type of power source indicated on the printer's label.
- ❑ Do not use a damaged or frayed power cord.
- ❑ If you use an extension cord with the printer, make sure the total ampere rating of the devices plugged into the extension cord does not exceed the cord's ampere rating. Also, make sure the total ampere rating of all devices plugged into the wall outlet does not exceed the wall outlet's ampere rating.
- ❑ Do not attempt to service the printer yourself.
- ❑ Unplug the printer and refer servicing to qualified service personnel under the following conditions:

The power cord or plug is damaged; liquid has entered the printer; the printer has been dropped or the cabinet damaged; the printer does not operate normally or exhibits a distinct change in performance.

- ❑ The interface connector (including Type B interface card) and the connector for optional Auto Take-up Reel Unit are Non-LPS (non-limited power source).

A Few Precautions

When choosing a place for the printer

- ❑ Avoid places subject to rapid changes in temperature and humidity. Also keep the printer away from direct sunlight, strong light, or heat sources.
- ❑ Avoid places subject to shocks and vibrations.

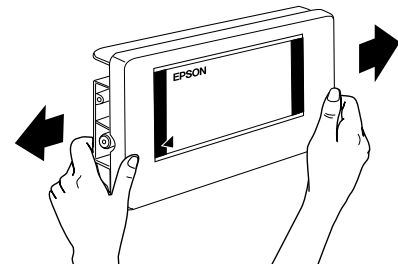
- ❑ Keep the printer away from the dusty area.
- ❑ Place the printer near a wall outlet where the plug can be easily unplugged.

When using the printer

- ❑ Do not put your hand inside the printer or touch the ink cartridges during printing.
- ❑ Do not move the print heads by hand; otherwise you may damage the printer.

When handling the ink cartridges

- ❑ Keep ink cartridges out of the reach of children and do not drink.
- ❑ If ink gets on your skin, wash it off with soap and water. If it gets in your eyes, flush them immediately with water.
- ❑ If you use UltraChrome or ColorFast ink cartridges, shake the ink cartridge gently before installing it for best results.



Caution:

Do not shake cartridges that have been installed previously.

- ❑ Do not use an ink cartridge beyond the date printed on the cartridge carton.
- ❑ Use up the ink cartridge within six months of installation for best results.
- ❑ Store ink cartridges in a cool, dark place.
- ❑ Do not dismantle the ink cartridges or try to refill them. This could damage the print head.
- ❑ Do not touch the green IC chip on the side of the ink cartridge. This may affect normal operation and printing.
- ❑ Do not touch the ink supply port or surrounding area of the ink cartridge.

For United Kingdom Users

Use of options

EPSON (UK) Limited shall not be liable against any damages or problems arising from the use of any options or consumable products other than those designated as Original EPSON Products or EPSON Approved Products by EPSON (UK) Limited.

Safety Information



Warning:

This appliance must be earthed. Refer to rating plate for voltage and check that the appliance voltage corresponds to the supply voltage.

Important:

The wires in the mains lead fitted to this appliance are coloured in accordance with the following code:

Green and yellow – Earth

Blue – Neutral

Brown – Live

If you have to fit a plug:

As the colours of the mains lead of this appliance may not match coloured markings used to identify the terminals in a plug, please proceed as follows:

The green and yellow wire must be connected to the terminal in the plug which is marked with the letter E or earth symbol (\perp).

The blue wire must be connected to the terminal in the plug marked with the letter N.

The brown wire must be connected to the terminal in the plug marked with the letter L.

If damage occurs to the plug, replace the cord set or consult a qualified electrician.

Replace fuses only with a fuse of the correct size and rating.

Warning, Cautions, and Notes



Warnings must be followed carefully to avoid bodily injury.



Cautions must be observed to avoid damage to your equipment.

Notes contain important information and useful tips on the operation of your printer.

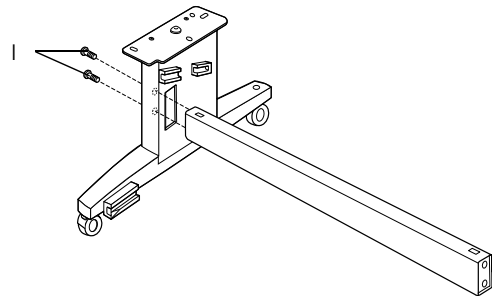
Assembling the Stand



Caution:

Have two people working on either side to assemble the stand.

1. Hold base upright left (A) and a horizontal strut (C) as shown. Then fix the strut to the stand using the two hex socket head bolts (I) with the hex wrench (H).



Note:

An instruction sticker about the setting paper basket is attached to the side of horizontal strut.

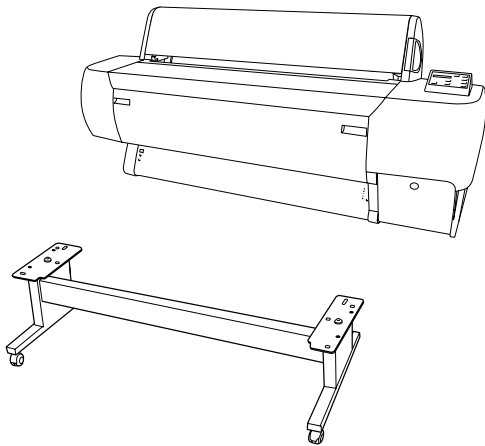
2. Referring the step 1, fix the other strut to the base upright right (B).

This completes assembly of the stand. Before attaching the paper basket, mount the printer on the stand.

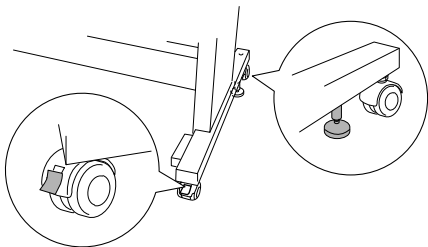
Assembling the Printer and Stand

Mounting the printer on the stand

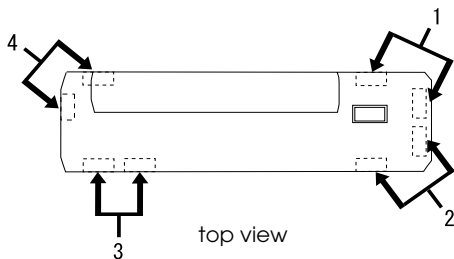
1. Position the stand in front of the printer (K) as shown.



2. Lock the two casters and extend the two stabilizer knobs underneath the stand.



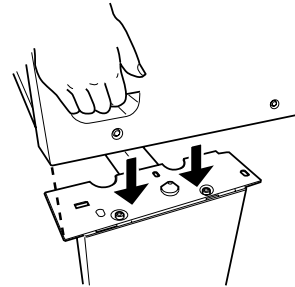
3. Lift the printer by the eight hand grips shown below.



Caution:

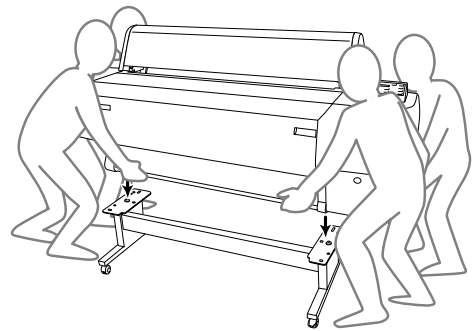
Do not attempt to lift the printer with fewer than four people.

4. Insert the printer into the guide pins on the stand.

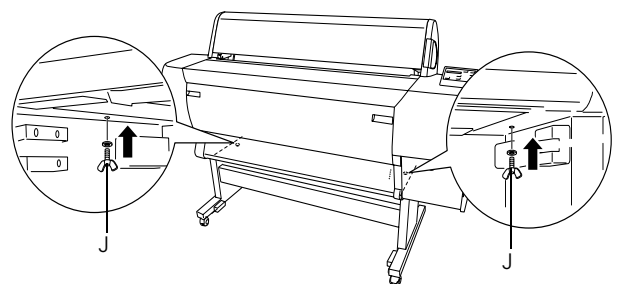


Note:

When you place the printer on the stand, match the right end square of the printer to the square of the same part of the stand.

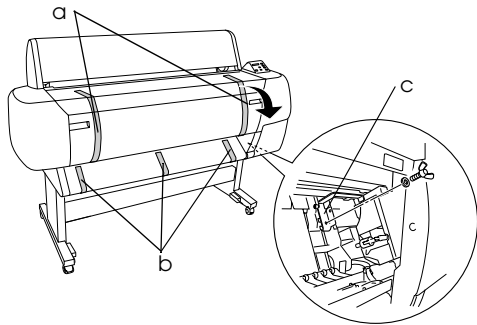


5. Screw the two wing nuts and washers (J) into the left and right joint holes at the side-inner of the stand, and tighten them.



6. Release the front casters and the stabilizer knobs and move the printer to the place of use (a short distance away). Lock the casters and extend the stabilizer knobs after moving.

- Remove the protective materials:



- a: from the front cover (tapes).
- b: from the platen (tapes).
- c: from the side of the print head compartment (fixing metal plate inside the front cover).

- Close the front cover.

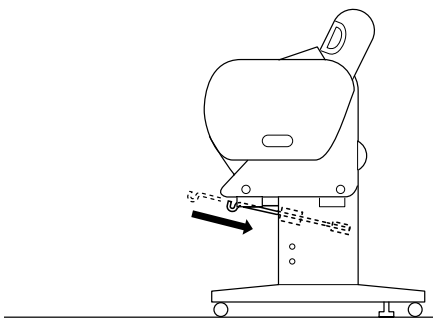


Caution:

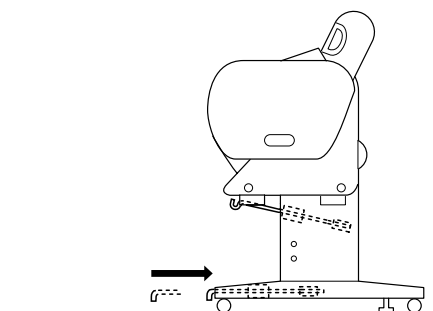
Watch your fingers when opening and closing the lower cover.

Attaching the paper basket

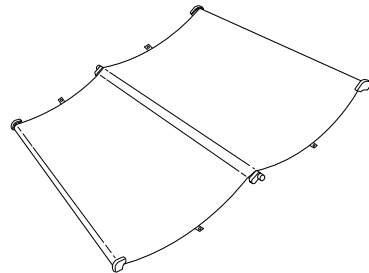
- Fully insert and attach the short basket hooks (D) to the upper guides of base upright left and right.



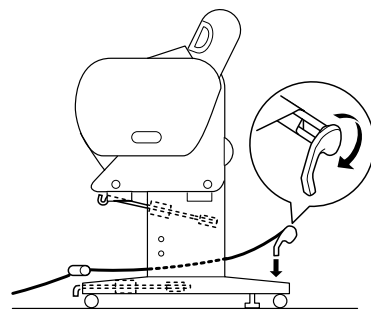
- Likewise, fully insert and attach the long basket hooks (E) to the lower guides.



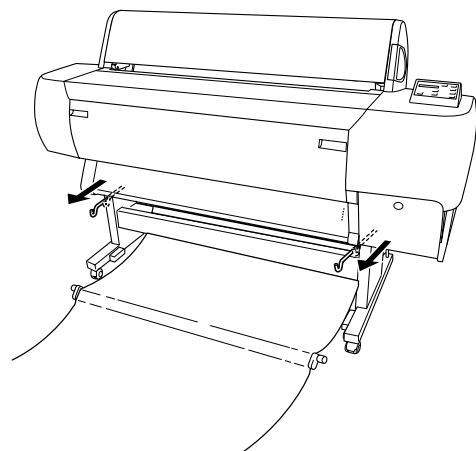
- Turning the stitch side down, spread the paper basket (F) on the floor.



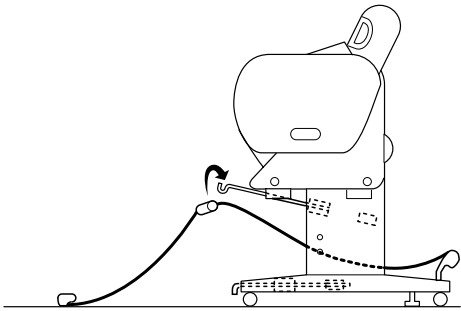
- Holding the rear shaft, pass it under the horizontal struts. Holding the rear shafts and the joint sockets, turn them one revolution as shown below. Then insert the stanchion pins into the holes on the base upright left and right.



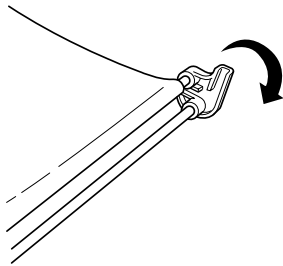
- Slide out the upper basket hooks to their full length.



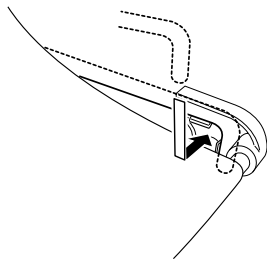
- Hook the both ends of the center shafts on the upper basket hooks.



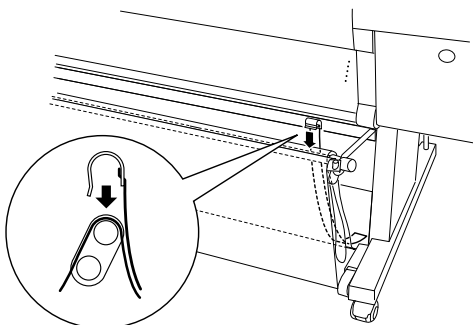
- Hold the front side shafts and turn it one revolution as shown below.



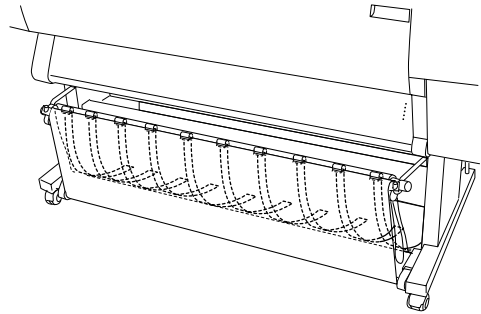
- Slide out the lower basket hooks to their full length, then attach the L shape ends to the joint sockets on the front side.



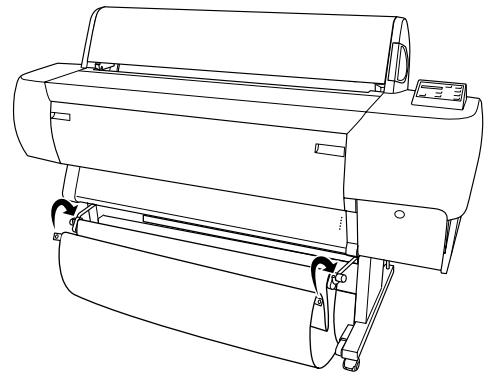
- Hook the paper feed support film (G) on the intermediate shaft of the paper basket, so that it hangs along the inner surface of the basket.



- Set 10 paper feed support films (G) at even intervals of approximately 4 inches.



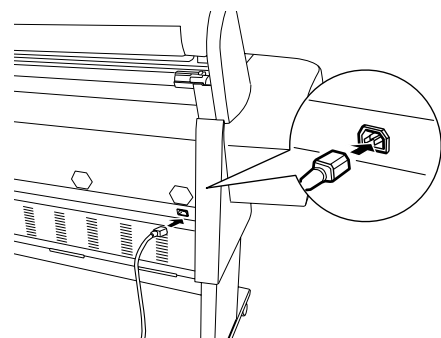
- Slide the upper and lower basket hooks back.
- Hook the basket rings in the directions shown below to take up the slack.



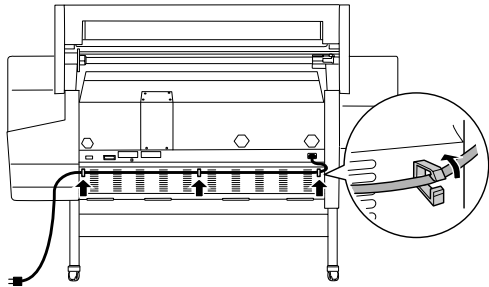
Setting up Stylus Pro 10600

Connecting the power cord

- Connect the power cord (R) to the AC inlet on the back of the printer.



- Attach the three clamps packed with your printer, then route the power cord through the clamps at the rear of the printer.



- Check the label on the back of the printer to make sure the voltage required by the printer matches that of the electrical outlet you are using.
- Plug the power cord into a properly grounded electrical outlet.



Caution:

Do not use an outlet that is controlled by an automatic timer or wall switch. Otherwise, accidental shut down or damage to your printer may occur.

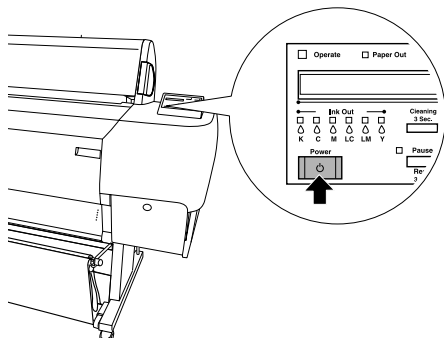
Installing the Ink Cartridges



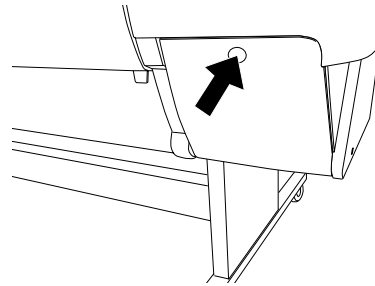
Warning:

The ink cartridges are self-contained units. Under ordinary use, ink will not leak from the cartridges. If ink does get on your hands, wash them thoroughly with soap and water. If ink gets into your eyes, flush them immediately with water.

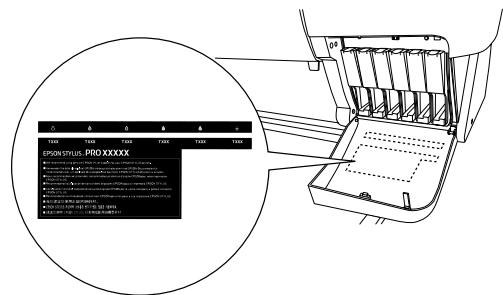
- Turn on the printer by pressing the Power button. After a short time NO INK CARTRIDGE is displayed on the LCD panel.



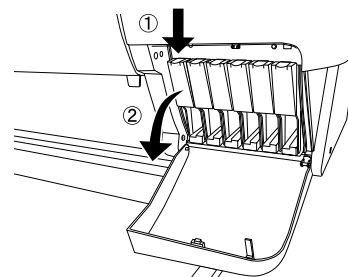
- Push the ink compartment cover to open it.



- Put the attached label for your ink type on the back of the ink compartment cover.



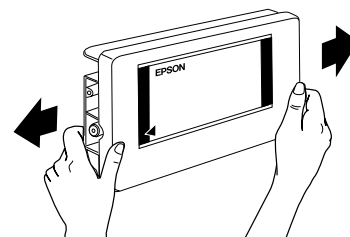
- Push the top of the clamp, and pull it forward.



- Remove the package from an ink cartridge.

Note:

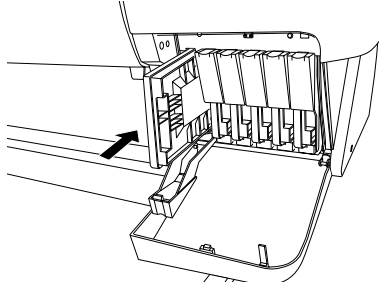
If you use UltraChrome or ColorFast ink cartridges, shake the ink cartridge gently before installing it for best results.



Caution:

Do not shake cartridges that have been installed previously.

6. Holding the ink cartridge with arrow mark on the left side and pointing to the rear of the printer, and insert it into the slot. Be sure to match the colors of the seal of compartment and the cartridge you are replacing.



7. Close the ink cartridge clamp backwards. Make sure the corresponding Ink Out light goes off. Repeat step 5 to 6 for the other five color ink cartridges.
8. Close the ink compartment cover.

After installing all six ink cartridges, the printer begins charging the ink delivery system and the Pause light flashes (for about 7 minutes). When the ink delivery system is charged, the Pause light stops flashing.



Caution:

Never do the following while the Pause light is flashing; otherwise damage may occur:

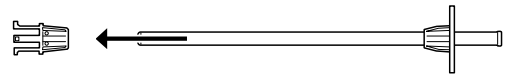
- Turn off the printer.
- Open the front cover.
- Open the ink compartment cover.
- Move the paper lever to the released position.
- Unplug the power cord.

Loading Roll Paper

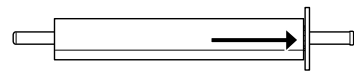
Note:

The instruction here is for the 2-inch roll paper spindle (L). However, the procedure for 3-inch roll paper spindle (M) is the same.

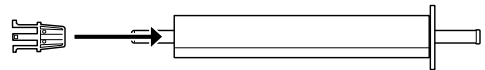
1. Slide the movable flange off the end of the spindle.



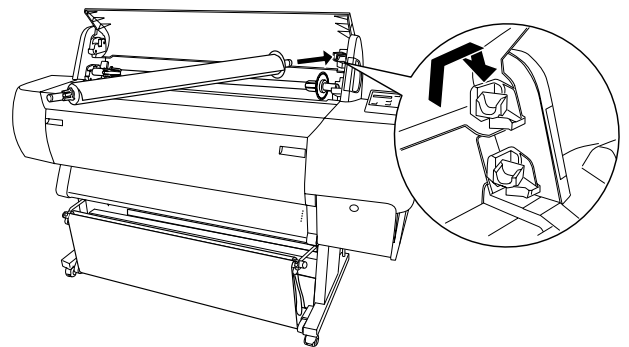
2. Place the roll paper on a flat surface so that it unwinds in the direction shown. Slide the roll paper onto the spindle and fully onto the fixed flange.



3. Slide the movable flange back onto the spindle until it fixes into place in the end of the roll paper.



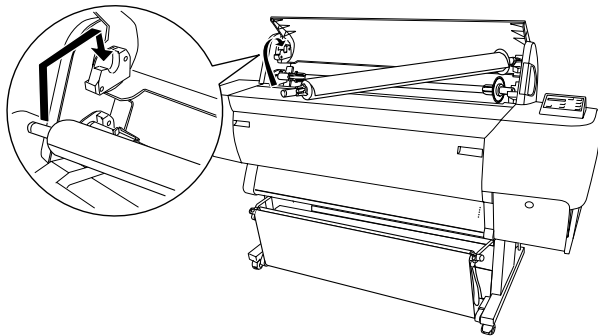
4. Open the roll paper cover. Holding the spindle, fit the right end of the spindle into the mounting bracket inside the printer.



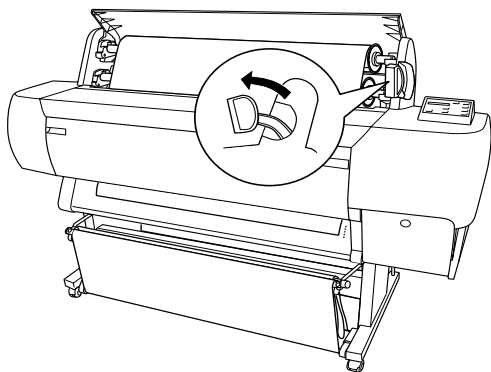
Note:

- The spindle and mounting brackets are color-coded. Mount the spindle into the mounting bracket that is the same color as the end of the spindle.
- When you mount two roll paper spindles on your printer, mount the 3-inch type on the upper side brackets and the 2-inch type on the lower brackets.

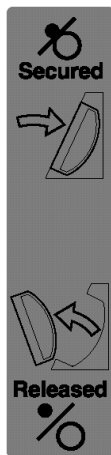
- Fit the left end of the spindle into the left mounting bracket inside the printer.



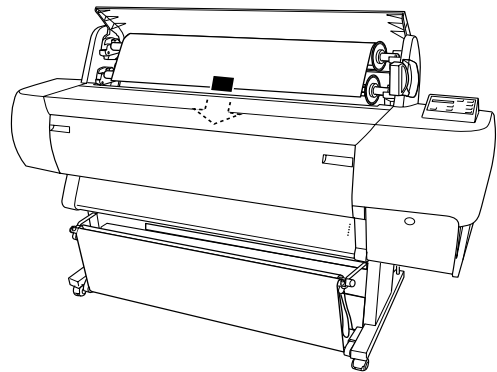
- Make sure that the printer is turned on, then repeatedly press the Paper Source button until the Roll Auto Cut light comes on.
- Set the paper lever to the released position.



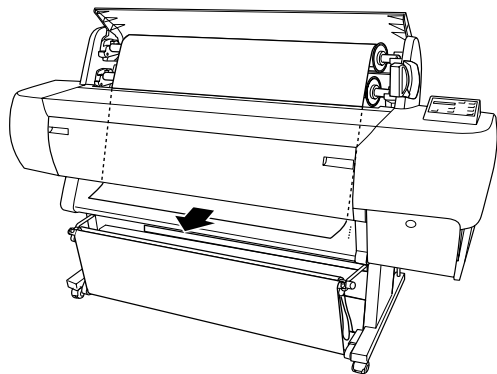
Note:
For the position names of the paper lever, see the attached instruction seal on the lever shown below.



- Insert the paper into the paper insertion slot.

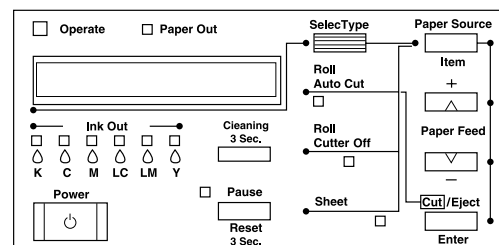


- Pull the paper down through the paper insertion slot so that it comes out below.



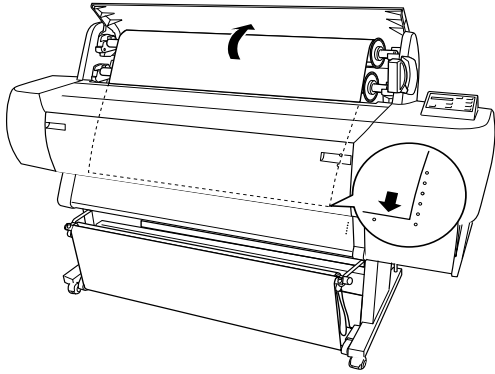
Note:

- If the roll paper does not come out, adjust the feed strength by pressing the Paper Feed buttons on the control panel. When using thick, heavy, or curled paper, press the Paper Feed (+) button to increase the power. When using thin or light paper, press the Paper Feed (-) button to decrease the power.

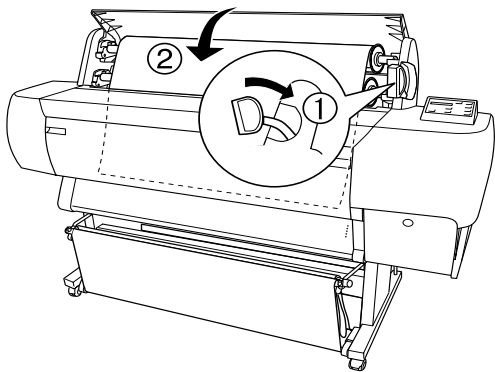


- If the paper does not come out even after executing the procedure above, open the front cover and pull the paper out manually.

10. Holding the bottom edge of the paper, turn the roll paper to remove slack. Make sure that the bottom edge of the paper is straight, and that it is aligned with the rows of holes.



11. Set the paper lever to the secured position, and close the roll paper cover.



12. Press the PAUSE button. The print heads move and the paper automatically feeds into the printing position. READY appears on the LCD panel.

Note:

Even if you do not press the Pause button, the print heads move and paper feeds into the printing position automatically. READY appears on the LCD panel.

Now you are ready to print on roll paper. Make sure the printer driver settings, then send the print job.

Connecting the Printer with Your Computer

Using the built-in parallel interface or built-in USB interface

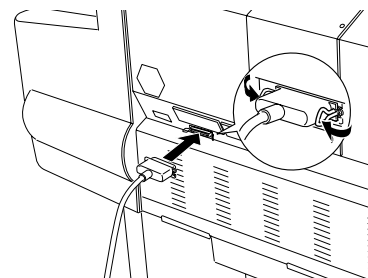
Use a shielded, twisted-pair cable, or a standard shielded USB cable.

Note:

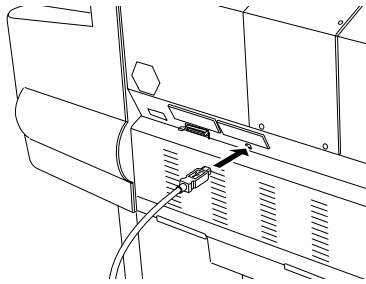
- ❑ *When using an inappropriate cable or connecting peripheral devices between the printer and the computer, the connection may be unstable.*
- ❑ *You cannot connect Windows 95 or NT 4.0 computers to the USB interface of the printer.*
- ❑ *You cannot connect Macintosh computer to the parallel interface of the printer.*
- ❑ *The EPSON Printer Port and DMA transfer features (for Windows Me, 98, and 95 only) of the EPSON printer driver you install are not available with USB connections. They are available only with the parallel interface connection. For information on the EPSON Printer Port and DMA transfer, see your Reference Guide.*

1. Make sure that both the printer and the computer are off.
2. Attach the parallel or USB interface cable to the printer as shown below.

Parallel



USB



Note:

When the cable has a grounding wire, secure the wire with the screw below the connector.

3. Plug the other end of the cable into the computer's parallel or USB interface connector.

Using the installed IEEE 1394 interface or Ethernet interface

The IEEE 1394 interface card and Ethernet interface card are already installed in your printer. If you want to use the IEEE 1394 interface card, see "Installing the Printer Software" on page 10 in this manual. If you want to use the Ethernet interface card, see the *Administrator's Guide*.

Installing the Printer Software

After connecting the printer to your computer, you need to install the software included on the Printer Software for EPSON STYLUS PRO 10600 CD-ROM shipped with your printer.

Note:

When you install the printer driver in your computer, you will be asked several times to select your printer. If you use UltraChrome ink, select EPSON Stylus Pro 10600 UC. If you use ColorFast ink, select EPSON Stylus Pro 10600 UC. If you use dye ink, select EPSON Stylus Pro 10600 DYE.

For Windows

Installing on Windows

Follow these steps to install your printer software.

1. Make sure that your printer is off.
2. Turn on your computer and start Windows.
3. Insert the printer software CD-ROM shipped with your printer in the CD-ROM drive. The Installer dialog box appears.
4. Follow the directions on the screen, and turn on your printer.
5. Choose your printer from the window, then click the right arrow.
6. Click Install Software, then the right arrow.



7. Click Install in the dialog box that appears to start the printer software installation.
8. Follow the on-screen instruction.

Note:

- In Windows, IEEE 1394 is available only for Windows Me and 2000.
- If an error message appears, either the printer driver or the EPSON USB printer device driver is not installed correctly. See "Troubleshooting" in the online Reference Guide.

Ensuring that the USB driver or IEEE 1394 driver is installed correctly in Windows (for Windows Me, 98 and 2000 only)

After the printer software installation is complete, confirm that the USB driver is installed correctly.

1. Click the Start button, point to Settings, and click Printers. Make sure that the icon for your printer appears in the Printer window.
2. Click the icon for your printer, then click Properties on the File menu.
3. For USB interface users, click the Details or Ports tab and make sure that EPUSBx:(EPSON Stylus Pro 10600 UC, CF or DYE) is displayed in the Print to the following port list box.

For IEEE 1394 interface users, click the Details or Ports tab and make sure that EP1394_xxx is selected in the Print on the port list box.

Note:

If the correct port is not displayed, refer to the "Troubleshooting" section of the online Reference Guide.

For Macintosh

Installing on Macintosh

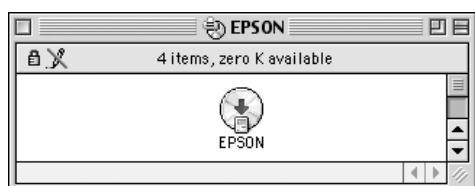
Follow these steps to install your printer software.



Caution:

Turn off all virus protection programs before you install your printer software.

1. Make sure that your computer and printer are connected and that both are turned on.
2. Turn on your Macintosh, and insert the software CD-ROM shipped with your printer in the CD-ROM drive. The EPSON printer software disk opens automatically.
3. Double-click EPSON icon.



4. Choose your printer from the window, then click the right arrow.
5. Click Install Software, then the right arrow.



6. Click Install in the dialog box that appears to start the printer software installation.
7. Follow the on-screen instructions.

Using the Chooser to select your printer

After you have installed the printer software on your Macintosh, you need to open the Chooser and select your printer. You must select a printer the first time you use it or whenever you want to switch to another printer. Your Macintosh will always print using the last printer selected.

1. Select Chooser from the Apple menu. Then click your printer's icon and the port your printer is connected to.
2. For USB interface users, click your printer's icon and the port your printer is connected to. For IEEE 1394 interface users, click your printer's icon and the FireWire port your printer is connected to.
3. Select the appropriate Background Printing radio button to turn background printing on or off.

With background printing on, you can use your Macintosh while it is preparing a document for printing. In order to use the EPSON Monitor3 utility to manage print jobs, background printing must be turned on.

4. Close the Chooser.

Using the User Guides

What to Do Next

After completing the hardware setup and the driver installation, see the *Reference Guide* for detailed information about your printer's functions, maintenance, troubleshooting, technical specifications and optional products.

Using the User Guides

It contains detailed instructions on how to use the printer, and information on using optional products. You can view this guide directly from the CD-ROM, or install into your computer and view it from your hard disk.

Note:

Microsoft Internet Explorer 4.0 or later, or Netscape Navigator 4.0 or later, must be installed in your computer to read the online guide.

EPSON