

EPSON EXPRESSION™ 1680 EPSON EXPRESSION™ 1680 Pro

Color Image Scanner

EN

All rights reserved. No part of this publication may be reproduced, stored in a retrieval system, or transmitted in any form or by any means, electronic, mechanical, photocopying, recording, or otherwise, without the prior written permission of SEIKO EPSON CORPORATION. No patent liability is assumed with respect to the use of the information contained herein. Neither is any liability assumed for damages resulting from the use of the information contained herein.

Neither SEIKO EPSON CORPORATION nor its affiliates shall be liable to the purchaser of this product or third parties for damages, losses, costs, or expenses incurred by purchaser or third parties as a result of: accident, misuse, or abuse of this product or unauthorized modifications, repairs, or alterations to this product.

SEIKO EPSON CORPORATION and its affiliates shall not be liable for any damages or problems arising from the use of any options or any consumable products other than those designated as Original EPSON Products or EPSON Approved Products by SEIKO EPSON CORPORATION.

EPSON is a registered trademark of SEIKO EPSON CORPORATION.

IBM and PS/2 are registered trademarks of International Business Machines Corporation.

Macintosh is a registered trademark of Apple Computer, Inc.

Microsoft and Windows are registered trademarks of Microsoft Corporation in the United States of America and other countries.

Adobe and Acrobat are registered trademarks and Acrobat Reader is a trademark of Adobe Systems Incorporated.

Presto! is a trademark of NewSoft Technology Corporation.

***General Notice:** Other product names used herein are for identification purposes only and may be trademarks of their respective companies.*

Copyright © 2000 by SEIKO EPSON CORPORATION, Nagano, Japan.

Quick Start Manual

Where to Find Information

■ Quick Start Manual (this manual)

This guide provides you with information and instructions on how to unpack and set up your scanner. It also provides instructions on using the online documentation provided on CD-ROM.


■ Online Documentation

The CD-ROM shipped with your scanner includes the following online documentation in PDF format.

Setup Guide

Explains how to set up the scanner and install the scanner software and options. Also gives basic scanning instructions, including how to make scanner software settings and how to use the Start Button feature.

Reference Guide

Provides tips for optimizing scanning and detailed information on the settings and functions of EPSON TWAIN Pro and EPSON TWAIN Pro Network. Also explains how to modify the operation of the scanner's  Start button.

In addition, this guide explains how to install the scanner options, and provides maintenance, troubleshooting, and customer support information.

■ Online help for EPSON TWAIN Pro and EPSON TWAIN Pro Network

Online help provides you with detailed information on EPSON TWAIN Pro and EPSON TWAIN Pro Network. To access online help, click the **Help** button in EPSON TWAIN Pro or EPSON TWAIN Pro Network.

■ Information on PageManager and other Software

For more information on Presto! PageManager for EPSON and the other applications provided on the scanner software CD-ROM, see the documentation provided for that application on the CD-ROM.

■ Contents

ENERGY STAR® Compliance	5
Warnings, Cautions, and Notes	5
System Requirements	6
When connecting the scanner directly to your computer.	6
When scanning over a network	8
Unpacking the Scanner	9
Scanner parts	11
Setting Up the Scanner	12
Choosing a place for the scanner	12
Releasing the transportation lock	12
Plugging in the scanner	13
Checking initialization	14
Connecting the Scanner to Your Computer	14
Connecting the scanner using the SCSI interface	14
Connecting the scanner using the USB interface	19
Using the Online Manuals	22
Installing Adobe Acrobat Reader	22
Accessing the online manuals	23
Customer Support	24

■ ENERGY STAR® Compliance

As an ENERGY STAR® Partner, EPSON has determined that this product meets the ENERGY STAR® guidelines for energy efficiency.



The International ENERGY STAR® Office Equipment Program is a voluntary partnership with the computer and office equipment industry to promote the introduction of energy-efficient personal computers, monitors, printers, fax machines, copiers, and scanners, in an effort to reduce air pollution caused by power generation.

■ Warnings, Cautions, and Notes



Warnings

must be followed carefully to avoid bodily injury.



Cautions

must be observed to avoid damage to your equipment.

Notes

contain important information and useful tips on the operation of your scanner.

■ System Requirements

Before installing the scanner software, make sure that your system meets the following requirements.

■ When connecting the scanner directly to your computer

■ For Windows SCSI users

Scanner:	EPSON Expression 1680/Expression 1680 Pro
System:	Microsoft® Windows Millennium Edition, Windows 98, Windows 95, Windows 2000, or Windows NT 4.0
Interface:	Adaptec® SCSI adapter
Display:	VGA or higher resolution monitor 640 × 480 screen resolution (800 × 600 or higher recommended), and 65,000 colors (or higher)

Note:

Color and tone reproduction are subject to the display capability of your computer system, including the video card, display monitor, and software. See the product documentation for details.

■ For Windows USB users

Scanner:	EPSON Expression 1680/Expression 1680 Pro
System:	Microsoft Windows Millennium Edition, Windows 98, or Windows 2000 pre-installed
Interface:	USB port (Type A receptacle)
Display:	VGA or higher resolution monitor 640 × 480 screen resolution (800 × 600 or higher recommended), and 65,000 colors (or higher)

Note:

Color and tone reproduction are subject to the display capability of your computer system, including the video card, display monitor, and software. See the product documentation for details.

■ For Macintosh SCSI users

Scanner:	EPSON Expression 1680/Expression 1680 Pro
System:	Apple® Macintosh with a PowerPC processor running system 8.0 or later
Interface:	SCSI adapter
Display:	Color Monitor, 640 × 480 screen resolution (or higher recommended), and 32,000 colors (or higher)

Note:

Color and tone reproduction are subject to the display capability of your computer system, including the video card, display monitor, and software. See the product documentation for details.

■ For Macintosh USB users

Scanner: EPSON Expression 1680/Expression 1680 Pro

System: Apple Macintosh PowerPC with built-in USB ports and running Mac OS 8.5 or later
iMac running Mac OS 8.5 or later

Interface: USB port

Note:

You cannot use a serial interface.

Display: Color Monitor, 640 × 480 screen resolution (or higher recommended), and 32,000 colors (or higher)

Note:

Color and tone reproduction are subject to the display capability of your computer system, including the video card, display monitor, and software. See the product documentation for details.

■ When scanning over a network

Computer: for EPSON Scan Server
IBM PC/AT compatible computer
(Intel Pentium or faster processor is recommended)

for EPSON TWAIN Pro Network
IBM PC/AT compatible computer
(Intel Pentium or faster processor is recommended), or Apple Power Macintosh

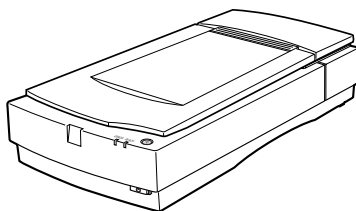
Operating system: for EPSON Scan Server
Windows Millennium Edition, 98, 95,
2000 Server or Professional,
or NT 4.0 Server or Workstation

for EPSON TWAIN Pro Network
Windows Millennium Edition, 98, 95,
2000 Professional, NT 4.0 Workstation,
or Apple System 8.0 or later

System configuration:	Minimum two computers in a network.
Scanner:	EPSON Expression 1680/1680 Pro
Interface for scanner:	SCSI, USB, IEEE 1394
Interface for network:	10BaseT/100BaseTX, 10Base5, 10Base2
Ethernet communication protocol:	TCP/IP

■ Unpacking the Scanner

Your Expression 1680/Expression 1680 Pro comes shipped with CD-ROMs which include the driver software that runs your scanner, and some additional items, depending on your scanner model.



scanner

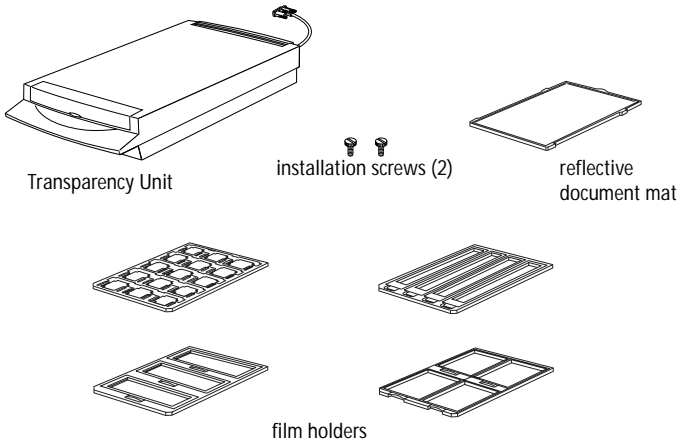


power cord



USB interface cable

For the Expression 1680 Pro

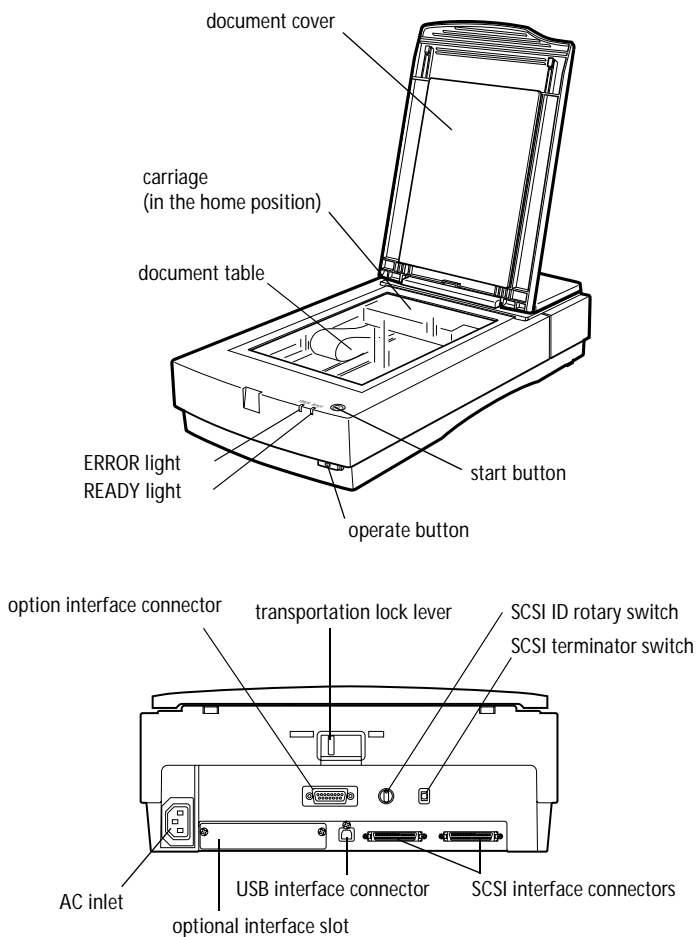


Note:

The Transparency Unit that comes standard with the Expression 1680 Pro is also available as an option for the Expression 1680.

Depending on the country of purchase, the power cord may come attached to the scanner. The shape of the AC plug also varies, so make sure the plug included is the correct shape for the electrical outlet in your country.

Scanner parts

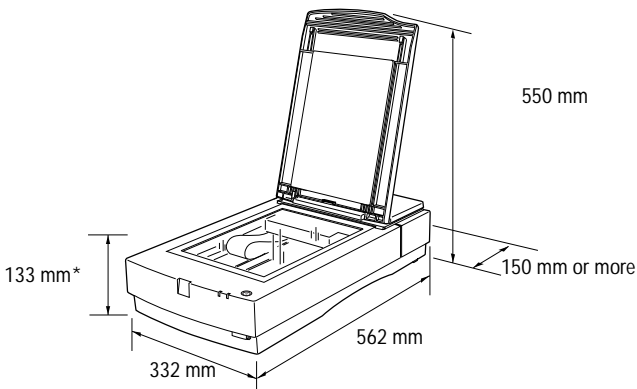


■ Setting Up the Scanner

■ Choosing a place for the scanner

Follow the guidelines below when selecting a location for your scanner.

- Place the scanner on a flat, stable surface. The scanner will not operate properly if it is tilted at an angle.
- Place the scanner close enough to the computer for the interface cable to reach it easily.
- Place the scanner near a wall outlet where the power cord can be easily unplugged.
- Allow space behind the scanner for the cables, and space above the scanner so that you can fully raise the document cover.



* When document cover is closed.

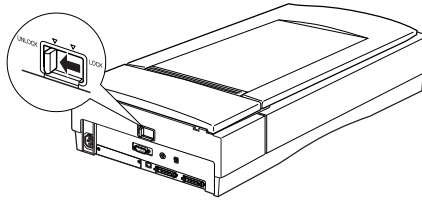
- Keep the scanner away from high temperatures, humidity and excessive dirt or dust. Also avoid using or storing the scanner in places subject to rapid changes of temperature and humidity.
- Keep the scanner away from direct sunlight and strong light sources.
- Avoid places subject to shocks and vibrations.

■ Releasing the transportation lock

Before connecting the scanner to a power source, you must release the transportation lock.

1. Place the scanner on a flat, stable surface with the back facing you.

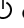
- Slide the transportation lock lever on the back of the scanner to the **UNLOCK** position, as shown below.

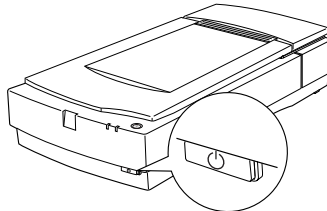


Note:

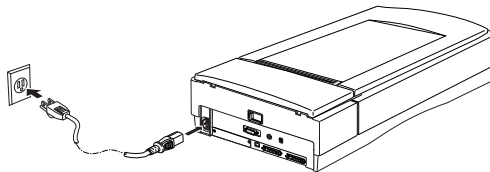
*Simply sliding the transportation lock to the **LOCK** position does not fully lock the carriage. Before moving or transporting the scanner, be sure to perform the procedure under “Transporting the Scanner and the Transparency Unit” in the online Reference Guide.*

■ Plugging in the scanner

- Make sure that the scanner is turned off. The scanner is off when the  operate button is raised (not depressed).



- If the power cord is not attached to the scanner, connect it to the AC inlet on the back of the scanner, and plug the other end into a properly grounded electrical outlet.




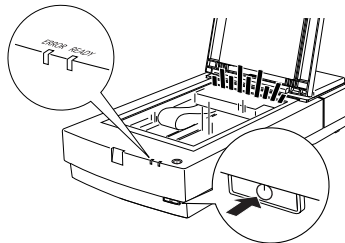
Caution:

It is not possible to change the scanner's voltage. If the label on the back of the scanner does not show the correct voltage for your country, contact your dealer. Do not plug in the power cord.

■ Checking initialization

Before connecting the scanner to your computer, follow the steps below to make sure that the scanner initializes, or starts up, properly.

1. Open the document cover so you can see the operation of the scanner during initialization.
2. Turn on the scanner by pressing the  operate button.
3. Make sure the fluorescent lamp on the carriage and the **READY** light flash, and the carriage moves slightly.



4. When the **READY** light stops flashing and stays on, it means the scanner has completed initialization.
5. Turn off the scanner.

If the scanner does not work as described, make sure the power cord is firmly plugged in and that you have released the transportation lock, then try again.



Caution:

Whenever you turn off the scanner, wait at least 10 seconds before turning it back on. Rapidly turning the scanner on and off can damage it.

■ Connecting the Scanner to Your Computer

■ Connecting the scanner using the SCSI interface

For instructions on connecting the scanner to your computer using the SCSI interface, read this section.

Note for Macintosh® users:

You need to install the scanner software before connecting the scanner to your computer. Follow the instructions in Chapter 3 of the online Setup Guide to install your software, then connect your scanner as described here.

■ For PC users:

Unless your PC already has a SCSI board installed, you need to install one, along with SCSI driver software. Install the SCSI board according to the directions included with it. Also see "Installing a SCSI interface board" in your online *Setup Guide*.

Note:

You will also need to install the SCSI driver that is normally included with Windows (see your Windows documentation for instructions), or the driver described in your SCSI board installation documentation.

■ For Macintosh users:

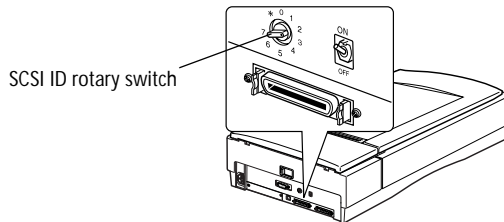
Your Macintosh may or may not have SCSI ports, depending on which model you own. See "Installing a SCSI interface board" in your online *Setup Guide* if you need to install a SCSI board in your Macintosh. If your Macintosh already has a SCSI port, install the scanner software as described in Chapter 3 of the online *Setup Guide*, then connect the scanner to your Macintosh as described in "Connecting the scanner" in your online *Setup Guide*.

Note:

The latest driver may be available for download from the Web site of the SCSI board manufacturer.

■ Setting the SCSI ID number

The scanner's SCSI ID switch is set to number 2 at the factory.



If you add the scanner to a system in which one of your SCSI devices already has a SCSI ID of 2, change the ID number to an unused number using the rotary switch. See the table below as a guide.

ID	Availability	Description
0	Not available for Macintosh	Used for hard disks
	Not recommended for PCs	Usually used for hard disks
1	Not recommended	Usually used for hard disks
2	Available	Factory setting of the scanner
3	Available	Not available if your Macintosh has a built-in CD-ROM
4	Available	
5	Available	
6	Available	
7	Not available for Macintosh	Always used for the Macintosh itself
	May not be available for PCs.	Usually used for the PC's SCSI board
*	Not available	For transportation purposes.* See "Transporting the Scanner and the Transparency Unit" in the Maintenance and Troubleshooting section of the online <i>Reference Guide</i> .

*Scanner will not work if selected.



Caution:

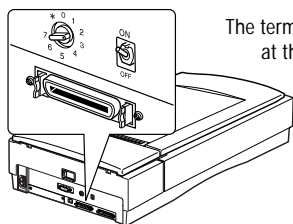
Do not set the SCSI ID to an ID number that is already assigned to another device. Otherwise the computer, scanner, and other devices will not operate properly.

■ Setting the terminator switch

The scanner has a built-in terminator, which allows SCSI devices to communicate properly with each other. Depending on your computer system, you may need to change the terminator switch setting.

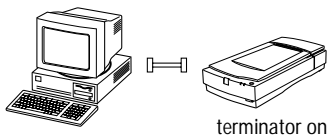
Note:

Do not use an external terminator.

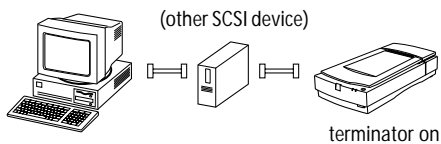


The terminator switch is located at the rear of the scanner.

Only the scanner is connected



The scanner is the last device in the daisy chain



The scanner is in the middle of the daisy chain



■ Connecting the scanner

Connect the scanner to your computer or to another SCSI device as described below.

Note:

The types of connectors needed on the SCSI interface cable varies depending on the maker of your SCSI device and SCSI interface board.

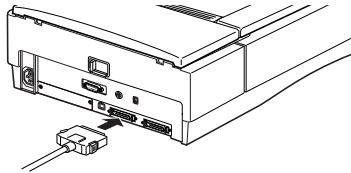
1. Make sure the scanner, computer, and all other SCSI devices are turned off and unplugged from the power source.



Caution:

Do not connect the scanner to the computer or other devices while they are turned on as damage may occur.

2. Connect one end of the interface cable to one of the scanner SCSI connectors until the locks on both sides snap in.



Note:

- *To connect the scanner to a SCSI device other than the computer, the length of cable in the daisy chain must not exceed 6 meters; otherwise the system may not work properly.*
 - *To connect the scanner to a PC using SCSI-2, the length of the cable must not exceed 3 meters.*
 - *Make sure no other interface is used.*
3. Connect the other end of the cable to the SCSI port of your computer or another SCSI device.

Note:

The SCSI port on the Macintosh is the larger port with the SCSI icon over it.

4. Plug in the power cords of your computer, scanner, and other external SCSI devices.

Note:

Before turning on your system, be sure to read “Power-on sequence” following.

■ Power-on sequence

Always turn on your scanner or other SCSI devices before turning on the computer. If your scanner is connected to a daisy chain, turn on the SCSI device which is connected at the farthest end of the chain first, then proceed to the second farthest device and so on before turning on your computer. If you attempt to use a SCSI device that has been turned on after the computer, it may not work properly, or the computer may not work properly.

Note:

If the scanner software is not yet installed, a dialog box or message prompting you to set up the device and install the scanner software may appear when you turn on the computer when the scanner is on. In this case, see the scanner software installation instructions in Chapter 3, "Installing the Software" in your online Setup Guide to complete the setup procedure.

■ Power-off sequence

Keep the following in mind every time you turn off your computer, scanner, and other SCSI devices.

- When you are finished using your system, turn off your computer first, then the scanner and other SCSI devices in reverse order of the power-on sequence.
- While using your computer, do not turn off any SCSI device which has a terminator that is on.
- Do not turn the scanner off and back on while using your computer; otherwise the scanner may not work properly.

■ Connecting the scanner using the USB interface

To connect your scanner to your computer with the USB cable, your PC must be pre-installed with Windows Millennium Edition, 98, or 2000, and have a working USB port.

Your Apple Macintosh must be equipped with a PowerPC processor running Mac OS 8.5 or later, and have a working USB port.

Note for Macintosh Users:

Be sure to install the scanner software before connecting the scanner to your computer. For details, see Chapter 3, "Installing the Software" in your online Setup Guide.

■ Understanding USB connections

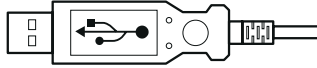
USB Cables

USB cables enable you to connect or remove peripherals to and from your computer easily, without having to shut down and restart the system each time a peripheral is plugged in or unplugged. You do not have to set an ID number or a terminator.

Note:

Do not connect or disconnect USB cables when the scanner is in use.

The connectors at each end of USB cables are different. The end that connects to your computer has a "Type A" connector, shown below:



The end that connects to your scanner has a "Type B" connector, shown below:



USB hubs

You can also use a USB hub, allowing you to increase the number of USB ports and therefore connect several devices to your computer at the same time.

Note:

If you connect your scanner through more than one hub, your system may not work properly. In this case, try connecting the scanner directly to the computer's USB port. Also, your system may not work properly if you use a USB cable other than that supplied by EPSON.

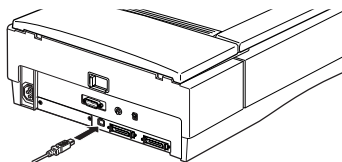
■ Connecting the scanner

Follow these steps to connect the scanner to your computer or USB hub.

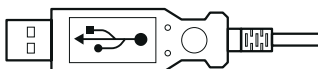
Note for Windows 98 users:

If you want to connect the scanner to a different USB port on your computer or hub after installing the scanner software, you must uninstall the scanner software before switching ports, then reinstall the software once the scanner is connected to the new port. Follow the instructions in "When changing the USB port in Windows 98" in your online Setup Guide.

1. Connect the end of the cable shown below to the USB port on the back of the scanner.



2. Connect the other end of the cable shown below to the USB port on your computer, or USB hub.



Note:

- *USB cables enable you to connect the scanner whether your computer is on or off. If you connect the scanner and turn it on while your computer is on and the scanner software is not yet installed, a dialog box or message prompting you to set up the device may appear on your screen. In this case, see the EPSON TWAIN Pro installation instructions in Chapter 3 of the online Setup Guide to complete the setup procedure.*
- *Connect the USB cable to your computer before installing or starting the scanner software. Do not connect or disconnect the USB cable while the scanner software is open.*
- *Make sure no other interface is used.*

■ Using the Online Manuals


The CD-ROM shipped with your scanner includes online manuals in PDF format (PDF = Portable Document Format). PDF files can be used on various platforms (e.g. Windows, Macintosh, Unix etc.) and are electronic manuals with the same layout, illustrations, tables etc. to be found in a printed manual. You can display the online manuals on your computer screen and print them on any connected printer, if required.

The following manuals are available:

- **Setup Guide**

The Setup Guide shows how to set up the scanner and install the scanner software and options. Also gives basic scanning instructions, including how to make scanner software settings and how to use the Start Button feature.

- **Reference Guide**

Provides tips for optimizing scanning and detailed information on the settings and functions of EPSON TWAIN Pro and EPSON TWAIN Pro Network. Also explains how to modify the operation of the scanner's  Start button.

In addition, this guide explains how to install the scanner options, and provides maintenance, troubleshooting, and customer support information.

To access these manuals you need to install the Adobe® Acrobat® Reader™ software, which is also provided on the CD-ROM.

Note:

The Adobe Acrobat Reader program is an easy-to-use application program for displaying and printing online manuals. It offers a wide range of features which allow you to use the online manuals without difficulty to find any desired information. You can read the information online on your computer screen or print it out for later reference. If you need complete information on the Adobe Acrobat Reader, refer to its online help.

If the Acrobat Reader is already installed on your system, you can skip the next section.

Note:

If you are not sure whether the Acrobat Reader is installed on your system, please contact your system administrator or double-click on the menu item for reading the online manual in the setup program. If the Adobe Acrobat Reader is not installed on your system, the manual will not open and an error message will be displayed.

■ Installing Adobe Acrobat Reader

1. Insert the EPSON Online manual CD-ROM into your computer's CD-ROM drive.

Windows:

The setup program on the CD-ROM will be started automatically and displays the start screen. If the setup program is not started automatically, click the **Start** button, then click **Run** and enter the command **E:\Start.exe** to start the setup program.

Note:

If your CD-ROM drive has a drive letter other than E, substitute the appropriate letter.

Macintosh:

Display the contents of the CD-ROM on your computer screen and branch to the Acrobat Reader folder.

2. Select the preferred language.

3. Windows:

Select **Online manuals**, followed by **Install Acrobat Reader** and follow the on-screen instructions.

Macintosh:

Start the **Installer** and follow the on-screen instructions.

After the Acrobat Reader has been installed on your system, you can access the online manuals.

■ Accessing the online manuals

The setup program on the CD-ROM offers two possibilities to access the online manuals: from the CD-ROM or from your computer hard disk.

Note:

Before you can access the online manuals from your hard disk, you first have to install them on the hard disk.

1. Insert the EPSON Online manual CD-ROM into your computer's CD-ROM drive.

Windows:

The setup program on the CD-ROM will be started automatically and displays the start screen. If the setup program is not started automatically, click the **Start** button, then click **Run** and enter the command **E:\Start.exe** to start the setup program.

Note:

If your CD-ROM drive has a drive letter other than E, substitute the appropriate letter.

Macintosh:

Display the contents of the CD-ROM on your computer screen and branch to the Acrobat Reader folder.

2. Select the preferred language.

3. Windows:

Select **Online manuals**. The setup program displays the names of the available online manuals. Select the preferred online manual.

- Select **manual name - Read** if you wish to open the manual from the CD-ROM. The Acrobat Reader will be started automatically and the online manual opened.
- If you wish to copy the online manuals to your system's hard disk, select **manual name - PC installation**.

Note:

You can delete the manuals from the hard disk at a later date if required.

Once the manuals have been installed on the hard disk, proceed as follows: Click the **Start** button, point to **Programs**, then point to **EPSON**. Click on the name of an online manual. The Acrobat Reader will be started automatically and the online manual opened.

Macintosh:

Start the **Installer** and double-click on the preferred online manual to open the manual from the CD-ROM. To install the online manual on your computer's hard disk, select the manual and drag it onto your computer's desktop.

■ Customer Support

EPSON's Service and Support hotline is available should you require urgent help. You will find the telephone number and further important information for your country in the Service and Support brochure provided with your scanner.