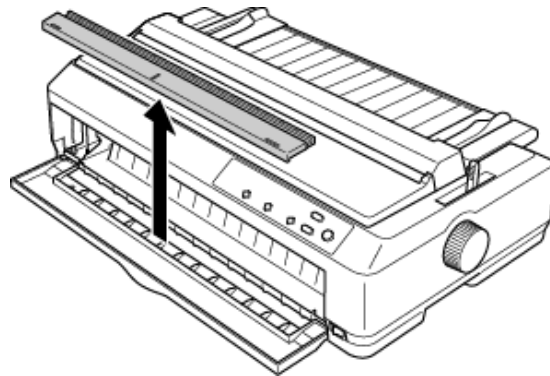


Notice

****About the front sub cover (LQ-2090 users only)***

The front sub cover is included on the front cover as standard equipment. If you want to load the paper from the front slot, you need to remove it before loading the paper.



Note:

If you have difficulty removing the front sub cover, temporarily removing the front cover from the printer may make it easier to remove the front sub cover.

Be sure to reattach the front sub cover when printing from a different paper source.

****About the Low-noise mode***

The menu called “Low-noise mode” is on the default setting menu (next to the menu of “Roll Paper”). If you set this mode to ON, you can reduce noise however the print speed is also reduced by half. To change the default setting, see “Changing default settings” in the *Reference Guide*.

Note:

The default setting for this mode is off.