

Paper Jam Guide



Warnings must be followed carefully to avoid bodily injury.

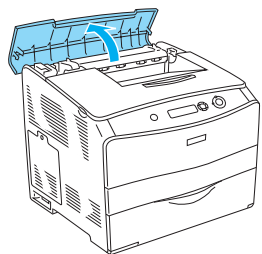
Notes contain important information and useful tips on the operation of your printer.

When the LCD panel displays the Jam WWWW error message, choose the appropriate description to clear the jammed paper.

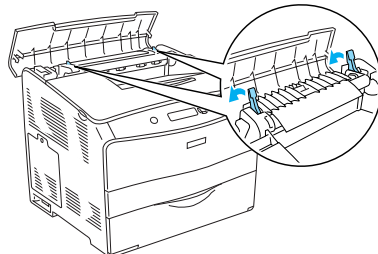
For more information, see the Online Reference Guide.

Jam C (cover C)

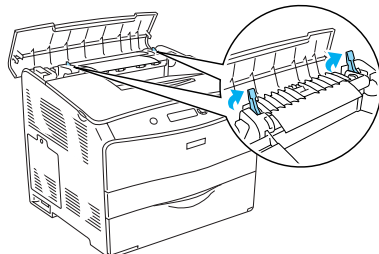
1



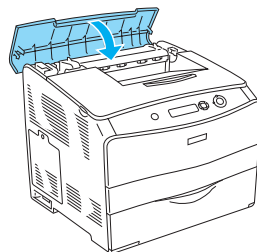
4



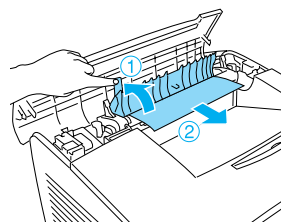
2



5



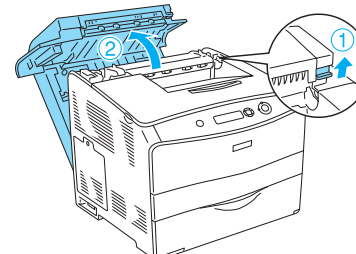
3



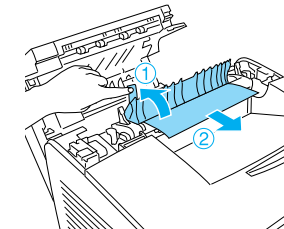
Warning: Be careful not to touch the fuser, which is marked CAUTION HIGH TEMPERATURE, or the surrounding areas. If the printer has been in use, the fuser and the surrounding areas may be very hot.

Jam D (cover D)

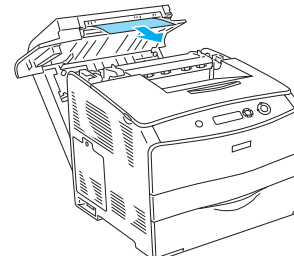
1



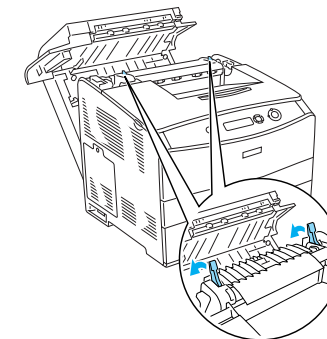
4



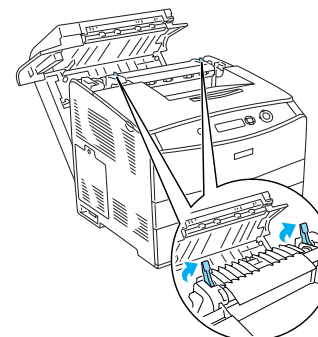
2



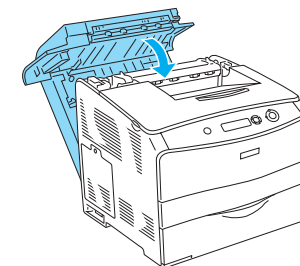
5



3



6



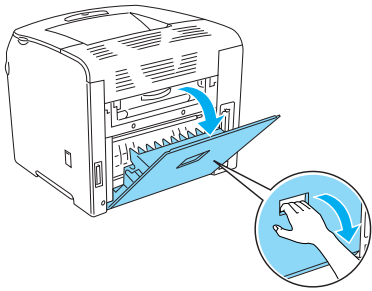
Note: When jammed paper cannot be found, proceed to the next step.



Warning: Be careful not to touch the fuser, which is marked CAUTION HIGH TEMPERATURE, or the surrounding areas. If the printer has been in use, the fuser and the surrounding areas may be very hot.

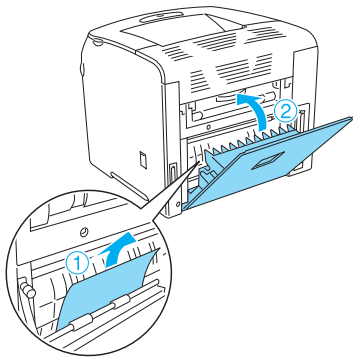
Jam E (cover E)

1



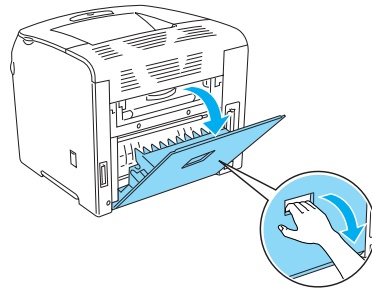
Note:
When the optional Duplex Unit is installed, open cover D first.

2



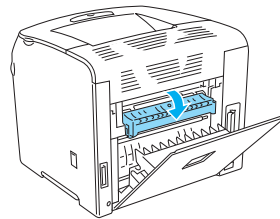
Jam F (cover F)

1

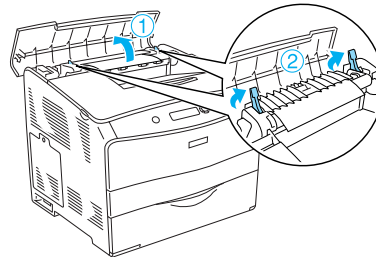


Note:
When the optional Duplex Unit is installed, open cover D first.

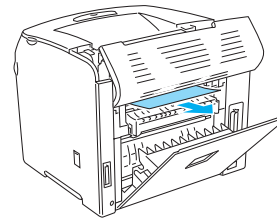
2



3

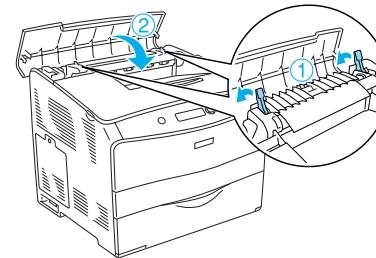


4

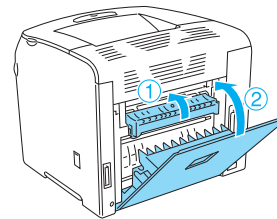


Note:
When hard to see the jammed paper, the jam occurs inside of the printer. In such case, gently pull the paper until the position illustrated as above, then slowly pull out the paper.

5



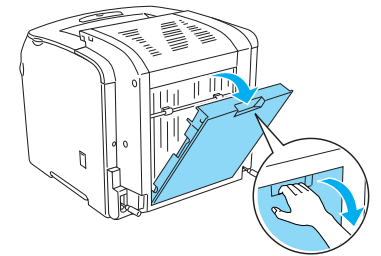
6



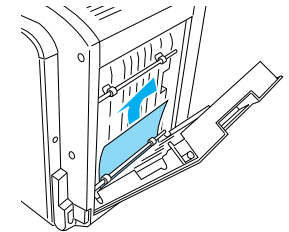
Note:
When the optional Duplex Unit is installed, close cover D last.

Jam DM (cover DM)

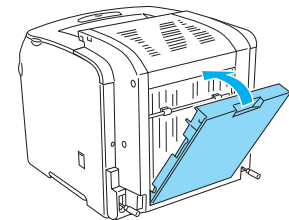
1



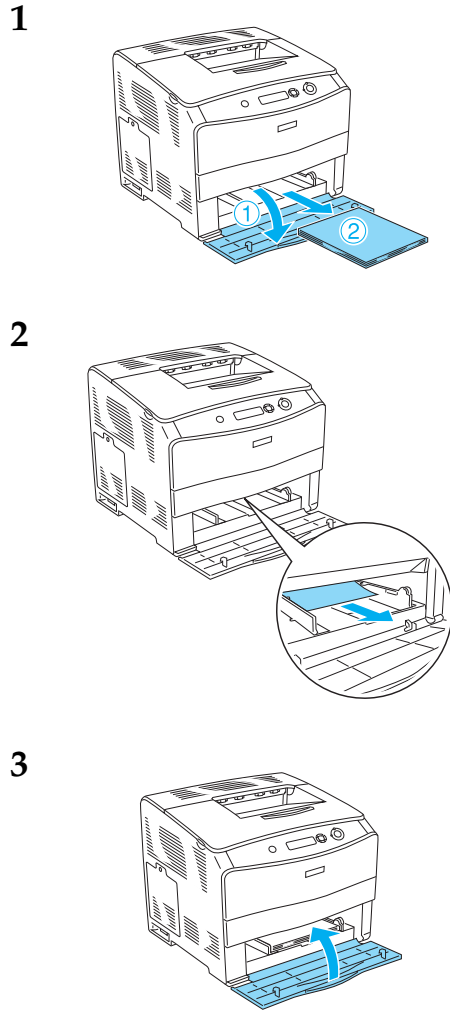
2



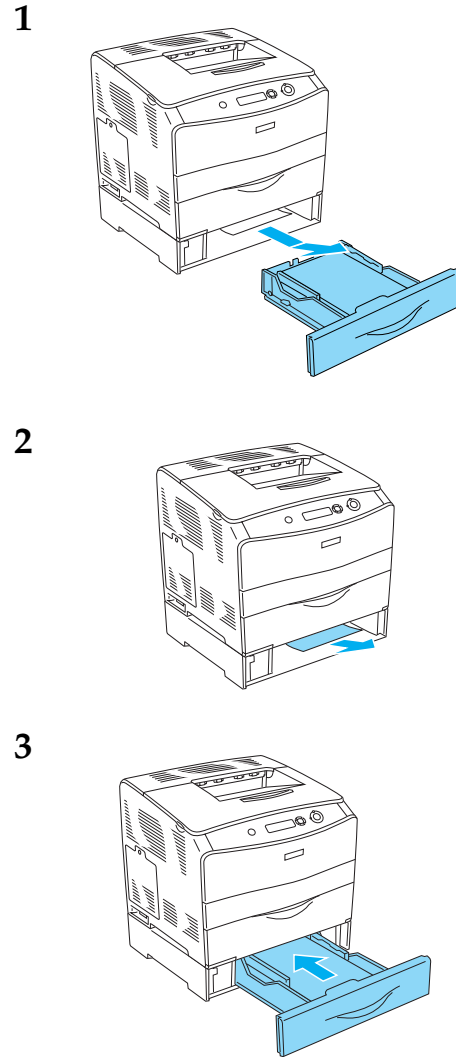
3



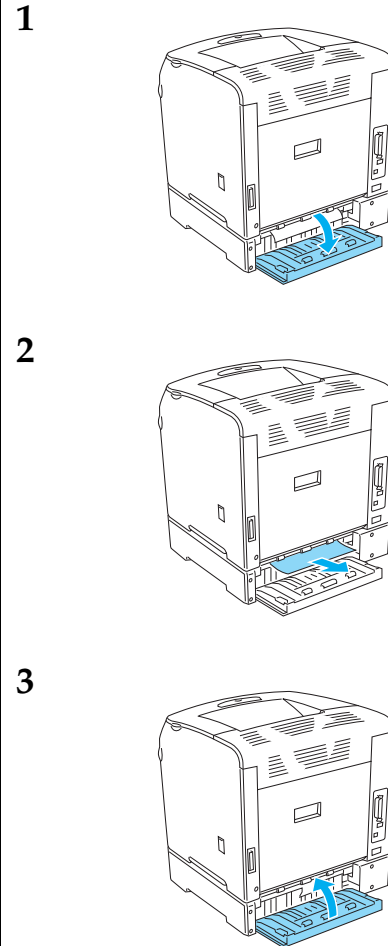
Jam MP (MP tray)



Jam LC (paper cassette)



Jam G (cover G)



When transparencies are jammed at the MP tray

