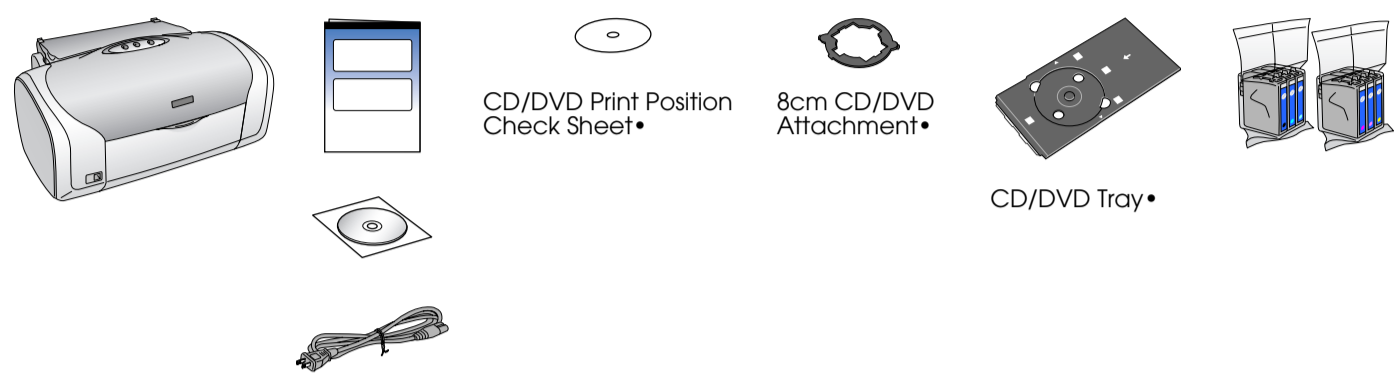


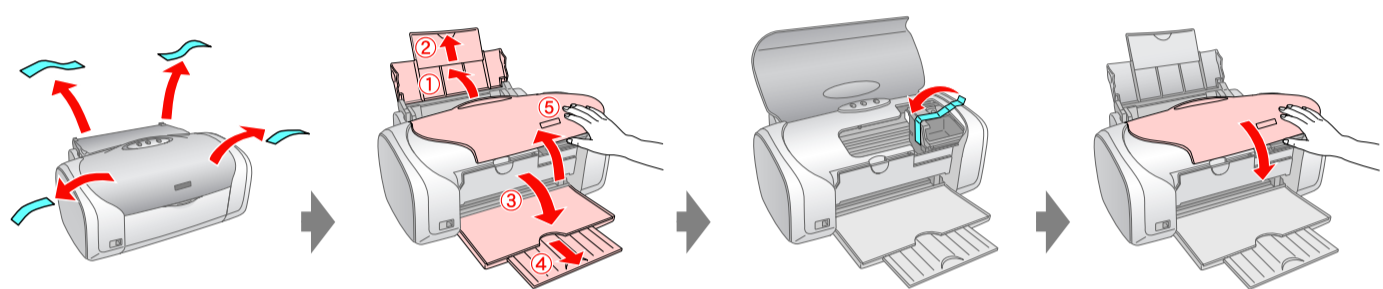
EPSON STYLUS™ PHOTO R220

Start Here•

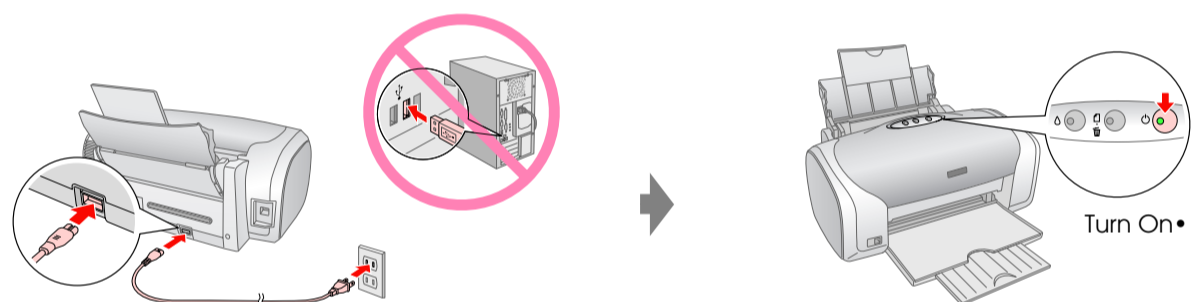
1. Unpacking•



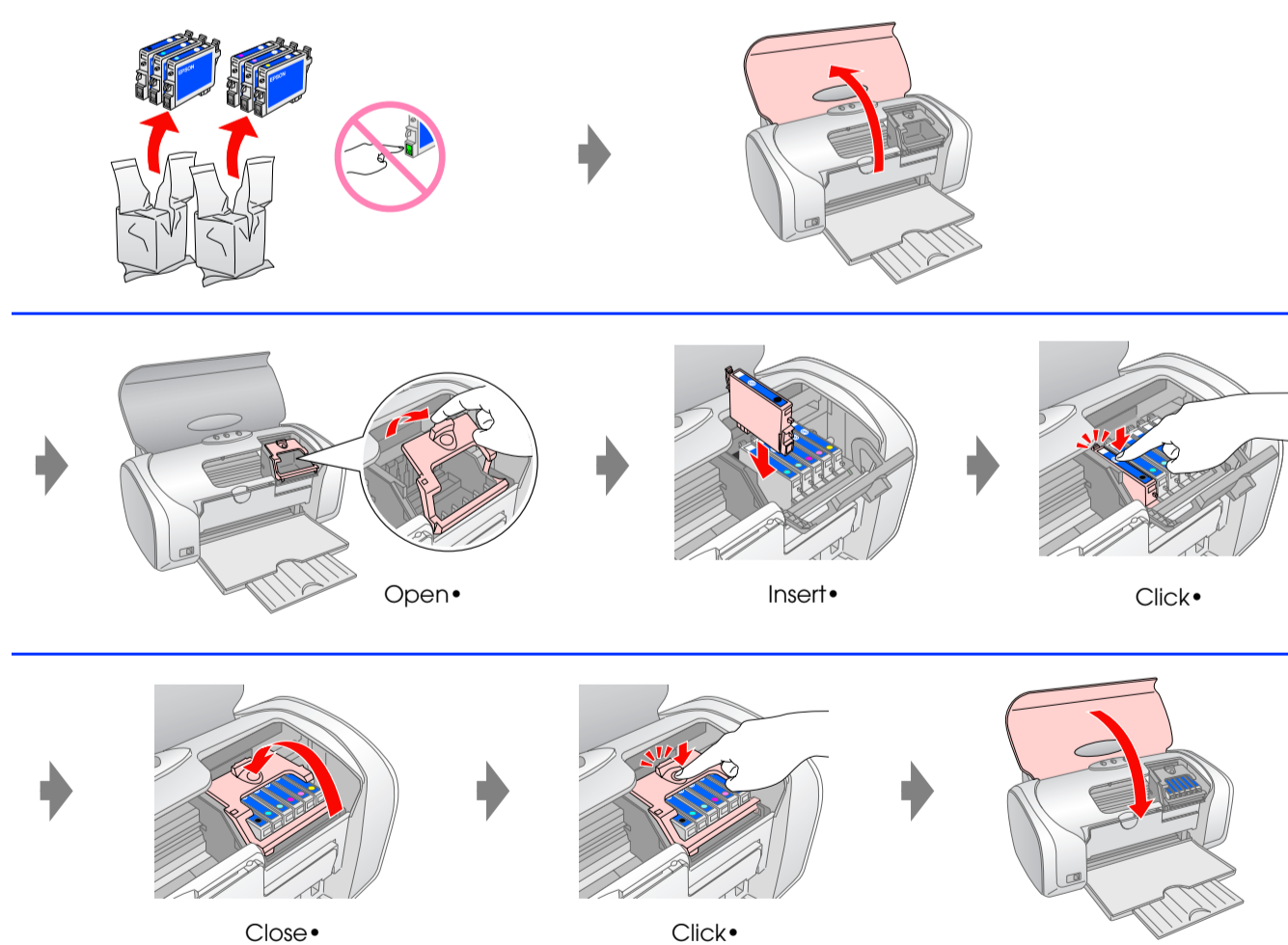
2. Removing the Protective Tape•



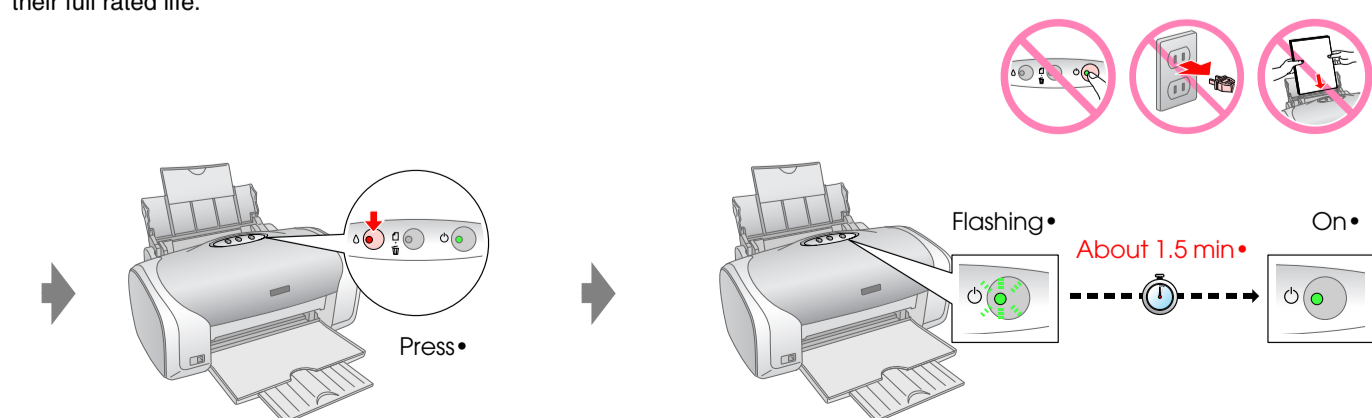
3. Plugging in•



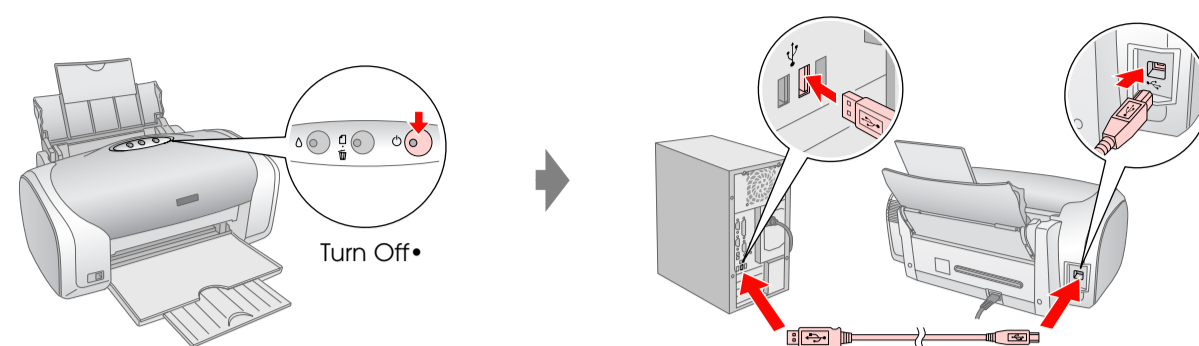
4. Installing the Ink Cartridges•



Note:
The ink cartridges first installed in your printer will be partly used to charge the print head. Subsequent ink cartridges will last for their full rated life.

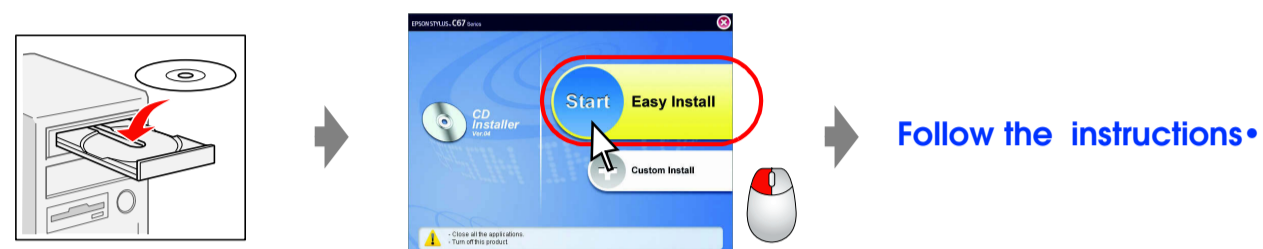


5. Connecting to a Computer with a USB Cable•



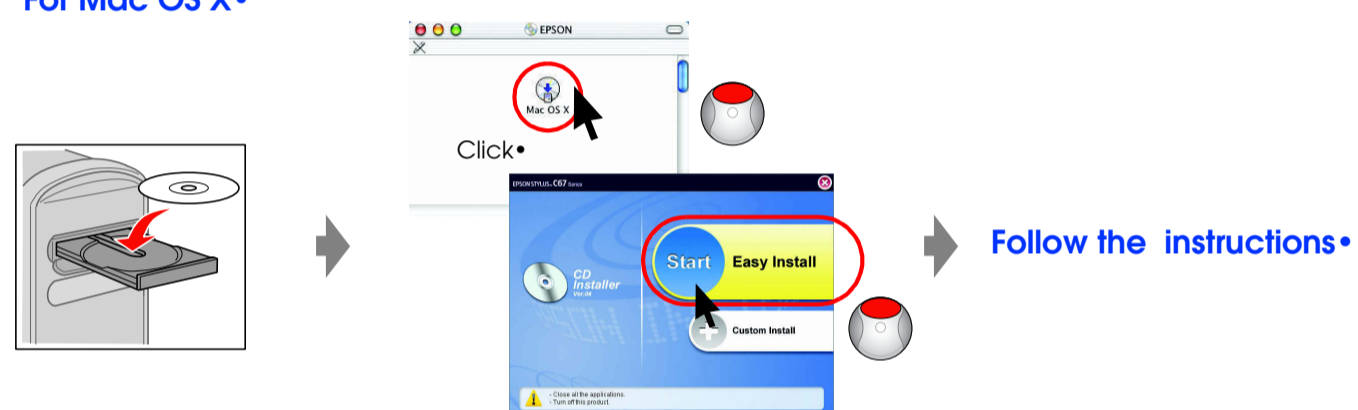
6. Installing the Software•

For Windows•



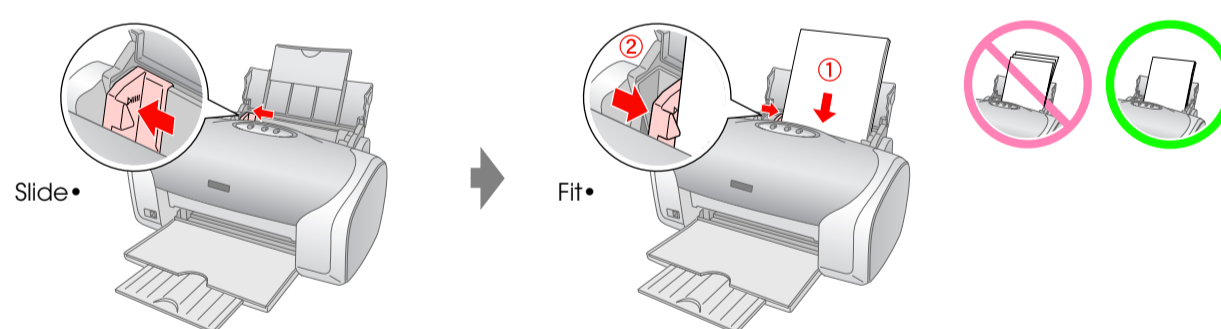
No dialog box? → Double-click CD-ROM icon.

For Mac OS X•



For Mac OS 9, download the driver. → <http://www.epson.com>

7. Loading Paper•



8. Getting More Information•

