

Setup Guide

Provides you with information on assembling the printer and installing the printer software.

Reference Guide (this manual)

Provides you with detailed information on the printer's functions, optional products, maintenance, troubleshooting, and technical specifications.

Administrator Guide

Provides network administrators with information on both the printer driver and network settings.

Color Laser Printer

EPSON AcuLaser™ C8600

All rights reserved. No part of this publication may be reproduced, stored in a retrieval system, or transmitted in any form or by any means, mechanical, photocopying, recording, or otherwise, without the prior written permission of SEIKO EPSON CORPORATION. No patent liability is assumed with respect to the use of the information contained herein. Neither is any liability assumed for damages resulting from the use of the information contained herein.

Neither SEIKO EPSON CORPORATION nor its affiliates shall be liable to the purchaser of this product or third parties for damages, losses, costs, or expenses incurred by purchaser or third parties as a result of: accident, misuse, or abuse of this product or unauthorized modifications, repairs, or alterations to this product, or (excluding the U.S.) failure to strictly comply with SEIKO EPSON CORPORATION's operating and maintenance instructions.

SEIKO EPSON CORPORATION shall not be liable against any damages or problems arising from the use of any options or any consumable products other than those designated as Original EPSON Products or EPSON Approved Products by SEIKO EPSON CORPORATION.

EPSON and EPSON ESC/P are registered trademarks and EPSON ESC/P 2 is a trademark of SEIKO EPSON CORPORATION.

General Notice: Other product names used herein are for identification purposes only and may be trademarks of their respective owners. EPSON disclaims any and all rights in those marks.

Copyright © 2002 by SEIKO EPSON CORPORATION, Nagano, Japan

Reference Guide

Contents

Chapter 1 **Product Information**

Printer Parts	14
Options and Consumable Products	16
Options	16
Consumable products	17
About Your Printer	18
Reserve Job function	19
HDD Form Overlay function	19
Pre-defined color settings in printer driver	19
Duplex printing	20
Resolution Improvement Technology (RITech)	20

Chapter 2 **Paper Handling**

Available Paper	21
EPSON special media	21
General paper	23
Paper that should not be used	24
Paper Sources	25
MP tray	26
Standard lower cassette	27
250-Sheet Paper Cassette A3W	27
500-Sheet Paper Cassette Unit	28
Large Capacity Paper Cassette Unit	29
Selecting a paper source	29
Output Trays	32
Face-up tray	32
Face-down tray	33
How to select an output tray and optional lower cassette	34
Loading Paper	34
MP tray	35
Standard and Optional Lower Cassettes	38

Printing on Special Media	42
EPSON Color Laser Paper	42
EPSON Color Laser Coated Paper	43
EPSON Color Laser Transparencies	44
Envelopes	45
Labels	47
Thick paper/Extra-thick paper	48
Loading an uncommon size paper	48

Chapter 3 Using the Printer Software with Windows

About the Printer Software	51
Accessing the Printer Driver	51
Making Changes to Printer Settings	52
Making the print quality setting	52
Resizing printouts	58
Modifying the print layout	60
Using a watermark	63
Using an overlay	66
Using HDD form overlay	72
Duplex printing	76
Making Extended Settings	79
Using the Reserve Job Function	82
Re-Print Job	84
Verify Job	85
Stored Job	86
Confidential Job	87
Monitoring Your Printer by Using EPSON Status Monitor 3	89
About EPSON Status Monitor 3	89
Installing EPSON Status Monitor 3	89
Accessing EPSON Status Monitor 3	91
Getting printer status details	93
Using the Job Management function	94
Setting Monitoring Preferences	98
Status Alert window	100
Stopping monitoring	100
Setting Monitored Printers	101
Setting for the USB Connection	101

Canceling Printing	103
Uninstalling the Printer Software	104
Uninstalling the printer driver and EPSON Status Monitor 3	104
Uninstalling EPSON Status Monitor 3 only	107

Chapter 4 Setting Up Your Printer on a Network

Sharing the Printer	111
Setting up Your Printer as a Shared Printer	112
Using an Additional Driver	114
Setting for the clients	119
With Windows Me/98/95.	120
With Windows 2000/XP	122
With Windows NT 4.0.	125
Installing the Printer Driver from the CD-ROM	127

Chapter 5 Using the Printer Software with Macintosh

About the Printer Software	129
Accessing the Printer Driver.	129
Making Changes to Printer Settings.	130
Making the print quality setting.	130
Resizing printouts.	135
Modifying the print layout	136
Using a watermark	139
Printing with the Duplex Unit	145
Making Extended Settings	146
Using the Reserve Job Function	148
Re-Print Job	150
Verify Job	151
Stored Job	152
Confidential Job	153
Monitoring Your Printer by using EPSON Status Monitor 3	155
About EPSON Status Monitor 3	155
Accessing the EPSON Status Monitor 3	155
Getting printer status details.	156

Setting Monitoring Preferences	158
Status Alert window	159
Using the Job Management function	159
Setting for the USB connection.	161
Canceling Printing.	163
Uninstalling the Printer Software.	163

Chapter 6 Functions of the Control Panel

Control Panel Operation	165
Using the Control Panel Menus	167
When to make control panel settings	167
How to access the control panel menus	167
Printing and Deleting Reserve Job Data.	170
Using the Quick Print Job Menu	170
Using the Confidential Job Menu	171
Control Panel Menus	172
Control panel menu summary.	172
Information Menu	174
Tray Menu.	177
Emulation Menu	179
Printing Menu	179
Setup Menu	182
Quick Print Job Menu	187
Confidential Job Menu	187
Reset Menu	188
Parallel Menu	189
USB Menu	190
LJ4 Menu	192
GL2 Menu.	195
PS3 Menu.	197
ESCP2 Menu	198
FX Menu	201
I239X Menu	203

Chapter 7 Using Options

250-Sheet Paper Cassette A3W	207
Installing the 250-Sheet Paper Cassette A3W	207
Removing the 250-Sheet Paper Cassette A3W	209
500-Sheet Paper Cassette Unit	209
Installing the 500-Sheet Paper Cassette Unit	210
Removing the 500-Sheet Paper Cassette Unit	210
Large Capacity Paper Unit	210
Installing the Large Capacity Paper Unit	212
Removing the Large Capacity Paper Unit	217
Duplex Unit	218
Installing the Duplex Unit	219
Removing the Duplex Unit	225
Hard Disk Drive	226
Installing the Hard Disk Drive	226
Reformatting the Hard Disk Drive	231
Removing the Hard Disk Drive	232
Memory Module	235
Installing a memory module	236
Removing a memory module	240
Adobe PostScript 3 ROM Module	243
Installing the Adobe PostScript 3 ROM module	243
Removing the Adobe PostScript 3 ROM module	247
Interface Cards	250
Installing an interface card	250
Removing an interface card	253
Printing a Status Sheet	253

Chapter 8 Replacing Consumable Products

Replacement Messages	255
Precautions During Replacement	256
Toner Cartridge	257
Handling precautions	257
Replacing a toner cartridge	258
Photoconductor Unit	262
Handling precautions	262

Replacing the photoconductor unit	263
Waste Toner Collector	267
Handling precautions	267
Replacing the waste toner collector	268

Chapter 9 *Cleaning and Transporting the Printer*

Cleaning the Printer	271
Transporting the Printer	272

Chapter 10 *Troubleshooting*

Clearing Jammed Paper	277
Error messages for paper jams	277
Precautions for clearing jammed paper	280
Paper Jam - the Lower Cassette	280
Paper Jam - MP tray	282
Paper Jam - Cover A (Jam A)	283
Paper Jam - Cover B (Jam B)	285
Paper Jam - Unit C (Jam C)	288
Paper Jam - Cover D (Jam D)	292
Paper Jam - Cover E (Jam E)	293
Paper Jam - Cover F (Jam F)	295
Paper Jam - Unit G (Jam G)	296
Operational problems	299
The Ready light does not turn on when you turn the printer on	299
The printer does not print and the Ready light is off	299
The Ready light is on but nothing prints	299
Printout problems	301
The font selected in the application software will not print	301
Some or all of the printout is garbled	301
The position of the printout is not correct	303
Graphics don't print correctly	303
The printed surface is rough when duplex printing on coated paper	303

Color Printing Problems	304
Cannot print in color	304
The printout color differs when printed from different printers	304
The color looks different from what you see on the computer screen	305
Print quality problems	305
The background is dark or dirty	305
Black or white bands appear in the printout	307
White dots appear in the printout where the toner density is high	307
Print quality is uneven on the page	307
Print quality is uneven on thick or coated paper	308
Half-tone images print unevenly	308
Toner smudges	308
Areas are missing in the printed image	310
Completely blank pages are output	310
The printed image is light or faint	312
The non-printed side of the page is dirty	312
Memory Problems	312
The message <code>Collate was disabled</code> appears on the LCD panel	312
The message <code>Duplex Mem Overflow</code> appears on the LCD panel	314
The message <code>Image Optimum</code> appears on the LCD panel	314
The message <code>Mem Overflow</code> appears on the LCD panel	314
The message <code>Need Memory</code> appears on the LCD panel	315
The message <code>Print Overrun</code> appears on the LCD panel	315
Paper handling problems	316
Paper does not feed from the proper paper source	316
Status and Error Messages	316
Canceling Printing	331
Using the printer driver	332
Using the control panel	332
Using the Job Cancel button	332
Using the Reset Menu	332

Appendix A Technical Specifications

Paper	335
Available paper types	336
Paper type specifications	337
Printable area	340
Printer	341
General	341
Environmental	343
Safety approvals	343
Mechanical	346
Electrical	346
Interfaces	347
Parallel interface	347
USB interface	347
Ethernet interface	347
Options and Consumables	348
250-Sheet Paper Cassette A3W	348
500-Sheet Paper Cassette Unit	348
Large Capacity Paper Unit	350
Duplex Unit	350
Memory module	351
IEEE 1394 Interface (for Macintosh only)	352
Hard Disk Drive	352
Toner cartridges	352
Photoconductor unit	353
Waste toner collector	353

Appendix B Symbol Sets

Introduction to Symbol Sets	355
In the LJ4 Emulation Mode	356
International character sets for ISO	358
In the ESC/P2 or FX Modes	359
International character sets	360
Characters available with the ESC (^ command)	361
In the I239X Emulation Mode	361
In the EPSON GL/2 Mode	362

Appendix C Working with Fonts

Available Fonts	363
LJ4/GL2 mode	363
ESC/P 2 and FX modes	366
I239X mode	366
Printing font samples	367
Adding More Fonts	368
Selecting Fonts	368
Downloading Fonts	368
EPSON Font Manager (Windows Only)	369
Installing EPSON Font Manager	369
EPSON BarCode Fonts (Windows Only)	370
System requirements	372
Installing EPSON BarCode Fonts	373
Printing with EPSON BarCode Fonts	374
BarCode Font specifications	378

Appendix D Contacting Customer Support

For North American users	392
For Latin American users	393
For European Users	394
For United Kingdom and the Republic of Ireland Users	394
For Users in Germany	396
France	396
Spain	396
Italy	397
Portugal	397
Austria	397
Netherlands	397
Belgium & Luxemburg	398
Switzerland	398

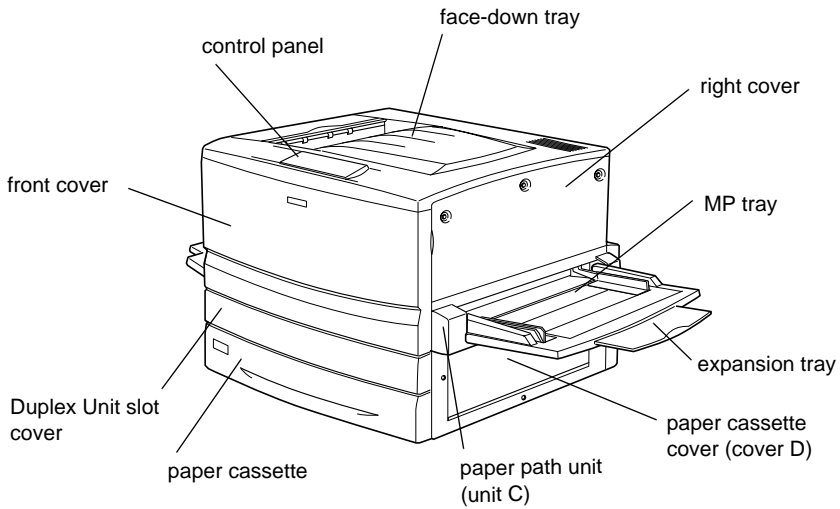
Appendix E Notice for Windows XP Users

Glossary

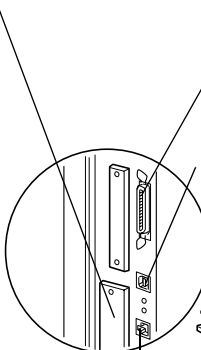
Chapter 1

Product Information

Printer Parts



Type B Interface card slot cover



parallel interface connector

USB interface

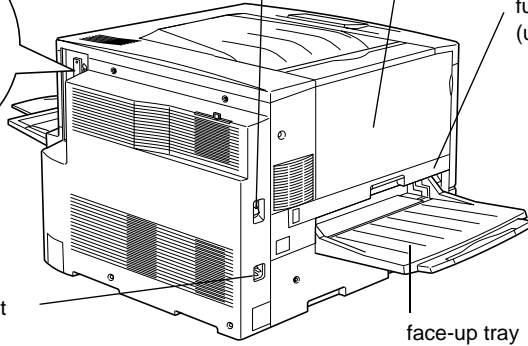
Ethernet interface connector

AC inlet

output path cover (cover A)

power switch

fuser unit (unit B)



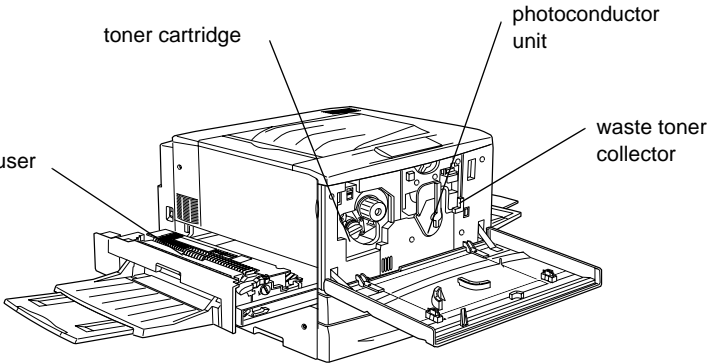
face-up tray

toner cartridge

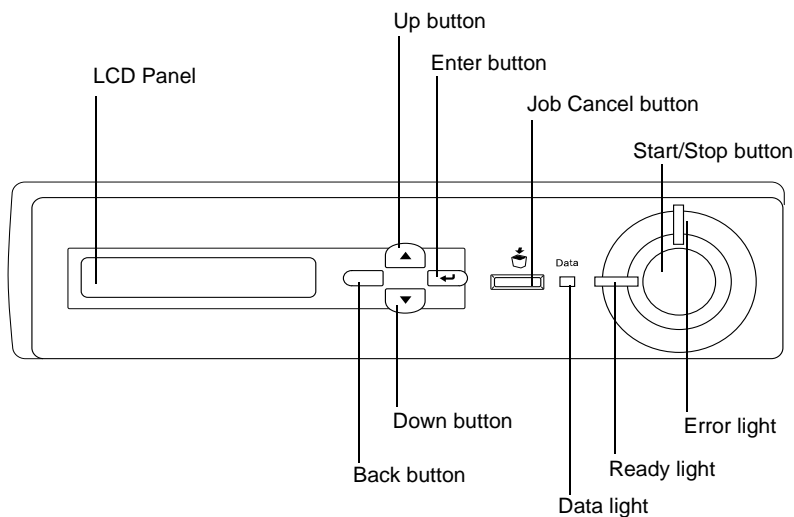
photoconductor unit

fuser

waste toner collector



Control panel



Options and Consumable Products

Options

You can add to your printer's capabilities by installing any of the following options:

- ❑ The 250-Sheet Paper Cassette A3W (C813521) accommodates 250 sheets of A3W-size paper.
- ❑ The 500-Sheet Paper Cassette Unit (C12C813871) holds one paper cassette. It increases paper-feeding capacity up to 500 sheets of paper.
- ❑ The Large Capacity Paper Unit (C12C813891) holds two paper cassettes. It increases paper-feeding capacity up to 1,000 sheets of paper.

- ❑ The Duplex Unit (C12C813881) provides for automatic printing on both sides of the paper.
- ❑ The Hard Disk Drive (C12C823921) expands the printer's capacity by allowing you to print complex and large print jobs at high speed.
- ❑ An optional memory module expands your printer's memory, allowing you to print complex and graphics-intensive documents.
- ❑ The Adobe® PostScript® 3™ ROM Module (C12C83249*) generates crisp PostScript output. It cannot be used for a Macintosh® connected with an IEEE 1394 Type B Interface Card.
- ❑ The IEEE 1394 Type B Interface Card (C12C82372*) can be used for Macintosh users. It can be connected to a Macintosh FireWire® port.

Note:

The asterisk () is a substitute for the last digit of the product number, which varies by country.*

Consumable products

The life of the following consumable products is monitored by the printer. The printer lets you know when replacements are needed.

Toner Cartridge (Black)	S050038/S050082
Toner Cartridge (Yellow)	S050039/S050079
Toner Cartridge (Magenta)	S050040/S050080
Toner Cartridge (Cyan)	S050041/S050081
Photoconductor Unit	S051082
(includes the waste toner collector)	
Waste Toner Collector	S050020

The EPSON special media listed below provide you with the best-quality printouts.

EPSON Color Laser Paper (A4)	S041215
EPSON Color Laser Paper (A3)	S041216
EPSON Color Laser Paper (A3W)	S041217
EPSON Color Laser Paper (Letter)	S041218
EPSON Color Laser Transparencies (A4)	S041175
EPSON Color Laser Transparencies (Letter)	S041174
EPSON Color Laser Coated Paper (A4)	S041383
EPSON Color Laser Coated Paper (A3)	S041384



Caution:

- ❑ *Do not use other EPSON media such as EPSON special media for ink jet printers, as they can cause paper jams and damage the printer.*

- ❑ *Do not use the media listed above in any other printers, except when specified in the documentation.*

About Your Printer

The printer comes with a full set of features that contributes to ease of use and consistent, high-quality output. The main features are described below.

Reserve Job function

The Reserve Job function lets you store a print job on the printer's Hard Disk Drive and reprint it directly from the printer's control panel at any time without using your computer. You can also print one copy in order to verify the content before printing multiple copies. If the content of the print job is confidential, you can set a password to limit access to it. For more information, see "Using the Reserve Job Function" on page 82 for Windows, or "Using the Reserve Job Function" on page 148 for Macintosh.

Note:

You need an optional Hard Disk Drive installed in your printer in order to use the Reserve Job function.

HDD Form Overlay function

Enables faster printing with form overlays by allowing you to save the overlay data on the optional Hard Disk Drive instead of your computer. This feature is only available for Windows. For details, see "Using HDD form overlay" on page 72.

Pre-defined color settings in printer driver

The printer driver offers many pre-defined settings for color printing, allowing you to optimize print quality for various types of color documents.

For Windows, see "Using the predefined settings" on page 53. For Macintosh, see "Making the print quality setting" on page 130.

Duplex printing

EPSON provides optional Duplex Unit, allowing you to easily print on both sides of the page. You can produce professional quality double-sided documents. Use this feature with any print job to cut costs and save resources.

Resolution Improvement Technology (RITech)

Resolution Improvement Technology (RITech) is an original EPSON printer technology that improves the appearance of printed lines, text, and graphics. RITech is also applied to color printing.

Chapter 2

Paper Handling

Available Paper

This section explains what kind of paper you can use with your printer. Avoid using paper not mentioned in this section.

Note:

The printer is extremely sensitive to moisture. Be sure to store your paper in a dry environment.

EPSON special media

EPSON provides special media that are created especially for this printer.

EPSON Color Laser Paper

This media is designed specifically for this printer. You can load this media from the MP tray, the standard lower cassette, the optional 250-Sheet Paper Cassette A3W, the optional 500-Sheet Paper Cassette Unit, or the optional Large Capacity Paper Unit.

S041215 (A4)

S041216 (A3)

S041217 (A3W)

S041218 (Letter)

EPSON Color Laser Transparencies

This media is designed specifically for this printer. You can load this media only from the MP tray.

S041175 (A4)

S041174 (Letter)



Caution:

- Do not use other EPSON media such as EPSON special media for ink jet printers, as they can cause paper jams and damage the printer.*

- Do not use the media listed above in any other printers, except when specified in the documentation.*

EPSON Color Laser Coated Paper

EPSON Color Laser Coated Paper is designed specifically for this printer. This media is thicker than EPSON Color Laser Paper and produces glossier and higher quality printing. To print on EPSON Color Laser Coated Paper, choose Coated or Coated (Back) as the Paper Type setting. This setting is optimized for printing on coated paper, but paper can only be fed from the MP tray. If you want to feed coated paper from the standard lower cassette, the optional 500-Sheet Paper Cassette Unit, or the optional Large Capacity Paper Unit, set the Paper Type setting to Plain. However, this setting produces printouts that are inferior in quality to those printed with the Coated or Coated (Back) setting.

S041383 (A4)

S041384 (A3)

Note:

- Coated and Coated (Back) appear in the Basic Setting dialog box when the Add Coated to the Paper Type settings check box is selected in the Extended Settings dialog box accessed through the Optional Settings menu in the printer driver for Windows. For Macintosh, click the Extended Settings icon in the Basic Settings dialog box to open the Extended Settings dialog box.*

- ❑ *Duplex printing using the optional Duplex Unit is not possible when Coated or Coated (Back) is selected as the Paper Type setting in the printer driver.*

General paper

You can use the following paper in addition to the EPSON special media introduced in the previous section.

Paper Type	Description
Plain paper	Recycled paper is acceptable.* Weight: 64 to 105 g/m ² (17 to 28 lb)
Envelopes	No paste and no tape No plastic window (unless specifically designed for laser printers)
Labels	The backing sheet should be covered completely, with no gaps between labels.**
Thick paper	Weight: 106 to 250 g/m ²
Colored paper	Non-coated

* Use recycled paper only under normal temperature and humidity conditions. Poor quality paper may reduce print quality, cause paper jams and other problems.

** Gaps between labels may cause the labels to peel off inside the printer and damage the printer.

Note:

- ❑ *Since the quality of any particular brand or type of media may be changed by the manufacturer at any time, EPSON cannot guarantee the quality of any type of media. Always test samples of media stock before purchasing large quantities or printing large jobs.*
- ❑ *You may use paper with preprinted letterheads, provided that the paper and ink are both compatible with laser printers.*

Paper that should not be used

You cannot use the following paper in this printer. It may cause printer damage, paper jams, and poor print quality.

- ❑ Media meant for other color laser printers, black-and-white laser printers, color copiers, black-and-white copiers, or ink jet printers
- ❑ Previously printed paper by any other color laser printers, black-and-white laser printers, color copiers, black-and-white copiers, ink jet printers, or thermal transfer printers
- ❑ Carbon paper, no-carbon paper, thermal-sensitive paper, pressure-sensitive paper, acid paper, or paper that uses high-temperature-sensitive ink (around 150°C)
- ❑ Labels that peel easily or labels that do not cover the backing sheet completely
- ❑ Coated paper or special surface-colored paper, except EPSON Color Laser Coated Paper
- ❑ Paper that has binder holes or is perforated
- ❑ Paper that has glue, staples, paper clips, or tape on it
- ❑ Paper that attracts static electricity
- ❑ Moist or damp paper
- ❑ Paper of uneven thickness
- ❑ Overly thick or thin paper
- ❑ Paper that is too smooth or too rough
- ❑ Paper that is different on the front and back

- ❑ Paper that is folded, curled, wavy, or torn
- ❑ Paper of irregular shape, or paper that does not have right angle corners

Paper Sources

This section describes the combinations of paper sources and paper types that you can use.

MP tray

Paper Type	Paper Size	Capacity
Plain paper, EPSON Color Laser Paper	A3W*, A3*, A4, A5, B4*, B5, Letter (LT), Half-Letter (HLT), Legal (LG)*, Executive (EXE), International B5 (IB5) Government Legal (GLG)*, Government Letter (GLT), Ledger (B)*, F4* Custom-size paper: 90 × 139.7 mm minimum 328 × 453 mm maximum	Up to 150 sheets (Total thickness: less than 16 mm)
Envelopes	Monarch (MON), C10, DL, C6, C5	Up to 20 envelopes
Labels	90 × 139.7 mm minimum 328 × 453 mm maximum	Up to 75 sheets
Thick paper	90 × 139.7 mm minimum 328 × 453 mm maximum	Up to 75 sheets
EPSON Color Laser Transparencies	A4, Letter (LT)	Up to 75 sheets
EPSON Color Laser Coated Paper	A4, A3*	Up to 150 sheets

* These sizes should be loaded short edge first

Standard lower cassette

Paper Type	Paper Size	Capacity
Plain paper	A3*, A4, B4*, B5, Letter (LT), Legal (LG)*, Executive (EXE), Ledger (B)*	Up to 250 sheets (Total thickness: less than 26 mm)
EPSON Color Laser Paper	A3*, A4, Letter (LT)	Up to 250 sheets
EPSON Color Laser Coated Paper**	A3*, A4	Up to 250 sheets

* These sizes should be loaded short edge first.

** This media can be fed from this paper source only when Plain is selected as the Paper Type setting in the printer driver.

250-Sheet Paper Cassette A3W

Paper Type	Paper Size	Capacity
Plain paper	A3W* (328 × 453 mm)	Up to 250 sheets (Total thickness: less than 26 mm)
EPSON Color Laser Paper	A3W* (328 × 453 mm)	Up to 250 sheets

* A3W-size paper should be loaded short edge first.

500-Sheet Paper Cassette Unit

Paper Type	Paper Size	Capacity
Plain paper	A3*, A4, B4*, B5**, Letter (LT), Legal (LG)*, Executive (EXE)**, Ledger (B)*	Up to 500 sheets (Total thickness: less than 53 mm)
EPSON Color Laser Paper	A3*, A4, Letter (LT)	Up to 500 sheets
EPSON Color Laser Coated Paper***	A3*, A4	Up to 500 sheets

* These sizes should be loaded short edge first.

** Availability varies by country.

***This media can be fed from this paper source only when Plain is selected as the Paper Type setting in the printer driver.

Large Capacity Paper Cassette Unit

This unit has two paper cassettes. Each can be loaded with the following paper sizes:

Paper Type	Paper Size	Capacity
Plain paper	A3*, A4, B4*, B5**, Letter (LT), Legal (LG)*, Executive (EXE)**, Ledger (B)*	Up to 500 sheets in each cassette (Total thickness: less than 53 mm)
EPSON Color Laser Paper	A3*, A4, Letter (LT)	Up to 500 sheets in each cassette
EPSON Color Laser Coated Paper***	A3*, A4	Up to 500 sheets in each cassette

* These sizes should be loaded short edge first.

** Availability varies by country.

** This media can be fed from this paper source only when Plain is selected as the Paper Type setting in the printer driver.

Selecting a paper source

The following are the two ways of selecting the printer's paper source:

- Access the printer driver, click the **Basic Settings**, and select the paper source that you want to use from the Paper Source list. Then click OK.
- Access the printer's control panel and select the paper source that you want to use under the Paper Source setting. See "Setup Menu" on page 182.

Auto selection

If you select Auto Selection in the printer driver or Auto on the control panel, the paper source that contains paper matching the page size setting will be used.

When there is no paper in the selected paper source, the printer will search for a paper source containing the same-size paper in the following order:

Standard configuration:

MP tray

Lower Cassette 1* (standard lower cassette)

* Refers to the standard lower cassette or the optional 250-Sheet Paper Cassette A3W, depending on the configuration.

Note:

- If you make paper size settings or paper source settings in your application, these settings may override the printer driver settings.*
- You can change the priority order through the MP Mode setting in the Tray Menu. For details, see “Tray Menu” on page 177.*

With optional paper sources installed:

MP tray

Lower Cassette 1* (standard lower cassette)

Lower Cassette 2** (optional lower cassette)

Lower Cassette 3 *** (optional lower cassette)

* Refers to the standard paper cassette or the optional 250-Sheet Paper Cassette A3W, depending on the configuration.

** Refers to the optional 500-Sheet Paper Cassette Unit or the optional Large Capacity Paper Unit, depending on the configuration.

***Refers to the optional Large Capacity Paper Unit.

Note:

- If you make paper size settings or paper source settings in your application, these settings may override the printer driver settings.*

- ❑ *When you select an envelope for the Paper Size setting, it can be fed only from the MP tray regardless of the Paper Source setting.*
- ❑ *You can change the priority order through the MP Mode setting in the Setup Menu. For details, see “Setup Menu” on page 182.*


Manually loading paper

Follow these steps to load a single sheet of paper from the Manual Feed slot.

1. Insert a single sheet of paper, with the printable side up, as far as it will go into the MP tray. Adjust the paper guides to match the paper size you are using.

Note:

Load letterheads printable side up and with their letterhead toward the printer.

2. Make sure that the Manual Feed check box in your printer driver’s Basic Settings menu (Windows) or Basic Settings dialog box (Macintosh) is selected.
3. Send the print data from the computer. The Error and Ready lights on the control panel start flashing slowly.
4. Press the  Start/Stop button. The printer loads the paper from the MP tray.

Note:

*When you no longer need to feed paper manually, be sure to clear the **Manual Feed** check box in the printer driver’s Basic Settings menu (Windows) or Basic Settings dialog box (Macintosh).*

Output Trays

There are two output trays for printed paper stacks: the face-down tray and the face-up tray.

Note:

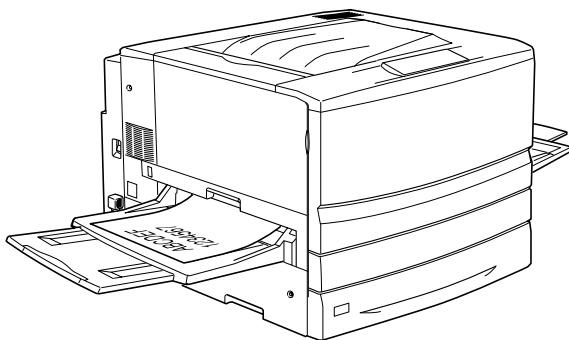
The face-down tray is the default output tray. To select the face-up tray as the output tray, see “How to select an output tray and optional lower cassette” on page 34.

Face-up tray

The face-up tray stacks your printouts with the printed surface facing up. You can use the face-up tray with the following types of paper:

Paper type: All paper types supported by this printer

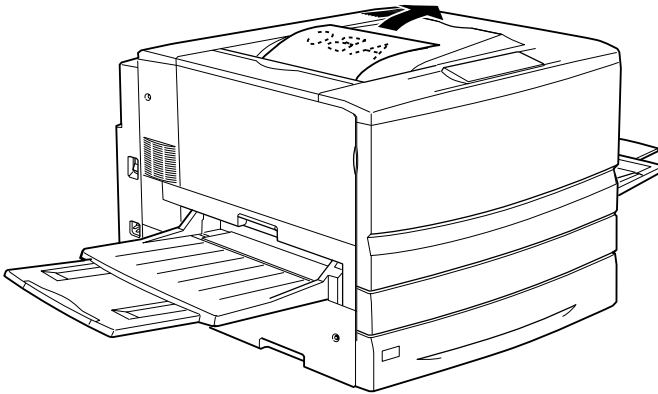
Capacity: Up to 150 sheets (A4 or smaller size paper)
Up to 50 sheets (Larger than A4 size paper)



You need to make the Reverse Order setting in the printer driver to output printouts onto the face-up tray. To make this setting, click the **Basic Settings**, select the **Reverse Order** check box, then click **OK**.

Face-down tray

The face-down tray is located on the top of the printer. Your printouts will be stacked facing down.



You can use the face-down tray with the following types of paper:

Paper type: Plain paper (minimum 210 mm width × 182 mm length),
EPSON Color Laser Paper, EPSON Color Laser Coated Paper

Capacity: Up to 250 sheets



Caution:

The following paper cannot be used with the face-down tray. Use the face-up tray instead.

- Plain paper smaller than 210 × 182 mm, such as A5 or Half-Letter size*
- EPSON Color Laser Transparencies*
- Envelopes*
- Thick paper*
- Labels*

How to select an output tray and optional lower cassette

There are two ways of specifying which output tray you want to use, the face-down tray or the face-up tray.

Using the printer driver:

Click the Basic Settings tab and select either Face-down Tray or Face-up Tray from the Output Tray setting. Then click OK.

Using the control panel:

Select Face-down (face-down tray) or Face-up (face-up tray) as the Out Bin setting in the Setup Menu.

Loading Paper

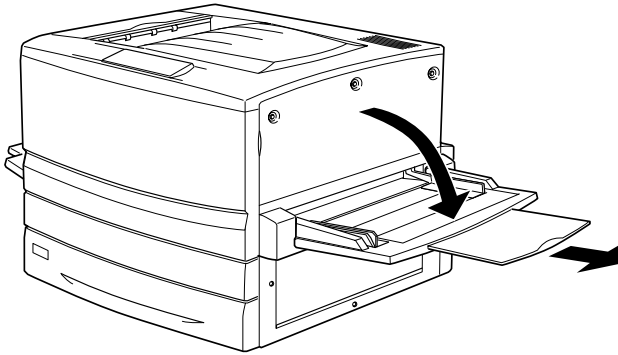
This section describes how to load paper into the MP tray, and the standard and optional lower cassettes. If you use special media such as EPSON Color Laser Transparencies or envelopes, see also “Printing on Special Media” on page 42.

MP tray

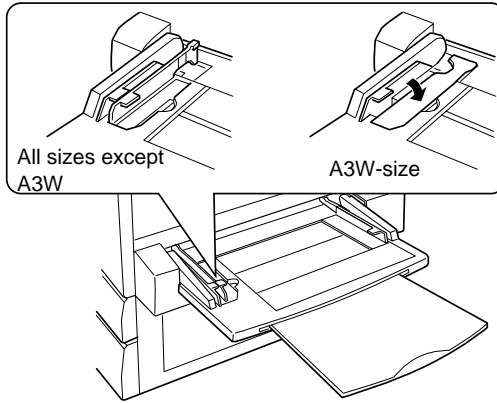
The MP tray is the most flexible paper source, accommodating various paper sizes and media types. It is also the paper source for feeding paper manually. See “MP tray” on page 26 for details.

Follow these steps to load paper into the MP tray.

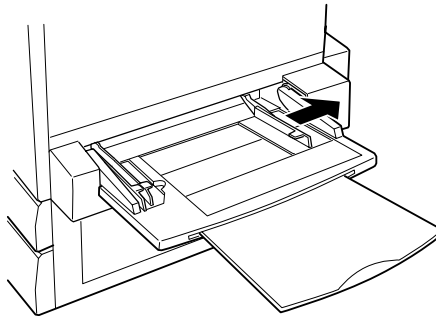
1. Open the MP tray, then extend the expansion tray on the MP tray to accommodate the size of the media you want to load.



2. If you want to load A3W-size paper, lay the left paper guide down. When loading media other than A3W-size paper, make sure the guide is standing up.

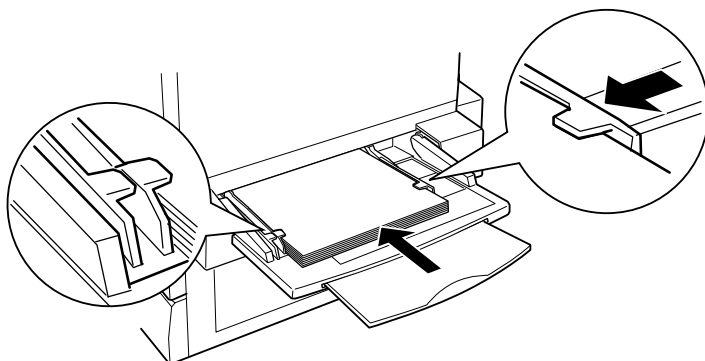


3. Slide the right paper guide all the way outward.

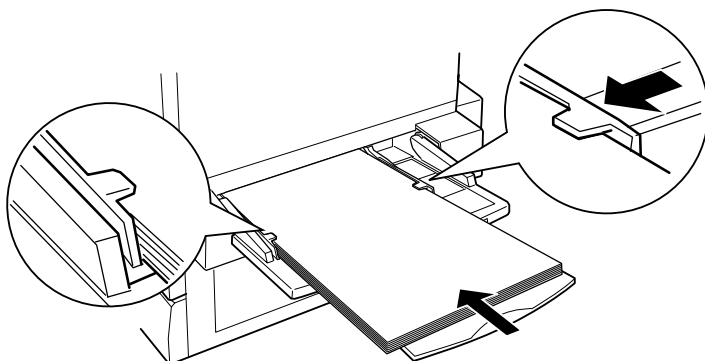


4. Load a stack of the desired media with the printable surface facing up. Then slide the right paper guide against the right side of the stack to obtain a snug fit.

All sizes except A3W:



A3W size:



5. Set the Paper Source and Paper Size settings to match the loaded media through the printer driver or the control panel.

Note:

- ❑ *To print on the back side of previously printed paper, use the MP tray. The optional Duplex Unit cannot be used for this purpose.*
- ❑ *When you output your printouts to the face-up tray, you need to change the Out Bin setting in the printer driver or in the Setup Menu.*

Standard and Optional Lower Cassettes

The paper-loading procedure is the same for the standard lower cassette, the optional 250-Sheet Paper Cassette A3W, the optional 500-Sheet Paper Cassette Unit, and the optional Large Capacity Paper Unit.

In addition to plain paper, you can also use special media such as EPSON Color Laser Paper in the standard lower cassette.

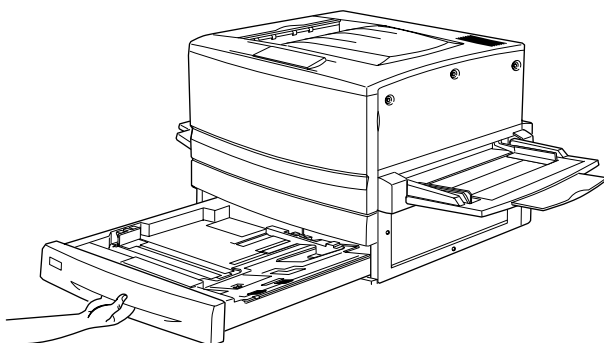
Note:

- ❑ *Use the included paper size labels to identify the size of paper being used in the cassettes.*

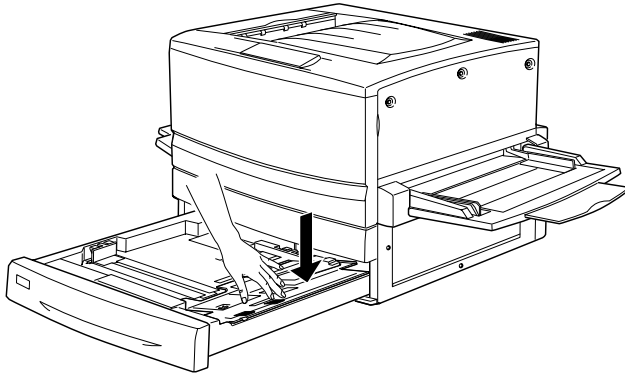
- ❑ *To use the optional 250-Sheet Paper Cassette A3W, the optional 500-Sheet Paper Cassette Unit, or the optional Large Capacity Paper Unit, select it in the printer driver's Option menu after installing it on the printer.*

Follow these steps to load paper into the standard and optional lower cassette. The illustrations are that for the standard lower cassette.

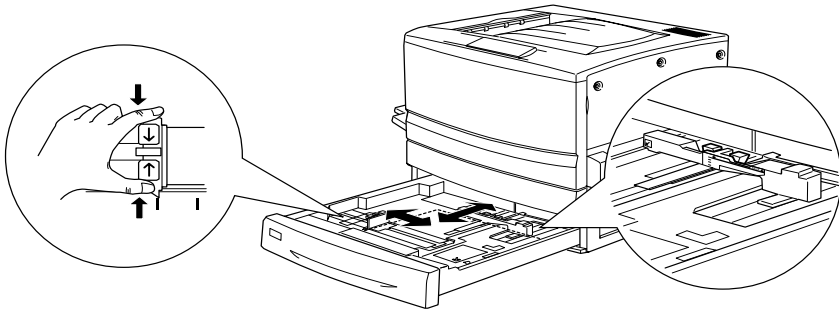
1. Pull the paper cassette out until it stops.



2. Press down on the metal plate in the cassette until it clicks into place.



3. Press on the side and back paper guides, to slide them outward.

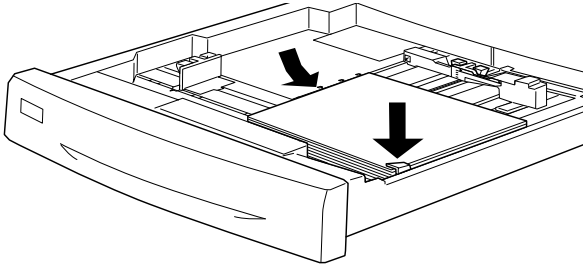


4. Fan a stack of paper and tap the edge of the stack.

Note:

If your printouts are curled or do not stack properly when using plain paper, try turning the stack over and reloading it.

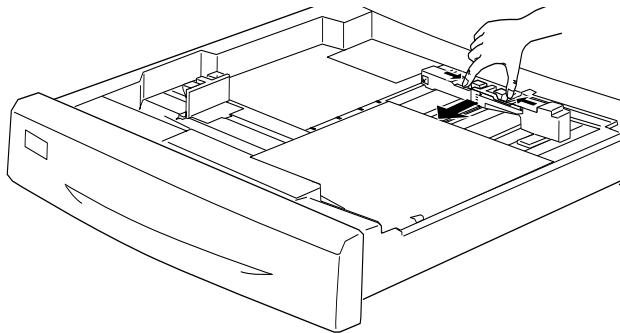
5. Insert the stack into the cassette, as shown below. Make sure that all the paper is under the metal retaining clip with the printable surface down.



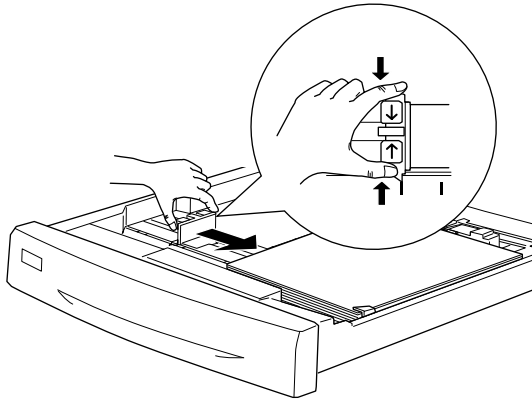
Note:

Loading the cassette with too much paper may cause paper jams.

6. Slide the back paper guide until it just touches the edge of the stack of paper.



- Slide the side paper guide so that it points to the size mark that matches the paper loaded.



Note:

Make sure you adjust the side paper guide to the correct position because the printer automatically senses the size of paper loaded in the cassette from the position of this paper guide.

- Push the cassette in all the way.
- Set the LC1 Type setting to match the type of loaded paper through the Tray Menu. For details, see “Tray Menu” on page 177.

Note:

If you have installed and loaded paper into other optional paper sources such as the 500-Sheet Paper Cassette Unit or the Large Capacity Paper Unit, set all paper type settings from LC1 Type through to LC3 Type.

Printing on Special Media

You can print on special paper stock such as EPSON Color Laser Paper, EPSON Color Laser Transparencies, EPSON Color Laser Coated Paper, thick paper, extra-thick paper, envelopes, and labels.

Note:

Since the quality of any particular brand or type of media may be changed by the manufacturer at any time, EPSON cannot guarantee the quality of any type of media. Always test samples of media stock before purchasing large quantities or printing large jobs.

EPSON Color Laser Paper

You can use EPSON Color Laser Paper for the following paper sources:

Paper Source	Capacity
MP tray	up to 150 sheets
Standard lower cassette	up to 250 sheets
Optional 250-Sheet Paper Cassette A3W	up to 250 sheets
Optional 500-Sheet Paper Cassette Unit	up to 500 sheets
Optional Large Capacity Paper Unit	up to 500 sheets in each cassette

EPSON Color Laser Coated Paper

Printing on EPSON Color Laser Coated Paper produces glossier and higher quality printouts. You can use EPSON Color Laser Coated Paper for the following paper sources:

Paper sources	Paper type settings
MP tray	Plain, Coated, or Coated (Back)
lower cassette (standard)	Plain only
500-Sheet Paper Cassette Unit (option)	Plain only
Large Capacity Paper Unit (option)	Plain only

To optimize for printing on this media, choose Coated or Coated (Back) as the Paper Type setting.

If you select Plain as the setting, the printouts may be inferior in quality to those printed with the Coated or Coated (Back) setting.

Note:

- Coated and Coated (Back) appear in the Paper Type list when the Add Coated to the Paper Type settings check box is selected in the Extended Settings dialog box accessed through the Optional Settings menu in the printer driver for Windows. For Macintosh, click the Extended Settings icon in the Basic Settings menu to open the Extended Settings dialog box.*
- When printing on the back side of previously printed paper, select Coated (Back).*
- EPSON Color Laser Coated Paper can be used with the optional Duplex Unit when selecting Plain as the Paper Type setting in the printer driver.*

EPSON Color Laser Transparencies

EPSON recommends the use of EPSON Color Laser Transparencies for presentations or other applications.

Note:

Duplex printing is not enabled with transparencies.

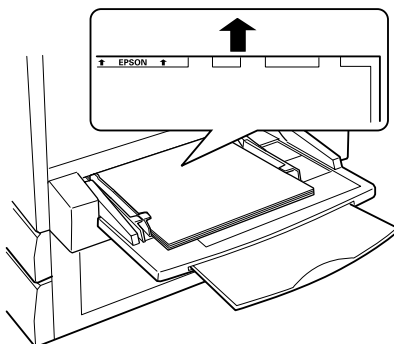
The following table shows important settings you have to make when using EPSON Color Laser Transparencies:

Paper Source	MP tray only (up to 75 sheets)
MP Tray Size setting in the SelectType Tray Menu	A4 or LT (Letter)
MP Type setting in the SelectType Tray Menu	Transparency
Printer driver settings	Paper Size: A4 or Letter Paper Source: MP tray Paper Type: Transparency

Please note the following tips for handling this media:

- ❑ Hold sheets by their edges, as oil from your fingers may transfer to the surface and damage their printable surfaces. The EPSON logo appears on the printable side.

- ❑ When loading transparencies in the MP tray, insert the long edge first and with the printable surface facing up.



- ❑ If you attempt to load transparencies in any other way, the printer ejects the transparency without printing on it to prevent damage to the printer.

If the message **Check Transparency** appears on the LCD panel, make sure that the transparency is loaded correctly and then press the **Start** button.



Caution:

Sheets that have just been printed on may be hot.

Envelopes

The print quality of envelopes may be irregular because different parts of an envelope have different thicknesses. Print one or two envelopes to check the print quality.



Caution:

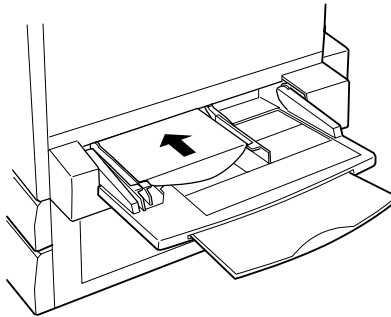
Do not use window envelopes unless they are specifically designed for laser printers. The plastic on most window envelopes will melt when it comes into contact with the fuser.

The following table shows important settings you have to make when using envelopes:

Paper Source	MP tray only (up to 20 envelopes)
MP Tray Size setting in the SelectType Tray Menu	Mon, C10, DL, C6, C5
Printer driver settings	Paper Size: Mon, C10, DL, C6, C5 Paper Source: MP tray Paper Type: Thick

Please note the following tips for handling this media:

- Load envelopes with the flap open and facing outward as shown below.

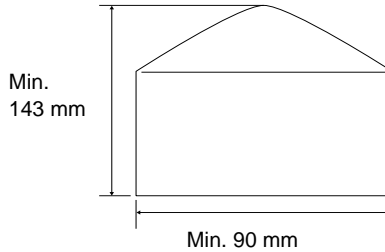




Caution:

Make sure that the minimum size of envelopes meets the following size requirements:

Height: 143 mm (including opened flap)
Width: 90 mm



- Access the printer driver and select the Rotate by 180° check box in the Layout menu for Windows, or the Page Setup menu for Macintosh.

Labels

You can load more than one sheet of labels into the MP tray at a time. However, you may need to feed some labels one sheet at a time, or load them manually.

The following table shows important settings you have to make when using labels:

Paper Source	MP tray only (up to 75 sheets)
MP Tray Size setting in the SelectType Tray Menu	(Select appropriate size)

Printer driver settings	Paper Size: (Select appropriate size) Paper Source: MP tray Paper Type: Thick
-------------------------	---

Note:

- You should only use labels designed for laser printers or plain-paper copiers.*
- To prevent the label adhesive from coming into contact with printer parts, always use labels that completely cover the backing sheet, with no gaps between the individual labels.*
- Press a sheet of paper on top of each sheet of labels. If the paper sticks, do not use those labels in your printer.*

Thick paper/Extra-thick paper

The following table shows important settings you have to make when using thick or extra-thick paper:

Paper Source	MP tray only (up to 75 sheets)
MP Tray Size setting in the SelectType Tray Menu	(Select appropriate size)
Printer driver settings	Paper Size: (Select appropriate size) Paper Source: MP tray Paper Type: Thick, Extra-thick

Loading an uncommon size paper

To load non-standard or custom paper sizes from 90 × 139.7 mm (3.5 × 5.5 inches) to 328 × 453 mm (12.9 × 17.8 inches), use the MP tray and make the paper size setting in one of the following ways:

- ❑ For Windows, access the printer driver, then select **User-Defined Size** from the Paper Size list on the Basic Settings menu. In the User Defined Paper Size dialog box, adjust the Paper Width, Paper Length, and Unit settings to match your custom paper. Then click **OK** and your custom paper size will be saved.
- ❑ For Macintosh, access the printer driver, click **Custom Size** in the Paper Setting dialog box. Then click **New**, adjust the Paper Width, Paper Length, and Margin settings to match your custom paper. Then enter the setting's name, and click **OK** to save your custom paper size.
- ❑ Access the control panel for Printing Menu and set the **Page Size** setting to **CTM** (custom).

About the Printer Software

The printer driver lets you choose from a wide variety of settings to get the best results from your printer. The printer driver also includes the EPSON Status Monitor 3 utility, which is accessed through the Utility menu. The EPSON Status Monitor 3 utility lets you check the status of your printer. See “Monitoring Your Printer by Using EPSON Status Monitor 3” on page 89 for more information.

Accessing the Printer Driver

You can access the printer driver directly from any application programs, from your Windows operating system.

The printer settings made from many Windows applications override the settings made when the printer driver is accessed from the operating system, so you should access the printer driver from your application to make sure that you get the result you want.

Note:

The printer driver’s online help provides details on printer driver settings.

- ❑ To access the printer driver from your application, click the Print or Page Setup command from the File menu. You also need to click Setup, Options, Properties, or a combination of these buttons.

- ❑ To access the printer driver from Windows, click **Start**, point to **Settings**, and click **Printers**. Next, right-click the **EPSON AL-C8600 Advanced** icon and click **Properties** (in Windows Me/98/95), **Printing Preferences** (in Windows XP/2000) or **Document Defaults** (in Windows NT 4.0).

Making Changes to Printer Settings

Making the print quality setting

You can change the print quality of printouts through settings in the printer driver. The printer driver provides you with the choice of letting the printer make the settings automatically, choosing from a list of predefined settings, or customizing the settings.

Choosing the print quality by using the Automatic setting

You can change the print quality of printouts to favor speed or detail. If you need high quality output, choose a higher number. Please note that doing so reduces the print speed.

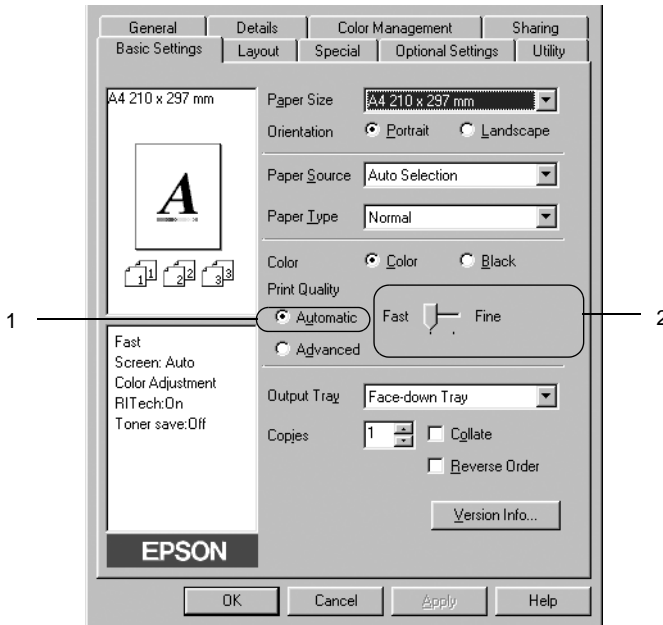
When the **Automatic** button is selected in the **Basic Settings** menu, the printer driver takes care of all detailed settings according to the color setting you select. Color and resolution are the only settings you have to make. You can change other settings such as paper size or orientation in most applications.

Note:

[Online help provides more information on printer driver settings.](#)

1. Click the **Basic Settings** menu.

2. Select the Automatic radio button. Then choose the desired printing resolution from Fast (300 dpi), or Fine (600 dpi) with the slider bar.



3. Click OK to accept the setting.

Note:

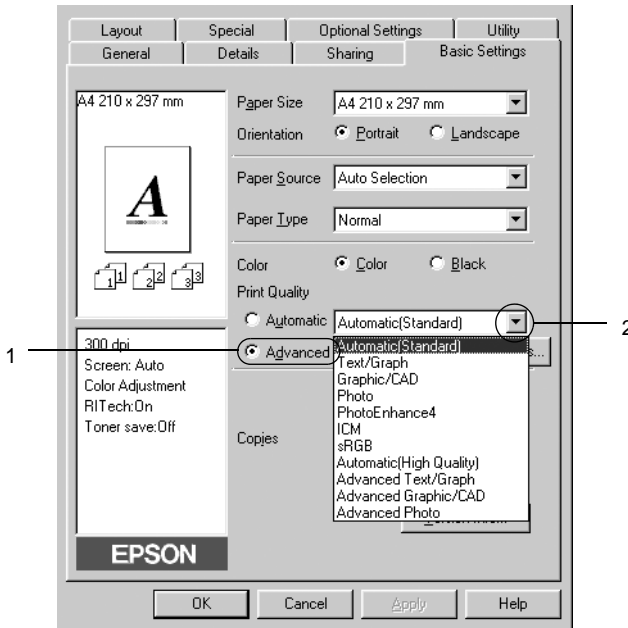
If printing is unsuccessful or a memory-related error message appears, selecting a lower resolution may allow printing to proceed.

Using the predefined settings

The predefined settings are provided to help you optimize print settings for a particular kind of printout, such as presentation documents or images taken by a video or digital camera.

Follow these steps to use the predefined settings.

1. Select the **Advanced** radio button on the Basic Settings menu. You will find the predefined settings in the list on the right of the **Automatic** radio button.



Note:

This screen is a Windows 98, 95 screen.

2. Select the most appropriate setting from the list according to the type of document or image you want to print.

When you choose a predefined setting, other settings such as Printing Mode, Resolution, Screen, and Color Management are set automatically. Changes are shown in the current settings list on the left of the Basic Settings menu.

This printer driver provides the following predefined settings:

Automatic (Standard)

Suitable for regular printing, especially photos.

Text/Graph

Suitable for printing documents that include text and graphs, such as presentation documents.

Graphic/CAD

Suitable for printing graphs and charts.

Photo

Suitable for printing photos.

PhotoEnhance4

Suitable for printing images captured using the video input, a digital camera, or scanner. EPSON PhotoEnhance 4 automatically adjusts the contrast, saturation, and brightness of the original image data to produce sharper, more vivid color printouts. This setting does not affect your original image data.

ICM (Except for Windows NT 4.0)

ICM stands for Image Color Matching. This feature automatically adjusts printout colors to match colors on your screen.

sRGB

When equipment such as a scanner or a display supports sRGB, the printer performs Image Color Matching with these pieces of equipment before printing. To confirm that your equipment supports sRGB, contact your equipment dealer.

Automatic (High Quality)

Suitable for regular printing that gives priority to high-quality printing.

Advanced Text/Graph

Suitable for printing high-quality presentation documents that include text and graphs.

Advanced Graphic/CAD

Suitable for printing high-quality graphs, charts, and photos.

Advanced Photo

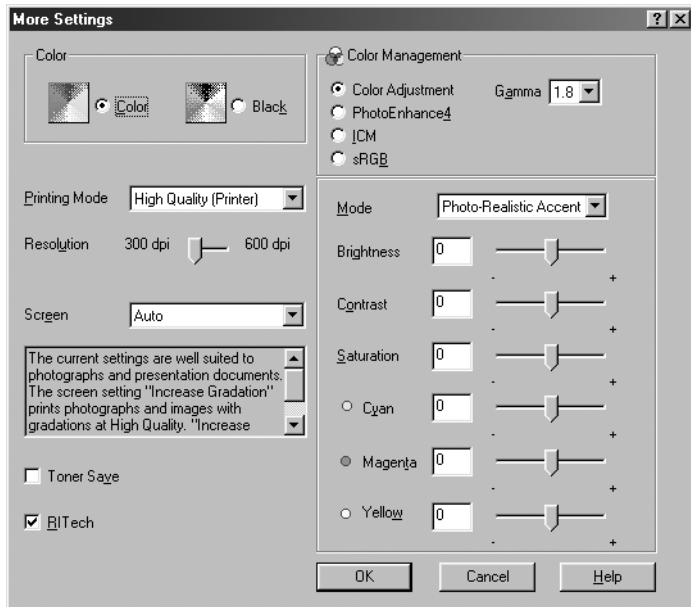
Suitable for printing high-quality scanned photos and digitally-captured images.

Customizing print settings

If you need to change detailed settings, make the settings manually.

Follow these steps to customize your print settings.

1. Click the **Advanced** radio button in the **Basic Settings** menu, then click **More Settings**. The following dialog box appears.



Note:

This screen is a Windows 98, 95 screen.

2. Choose **Color** or **Black** as the **Color** setting, then make other settings. For details on each setting, click the **Help** button.
3. Choose **Color** or **Black** as the **Color** setting.
4. Choose desired printing resolution from 300 dpi or 600 dpi with the **Resolution** slider bar, then make other settings. For details on each settings, see online help.
5. Click **OK** to apply your settings and return to the **Basic Settings** menu. Click **Cancel** to return to the **Basic Settings** menu without applying your settings.

Saving your settings

To save your custom settings, click the **Advanced** radio button and click **Save Settings** on the Basic Settings menu. The Custom Settings dialog box appears.

Type a name for your custom settings in the Name box, and click **Save**. Your settings will appear in the list to the right of the **Automatic** radio button in the Basic Settings menu.

Note:

- You cannot use a predefined setting name for your custom settings.*
- To delete a custom setting, click the **Advanced** radio button and click **Save Settings** in the Basic Settings menu, select the setting in the Custom Settings dialog box, and then click **Delete**.*
- You cannot delete predefined settings.*

If you change any setting in the Advanced Settings dialog box when one of your custom settings is selected in the Advanced Settings list on the Basic Settings menu, the setting selected in the list changes to Custom Settings. The custom setting that was previously selected is not affected by this change. To return to your custom setting, simply reselect it from the current settings list.

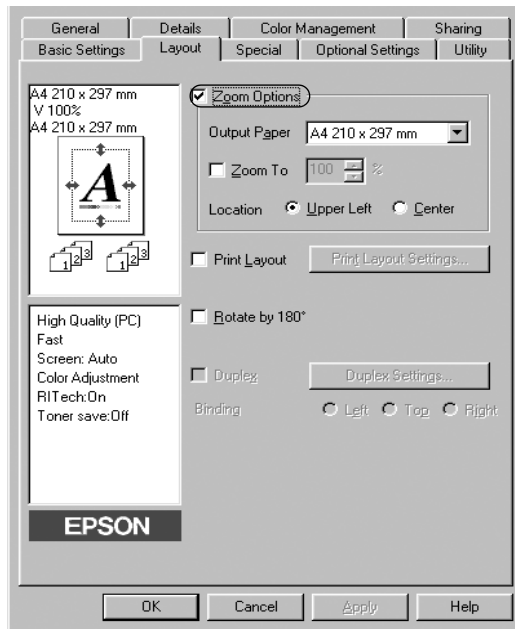
Resizing printouts

You can have your document enlarged or reduced during printing.

To automatically resize pages to fit the output paper

1. Click the Layout menu.

2. Select the Zoom Options check box.

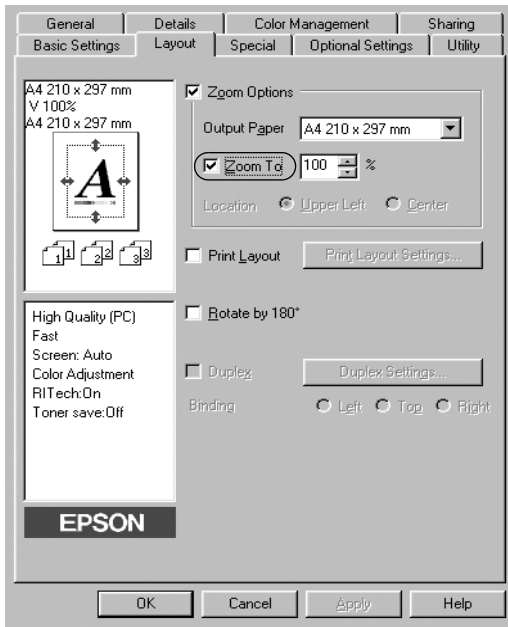


3. Select the desired paper size from the Output Paper drop-down list. The page will be printed to fit on the paper you have selected.
4. Click the Upper Left button (to print reduced page image at upper left corner of the paper) or the Center button (to print reduced page image with centering) for Location setting.
5. Click OK to accept the settings.

To resize pages by a specified percentage:

1. Click the Layout menu.
2. Select the Zoom Options check box.

3. Select the Zoom To check box.



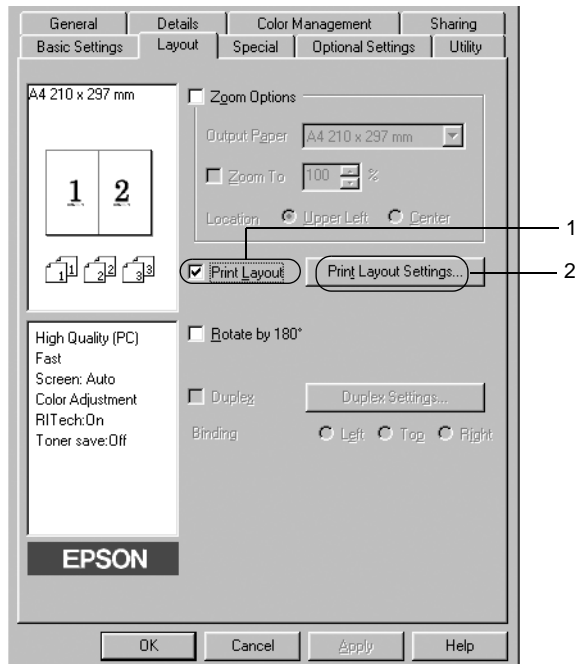
4. Specify the magnification percentage in the box, then click OK. The percentage can be set between 50% and 200% in 1% increments.

If necessary, select the paper size to be printed from the Output Paper drop-down list.

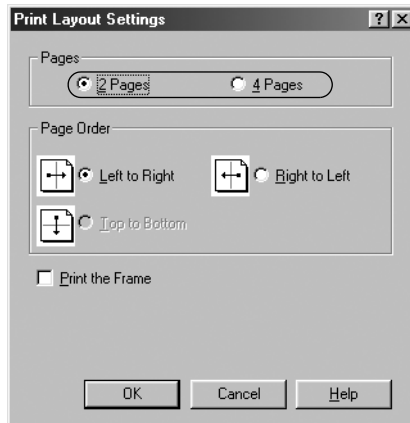
Modifying the print layout

Your printer can print either two or four pages onto a single page and specifies the printing order, automatically resizing each page to fit the specified paper size. You can also choose to print documents surrounded by a frame.

1. Click the **Layout** menu.
2. Select the **Print Layout** check box, and click **Print Layout Settings**. The **Print Layout Settings** dialog box appears.



3. Select the number of pages you want to print on one sheet of paper.



4. Select the Page Order in which the pages are printed on each sheet. Select the **Print the Frame** check box when you want to print the pages surrounded by a frame.

Note:

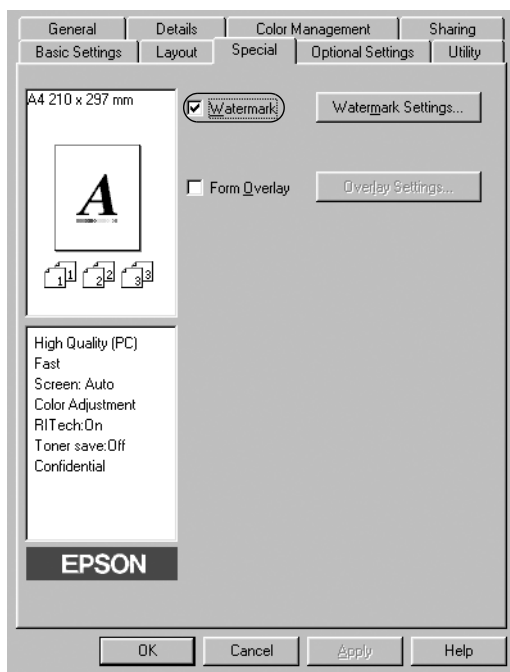
The Page Order choices depend on the number of pages selected above, and the paper orientation (Portrait or Landscape) selected on the Basic Settings menu.

5. Click OK to close the Print Layout Settings dialog box.
6. Click OK on the Layout menu to accept the settings.

Using a watermark

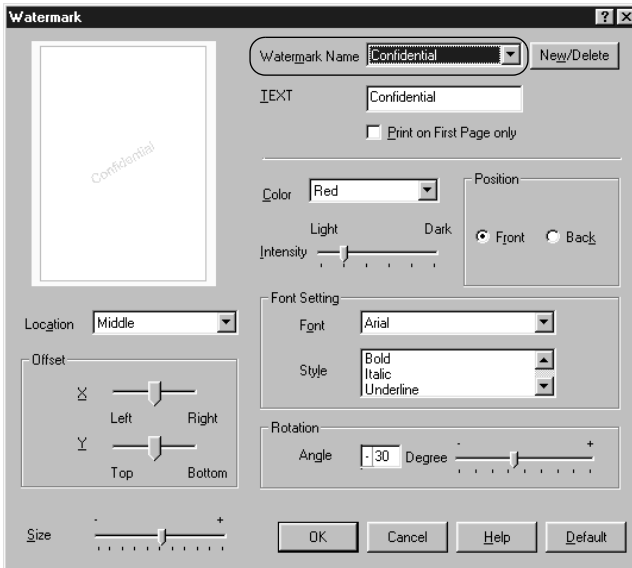
Follow the steps to use a watermark on your document. In the Watermark dialog box, you can select from a list of predefined watermarks, or you can make an original watermark with text or a bitmap (The Watermark dialog box also allows you to make a variety of detailed watermark settings. For example, you can select the size, intensity, and position of your watermark.

1. Click the Special menu.
2. Select the Watermark check box.



3. Click Watermark Settings. The Watermark dialog box appears.

4. Select a watermark from the Watermark Name drop-down list.

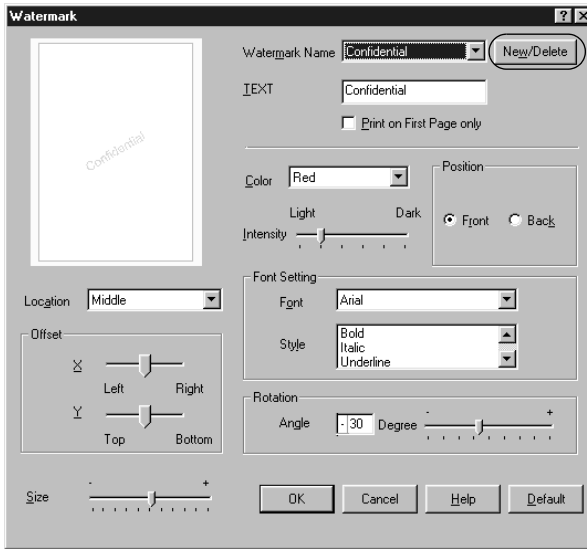


5. Select the location on the page where you want to print the watermark from the Location drop-down list.
6. Adjust the horizontal or vertical Offset position.
7. Select the color from the Color drop-down list.
8. Adjust the image intensity of the watermark with the Intensity slider bar.
9. Adjust the size of the watermark with the Size slider bar.
10. Select **Front** (to print the watermark in the foreground of the document) or **Back** (to print the watermark in the background of the document) for the Position setting.
11. Click **OK** to accept the settings.

Making a new watermark

You can make a new watermark as follows:

1. Click the Special menu.
2. Select the Watermark check box.
3. Click Watermark Settings. The Watermark dialog box appears.
4. Click New/Delete. The User Defined Watermarks dialog box appears.



5. Select Text or BMP and type a name for the new watermark in the Name box.
6. If you select Text, type the watermark text in the Text box. If you select BMP, click Browse, select the BMP file you want to use, then click OK.

7. Click **Save**. Your watermark will appear in the List box.
8. Click **OK** to register the new watermark settings.

Note:

You can register up to 10 watermarks.

Using an overlay

The Overlay Settings dialog box allows you to prepare standard forms, or templates, that you can use as overlays when printing other documents. This feature can be useful for creating corporate letterheads or invoices.

Note:

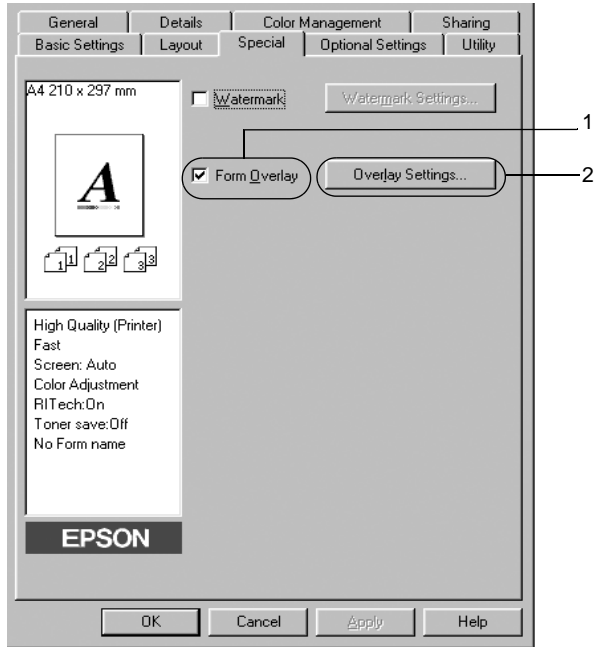
*The overlay function is available only when **High Quality (Printer)** is selected as the **Graphic Mode** in the **Extended Settings** dialog box.*

Creating an overlay

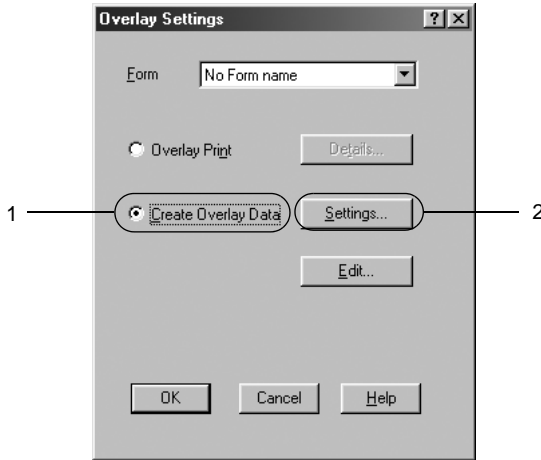
Follow these steps to create and save a form overlay file.

1. Open your application and create the file that you want to use as an overlay.
2. When the file is ready to be saved as an overlay, choose **Print** or **Print Setup** from the **File** menu of your application. Then click **Printer**, **Setup**, **Options**, or **Properties**, or click a combination of these buttons, depending on your application.
3. Select the **Special** menu.

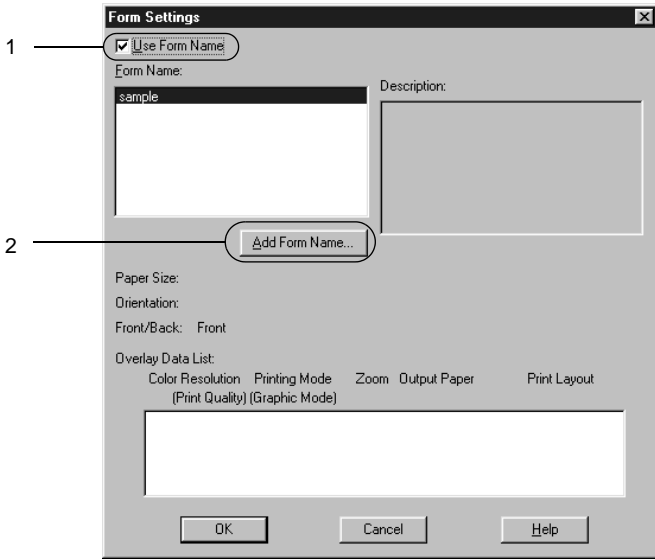
4. Select the Form Overlay check box, and click the Overlay Settings button to open the Overlay Settings dialog box.



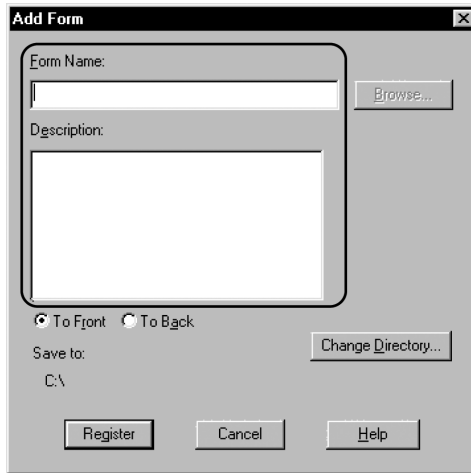
5. Click the Create Overlay Data button, then click Settings. The Form Settings dialog box appears.



6. Select the Use Form Name check box. Then click the Add Form Name button. The Add Form dialog box appears.



7. In the Add Form dialog box, type the form name in the Form Name box and its description in the Description box.



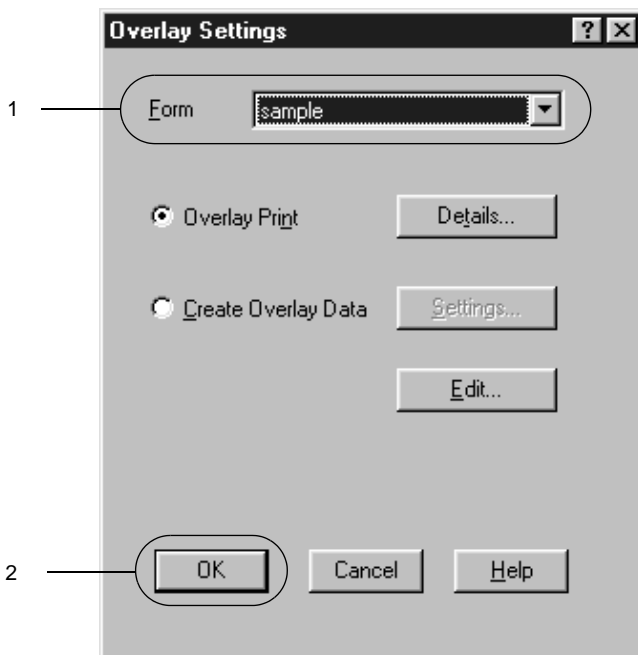
8. Click the To Front or To Back button to specify whether the overlay will be printed as background or foreground of the document.
9. In the Add Form dialog box, click Register.
10. In the Form Settings dialog box, click OK.
11. In the Overlay Settings dialog box, click OK.
12. Print the file saved as overlay data. It is possible to save any kind of file as an overlay. The overlay data is created.

Printing with an overlay

Follow the steps to print a document with overlay data.

1. Open the file to print with overlay data.

2. From the application, access the printer driver. Open the File menu and choose Print or Print Setup. Then click Printer, Setup, Options, or Properties, or click a combination of these buttons, depending on the application you use.
3. Select the Special menu.
4. Check the Form Overlay check box, and click the Overlay Settings button to open the Overlay Settings dialog box.
5. In the Overlay Settings dialog box, choose the form from the Form list, then click OK.



6. Click OK to print the data.

Different printer settings overlay data

The overlay data is made with the current printer settings (such as Resolution: 600 dpi). If you want to make the same overlay with different printer settings (such as 300 dpi), follow the instructions below.

1. Re-access the printer driver as described in step 2 in Appendix , “Creating an overlay,”.
2. Make the printer settings and exit the printer driver.
3. Send the same data that you made by application to the printer like step 12 in Appendix , “Creating an overlay,”.

This setting is available only for Form Name data.

Using HDD form overlay

This function enables faster printing with form overlay data. All users can use the form data registered in the optional Hard Disk Drive installed in the printer though only an administrator can register or delete the form data in the Hard Disk Drive.

Note:

- This function is not available when the Color setting is set to Black in the printer driver’s Basic Settings menu.*
- This function is not available if the optional Hard Disk Drive is not installed.*
- Use this function by inputting the registered form name after printing the Print List.*
- When the document’s resolution, paper size or paper orientation settings are different from the form overlay data that you use, you cannot print the document with the form overlay data.*
- This function is available in the ESC/Page Color mode.*

Register the form overlay data on the Hard Disk Drive

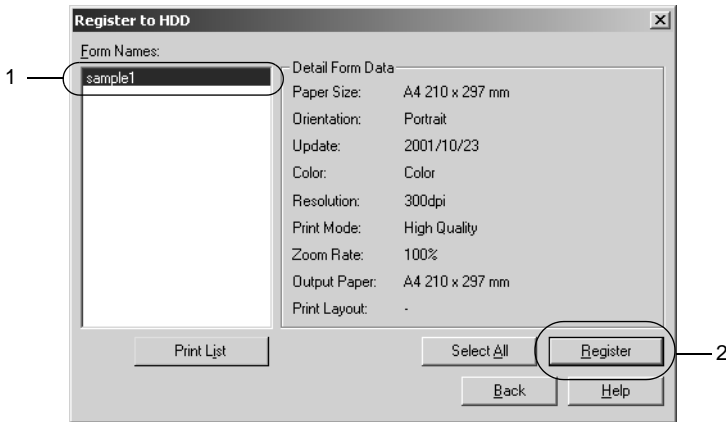
Only a network administrator using Windows XP/2000/NT 4.0 is allowed to register the form overlay data on the optional Hard Disk Drive. Follow these steps to register.

Note:

- Only form names that can be registered appear in the Form Name list.*
- A form name that contains characters other than letters and numbers is not displayed in the Form Name list.*
- Monochrome form overlay data that has been made on a monochrome printer or printer in a black mode is not displayed.*

1. Prepare the form overlay data to register on the local PC Hard Disk Drive.
2. Login as an administrator to Windows XP/2000/NT 4.0.
3. Click Start, point to Settings, and click Printers. Next, right-click the EPSON AL-C8600 Advanced icon and click Properties.
4. Click the Optional Settings menu.
5. Click the Optional Settings tab.
6. Click Register. The Register to HDD dialog box appears.

7. Select the overlay data name from the Form Names list, then click Register.



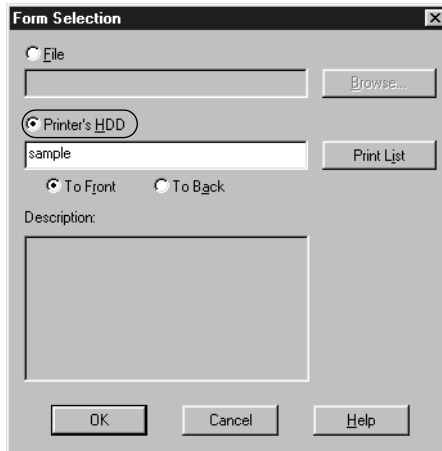
8. If you distribute a form data list to the clients, click Print List to print the list.
9. Click Back to close the Register to HDD dialog box.
10. Click the OK button to close the window.

Printing with HDD form overlay

All Windows users can use the registered form data in the optional Hard Disk Drive. Follow these steps to print with HDD form data.

1. Select the Special menu.
2. Check the Form Overlay check box, and click the Overlay Settings button to open the Overlay Settings dialog box.
3. Click Details. The Form Selection dialog box appears.

4. Click Printer's HDD, then enter the registered form name. If you need the list of the registered form data, click Print List to print it and confirm the form name.



5. Choose To Back or To Front to print the form data as background or foreground of the document.
6. Click OK to print data.

Delete the form overlay data in the Hard Disk Drive

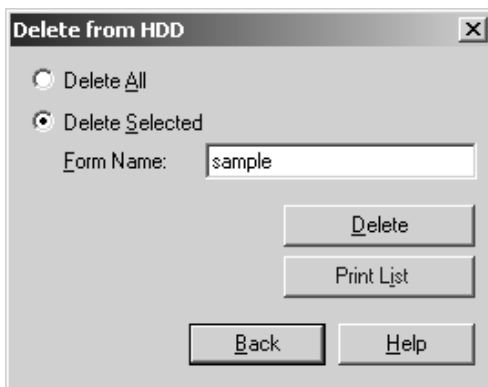
Only a network administrator using Windows XP/2000/NT 4.0 is allowed to delete or edit the form overlay data in the optional Hard Disk Drive. Follow these steps to delete.

1. Login as an administrator to Windows XP/2000/NT 4.0.
2. To access the printer driver from Windows, click Start, point to Settings, and click Printers. Next, right-click the EPSON AL-C8600 Advanced icon and click Properties.
3. Click the Optional Settings menu.

4. Click **Delete**. The Delete from HDD dialog box appears.
5. If you delete all form data, click the **Delete All** button, then click **Delete**. If you want to delete some specific data, click the **Delete Selected** button, enter the form name in the Form Name edit box, then click **Delete**.

Note:

*If you need the list of the registered form data, click **Print List** to print it and confirm the form name.*



6. Click **Back**.
7. Click **OK** to close the dialog box.

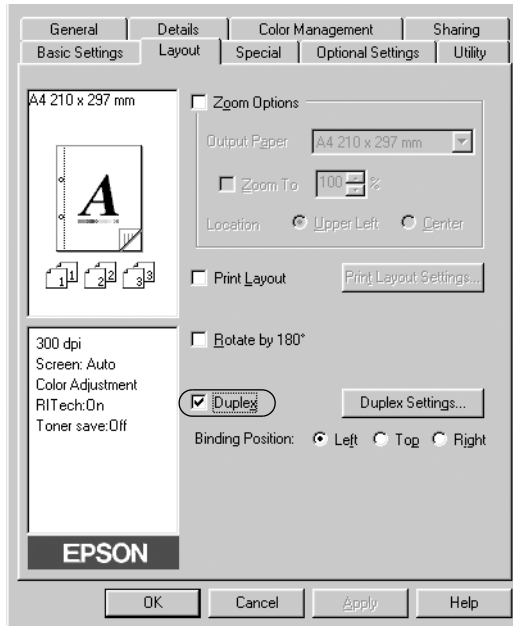
Duplex printing

Duplex printing prints on both sides of the paper. When printing for binding, the binding edge can be specified as required to produce the desired page order.

Note:

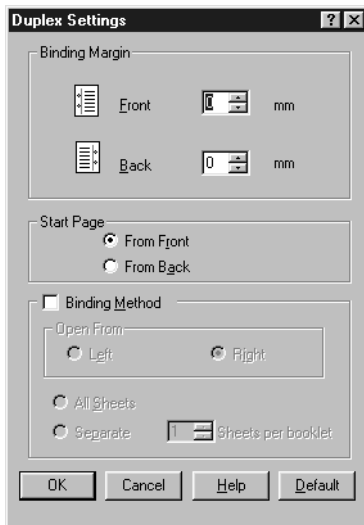
You need to install optional Duplex Unit for duplex printing.

1. Select the Layout menu.
2. Select the Duplex check box.



3. Select the Left, Top, or Right button as a Binding Position.
4. Click Duplex Settings to open the Duplex Settings dialog box.

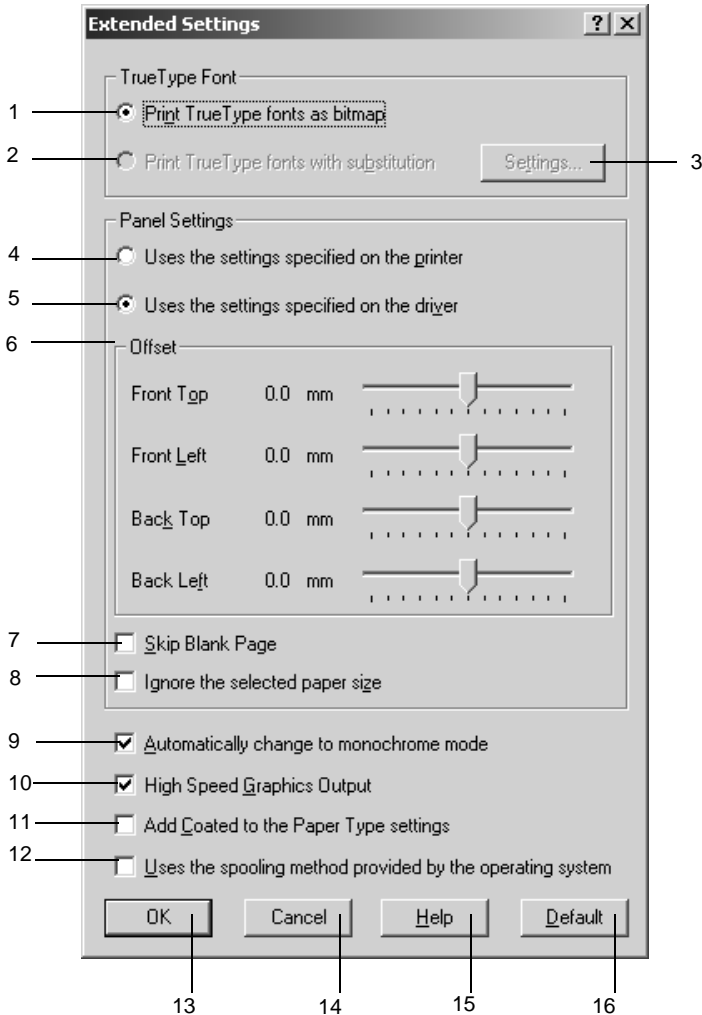
5. Specify the Binding Margin for the front and back sides of the paper.



6. Select whether the front or back side of the paper is to be printed as the Start Page.
7. When printing for binding as a booklet, click the Binding Method check box and make appropriate settings.
8. Click OK to close the Duplex Settings dialog box.
9. Click OK on the Layout menu to accept the settings.

Making Extended Settings

You can make detailed settings such as font setting or offset setting in the Extended Settings dialog box. To open the dialog box, click **Extended Settings** on the **Optional Settings** menu.



1. **Print True Type fonts as bitmap button:** Select this button to print, as bitmap, the True Type fonts that are not substituted with device fonts in the document.
2. **Print True Type fonts with substitution button:** Select this button to print the True Type fonts in the document as device fonts. This function is not available when the printing mode setting on the More Settings dialog box is set to CRT or High Quality (PC). For details about the printing mode setting, see “Customizing print settings” on page 56.
3. **Settings button:** Clicking this button to open the Font Substitution dialog box. This button is available when the Print True Type fonts with substitution button is selected.
4. **Uses the settings specified on the printer button:** Select this button to use the Offset, the Skip blank page, and the Ignore the selected paper size settings on the control panel.
5. **Uses the settings specified on the driver button:** Select this button to use the Offset, the Skip blank page, and the Ignore the selected paper size settings in the printer driver.

- | | |
|--|--|
| 6. Offset | Makes fine adjustments to the printing position on the front and the back of data on a page in 1 mm increments. |
| 7. Skip Blank Page check box: | When you select this check box, the printer skips blank pages. |
| 8. Ignore the selected paper size check box: | When you select this check box, the printer prints on loaded paper, regardless of size. |
| 9. Automatically change to monochrome mode check box: | Select this check box to have the printer driver analyze the printing data, and automatically switch to monochrome mode if the printing data is black and white. |
| 10. High Speed Graphics Output check box: | Select this check box to optimize the printing speed of graphics composed of line drawings such as overlaid circles and squares.

Clear this check box if graphics do not print correctly. |
| 11. Add Coated to the Paper Type settings check box: | When you select this check box, Coated appears in the Paper Type list on the Basic Settings menu and become available. |
| 12. Uses the spooling method provided by the operation system check box: | Select this check box to enable the Spool function for Windows XP/2000/NT 4.0. |

- 13. **OK button:** Clicking this button saves your settings and exits the dialog box or printer driver.
- 14. **Cancel button:** Clicking this button exits the dialog box or printer driver without saving your settings.
- 15. **Help button:** Clicking this button opens online help.
- 16. **Default button:** Clicking this button returns the driver settings to the initial settings.

Using the Reserve Job Function

The Reserve Job function allows you to store print jobs in the printer's Hard Disk Drive and to print them later directly from the printer's control panel. Follow the instructions in this section to use the Reserve Job function.

Note:

You need an optional Hard Disk Drive installed in your printer in order to use the Reserve Job function. Make sure that the drive is correctly recognized by the printer driver before you start using the Reserve Job function.

The table below gives an overview of the Reserve Job options. Each option is described in detail later in this section.

Reserve Job Option	Description
Re-Print Job	Lets you print the job now and store it for later reprinting.

Verify Job	Lets you print one copy now to verify the content before printing multiple copies.
Stored Job	Lets you save the print job without printing it now.
Confidential Job	Lets you apply a password to the print job and save it for later printing.

Jobs stored in the Hard Disk Drive are handled differently depending on the Reserve Job option. Refer to the tables below for details.

Reserve Job Option	Maximum Number of Jobs	When Maximum is Exceeded	When Drive is Full
Re-Print Job + Verify Job	64 (combined total)	Oldest job automatically replaced with newest	Oldest job automatically replaced with newest
Stored Job	64	Delete old jobs manually	Delete old jobs manually
Confidential Job	64		

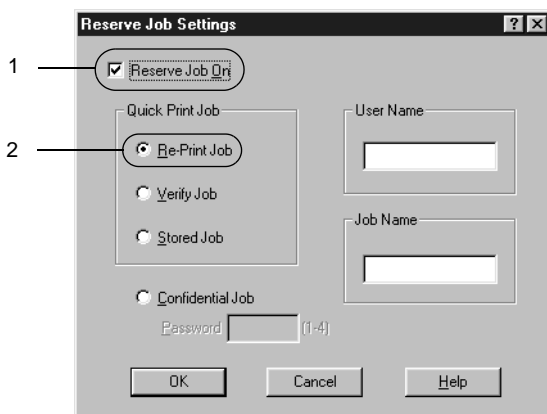
Reserve Job Option	After Printing	After Turning Off Printer or Using Reset All
Re-Print Job	data remains in hard drive	Data is cleared
Verify Job		
Stored Job		Data remains in hard drive
Confidential Job	data is cleared	Data is cleared

Re-Print Job

The Re-Print Job option allows you to store the job you are currently printing so that you can reprint it later directly from the control panel.

Follow these steps to use the Re-Print Job option.

1. Select the Collate in Printer check box on the Basic Settings menu in the printer driver. Specify the number of copies to be printed, and make other printer driver settings as appropriate for your document.
2. Click the Optional Settings tab and click Reserve Jobs Settings. The Reserve Job Settings dialog box appears.
3. Select the Reserve Job On check box and click the Re-Print Job button.



4. Enter a user name and job name in the corresponding text boxes.

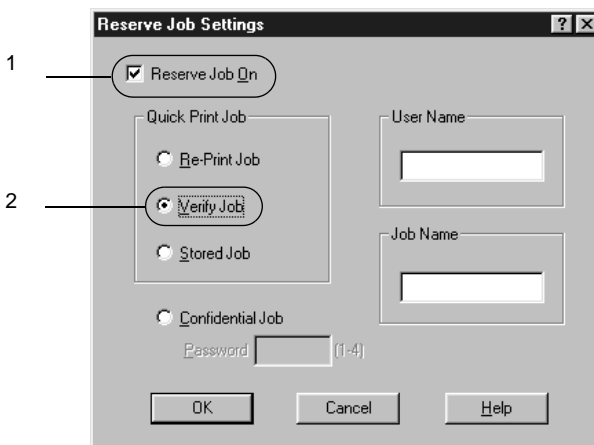
5. Click OK. The printer prints your document, and stores the print job data on the Hard Disk Drive. To reprint or delete this data using the printer's control panel, see "Printing and Deleting Reserve Job Data" on page 170.

Verify Job

The Verify Job option allows you to print one copy in order to verify the content before printing multiple copies.

Follow these steps to use the Verify Job option.

1. Select the Collate OK check box on the Basic Settings menu in the printer driver. Specify the number of copies to be printed, and make other printer driver settings as appropriate for your document.
2. Click the Optional Settings tab and click Reserve Jobs Settings. The Reserve Job Settings dialog box appears.
3. Select the Reserve Job On check box and click the Verify Job button.



4. Enter a user name and job name in the corresponding text boxes.
5. Click OK. The printer prints one copy of your document, and stores the print data with information on the number of remaining copies on the Hard Disk Drive. After you have confirmed the printout, you can print the remaining copies or delete this data using the printer's control panel. See "Printing and Deleting Reserve Job Data" on page 170 for instructions.

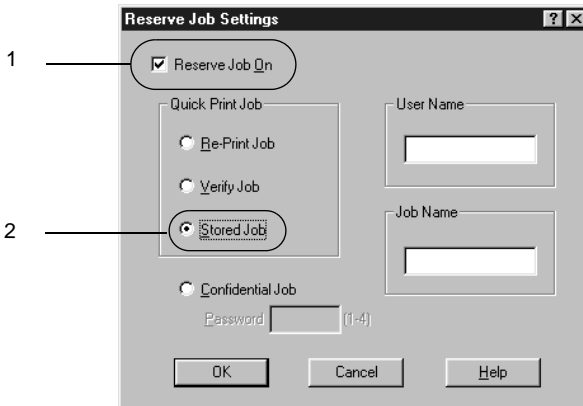
Stored Job

The Stored Job option is useful for storing documents you print on a regular basis, such as invoices. The stored data remains on the Hard Disk Drive even if you turn off the printer or reset it using the Reset All function.

Follow these steps to store print data using the Stored Job option.

1. Select the **Collate OK** check box on the Basic Settings menu in the printer driver. Specify the number of copies to be printed, and make other printer driver settings as appropriate for your document.
2. Click the **Optional Settings** tab and click **Reserve Jobs Settings**. The Reserve Job Settings dialog box appears.

3. Select the Reserve Job On check box, and the Stored Job button.



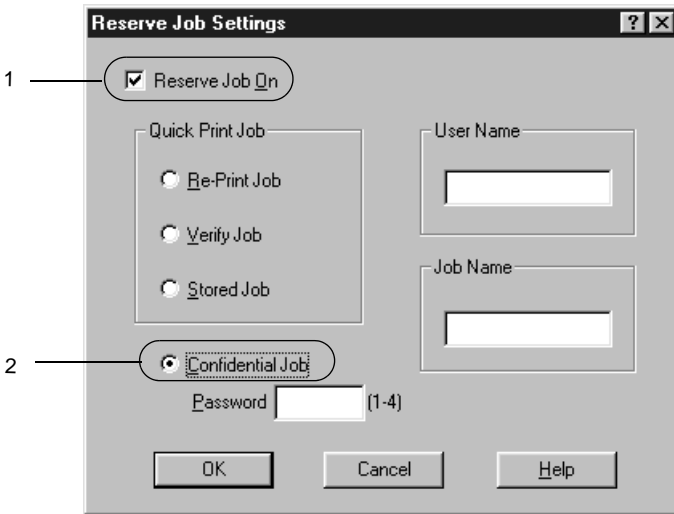
4. Enter a user name and job name in the corresponding text boxes.
5. Click OK. The printer stores the print data in the Hard Disk Drive. To print or delete this data using the printer's control panel, see "Printing and Deleting Reserve Job Data" on page 170.

Confidential Job

The Confidential Job option allows you to apply passwords to print jobs stored on the Hard Disk Drive.

Follow these steps to store print data using the Confidential Job option.

1. Make printer driver settings as appropriate for your document, then open the Optional Settings menu and click the Reserve Jobs Settings button. The Reserve Jobs Settings dialog box appears.
2. Select the Reserve Job On check box and the Confidential Job button.



3. Enter a user name and job name in the corresponding text boxes.
4. Set the password for the job by entering a four-digit number in the password text box.

Note:

- ❑ Passwords must be four digits.
- ❑ Only numbers from 1 through 4 can be used for passwords.
- ❑ Keep passwords in a safe place. You must enter the correct password when printing a Confidential Job.

5. Click OK. The printer stores the print job in the Hard Disk Drive. To print or delete this data using the printer's control panel, see "Printing and Deleting Reserve Job Data" on page 170.

Monitoring Your Printer by Using EPSON Status Monitor 3

About EPSON Status Monitor 3

The EPSON Status Monitor 3 is a utility program that monitors your printer and gives you information about its current status. For example, you can find out the amount of remaining toner or the remaining functional life of the photoconductor unit through this utility. If a print error occurs, the utility provides you with a message describing the error. EPSON Status Monitor 3 is accessed from within the printer driver. See the following section for more information.

Before using EPSON Status Monitor 3, be sure to read the printer driver's README file. This file contains the latest information on the printer driver and EPSON Status Monitor 3.

Note for Windows XP users:

Shared Windows XP LPR connections and shared Windows XP Standard TCP/IP connections with Windows clients do not support the Job Management function.

Note for Windows 95 users:

Network printers can not be monitored with EPSON Status Monitor 3.

Installing EPSON Status Monitor 3

Follow these steps to install EPSON Status Monitor 3.

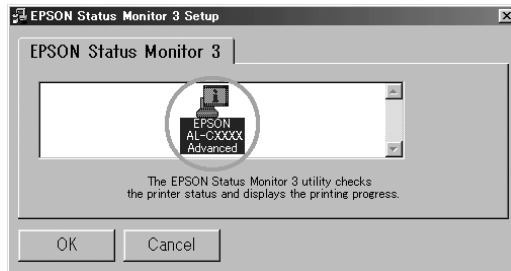
1. Insert the printer software CD-ROM in the CD-ROM drive. The Installation Program screen appears as shown below:



If it does not appear, double-click the My Computer icon. Click the CD-ROM icon, then select Open from the file menu. Then double-click Epsetup.exe.

2. In the Installation Program screen, double-click Install EPSON Status Monitor 3. Alternatively, you can install it by selecting Install EPSON Status Monitor 3 and then clicking the arrow at the top right.

3. In the dialog box that appears, make sure that your printer's icon is selected, and click OK. This automatically installs the utility program.



4. When the installation is complete, click OK.

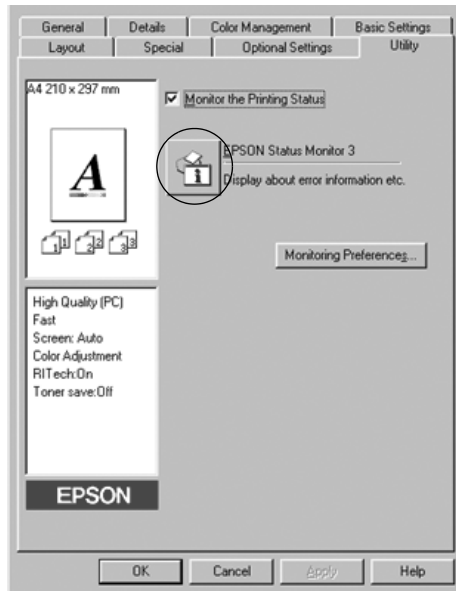
Accessing EPSON Status Monitor 3

EPSON Status Monitor 3 monitors the printer during printing and while the EPSON Status Monitor 3 dialog box is open.

You can access EPSON Status Monitor 3 directly from any application programs, from your Windows operating system.

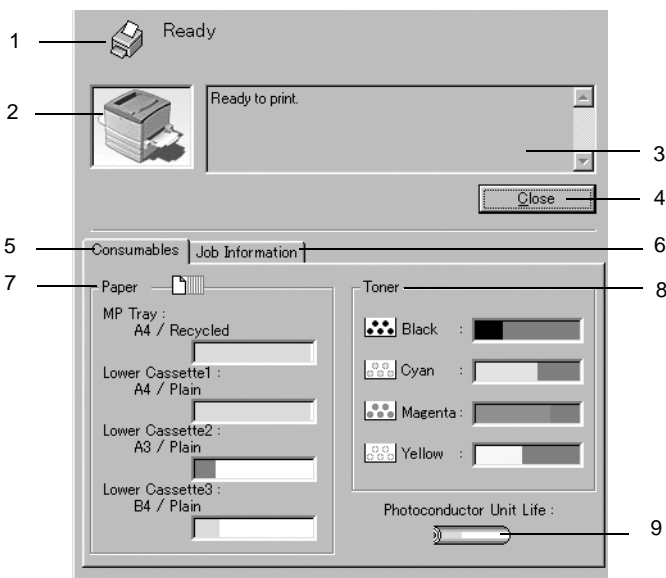
- To access the EPSON Status Monitor 3 from your application, click the **Print** or **Page Setup** command from the **File** menu. You also need to click **Setup**, **Options**, **Properties**, or a combination of these buttons. Then click the **Utility** menu, and click the **EPSON Status Monitor 3** icon to start EPSON Status Monitor 3.

- ❑ To access EPSON Status Monitor 3 from Windows, click **Start**, point to **Settings**, and click **Printers**. Next, right-click **Properties** (in Windows Me/98/95), **Printing Preferences** (in Windows XP/2000), or **Document Defaults** (in Windows NT 4.0). Then click the **Utility** menu, and click the **EPSON Status Monitor 3** icon to start the EPSON Status Monitor 3.



Getting printer status details

You can monitor printer status and obtain information on consumable products using the EPSON Status Monitor 3 dialog box.



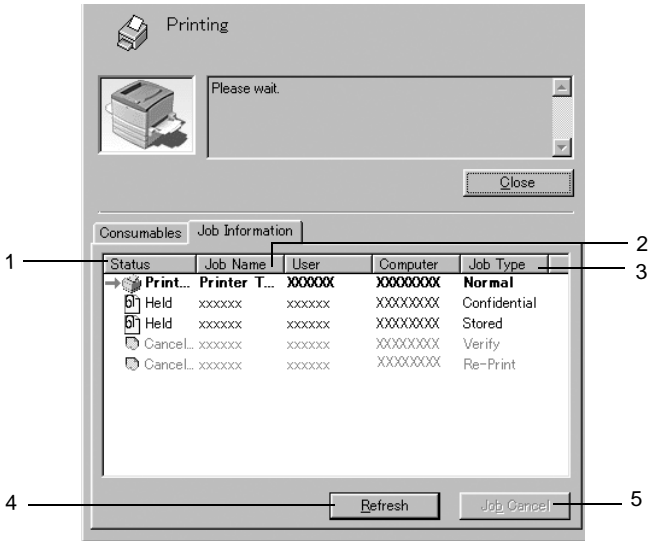
1. Icon/Message: The icon and message shows the printer status.
2. Printer image: The image at the upper left shows the printer status graphically.
3. Text box: The text box next to the printer image displays the current status of the printer. When a problem occurs, the most probable solution is displayed.

4. Close button: Clicking this button closes the dialog box.
5. Consumables tab: Clicking this tab displays the consumable's status such as amount of paper or toner remaining.
6. Job Information tab: Clicking this tab displays the print job information. This tab is displayed when the Show job information check box on the Monitoring Preferences dialog box is selected.
7. Paper: Displays the paper size, paper type and the approximate amount of paper remaining in the paper source. Information for the optional cassette is displayed only if this option is installed.
8. Toner: Indicates the amount of remaining toner. The toner icon flashes if the toner is low.
9. Photoconductor Unit Life: Indicates the remaining functional life of the photoconductor unit.

Using the Job Management function

You can obtain information on the print jobs on the Job Information menu on the EPSON Status Monitor 3 dialog box.

To display the Job Information menu, select the Show job information check box on the Monitoring Preferences dialog box. Then click the Job Information menu on the EPSON Status Monitor 3 dialog box.



1. Status:
 - Waiting: Waiting to print.
 - Printing: Current job is being printed.
 - Completed: Indicates job has been printed.
 - Canceled: Indicates job has been canceled.
 - Held: Job is on hold.

2. Job Name: Displays the user's print job file names. Other users print jobs are displayed as -----.

3. **Job Type:** Displays the job type. When the Reserve job function is used, the jobs are displayed as Stored, Verify, Re-Print, and Confidential respectively. About the Reserve Job function, see “Using the Reserve Job Function” on page 82.
4. **Refresh button:** Clicking this button refreshes the information on this menu.
5. **Job Cancel button:** Selecting a print job and clicking this button, cancels the selected print job.

Supporting connection to use the Job Management function

The Job Management function is available when the following connections are used:

- When using the EPSON Net Direct Print TCP/IP connection (in Windows Me, 98, 95 and XP, 2000 or NT 4.0)
- When using the LPR connections (in Windows XP, 2000 and NT 4.0)
- When using standard TCP/IP connections (in Windows XP and 2000)
- Shared Windows XP, 2000 and NT 4.0 LPR connections and shared Windows XP and 2000 Standard TCP/IP connections with Windows XP, Me, 98, 95, 2000 and NT 4.0 clients

Note:

You can not use this function in the following situations:

- When using an optional Ethernet interface card that doesn't support the Job Management function.*
- When the NetWare connections do not support the Job Management function.*

- ❑ *When the printing jobs from NetWare and NetBEUI are displayed as “Unknown” on the Job Management menu.*
- ❑ *Shared Windows 2000/NT 4.0 LPR connections and shared Windows 2000 Standard TCP/IP connections with Windows XP/Me/98/95/2000/NT 4.0 clients. Note that if the user account used to log on to a client is different from the user account used to connect to the server, the Job Management function is not available.*

Setting to notify when printing is completed

When the Notify when printing completed check box is selected, the Notify when printing completed function can be used.

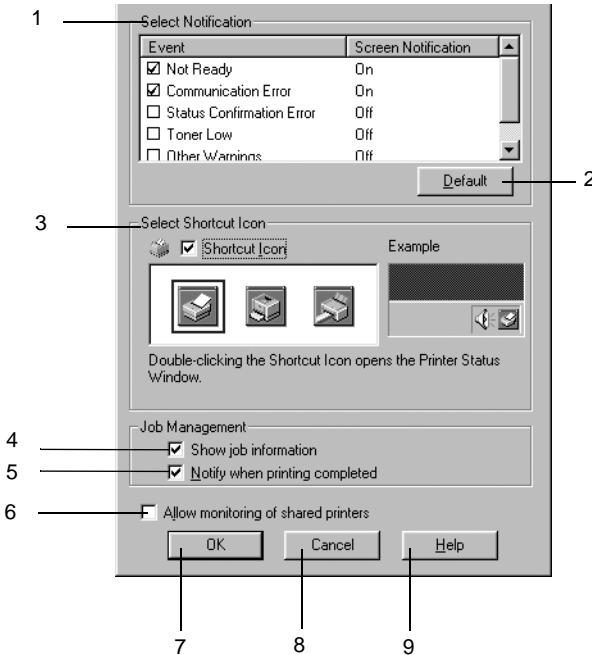
To use this function, click the specified print job from the print job list on the Job Information menu in the EPSON Status Monitor 3 dialog box. When the target job is completed, the Notify when printing completed dialog box appears.

Note:

When you canceled the target job, the Notify when printing completed dialog box does not appear.

Setting Monitoring Preferences

To make specific monitoring settings, click Monitoring Preferences in the Utility menu of the printer driver. The Monitoring Preferences dialog box appears.



The following settings and buttons appear in the dialog box:

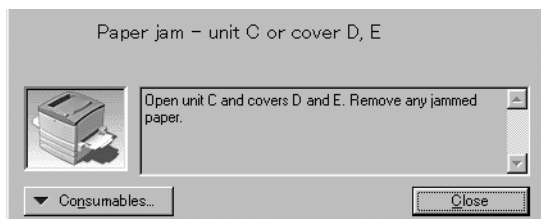
1. **Select Notification:** Use the check boxes in this area to select the types of errors that you wish to be notified about.
2. **Default button:** Restores default settings.

3. **Select Shortcut Icon:** To use the shortcut icon, select the **Shortcut Icon** check box and choose an icon. The icon you select appears on the right side of the task bar. Once the shortcut icon is in the task bar, you can double-click it to open the EPSON Status Monitor 3 dialog box. Alternatively, you can right-click the shortcut icon and select **Monitoring Preferences** to open the Monitoring Preferences dialog box, and **EPSON AL-C8600 Advanced** to open the EPSON Status Monitor 3 dialog box.
4. **Show job information:*** Displays the job information menu in the EPSON Status Monitor 3 window.
5. **Notify when printing completed:*** Displays the notification message when your print job is finished.
6. **Allow monitoring of shared printers check box:** To monitor a shared printer, select this check box. You need to make this setting on the server.
7. **OK button:** Saves new changes.
8. **Cancel button:** Cancels any changes.
9. **Help button:** Opens online help for the Monitoring Preferences dialog box.

Status Alert window

The Status Alert window appears automatically when an error occurs. It indicates what type of error has occurred and offers you a possible solution. It closes automatically once the problem is cleared.

The Status Alert window opens under the conditions you select in the Monitoring Preferences dialog box.



If you wish to see information about printer consumables, click **Consumables**. Once this button is clicked, the Status Alert window will not disappear even after a problem is cleared. To close the window you need to click **Close**.

Stopping monitoring

You can stop monitoring the printing status by clearing the **Monitor the Printing Status** check box in the printer driver's Utility menu if you don't need to monitor the printer at all.

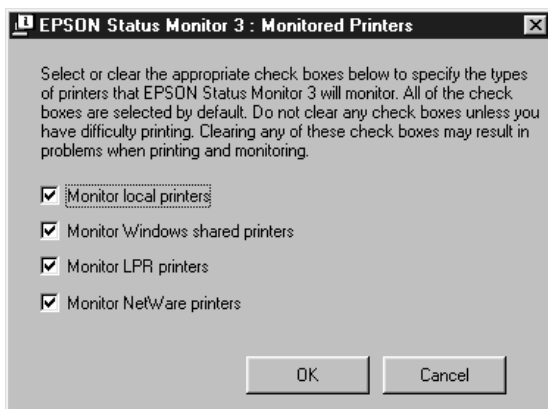
Note:

- ❑ *The **Monitor the Printing Status** check box is displayed in the Utility menu of Document Defaults in Windows NT 4.0, or in the Utility menu of Printing Preference in Windows XP/2000.*
- ❑ *You can find out the current printer status by clicking the **EPSON Status Monitor 3** icon in the printer driver's Utility menu.*

Setting Monitored Printers

You can use Monitored Printers utility to change the type of printers that EPSON Status Monitor 3 will monitor. When you install EPSON Status Monitor 3, this utility is also installed. Usually, it is not necessary to change a setup.

1. Click Start, point to Programs, point to EPSON Printers, then click the Monitored printers.
2. Clear the check box of the printers which are not monitored.



3. Click OK to accept the setting.

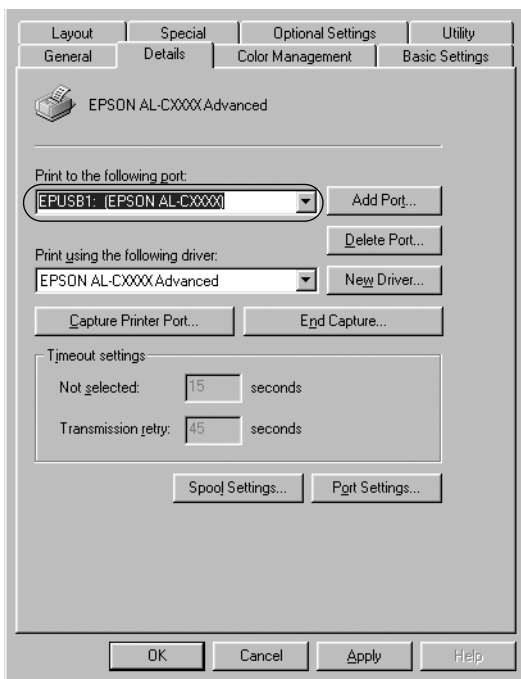
Setting for the USB Connection

The USB interface that comes with your printer complies with Microsoft Plug and Play (PnP) USB specifications.

Note:

Only PC systems equipped with a USB connector and running Windows XP, Me, 98, and 2000 support the USB interface.

1. Click Start, point to Settings, then click Printers.
2. Right-click the EPSON AL-C8600 Advanced icon, and click Properties on the menu that appears.
3. Click the Details tab. In Windows 2000, click the Port tab.
4. Select the appropriate USB port from the Print to the following port drop-down list. In Windows Me or 98, select EPUSB1(EPSON AL-C8600 Advanced). In Windows XP/2000, select USB001 in the list on the Ports menu.



Note:

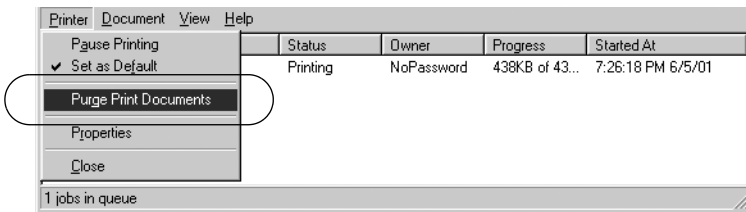
This screen is a Windows 98 screen.

5. Click OK to save this setting.

Canceling Printing

If the printouts are not what you expected and display incorrect or garbled characters or images, you may need to cancel printing. When the printer icon is displayed on the taskbar, follow the instructions below to cancel the printing.


Double-click the printer icon on the task bar, then click Purge Print Documents from the Printer menu.



After the last page is output, the Ready (green) light on the printer turns on.

The current job is canceled.

Note:

You can also cancel the current print job that is sent from your computer, by pressing the  Job Cancel button on the printer's control panel. When canceling the print job, be careful not to cancel print sent by other users.

Uninstalling the Printer Software

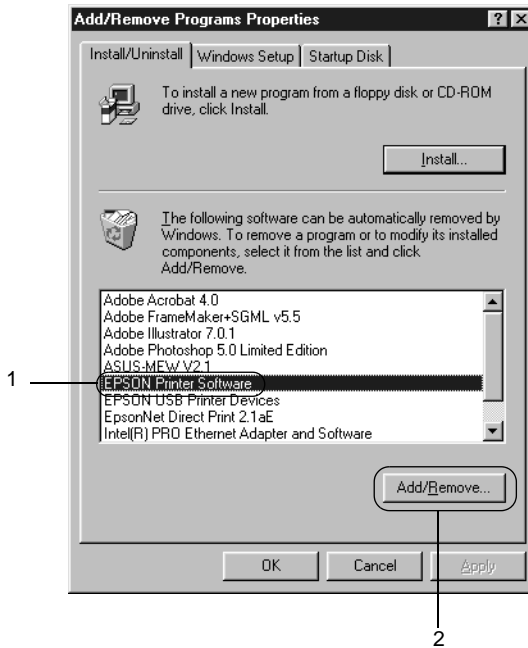
When you wish to reinstall or upgrade the printer driver, uninstall the printer driver that has been installed already.

Uninstalling the printer driver and EPSON Status Monitor 3

1. Quit all applications.
2. Click Start, point to Settings, and click Control Panel.
3. Double-click the Add/Remove Programs icon.



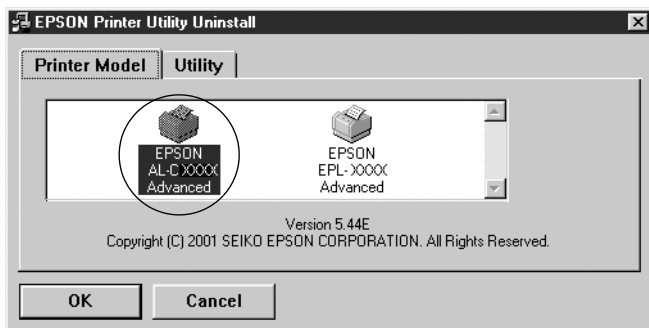
4. Select EPSON Printer Software, and click the Add/Remove.



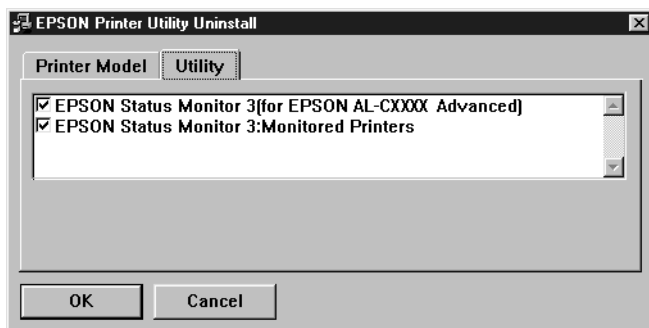
Note:

When using the Windows XP or Windows 2000 computer, click Change or Remove Programs, select the EPSON Printer Software, then click Change/Remove .

5. Click the Printer Model menu, select the EPSON AL-C8600 Advanced icon, then click OK.



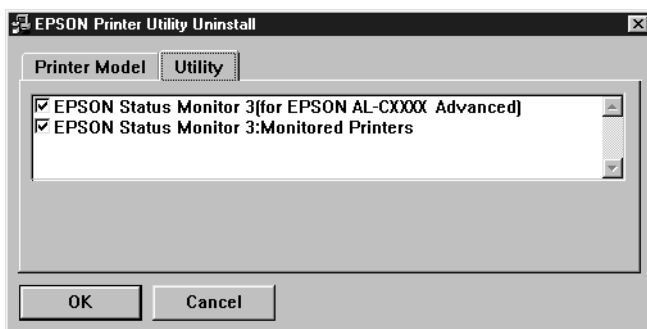
6. Click the Utility tab, and confirm the EPSON Status Monitor 3 check box is selected.



Note:

Select the EPSON Status Monitor 3 check box only when uninstalling EPSON Status Monitor 3.

7. If you uninstall the Monitored Printers utility, select the EPSON Status Monitor 3: Monitored Printers check box, and click OK.



Note:

You can uninstall only the Monitored Printers utility of EPSON Status Monitor 3. When the utility is uninstalled, you cannot change the setting of Monitored Printers from EPSON Status Monitor 3 of other printers.

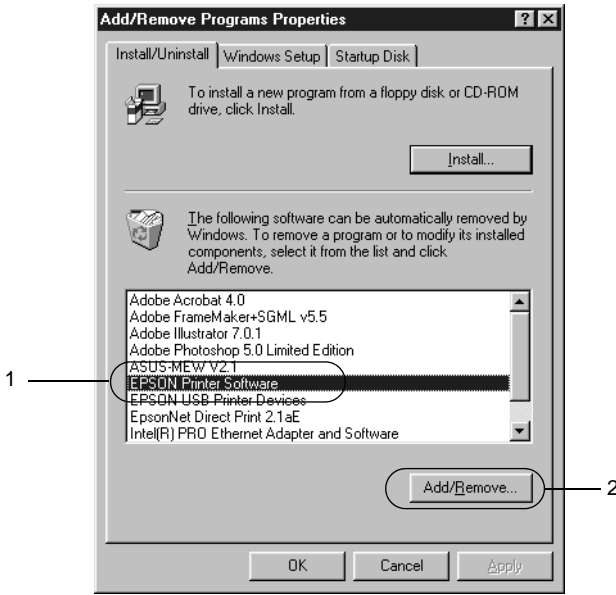
8. Follow the on-screen instructions.

Uninstalling EPSON Status Monitor 3 only

1. Quit all applications.
2. Click Start, point to Settings, then click Control Panel.
3. Double-click the Add/Remove Programs icon.



4. Select EPSON Printer Software, and click Add/Remove.



Note:

When using Windows 2000, click Change or Remove Programs, select EPSON Printer Software, then click Change/Remove.

Uninstall the USB device driver

When you connect the printer to your computer with a USB interface cable, the USB device driver is also installed. When you uninstalled the printer driver, you also need to uninstall the USB device driver.

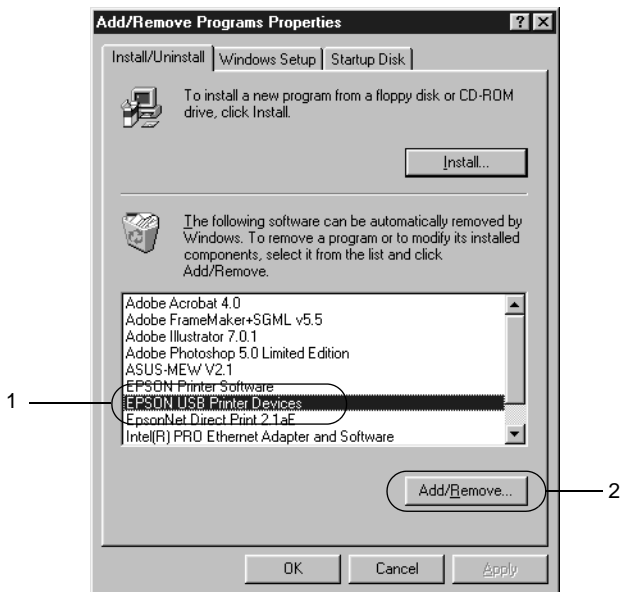
Follow these steps to uninstall the USB device driver.

Note:

- ❑ Uninstall the printer driver before uninstalling the USB device driver.

- ❑ *Once you uninstalled the USB device driver, you cannot access any other EPSON printers connected with a USB interface cable.*

1. Follow steps 1 through 3 of “Uninstalling the Printer Software” on page 104.
2. Select EPSON USB Printer Devices, and click Add/Remove.



Note:

- ❑ *EPSON USB Printer Devices appears only when the printer is connected to Windows Me or 98 with a USB interface cable.*

□ *If the USB device driver is not installed correctly, **EPSON USB Printer Devices** may not appear. Follow these steps to run the “Epusbun.exe” file in the CD-ROM that comes with your printer.*

1. Insert the CD-ROM in your computer’s CD-ROM drive.
 2. Access the CD-ROM drive.
 3. Double-click the Win9x folder.
 4. Double-click the Epusbun.exe icon.
-
3. Follow the on-screen instructions.

Setting Up Your Printer on a Network

Sharing the Printer

This section describes how to share the printer on a standard Windows network.

The computers on a network can share a printer that is directly connected to one of them. The computer that is directly connected to the printer is the printer server, and the other computers are the clients which need permission to share the printer with the printer server. The clients share the printer via the printer server.

According to the versions of Windows OS and your access rights on the network, perform the appropriate settings of the printer server and clients.

Setting the printer server

- ❑ For Windows Me/98/95, see “Setting up Your Printer as a Shared Printer” on page 112.
- ❑ For Windows 2000/XP/NT 4.0, see “Using an Additional Driver” on page 114.

Setting the clients

- ❑ For Windows Me/98/95, see “With Windows Me/98/95” on page 120.
- ❑ For Windows 2000/XP, see “With Windows 2000/XP” on page 122.
- ❑ For Windows NT 4.0, see “With Windows NT 4.0” on page 125.

Note:

- ❑ *When sharing the printer, be sure to set EPSON Status Monitor 3 so that the shared printer can be monitored on the printer server. See “Setting Monitoring Preferences” on page 98.*
- ❑ *The printer server and clients should be set on the same network system, and they should be under the same network management beforehand.*
- ❑ *The on-screen displays on the following pages may differ depending on the version of Windows OS.*

Setting up Your Printer as a Shared Printer

When the printer server’s OS is Windows Me/98/95, follow these steps to set the printer server.

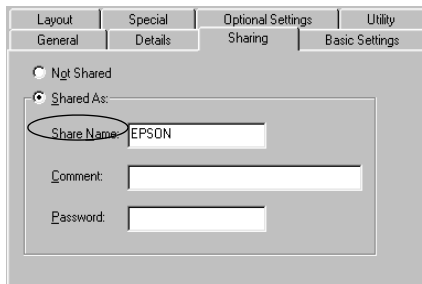
1. Click Start, point to Settings, and click Control Panel.
2. Double-click the Network icon.
3. Click File and Print Sharing on the Configuration menu.
4. Select the I want to be able to allow others to print to my printer(s). check box, then click OK.
5. Click OK to accept the settings.

Note:

- ❑ *When “Insert the Disk” appears, insert the Windows Me/98/95 CD-ROM in the computer. Click OK and then follow the on-screen instructions.*
- ❑ *When the prompt to restart the computer appears, restart the computer and continue with the settings. See “For users restarting the computer” on page 113.*

For users restarting the computer

1. Double-click the Printers icon on the control panel.
2. Right-click the EPSON AcuLaser C8600 Advanced icon, and click Sharing in the menu that appears.
3. Select Shared As, type the name in the Share Name box, and click OK. Type a Comment and Password if needed.



Note:

- ❑ *Do not use spaces or hyphens for the share name, or an error may occur.*
- ❑ *When sharing the printer, be sure to set EPSON Status Monitor 3 so that the shared printer can be monitored on the printer server. See “Setting Monitoring Preferences” on page 98.*

You need to set the client computers so that they can use the printer on a network. See the following pages for details.

- ❑ “With Windows Me/98/95” on page 120
- ❑ “With Windows 2000/XP” on page 122
- ❑ “With Windows NT 4.0” on page 125

Using an Additional Driver

When the printer server's OS is Windows 2000, XP, or Windows NT 4.0, you can install the additional drivers in the server. The additional drivers are for client computers that have different OS from the server.

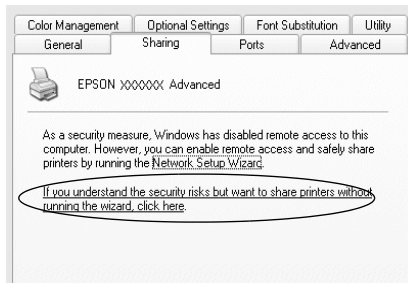
Follow these steps to set a Windows 2000, XP, or Windows NT 4.0 as a printer server, and install the additional drivers.

Note:

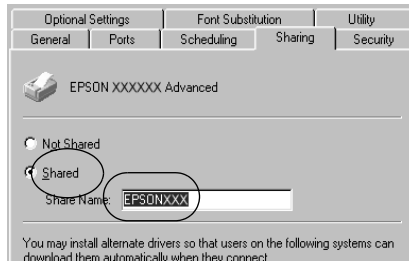
You must access Windows 2000, XP, or Windows NT 4.0 as the Administrators of the local machine.

1. For a Windows 2000 or NT 4.0 printer server, click **Start**, point to **Settings**, and click **Printers**.
For a Windows XP printer server, click **Start**, point to **Printers and Faxes**. For Windows XP Home edition users, point to **Control panel** first, then click **Printers and Faxes**.
2. Right-click the EPSON AcuLaser C8600 Advanced icon, and click **Sharing** in the menu that appears.

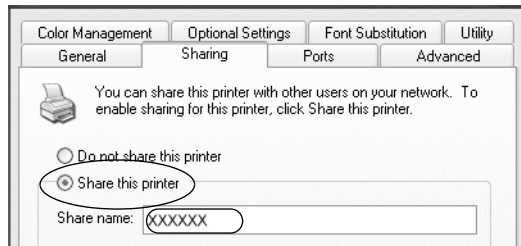
For Windows XP, if the following menu appears, click **If you understand the security risks but want to share printers without running the wizard**, click here.



3. For a Windows 2000 or NT 4.0 printer server, select **Shared** (for Windows 2000), or **Shared as** (for Windows NT 4.0), then type the name in the Share Name box.



For a Windows XP printer server, select **Share this printer**, then type the name in the Share name box.



Note:

Do not use spaces or hyphens for the share name, or an error may occur.

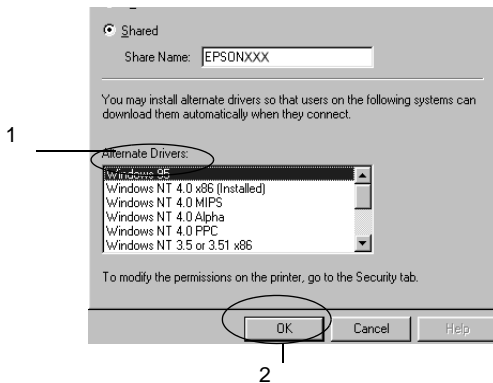
4. Select the additional drivers.

Note:

If the computers of the server and clients use the same OS, you do not have to install the additional drivers. Just click OK after step 3.

On a Windows NT 4.0 printer server

Select Windows being used for clients. For example, select Windows 95 to install the additional driver for the Windows Me/98/95 clients. Then click OK.



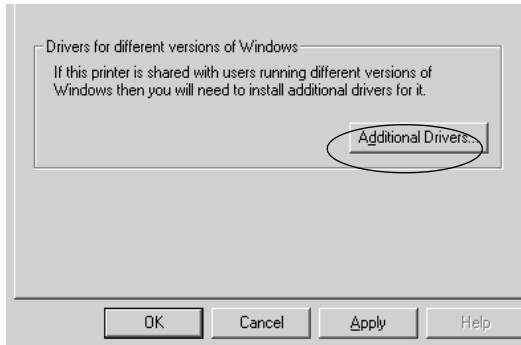
Note:

- ❑ *You do not have to select Windows NT 4.0x86, because that driver has been already installed.*

- ❑ *Do not select additional drivers other than Windows 95. The other additional drivers are not available.*

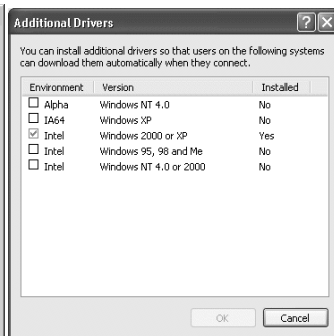
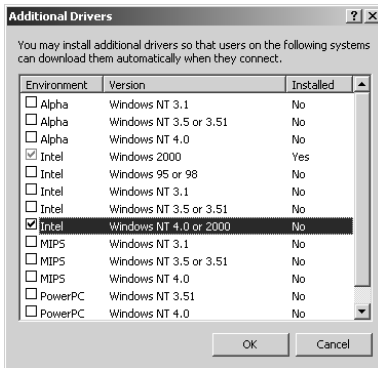
On the Windows 2000/XP printer server

Click Additional Drivers.



Select Windows being used for clients then click OK.

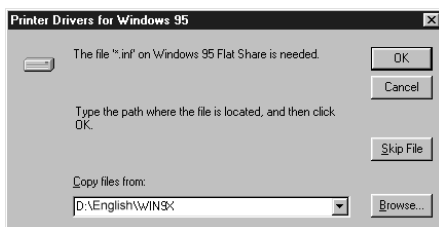
For Windows Me/98/95 clients	Select Intel Windows 95 or 98 (and Me)
For Windows NT 4.0 clients	Select Intel Windows NT 4.0 or 2000
For Windows 2000/XP clients	Intel Windows 2000 (or XP) may be already selected.



Note:

- ❑ *You do not have to install the additional driver for Intel Windows 2000 (or XP) only, because that driver is preinstalled.*
- ❑ *Do not select additional drivers other than Intel Windows 95 or 98 (and Me) and Intel Windows NT 4.0 or 2000. The other additional drivers are not available.*

5. When a prompt appears, insert the CD-ROM that comes with your printer in your CD-ROM drive, then click OK.
6. According to the message, type the appropriate drive and folder names in which the printer driver for clients is located, then click OK.
Depending on the client's OS, the displayed message may differ.



The folder name differs depending on the OS being used.

Client's OS	Folder Name
Windows Me/98/95	\<Language>\WIN9X
Windows NT 4.0	\<Language>\WINNT40

When installing drivers in Windows 2000/XP, "Digital Signature is not found." may appear. Click Yes (for Windows 2000) or Continue Anyway (for Windows XP) and continue installing.

7. When installing in Windows 2000/XP, click **Close**. When installing in Windows NT 4.0, the property window closes automatically.

Note:

Confirm the following items when sharing the printer.

- Be sure to set the EPSON Status Monitor 3 so that the shared printer can be monitored on the printer server. See “Setting Monitoring Preferences” on page 98.*
- Set the security for the shared printer (access right for clients). Clients can not use the shared printer without right. For details, see Windows help.*

You need to set the client computers so that they can use the printer on a Network. See the following pages for details:

- “With Windows Me/98/95” on page 120
- “With Windows 2000/XP” on page 122
- “With Windows NT 4.0” on page 125

Setting for the clients

This section describes how to install the printer driver by accessing the shared printer on a network.

Note:

- To share the printer on a Windows network, you need to set the printer server. For details, see “Setting up Your Printer as a Shared Printer” on page 112 (Windows Me/98/95) or “Using an Additional Driver” on page 114 (Windows 2000/XP/NT 4.0).*

- ❑ *This section describes how to access the shared printer on a standard network system using the server (Microsoft workgroup). If you cannot access the shared printer due to the network system, ask the administrator of the network for assistance.*
- ❑ *This section describes how to install the printer driver by accessing the shared printer from the **Printers** folder. You can also access the shared printer from Network Neighborhood or My Network on the Windows desktop.*
- ❑ *When you want to use the EPSON Status Monitor 3 at clients, you have to install both of the printer driver and the EPSON Status Monitor 3 in each client from the CD-ROM.*

With Windows Me/98/95

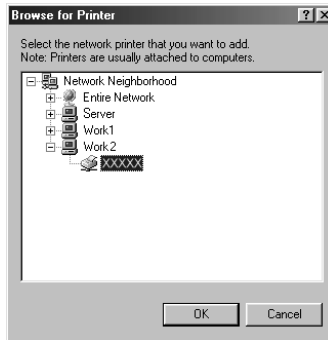
Follow these steps to set Windows Me/98/95 clients:

1. Click Start, point to Settings, and click Printers.
2. Double-click the Add Printer icon, then click Next.
3. Select Network printer, then click Next.
4. Click Browse, and the Browse for Printer dialog box appears.

Note:

You can also type "\\(the name of the computer that is locally connected to the shared printer)\(the shared printer's name)" in the Network path or queue name.

5. Click the computer or server that is connected to the shared printer, and the name of the shared printer. Then click OK.



Note:

The name of the shared printer may be changed by the computer or server that is connected to the shared printer. To make sure of the name of the shared printer, ask the administrator of the network.

6. Click Next.

Note:

- If the printer driver is installed in the client beforehand, you need to select the new printer driver or the current printer driver. When the prompt to select the printer driver appears, select the printer driver according to the message.*
- If the printer server's OS is Windows Me/98/95 or the additional driver for Windows Me/98/95 is installed in the Windows 2000/XP/NT 4.0 printer server, go to the next step.*
- If the additional driver for Windows Me/98/95 is not installed in the Windows 2000/XP/NT 4.0 printer server, go to "Installing the Printer Driver from the CD-ROM" on page 127.*

7. Make sure of the name of the shared printer, and select whether to use the printer as the default printer or not. Click OK, and then follow the on-screen instructions.

Note:

You can change the shared printer's name so that it appears only on the client computer.

With Windows 2000/XP

Follow these steps to set Windows 2000/XP clients.

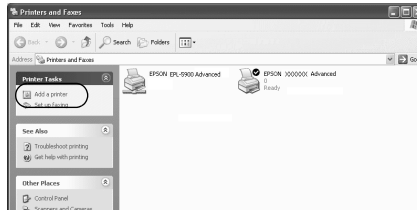
You can install the printer driver of the shared printer, if you have Power Users or more powerful access rights even if you are not have Administrator.

If the printer server's OS is Windows NT 4.0, confirm the following items.

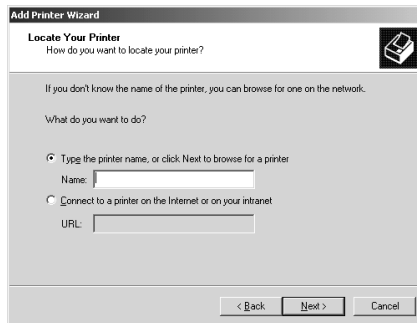
- ❑ In a Windows NT 4.0 printer server, the additional driver for Windows 2000/XP clients is the "Windows NT 4.0 x86" driver which is installed beforehand as the printer driver for Windows NT 4.0. When installing the printer driver in the Windows 2000/XP clients from Windows NT 4.0 printer server, the driver for Windows NT 4.0 is installed.
 - ❑ You can not install the printer driver for Windows 2000/XP as the additional driver in a Windows NT 4.0 printer server. To install the printer driver for Windows 2000/XP in Windows 2000/XP clients, the administrator installs the local printer driver in the clients from the CD-ROM that comes with the printer, then performs the following procedure.
1. For Windows 2000 clients, click **Start**, point to **Settings**, and click **Printers**.
For Windows XP clients, click **Start**, point to **Printers and Faxes**. For Windows XP Home edition users, point to **Control panel** first, then click **Printers and Faxes**.

2. For Windows 2000, double-click the Add Printer icon, then click Next.

For Windows XP, click the Add a printer in the Printer Tasks menu.



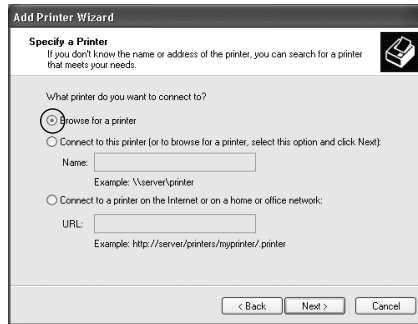
3. Select Network printer (for Windows 2000) or A network printer, or a printer attached to another computer (for Windows XP), then click Next.
4. For Windows 2000, type the name of the shared printer, then click Next.



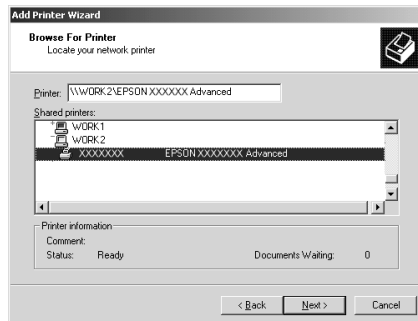
Note:

- ❑ You can also type “\\(the name of the computer that is locally connected to the shared printer)\(the shared printer’s name)” in Network path or queue name.
- ❑ You do not necessarily need to type the name of the shared printer.

For Windows XP, select Browse for a printer.



5. Click the icon of the computer or server that is connected to the shared printer, and the name of the shared printer. Then click OK.



Note:

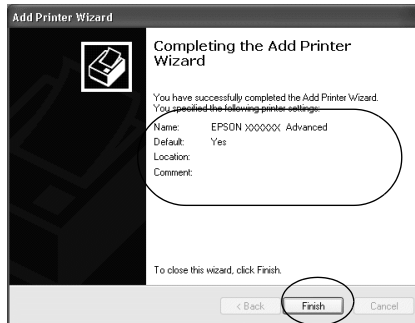
- *The name of the shared printer may be changed by the computer or server that is connected to the shared printer. To make sure of the name of the shared printer, ask the administrator of the network.*

- ❑ *If the printer driver is installed in the client beforehand, you need to select either the new printer driver or the current printer driver. When the prompt to select the printer driver appears, select the printer driver according to the message. If the local printer driver for Windows 2000/XP is installed beforehand, you can select the printer driver for Windows 2000/XP as the current printer driver instead of the alternative driver in the Windows NT 4.0 server.*

 - ❑ *If the additional driver for Windows 2000/XP (NT 4.0) is installed in the Windows 2000/XP/NT 4.0 printer server, go to the next step.*

 - ❑ *If the additional driver is not installed in the Windows NT 4.0 printer server or the printer server's OS is Windows Me/98/95, go to "Installing the Printer Driver from the CD-ROM" on page 127.*
6. For Windows 2000, select whether to use the printer as the default printer or not, then click OK.

 7. Make sure of the settings, then click Finish.

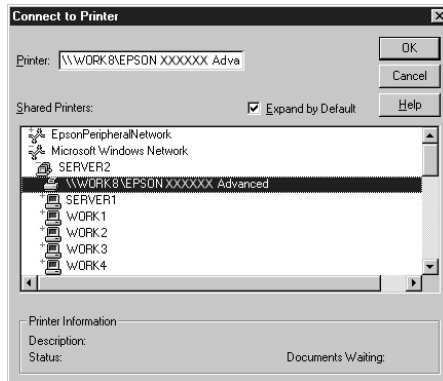


With Windows NT 4.0

Follow these steps to set Windows NT 4.0 clients:

You can install the printer driver of the shared printer, if you have Power Users or more powerful access rights even if you are not the Administrator.

1. Click Start, point to Settings, and click Printers.
2. Double-click the Add Printer icon.
3. Select Network printer server, then click Next.
4. Click the icon of the computer or server that is connected to the shared printer and the name of the shared printer. Then click OK.



Note:

- ❑ *You can also type “\\(the name of the computer that is locally connected to the shared printer)\(the shared printer’s name)” in Network path or queue name.*
- ❑ *The name of the shared printer may be changed by the computer or server that is connected to the shared printer. To make sure of the name of the shared printer, ask the administrator of the network.*

- ❑ *If the printer driver is installed in the client beforehand, you need to select the new printer driver or the current printer driver. When the prompt to select the printer driver appears, select the printer driver according to the message.*
 - ❑ *If the additional driver for Windows NT 4.0 is installed in the Windows 2000/XP printer server, go to the next step.*
 - ❑ *If the additional driver for Windows NT 4.0 is not installed in the Windows 2000/XP printer server or the printer server's OS is Windows Me/98/95, go to "Installing the Printer Driver from the CD-ROM" on page 127.*
5. Select whether to use the printer as the default printer or not, then click OK.
 6. Click Finish.

Installing the Printer Driver from the CD-ROM

This section describes how to install the printer driver in the clients when setting the network system as follows:

- ❑ The additional drivers are not installed in the Windows 2000/XP/NT 4.0 printer server.
- ❑ The printer server's OS is the Windows Me/98/95 and the client's OS is the Windows 2000/XP/NT 4.0.

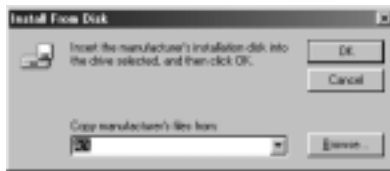
The on-screen displays on the following pages may differ depending on the version of Windows OS.

Note:

- ❑ *When installing in Windows 2000/XP/NT 4.0 clients, you must access Windows 2000/XP/NT 4.0 with the Administrator.*

□ *If the additional drivers are installed on the computers of the server and clients use the same OS, you do not have to install the printer drivers from the CD-ROM.*

1. Access the shared printer and a prompt may appear. Click **OK**, and then follow the on-screen instructions to install the printer driver from the CD-ROM.
2. Insert the CD-ROM, then type the appropriate drive and folder names in which the printer driver for clients is located, then click **OK**.



When installing drivers in Windows 2000/XP, “Digital Signature is not found.” may appear. Click **Yes** (for Windows 2000) or **Continue Anyway** (for Windows XP) and continue installing.

The folder name differs depending on the OS being used.

Client's OS	Folder Name
Windows Me/98/95	\<Language>\WIN9X
Windows 2000/XP	\<Language>\WIN2000
Windows NT 4.0	\<Language>\WINNT40

3. Select the name of the printer, then click **OK**. Then follow the on-screen instructions.

About the Printer Software

The printer software contains a printer driver and EPSON Status Monitor 3. The printer driver lets you choose from a wide variety of settings to get the best results from your printer. EPSON Status Monitor 3 is accessed through the Apple menu. EPSON Status Monitor 3 lets you check the status of your printer. See “Monitoring Your Printer by using EPSON Status Monitor 3” on page 155 for more information.

Accessing the Printer Driver


To control your printer and change its settings, use the printer driver. The printer driver allows you to easily make all the print settings, including paper source, paper size, and orientation.

Note:

The printer driver’s online help provides details on printer driver settings.

To access the printer driver and open the appropriate dialog box, select **Chooser** from the Apple menu and click the AL-C8600 icon beforehand.

- To open the Paper Setting dialog box, select **Page Setup** from the File menu on any application.
- To open the Basic Settings dialog box, select **Print** from the File menu on any application.

- ❑ To open the Layout dialog box, click the  Layout icon on the Basic Settings dialog box.

Making Changes to Printer Settings

Making the print quality setting

You can change the print quality of printouts through settings in the printer driver. The printer driver provides you with the choice of letting the printer make the settings automatically, choosing from a list of predefined settings, or customizing the settings.

Choosing the print quality by using the Automatic setting

You can change the print quality of printouts to favor speed or detail. If you need high quality output, choose a higher number. Please note that doing so reduces the print speed.

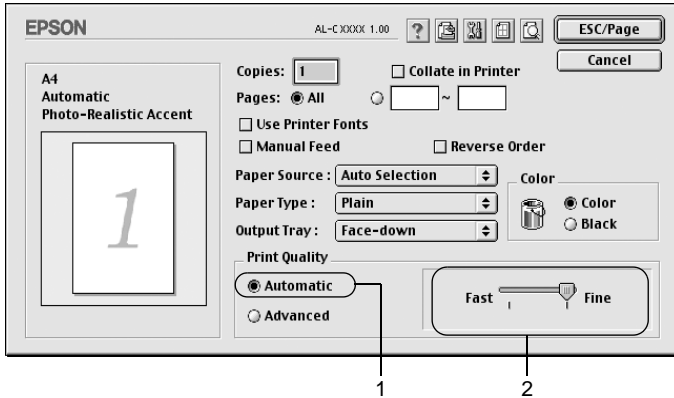
When the Automatic button is selected on the Basic Settings dialog box, the printer driver takes care of all detailed settings according to the color setting you select. Color and resolution are the only settings you need to make. You can change other settings such as paper size or orientation in most applications.

Note:


Online help provides more information on printer driver settings.

1. Open the Basic Settings dialog box.

2. Select the Automatic radio button on Print Quality. Then choose desired printing resolution from Fast (300 dpi) or Fine (600 dpi) with the slider bar.



Note:

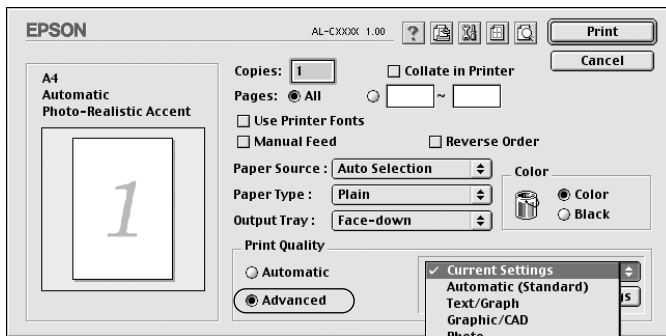
- ❑ For details about the RITech function, click the  help button.
- ❑ If printing is unsuccessful or a memory-related error message appears, selecting a lower resolution may allow printing to proceed.

Using the predefined settings

The predefined settings are provided to help you optimize print settings for a particular kind of printout, such as presentation documents or images taken by a video or digital camera.

Follow these steps to use the predefined settings.

1. Select the **Advanced** radio button on the Basic Settings dialog box. You will find the predefined settings in the list on the right of the **Automatic** radio button.



2. Select the most appropriate setting from the list according to the type of document or image you want to print.

When you choose a predefined setting, other settings such as Printing Mode, Resolution, Screen, and Color Management are set automatically. Changes are shown in the current settings list on the left of the Basic Settings dialog box.

This printer driver provides the following predefined settings:

Automatic (Standard)

Suitable for regular printing, especially photos.

Text/Graph

Suitable for printing documents that include text and graphs, such as presentation documents.

Graphic/CAD

Suitable for printing graphs and charts.

Photo

Suitable for printing photos.

PhotoEnhance4

Suitable for printing images captured using the video input, a digital camera, or scanner. EPSON PhotoEnhance4 automatically adjusts the contrast, saturation, and brightness of the original image data to produce sharper, more vivid color printouts. This setting does not affect your original image data.

ColorSync

Automatically adjusts printout colors to match colors on your screen.

Automatic (High Quality)

Suitable for regular printing that gives priority to high-quality printing.

Advanced Text/Graph

Suitable for printing high-quality presentation documents that include text and graphs.

Advanced Graphic/CAD

Suitable for printing high-quality graphs, charts, and photos.

Advanced Photo

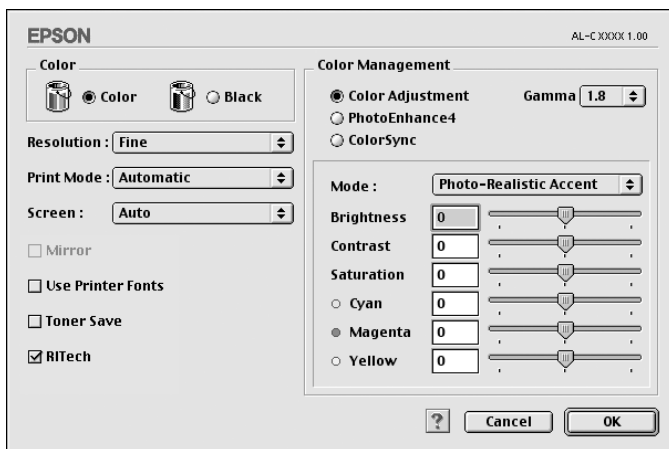
Suitable for printing high-quality scanned photos and digitally-captured images.


Customizing print settings

Many users will never need to make their own print settings manually. However, your printer provides for customized print settings if you need more control over the printout, want to make the most detailed settings available, or just want to experiment.

Follow these steps to customize your print settings.

1. Click the **Advanced** radio button on the Basic Settings dialog box, then click **More Settings**. The following dialog box appears.



2. Choose **Color** or **Black** as the Color setting.
3. Choose desired printing resolution from 300 dpi or 600 dpi with the Resolution slider bar, then make other settings. For details on each setting, see the  button.
4. Click **OK** to apply your settings and return to the Basic Settings tab. Click **Cancel** to return to the Basic Settings dialog box without applying your settings.

Saving your settings

To save your custom settings, select the **Advanced** radio button and click **Save Settings** on the Basic Settings dialog box. The Custom Settings dialog box appears.

Type a name for your custom settings in the Name box, and click **Save**. Your settings will appear in the list on the right of the Automatic radio button in the Basic Settings dialog box.

Note:


- ❑ *You cannot use a predefined setting name for your custom settings.*
- ❑ *To delete a custom setting, select the **Advanced** radio button and click **Save Settings** on the Basic Settings dialog box, select the setting in the User Settings dialog box and then click **Delete**.*
- ❑ *You cannot delete predefined settings.*

If you change any setting in the Advanced Settings dialog box when one of your custom settings is selected in the Advanced Settings list on the Basic Settings dialog box, the setting selected in the list changes to User Settings. The custom setting that was previously selected is not affected by this change. To return to your custom setting, simply reselect it from the current settings list.

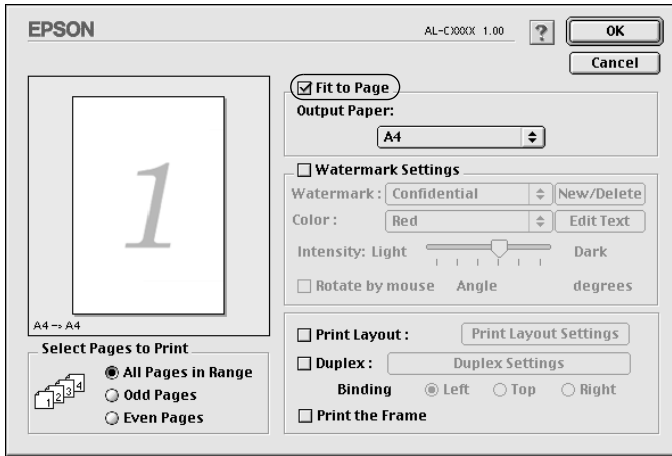
Resizing printouts

The Fit to Page function in the Layout dialog box allows you to have your documents enlarged or reduced during printing according to the specified paper size.

Note:

- ❑ *The enlarging or reducing rate is automatically specified according to the paper size selected in the Paper Setting dialog box.*
 - ❑ *The modifying or reducing rate selected in the Paper Setting dialog box is not available.*
1. Click the  Layout icon on the Basic Settings dialog box. The Layout dialog box appears.

2. Select the Fit to Page check box.



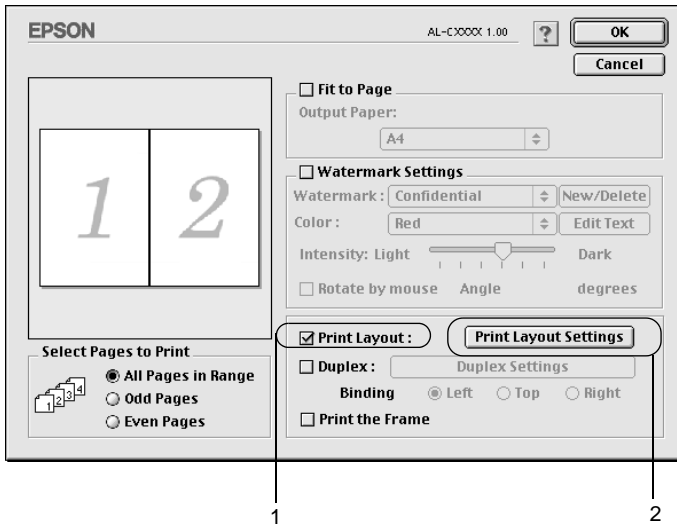
3. Select the desired paper size from the Output Paper drop-down list. The page will be printed to fit on the paper you have selected.
4. Click OK to accept the settings.

Modifying the print layout

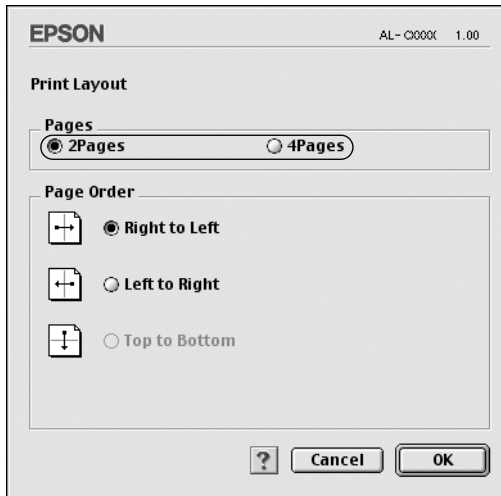
You can print either two or four pages onto a single page and to specify the printing order, automatically resizing each page to fit the specified paper size by using Layout printing. You can also choose to print documents surrounded by a frame.

1. Click the  Layout icon on the Basic Settings dialog box. The Layout dialog box appears.

2. Select the Print Layout check box, then click Print Layout Settings. The Print Layout Setting dialog box appears.



3. Select the number of pages you want to print on one sheet of paper.



4. Select the page order in which the pages are printed on each sheet.


Note:

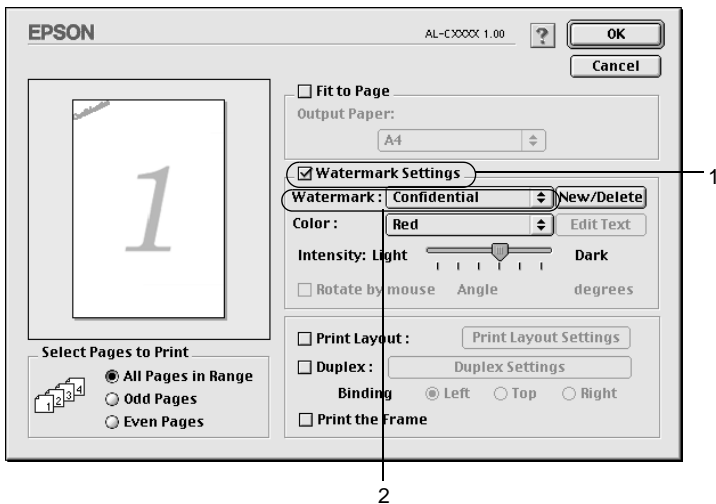
Page Order choices depend on Pages selected above, and Orientation.

5. Click OK to close the Print Layout Setting dialog box.
6. Select the Print the Frame check box on the Layout dialog box when you want to print the pages surrounded by a frame.
7. Click OK on the Layout dialog box to accept the settings.

Using a watermark

Follow the steps to use a watermark on your document. In the Layout dialog box, you can select from a list of predefined watermarks, or you can select a bitmap (PICT) file or text file as your own custom watermark. The Layout dialog box also allows you to make a variety of detailed watermark settings. For example, you can select the size, intensity, and position of your watermark.

1. Click the  Layout icon on the Basic Settings dialog box. The Layout dialog box appears.
2. Select the **Watermark Settings** check box and a watermark from the Watermark drop-down list.




3. Select the location on the page where you want to print the watermark by dragging the watermark image on the preview window. Also, when you want to resize the watermark, drag its handle.

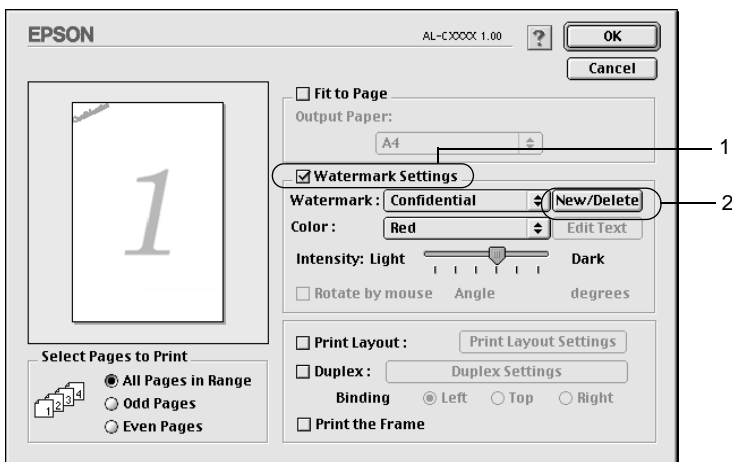
- Adjust the image intensity of the watermark with the Intensity slider bar.
- For your own custom text watermark, you can rotate it by inputting the degrees in the Angle box. Or select the Rotate by mouse check box, and rotate the text watermark with the pointer on the preview window.
- Click OK to accept the settings.

Making a new watermark

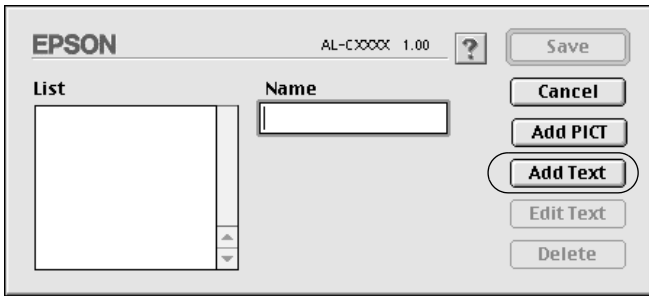
You can make a new text or bitmap watermark with the following procedures.

To make a text watermark

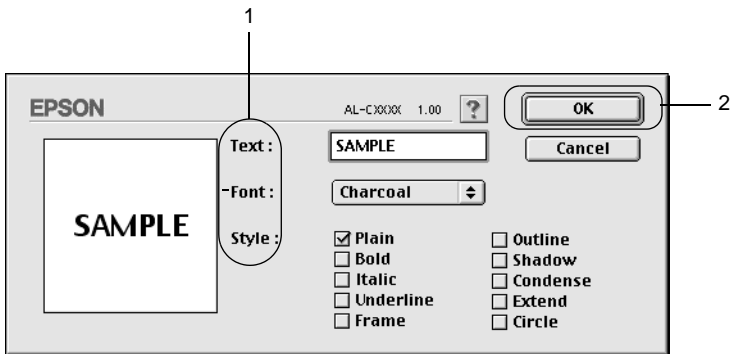
- Click the  Layout icon on the Basic Settings dialog box. The Layout dialog box appears.
- Select the Watermark Settings check box and click New/Delete. The Custom Watermark dialog box appears.



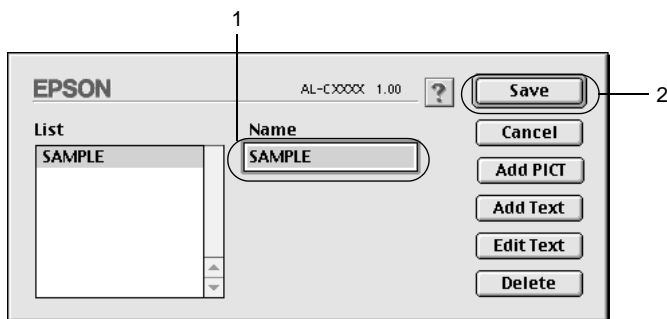
3. Click Add Text on the Custom Watermark dialog box.



4. Type the watermark text in the Text box, and select the Font and Style, and then click OK on the Text Watermark dialog box.



5. Type the file name in the Name box, and click Save.




Note:

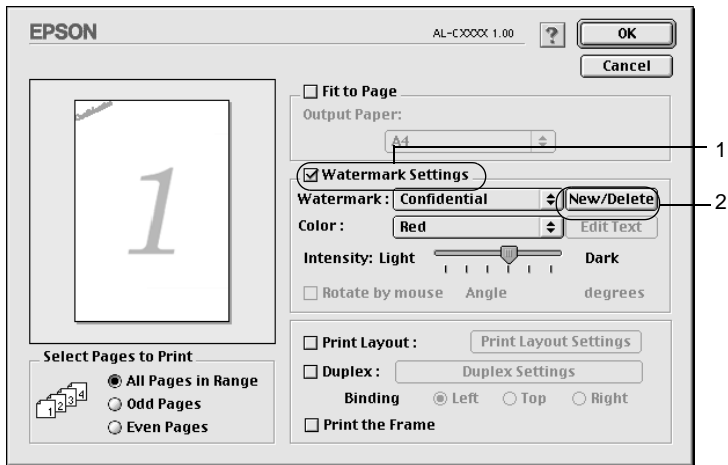
- ❑ To edit the saved text watermark, select it from the List box, and click **Edit Text**. After editing, be sure to click **OK** to close the dialog box.
 - ❑ To remove the saved text watermark, select it from the List box, and click **Delete**. After removing it, be sure to click **Save** to close the dialog box.
6. Select the saved custom watermark from the Watermark drop-down list on the Layout dialog box. Then click **OK**.

To make a bitmap watermark

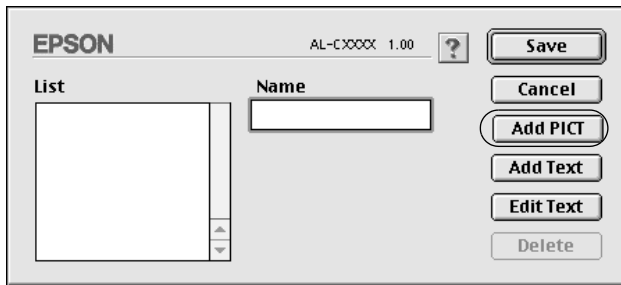
Before making a custom watermark, you should prepare a bitmap (PICT) file.

1. Click the  Layout icon on the Basic Settings dialog box. The Layout dialog box appears. The Custom Watermark dialog box appears.

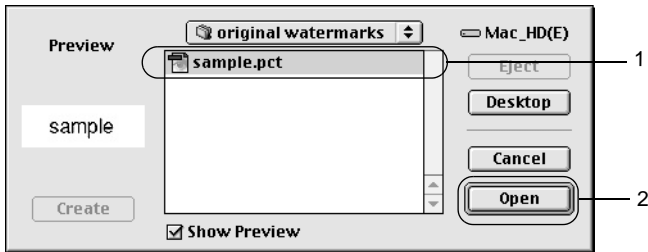
2. Select the Watermark Settings check box and click New/Delete.



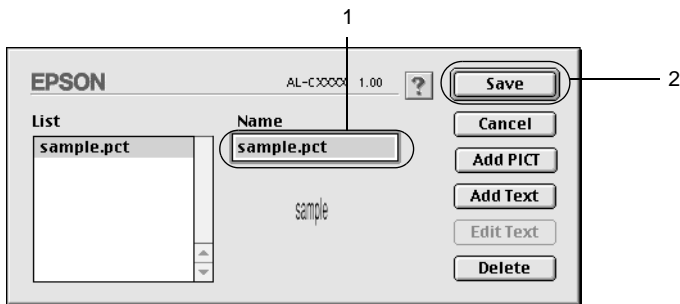
3. Click Add PICT on the Custom watermark dialog box.



4. Select the PICT file and click **Convert**. When you click **Create**, the watermark is displayed on the preview window.



5. Type the file name in the Save converted file as box, and click **Save**.



Note:


To remove the saved watermark, select it from the List box, and click **Delete**. After removing it, be sure to click **Save** to close the dialog box.

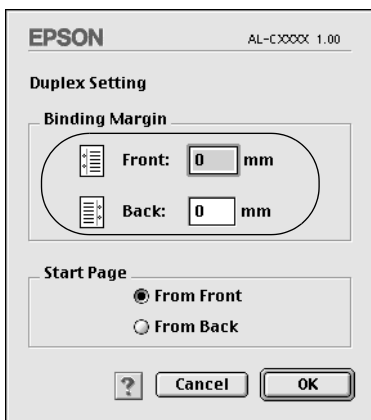
6. Select the saved custom watermark from the Watermark drop-down list on the Layout dialog box. Then click **OK**.

Printing with the Duplex Unit

Duplex printing prints on both sides of the paper. When printing for binding, the binding edge can be specified as required to produce the desired page order.


To use Printing for Binding, the optional Duplex Unit must be installed and enabled in the printer driver. To enable the Duplex Unit, select the AL-C8600 icon and close Chooser. However, the Duplex Unit is enabled automatically when this unit is installed and the printer is connected with the computer correctly.

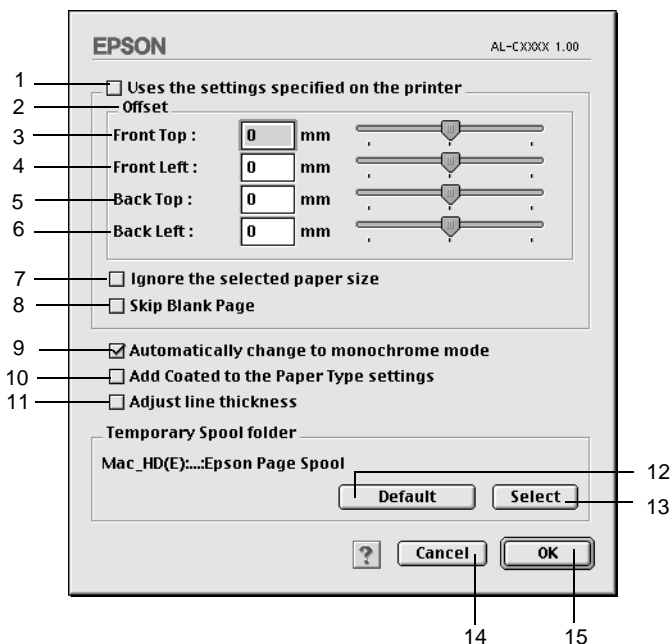
1. Click the  Layout icon on the Basic Settings dialog box. The Layout dialog box appears.
2. Select the Duplex check box.
3. Select a Binding position from Left, Top, or Right.
4. Click Duplex Settings to open the Duplex Settings dialog box.
5. Specify the Binding Margin for the front and back sides of the paper.



6. Select whether the front or back side of the paper is to be printed as the Start Page.
7. Click OK to close the Duplex Settings dialog box.
8. Click OK on the Layout dialog box to accept the settings.

Making Extended Settings

You can make various settings in the Extended Setting dialog box, for example Page Protect. To open the dialog box, click the  Extended Setting icon on the Basic Settings dialog box.



1. Uses the settings specified on the printer check box: Select this button to use the Offset, Skip blank page, and Ignore the selected paper size settings in the control panel.
2. Offset: Makes fine adjustments to the printing position of data on a page.
3. Front Top: Adjusts the vertical printing position of data on the front of a page.
4. Front Left: Adjusts the horizontal printing position of data on the front of a page.
5. Back Top: Adjusts the vertical printing position of data on the back of a page when printing with the duplex unit.
6. Back Left: Adjusts the horizontal printing position of data on the back of a page when printing with the duplex unit.
7. Ignore the selected paper size check box: When you select this check box, the printer prints on loaded paper, regardless of size.
8. Skip Blank Page check box: When you select this check box, the printer skips blank pages.

- | | |
|---|--|
| 9. Automatically change to monochrome mode check box: | Select this check box to have the printer driver analyze the printing data, and automatically switch to monochrome mode if the printing data is black and white. |
| 10. Add Coated to the Paper Type settings check box: | When you select this check box, Coated appears in the Paper Type list on the Basic Settings dialog box and become available. |
| 11. Adjust line thickness check box: | Adjusts the width of the lines printed. |
| 12. Default button: | Returns to initials settings. |
| 13. Select button: | Selects spool file saving folder. |
| 14. Cancel button: | Clicking this button exits the dialog box or printer driver without saving your settings. |
| 15. OK button: | Clicking this button saves your settings and exit the dialog box or printer driver. The settings are effective until you make new settings and click OK again. |

Using the Reserve Job Function

The Reserve Job function allows you to store print jobs in the printer's Hard Disk Drive and to print them later directly from the printer's control panel. Follow the instructions in this section to use the Reserve Job function.

Note:

You need an optional Hard Disk Drive installed in your printer in order to use the Reserve Job function. Make sure that the drive is correctly recognized by the printer driver before you start using the Reserve Job function.

The table below gives an overview of the Reserve Job options. Each option is described in detail later in this section.

Reserve Job Option	Description
Re-Print Job	Lets you print the job now and store it for later reprinting.
Verify Job	Lets you print one copy now to verify the content before printing multiple copies.
Stored Job	Lets you save the print job without printing it now.
Confidential Job	Lets you apply a password to the print job and save it for later printing.

Jobs stored in the Hard Disk Drive are handled differently depending on the Reserve Job option. Refer to the tables below for details.


Reserve Job Option	Maximum Number of Jobs	When Maximum is Exceeded	When Drive is Full
Re-Print Job + Verify Job	64 (combined total)	Oldest job automatically replaced with newest	Oldest job automatically replaced with newest
Stored Job	64	Delete old jobs manually	Delete old jobs manually
Confidential Job	64		

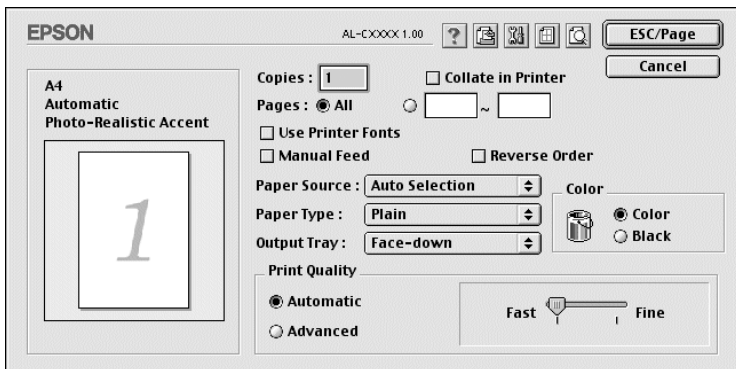
Reserve Job Option	After Printing	After Turning Off Printer or Using Reset All
Re-Print Job	Data remains in hard drive	Data is cleared
Verify Job		
Stored Job		Data remains in hard drive
Confidential Job	Data is cleared	Data is cleared

Re-Print Job

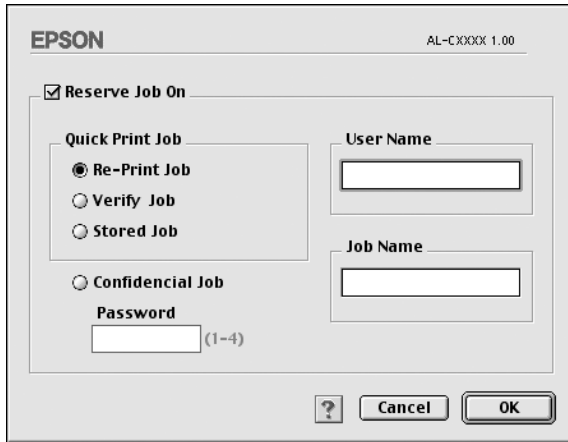
The Re-Print Job option allows you to store the job you are currently printing so that you can reprint it later directly from the control panel.

Follow these steps to use the Re-Print Job option.

1. Make printer driver settings as appropriate for your document, then open the Basic Settings menu and click the  Reserve Jobs icon. The Reserve Jobs Settings dialog box appears.



2. Select the Reserve Job On check box and the Re-Print Job radio button.




3. Enter a user name and job name in the corresponding text boxes.
4. Click OK. The printer prints your document, and stores the print job data on the Hard Disk Drive. To reprint or delete this data using the printer's control panel, see "Using the Quick Print Job Menu" on page 170.

Verify Job

The Verify Job option allows you to print one copy in order to verify the content before printing multiple copies.

Follow these steps to use the Verify Job option.

1. Specify the number of copies to be printed, and make other printer driver settings as appropriate for your document.
2. Open the Basic Settings dialog box and click the  Reserve Jobs icon. The Reserve Jobs Settings dialog box appears.

3. Select the Reserve Job On check box and the Verify Job radio button.

The screenshot shows a dialog box with the following elements:


- EPSON logo and version AL-CXXXX1.00
- Reserve Job On
- Quick Print Job section:
 - Re-Print Job
 - Verify Job
 - Stored Job
- Confidential Job section:
 - Confidential Job
- Password field: (1-4)
- User Name field:
- Job Name field:
- Buttons: ? (help), Cancel, OK

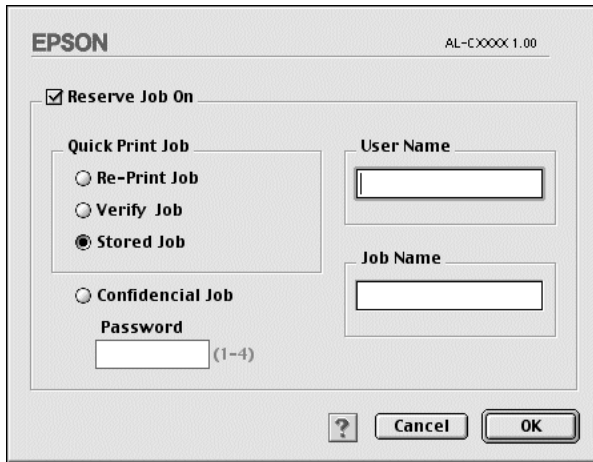
4. Enter a user name and job name in the corresponding text boxes.
5. Click OK. The printer prints one copy of your document, and stores the print data with information on the number of remaining copies on the Hard Disk Drive. After you have confirmed the printout, you can print the remaining copies or delete this data using the printer's control panel. See "Using the Quick Print Job Menu" on page 170 for instructions.

Stored Job

The Stored Job option is useful for storing documents you print on a regular basis, such as invoices. The stored data remains on the Hard Disk Drive even if you turn off the printer or reset it using the Reset All function.

Follow these steps to store print data using the Stored Job option.

1. Make printer driver settings as appropriate for your document, then open the Basic Settings menu and click the  Reserve Jobs icon. The Reserve Jobs Settings dialog box appears.
2. Select the Reserve Job On check box and the Stored Job radio button.




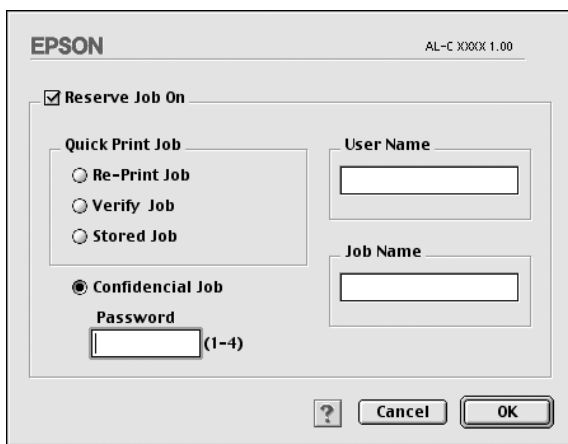
3. Enter a user name and job name in the corresponding text boxes.
4. Click OK. The printer stores the print data in the Hard Disk Drive. To print or delete this data using the printer's control panel, see "Using the Quick Print Job Menu" on page 170.

Confidential Job

The Confidential Job option allows you to apply passwords to print jobs stored on the Hard Disk Drive.

Follow these steps to store print data using the Confidential Job option.

1. Make printer driver settings as appropriate for your document, then open the Basic Settings dialog box and click the  Reserve Jobs icon. The Reserve Jobs Settings dialog box appears.
2. Select the Reserve Job On check box and click the Confidential Job button.



The image shows the EPSON Reserve Jobs Settings dialog box. At the top left is the EPSON logo, and at the top right is the model number AL-C XXXXX 1.00. A checked checkbox labeled "Reserve Job On" is at the top left of the main area. Below it, there are two sections. The first section is titled "Quick Print Job" and contains three radio button options: "Re-Print Job", "Verify Job", and "Stored Job". The second section is titled "Confidential Job" and contains a selected radio button, a "Password" label, and a text box with "(1-4)" next to it. To the right of these sections are two text boxes labeled "User Name" and "Job Name". At the bottom of the dialog box are three buttons: a help button with a question mark, a "Cancel" button, and an "OK" button.

3. Enter a user name and job name in the corresponding text boxes.
4. Set the password for the job by entering a four-digit number in the password text box.

Note:

- Passwords must be four digits.
- Only numbers from 1 through 4 can be used for passwords.
- Keep passwords in a safe place. You must enter the correct password when printing a Confidential Job.

5. Click OK. The printer stores the print job in the Hard Disk Drive. To print or delete this data using the printer's control panel, see "Using the Confidential Job Menu" on page 171.

Monitoring Your Printer by using EPSON Status Monitor 3

About EPSON Status Monitor 3

The EPSON Status Monitor 3 is a utility program that monitors your printer and gives you information about its current status. For example, you can find out the amount of remaining toner or the remaining functional life of the photoconductor unit through this utility. If a print error occurs, the utility provides you with a message describing the error. The EPSON Status Monitor 3 utility is accessed from the Apple menu. See the following section for more information.

Accessing the EPSON Status Monitor 3

EPSON Status Monitor 3 monitors the printer during printing and while the EPSON Status Monitor 3 dialog box is open.

You can access the EPSON Status Monitor 3 utility by selecting the EPSON Status Monitor 3 alias from the Apple menu.

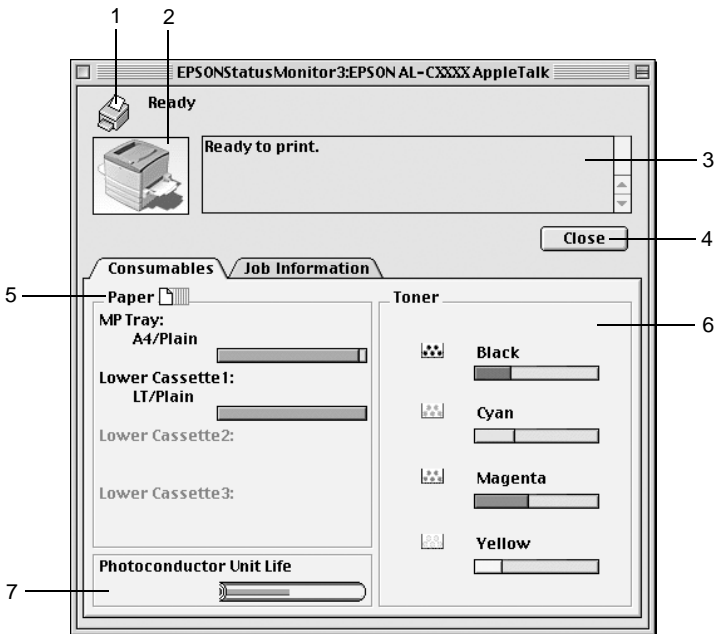
Note:

- ❑ *The appropriate printer port must already be selected in the Chooser so that necessary information can be received from the selected printer driver when the EPSON Status Monitor 3 starts. If the printer port is not correct, an error will occur.*

- ❑ *If you change the printer driver in the Chooser while the spool file is printing in the background, output to the printer may be disrupted.*
- ❑ *Printer and consumable products status information appears in the status window only if the Chooser is acquiring status normally.*

Getting printer status details

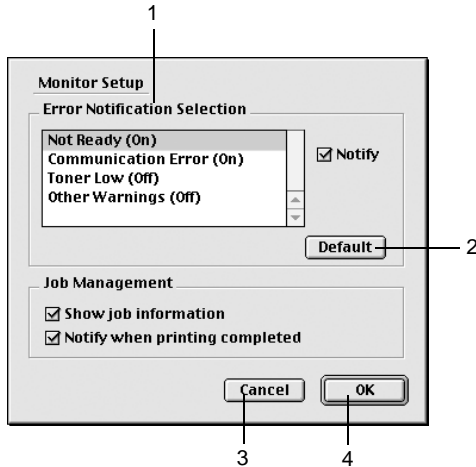
You can monitor printer status and get information on consumable products using the EPSON Status Monitor 3 dialog box.



1. Icon/Message: The icon and message shows the printer status.
2. Printer image: The image at the upper left shows the printer status graphically.
3. Text box: The text box next to the printer image displays the current status of the printer. When a problem occurs, the most probable solution is displayed.
4. Close button: Clicking this button closes the dialog box.
5. Paper: Displays the paper size, paper type, and the approximate amount of paper remaining in the paper source. Information for the optional cassettes are displayed only if this option is installed.
6. Toner: Indicates the amount of remaining toner. The toner icon flashes if toner is low.
7. Photoconductor Unit Life: Indicates the remaining functional life of the photoconductor unit.

Setting Monitoring Preferences

To make specific monitoring settings, select Monitor Setup from the File menu. The Monitor Setup dialog box appears.



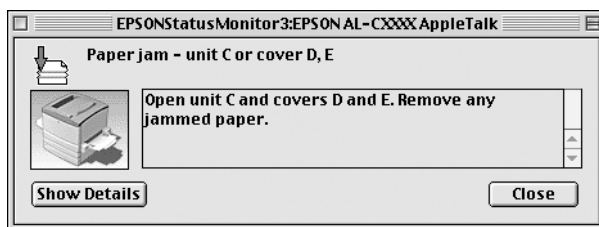
The following settings and buttons appear in the dialog box:

- | | |
|----------------------------------|---|
| 1. Error Notification Selection: | Select the types of error that you wish to be notified about. |
| 2. Default button: | Restores default settings. |
| 3. Cancel button: | Cancels any changes. |
| 4. OK button: | Saves new changes. |

Status Alert window

This window indicates what type of error has occurred and offers you a possible solution. The window closes automatically once the problem is cleared.

The Status Alert window will appear whenever an error occurs with your printer. This window will also appear according to the selected notification in the Monitoring Preferences dialog box.

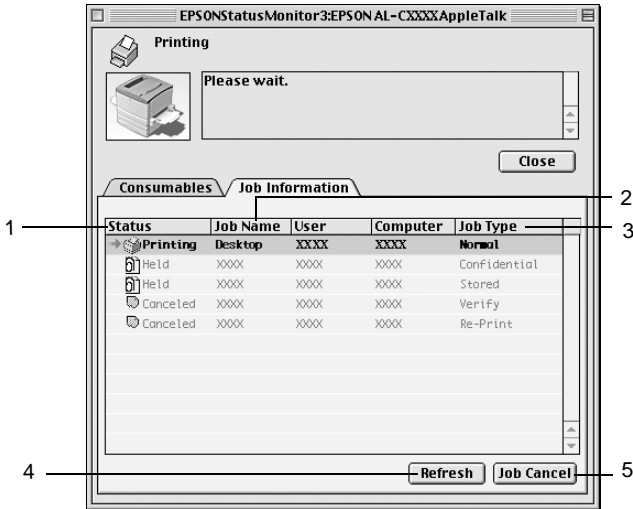


If you wish to see information about printer consumables, click Show Details. If you click this button, the Status Alert Window will not disappear even after the problem is cleared. To close the window you need to click Close.

Using the Job Management function

You can obtain information on the print jobs on the Job Information menu on the EPSON Status Monitor 3 dialog box.

To display the Job Information menu, select the Show job information check box on the Monitoring Preferences dialog box. Then click the Job Information menu on the EPSON Status Monitor 3 dialog box.



1. Status:
 - Waiting: Waiting to print.
 - Printing: Current job is being printed.
 - Completed: Indicates job has been printed.
 - Canceled: Indicates job has been canceled.
 - Held: Job is on hold.
2. Job Name: Displays the user's print job file names. Other users print jobs are displayed as -----.

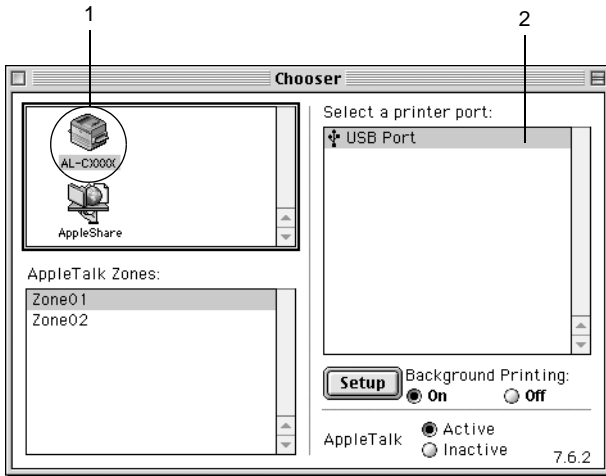
3. Job Type: Displays the job type. When the Reserve job function is used, the jobs are displayed as Stored, Verify, Re-Print, and Confidential respectively. About the Reserve Job function, see “Using the Reserve Job Function” on page 148.
4. Refresh button: Clicking this button refreshes the information on this menu.
5. Job Cancel button: Selecting a print job and clicking this button, cancels the selected print job.

Setting for the USB connection

Note:

If you are connecting the USB cable to your Macintosh through a USB hub, be sure to connect using the first hub in the chain. The USB interface may be unstable depending on the hub used. If you experience problems with this type of setup, connect the USB cable directly to your computer's USB connector.

1. Select Chooser from the Apple menu. Click the AL-C8600 icon and then click the USB port your printer is connected to.



2. Select Background Printing to turn background printing on or off.

Note:

- ❑ *Background printing must be turned on for the EPSON Status Monitor 3 to manage print jobs.*
- ❑ *When background printing is on, you can use your Macintosh while it is preparing a document for printing.*

3. Close the Chooser.


Canceling Printing

If the printouts are not what you expected and display incorrect or garbled characters or images, you may need to cancel printing. When a print job continues on the PC, follow the instruction below to cancel the printing.

- ❑ Press the Period (.) key while pressing the Command key to cancel printing. Depending on applications, the message shows the procedure to cancel printing during printing. If this appears, follow instructions in the message.
- ❑ During background printing, open EPSON Status Monitor 3 from the Application menu. Then stop printing from EPSON Status Monitor 3, or delete the file that is in standby mode.

After the last page is output, the Ready (green) light on the printer turns on.

Note:

You can also cancel the current print job that is sent from your computer, by the  Job Cancel button on the control panel. When canceling the print job, be careful not to cancel print jobs from other users' computers.

Uninstalling the Printer Software

When you wish to reinstall or upgrade the printer driver, be sure to uninstall the current printer software beforehand.

1. Quit all applications, and restart your Macintosh.
2. Insert the EPSON printer software CD-ROM in your Macintosh.

3. Double-click the Install Software folder.



4. Double-click the Installer icon.



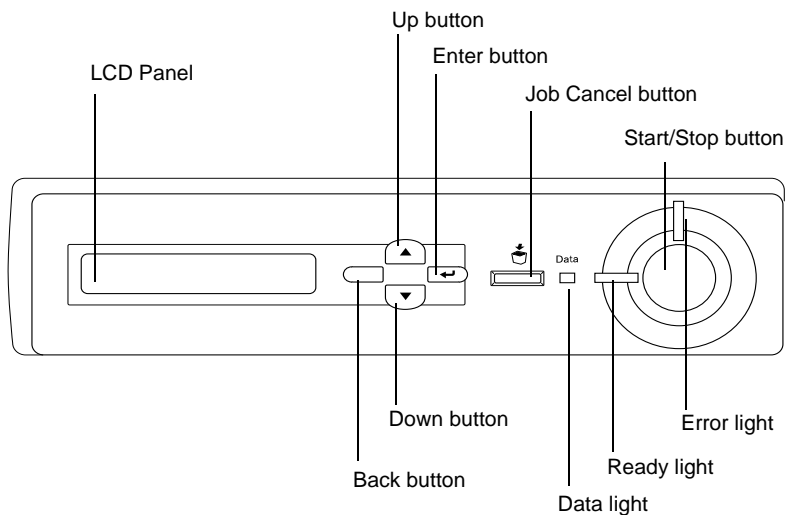
5. Click **Continue**. When the software license agreement screen appears, read the statement and then click **Accept**.
6. Select **Uninstall** from the menu at the upper left, and click **Uninstall**.

Follow the on-screen instructions.

Functions of the Control Panel

Control Panel Operation

The control panel is made up of three elements: a liquid crystal display (LCD) panel, indicator lights, and buttons. The LCD panel and indicator lights tell you the current status of the printer, and you can use the control panel buttons to make printer settings, check consumable products, and print status sheets. However, settings made in your application and in the printer driver usually override settings made at the control panel.



- | | | |
|---|-----------|---|
| 1 | LCD panel | Displays printer status messages and control panel menu settings. |
|---|-----------|---|

- | | | |
|----|------------------------|---|
| 2 | Up | Use these buttons to access the control panel menus, where you can make printer settings and check the status of consumable products. For instructions on how to use each button, see "Using the Control Panel Menus" on page 167. |
| 3 | Enter | |
| 9 | Down | |
| 10 | Back buttons | |
| 4 | Job Cancel button | Press once to cancel the current print job. Press down for more than two seconds to delete all jobs from the printer memory, including jobs the printer is currently receiving, saving to the Hard Disk Drive, or printing. |
| 5 | Start/Stop button | Switches the printer between ready and offline status.
When the error light is flashing, pressing this button clears the error and switches the printer to ready status. |
| 6 | Error light
(Red) | On or flashes when an error has occurred. |
| 7 | Ready light
(Green) | On when the printer is ready, indicating that the printer is ready to receive and print data.
When the printer is not ready, this light is off. |
| 8 | Data light
(Yellow) | On when print data is stored in the print buffer (the section of printer memory reserved for receiving data) but not yet printed.
Flashing when the printer is processing data.
Off when no data remains in the print buffer. |

Using the Control Panel Menus

You can use the printer's control panel to access a variety of menus that allow you to check the status of consumable products, print status sheets, and make printer settings. This section describes how to use the control panel menus, and when it is appropriate to make printer settings using the control panel.

When to make control panel settings

In general, printer settings can be made from the printer driver, and do not need to be made using the control panel. In fact, printer drive settings override settings made using the control panel, so use the control panel menus only to make settings you cannot make in your software or printer driver, including the following:

- Changing the emulation modes and selecting the IES (Intelligent Emulation Switching) mode
- Specifying a channel and configuring the interface
- Choosing the size of the memory buffer used to receive data

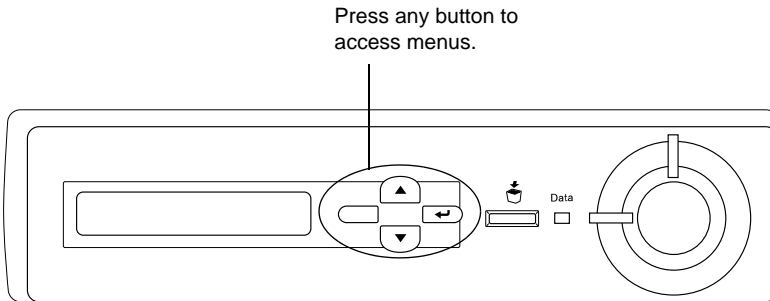
How to access the control panel menus

This section explains how to access, use, and exit the control panel menus. Refer to the illustrations below for an overview of the control panel button functions, and see the steps later in this section for detailed instructions.

For a complete description of the items and settings available in the control panel menus, see "Control Panel Menus" on page 172.

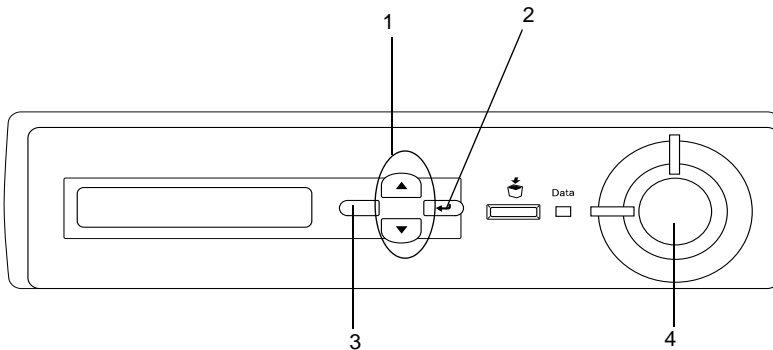
Accessing the control panel menus

When the printer's Ready light is on, pressing any of the control panel buttons shown below accesses the control panel menus.



Using the control panel buttons

Once you've accessed the menus, the control panel buttons function as shown below.

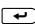




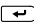
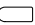
1. Up/Down buttons

Scrolls through menus, items, and settings on the current level.

- | | |
|----------------------|--|
| 2. Enter button | Advances to the next level, carry out indicated operations, and activate settings. |
| 3. Back button | Returns to the previous level. |
| 4. Start/Stop button | Exits the control panel menus from any level. |

How to use the menus

1. Make sure the Ready light is on, then press any of the buttons indicated above to access the menus.
2. Use the ▲ Up and ▼ Down buttons to scroll through the menus.
3. Press the  Enter button to view the items in a menu. Depending on the menu, the LCD panel displays an item and the current setting separated by an asterisk (YYYY*ZZZZ), or only an item (YYYY).
4. Use the ▲ Up and ▼ Down buttons to scroll through the items, or press the  Back button to return to the previous level.
5. Press the  Enter button to carry out the operation indicated by an item, such as printing a status sheet or resetting the printer, or to view the settings available for an item, such as paper sizes or emulation modes.

Use the ▲ Up and ▼ Down buttons to scroll through available settings, and press the  Enter button to select a setting and return to the previous level. Press the  Back button to return to the previous level without changing the setting.

Note:

You need to turn the printer off and then on to activate some settings. For details, see "Control Panel Menus" on page 172.

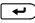

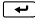


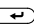


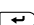
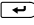
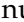
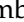
6. Press the Start/Stop button to exit the control panel menus.


Printing and Deleting Reserve Job Data

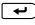
Print jobs stored on the printer's optional Hard Disk Drive using the Re-Print Job, Verify Job, and Stored Job options of the Reserve Job function can be printed and deleted using the control panel's Quick Print Job Menu. Jobs saved using the Confidential Job option can be printed from the Confidential Job Menu. Follow the instructions in this section.

Using the Quick Print Job Menu

Follow these steps to print or delete Re-Print Job, Verify Job, and Stored Job data.







1. Make sure the LCD panel displays *Ready* or *Standby*, then press the  Enter button to access the control panel menus.
2. Press the  Down button repeatedly until *Quick Print Job Menu* appears on the LCD panel, then press the  Enter button.
3. Use the  Down or  Up button to scroll to the appropriate user name, then press the  Enter button.
4. Use the  Down or  Up button to scroll to the appropriate job name, then press the  Enter button.
5. To specify the number of copies you want to print, press the  Enter button, then use the  Down and  Up buttons to select the number of copies.

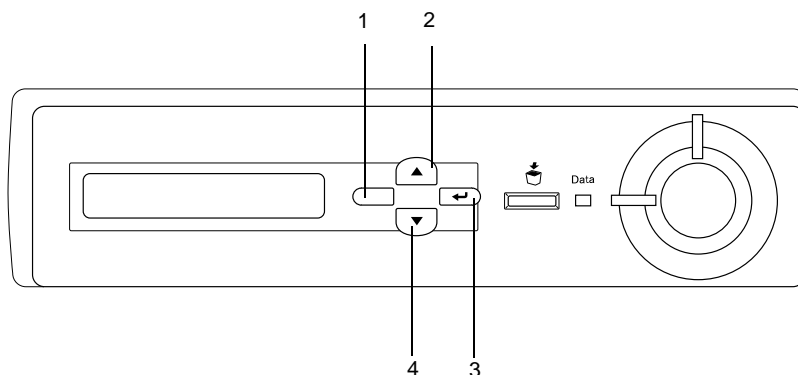
To delete the print job without printing any copies, press the  Down button to display *Delete* on the LCD panel.

6. Press the  Enter button to start printing or to delete the data.

Using the Confidential Job Menu

Follow these steps to print or delete Confidential Job data.

1. Make sure the LCD panel displays *Ready* or *Standby*, then press the  Enter button to access the control panel menus.
2. Press the  Down button repeatedly until *ConfidentialJobMenu* appears on the LCD panel, then press the  Enter button.
3. Use the  Down or  Up button to scroll to the appropriate user name, then press the  Enter button.
4. Enter your four-digit password by using the corresponding buttons, as shown below.



Note:

- Passwords are always four digits.
- Passwords consist of numbers from 1 through 4.

- ❑ *If no print jobs have been saved with the password you entered, Password Error appears briefly on the LCD panel then the printer exits the control panel menus. Confirm the password and try again.*
5. Use the ▼ Down or ▲ Up button to scroll to the appropriate job name, then press the ↵ Enter button.
 6. To specify the number of copies you want to print, press the ↵ Enter button, then use the ▼ Down and ▲ Up buttons to select the number of copies.

To delete the print job, press the ▼ Down button to display Delete on the LCD panel.
 7. Press the ↵ Enter button to start printing or to delete the data.

Control Panel Menus

For a summary of the control panel menus, see the table below. For details on the items and settings on the menus, see the descriptions for each menu later in this section.

Control panel menu summary

The following table shows the order in which control panel menus and menu items appear on the LCD panel.

Press the ▲ Up and ▼ Down buttons to scroll through the menus. The menus and menu items appear in the order shown below.

Note:

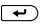
Some menus and items in the following table appear only when a corresponding optional device is installed or an appropriate setting has been done.

Menu	Items
Information Menu	Status Sheet, Reserve Job List, Form Overlay List, NetworkStatus Sheet, AUX Status Sheet, PS3 Status Sheet, PS3 Font Sample, LJ4 Font Sample, ESCP2 Font Sample, FX Font Sample, I239X Font Sample, C Toner, M Toner, Y Toner, K Toner, Photocondctr, Total Pages, Color Pages, B/W Pages
Tray Menu	MP Tray Size, LC1 Size, LC2 Size, LC3 Size, MP Type, LC1 Type, LC2 Type, LC3 Type
Emulation Menu	Parallel, USB
Printing Menu	Page Size, Wide A4, Orientation, Resolution, RITech, Toner Save, Image Optimum, Top Offset, LeftOffset, T Offset B, L Offset B
Setup Menu	Lang, Time Out, Paper Source, Out Bin, MP Mode, Manual Feed, Copies, Duplex, Binding, Start Page, Paper Type, Page Side, Skip Blank Page, Auto Eject Page, Size Ignore, Auto Cont, Page Protect, LCD Contrast
Quick Print Job Menu	User, Job, Copies, Delete
ConfidentialJobMenu	User, Enter Password, Job, Copies, Delete
Reset Menu	Clear Warning, Reset, Reset All, Selectype Init
Parallel Menu	Parallel I/F, Speed, Bi-D, Buffer Size
USB Menu	USB I/F, Buffer Size
LJ4 Menu	FontSource, Font Number, Pitch, Height, Symset, Form, Source SymSet, Dest Symset, CR Function, LF Function, Tray Assign
GL2 Menu	GL Mode, Scale, Origin, Pen, End, Join, Pen0, Pen1, Pen2, Pen3, Pen4, Pen5, Pen6
PS3 Menu	Error Sheet, Coloration, Image Protect

Menu	Items
ESCP2 Menu	Font, Pitch, Condensed, T.Margin, Text, CG Table, Country, Auto CR, Auto LF, Bit Image, ZeroChar
FX Menu	Font, Pitch, Condensed, T.Margin, Text, CG Table, Country, Auto CR, Auto LF, Bit Image, ZeroChar
I239X Menu	Font, Pitch, Code Page, T.Margin, Text, Auto CR, Auto LF, Alt. Graphics, Bit Image, ZeroChar, CharacterSet

Information Menu

From this menu you can check the toner level and the remaining service life of consumable products. You can also print status and sample sheets showing the printer's current settings, available fonts, and a brief summary of available features.

Press the ▼ Down or ▲ Up button to select an item. Press the  Enter button to print a sheet or font sample.

Item	Settings
Status Sheet	-
Reserve Job List	(Displayed when Reserve Job List is registered.)
Form Overlay List	(Displayed when Form Overlay List is registered.)
Network Status Sheet	-
AUX Status Sheet*	-
PS3 Status Sheet**	-
PS3 Font Sample**	-
LJ4 font Sample	-
ESCP2 Font Sample	-
FX Font Sample	-
I239X Font Sample	-
C Toner	E****F, E*** F, E** F, E* F, E F
M Toner	E****F, E*** F, E** F, E* F, E F
Y Toner	E****F, E*** F, E** F, E* F, E F
K Toner	E****F, E*** F, E** F, E* F, E F
Photoconductr	E****F, E*** F, E** F, E* F, E F
Total Pages	0 to 99999999
Color Pages	0 to 99999999
B/W Pages	0 to 99999999

* Available only when an optional interface card is installed.

** Available only when the optional Adobe PostScript 3 ROM module is installed.

Status Sheet, Network Status Sheet, AUX Status Sheet, PS3 Status Sheet

Prints a sheet according to the current printer settings and installed options. These sheets can be useful to confirm whether options have been installed correctly.

Reserve Job List

Prints a list of reserved print jobs stored in the optional Hard Disk Drive.

Form Overlay List

Prints a list of the form overlays stored in the optional Hard Disk Drive.

PS3 Font Sample, LJ4 Font Sample, ESCP2 Font Sample, FX Font Sample, I239X Font Sample

Prints a sample of the fonts available for your selected printer emulation.

C Toner/M Toner/Y Toner/K Toner/Photoconductr

Displays the amount of toner left in the toner cartridges, and the remaining service life of the photoconductor unit, as shown below:

E****F	(100 to 76%)
E*** F	(75 to 51%)
E** F	(50 to 26%)
E* F	(25 to 1%)
E F	(0%)

Total Pages

Displays the total number of pages printed by the printer.

Color Pages

Displays the total number of pages printed in color by the printer.

B/W Pages

Displays the total number of pages printed in black-white by the printer.

Tray Menu

This menu allows you to specify the size and type of paper loaded in the MP tray. Accessing this menu also lets you check the size of the paper currently loaded in the lower cassettes.

The paper type settings in this menu can also be made from your printer driver. Settings you make in your printer driver override these settings, so use your printer driver whenever you can.

Item	Settings (default in bold)
MP Tray Size	A4 , A3, A5, B4, B5, LT, HLT, LGL, GLT, GLG, B, EXE, F4, MON, C10, DL, C6, C5, IB5, A3W
LC1 Size	A4, A3, B4, LT, LGL, B, EXE, A3W
LC2 Size*	A4, A3, B4, LT, LGL, B, EXE
LC3 Size*	A4, A3, B4, LT, LGL, B, EXE
MP Type	Plain , Letterhead, Recycled, Color, Trnsprncy, Labels
LC1 Type	Plain , Letterhead, Recycled, Color
LC2 Type*	Plain , Letterhead, Recycled, Color
LC3 Type*	Plain , Letterhead, Recycled, Color

* Displayed only when the optional Large Capacity Paper Unit is installed.

MP Tray Size

Select your paper size from this menu.

LC1 Size, LC2 Size, LC3 Size

Displays the paper size loaded in the standard or optional lower cassettes. You cannot change the paper size from this menu.

MP Type

Lets you set the paper type loaded in the MP tray.

LC1 Type, LC2 Type, LC3 Type

Lets you select the paper type loaded in the standard or optional lower cassettes.

Emulation Menu

Use this menu to select the printer emulation mode. You can specify different emulations for each interface; in other words, for each computer you connect the printer to. Since each emulation mode has its own specific options, make settings in the LJ4, ESCP2, FX, GL2, or I239X menu, as necessary. The settings you can choose from are the same for every interface.

Item	Settings (default in bold)
Parallel	Auto , LJ4, ESCP2, FX, I239X, PS3*, GL2
USB	Auto , LJ4, ESCP2, FX, I239X, PS3*, GL2

* Available only when the optional Adobe PostScript 3 ROM module is installed.

Printing Menu

This menu allows you to make standard print settings, such as Page Size and Orientation, when printing from an application or operating system that does not support your printer driver. Be sure to use the printer driver to make these settings whenever you can, since settings made on your computer always override these settings.

Item	Settings (default in bold)
Page Size	A4 , A3, A5, B4, B5, LT, HLT, LGL, GLT, GLG, B, EXE, F4, MON, C10, DL, C6, C5, IB5, CTM, A3W
Wide A4	Off , On
Orientation	Port , Land
Resolution	600 , 300
RITech	On , Off

Toner Save	Off , On
Image Optimum	Auto , Off, On
Top Offset	-150.0 to 0.0 to 150.0 mm in 0.5 increments
Left Offset	-150.0 to 0.0 to 150.0 mm in 0.5 increments
T Offset B	-150.0 to 0.0 to 150.0 mm in 0.5 increments
L Offset B	-150.0 to 0.0 to 150.0 mm in 0.5 increments

Page Size

Specifies the paper size.

Wide A4

Selecting **On** increases the left and right margins from 3.4 mm to 4 mm.

Orientation

Specifies whether the page is printed in portrait or landscape orientation.

Resolution

Specifies the printing resolution.

RITech

Turning RITech on produces smoother and crisper lines, text, and graphics.

Toner Save

When this setting is selected, the printer saves toner by substituting a gray shade for the black inside of characters. The characters are outlined in full black on the right and lower edges.

Image Optimum

When this mode is on, the quality of graphics is reduced. It reduces the amount of graphics data when the data reaches the memory limit, allowing complex documents to be printed.

Top Offset

Makes fine adjustments to the vertical printing position of the page.



Caution:

Make sure that the printed image does not extend beyond the edge of the paper. Otherwise, you may damage the printer.

Left Offset

Makes fine adjustments to the horizontal printing position of the page. This is useful for fine adjustments when using the manual feed mode.



Caution:

Make sure that the printed image does not extend beyond the edge of the paper. Otherwise, you may damage the printer.

T Offset B

Adjusts the vertical printing position on the back of the paper when printing on both sides. Use this if the printout on the back is not where you expected.

L Offset B

Adjusts the horizontal printing position on the back of the paper when printing on both sides. Use this if the printout on the back is not where you expected.

Setup Menu

This menu allows you to make various basic configuration settings related to paper sources, feeding modes, and error handling. You can also use this menu to select the LCD panel display language, and to adjust the registration position of each color.

Item	Settings (default in bold)
Lang	English , Français, Deutsch, ITALIANO, ESPAÑOL, SVENSKA, Dansk, Nederl., SUOMI, Português
Time Out	0, 5 to 60 to 300 in increments of 1
Paper Source	Auto , MP, LC1, LC2*, LC3*
Out Bln	Face-down , Face-up
MP Mode	Normal , Last
Manual Feed	Off , On
Copies	1 to 999
Duplex*	Off , On
Binding*	Long Edge , Short Edge
Start Page*	Front , Back
Paper Type	Normal , Thick, ExtraThk, Trnspnc, Coated
Page Side	Front , Back
Skip Blank Page**	Off , On
Auto Eject Page	Off , On
Size Ignore	Off , On
Auto Cont	Off , On
Page Protect	Auto , On
LCD Contrast	0 to 9 to 15

* Available only when the corresponding option is installed.

** Available only when in PCL5e, ESC/Page, ESC/P2, or I239X mode.

Lang

Specifies the language displayed on the LCD panel and that printed on the status sheet.

Time Out

Specifies the length of the time the printer waits when it is ready to print and no new data is received. When this time is up, the printer searches for new print data from other interfaces.

Paper Source

Specifies whether paper feeds into the printer from the MP tray, the standard lower cassette, or from the optional paper cassette unit, when `Normal` is selected as the Paper Type setting.

If you select `Auto`, paper feeds from the paper source containing paper that matches your Paper Size setting.

If an envelope size (`IB5`, `C10`, `C6`, `DL`, `MON`, `C5`) is selected as the Page Size setting, paper always feeds from the MP tray. If you select `Thick`, `ExtraThk`, `Transprnc`, or `Coated` as the Paper Type setting, paper always feeds from the MP tray.

Out Bin

Selects Face-down or Face-up for the output tray.

MP Mode

This setting determines whether the MP tray has the highest or lowest priority when `Auto` is selected as the Paper Source setting in the printer driver. When `Normal` is selected as the MP Mode, the MP tray has the highest priority as the paper source. If you select `Last`, the MP tray has the lowest priority.

Manual Feed

Allows you to select the manual feed mode for all the paper sources. For details on the manual feed mode, see “Manually loading paper” on page 31.

Copies

Designates the number of copies to be printed, from 1 through 999.

Duplex

Turns duplex printing on or off.

Binding

Specifies the binding direction of the printout.

Start Page

Specifies whether printing starts from the front or back of the page.

Paper Type

Specifies the type of paper to be used for printing. The printer adjusts the printing speed according to this setting. The printing speed is reduced when *Thick*, *ExtraThk*, *Transprnc*, or *Coated* is selected.

Page Side

Select *Front* when printing on the front of thick paper (*Thick*), extra-thick paper (*ExtraThk*), or envelopes.

Select *Back* when printing on the back of thick paper (*Thick*), extra-thick paper (*ExtraThk*), or envelopes.

Skip Blank Page

Enables you to skip blank pages when printing. This setting is available when you print in the PCL5e, ESC/Page, ESCP2, FX, or I239X mode.

Auto Eject Page

Specifies whether or not to eject paper when the limit specified in the Time Out setting is reached. The default is *Off*, which means paper is not ejected when the time-out limit is reached.

Size Ignore

If you want to ignore a paper size error, select *On*. When you turn this item on, the printer keeps printing even if the image size exceeds the printable area for the specified paper size. This may cause smudges because of the toner that is not transferred onto the paper properly. When this item is turned off, the printer stops printing if a paper size error occurs.

Auto Cont

When you turn this setting on, the printer automatically continues printing after a certain period of time when one of the following errors occurs: Paper Set, Print Overrun, or Mem Overflow. When this option is off, you must press the Start/Stop button to resume printing.

Page Protect

Allocates additional printer memory for printing data, as opposed to receiving it. You may need to turn this setting on if you are printing a very complex page. If a *Print Overrun* error message appears on the LCD panel during printing, turn this setting on and reprint your data. This reduces the amount of memory reserved for receiving data so your computer may take longer to send the print job, but it will allow you to print complex jobs. Page Protect usually works best when *Auto* is selected. You will need to increase your printer's memory if memory errors continue to occur.

Note:

Changing the Page Protect setting reconfigures the printer's memory, which causes any downloaded fonts to be deleted.

LCD Contrast

Adjusts the contrast of the LCD panel. Use the ▲ Up and ▼ Down buttons to set the contrast between 0 (lowest contrast) and 15 (highest contrast.)

Quick Print Job Menu

This menu allows you to print or delete print jobs that were stored in the printer’s optional Hard Disk Drive using the Quick Print Job feature (Re-Print Job, Verify Job, Stored Job) of the printer driver’s Reserve Job function. This Menu is displayed when the function is used. For instructions on using this menu, see “Using the Quick Print Job Menu” on page 170.

Item	Settings (default in bold)
User	xxxxxxxxxxxxxx
Job	xxxxxxxxxxxxxx
Copies	1 to 999
Delete	-

Confidential Job Menu

This menu allows you to print or delete print jobs stored in the printer’s optional Hard Disk Drive using the Confidential Job feature of the printer driver’s Reserve Job function. You need to enter the correct password to access this data. This Menu is displayed when the function is used. For instructions on using this menu, see “Using the Confidential Job Menu” on page 171.

Item	Settings (default in bold)
User	xxxxxxxxxxxxxx
Enter Password	XXXX

Job	xxxxxxxxxxxxxx
Copies	1 to 999
Delete	-

Reset Menu

This menu allows you to cancel printing and reset the printer settings.

Item	Settings (default in bold)
Clear Warning	-
Reset	-
Reset All	-
SelecType Init	-

Clear Warning

Clears warning messages that appear on the LCD panel.

Reset

Stops printing and clears the current job received from the active interface. You may want to reset the printer when there is a problem with the print job itself and the printer cannot print successfully.

Reset All

Stops printing, clears the printer memory, and restores the printer settings to their default values. The print jobs received from all interfaces are erased.

Note:

Performing Reset All clears print jobs received from all interfaces. Be careful not to interrupt someone else's job.

SelectType Init

Restores the control panel menu settings to their default values. Total Pages, Color Pages, B/W Pages, Toner Counter for each color toner cartridge, and Parallel Menu settings will not be reset.

Parallel Menu

These settings control communication between the printer and the computer when using the parallel interface.

Item	Settings (default in bold)
Parallel I/F	On , Off
Speed	Fast , Normal
Bi-D	Nibble, ECP , Off
Buffer Size	Normal , Maximum, Minimum

Parallel I/F

Allows you to activate or deactivate the parallel interface.

Speed

Specifies the pulse width of the ACKNLG signal when receiving data in the Compatibility mode or Nibble mode. When **Fast** is selected, the pulse width is about 1 μ s. When **Normal** is selected, the pulse width is about 10 μ s.

Bi-D

Allows you to specify the bidirectional communication mode. When you select **Off**, bidirectional communication is disabled.

Buffer Size

Determines the amount of memory to be used for receiving data and printing data. If **Maximum** is selected, more memory is allocated for receiving data. If **Minimum** is selected, more memory is allocated for printing data.

Note:

- ❑ *To activate Buffer Size settings, you must turn off the printer for more than five seconds then turn it back on. Or, you can perform a Reset All operation, as explained in “Reset Menu” on page 188.*
- ❑ *Resetting the printer erases all print jobs. Make sure the Ready light is not flashing when you reset the printer.*

USB Menu

These settings control communication between the printer and the computer when using the USB interface.

Item	Settings (default in bold)
USB I/F	On , Off
Buffer Size	Normal , Maximum, Minimum

USB I/F

Allows you to activate or deactivate the USB interface.

Buffer Size

Determines the amount of memory to be used for receiving data and printing data. If **Maximum** is selected, more memory is allocated for receiving data. If set to **Minimum** is selected, more memory is allocated for printing data.

Note:

- ❑ *To activate Buffer Size settings, you must turn off the printer for more than five seconds then turn it back on. Or, you can perform a Reset All operation, as explained in “Reset Menu” on page 188.*
- ❑ *Resetting the printer erases all print jobs. Make sure the Ready light is not flashing when you reset the printer.*

LJ4 Menu

These settings control the fonts and symbol sets when in LJ4 mode.

Item	Settings (default in bold)
FontSource	Resident , Download, ROM A*, ROM B*
Font Number	0 to available (Max 65535)
Pitch**	0.44 to 10.00 to 99.99 cpi in 0.01 cpi increments
Height**	4.00 to 12.00 to 999.75 pt in 0.25 pt increments
SymSet	IBM-US , Roman-8, Roman-9, ECM94-1, 8859-2 ISO, 8859-9 ISO, 8859-10ISO, 8859-15ISO, PcBit775, IBM-DN, PcMultiling, PcE.Europe, PcTk437, PcEur858, Pc1004, WiAnsi, WiE.Europe, WiTurkish, WiBALT, DeskTop, PsText, VeInternati, VeUS, MsPublishin, Math-8, PsMath, VeMath, PiFont, Legal, UK, ANSI ASCII, Swedis2, Italian, Spanish, German, Norweg1, French2, Windows, McText, Pclcelandic, Pclt774, PcTurk1, PcPortugues, PcEt850, PcTurk2, PcCanFrench, PcSI437, PcNordic, 8859-3 ISO, 8859-4 ISO, WiBaltic, WiEstonian, WiLatvian, Mazowia, CodeMJK, BpBRASCI, BpAbicomp, PcGk437, PcGk851, PcGk869, 8859-7 ISO, WiGreek, Europe3, PcCy855, PcCy866, Pclt866, PcUkr866, Pclit771, 8859-5 ISO, WiCyrillic, Bulgarian, Hebrew7, 8859-8 ISO, Hebrew8, PcHe862, Arabic8, PcAr864, 8859-6 ISO, OCR A, OCR B
Form	5 to 64 to 128 lines
Source SymSet	0 to 277 to 3199
Dest SymSet	0 to 277 to 3199
CR Function	CR , CR + LF
LF Function	LF , CR + LF
Tray Assign	4, 4K , 5S

* Available only when the optional font ROM module is installed.

Note:

If you normally use the HP LaserJet 4 printer driver when printing, you should change settings using this driver whenever you can. Printer driver settings always override the LJ4 Menu options.

Font Source

Sets the default font source.

Font Number

Sets the default font number for the default font source. The available number depends on the settings you made.

Pitch

Specifies the default font pitch if the font is scalable and of fixed-pitch. You can select from 0.44 to 99.99 cpi (characters per inch), in 0.01-cpi increments. This item may not appear depending on the Font Source or Font Number settings.

Height

Specifies the default font height if the font is scalable and proportional. You can select from 4.00 to 999.75 points, in 0.25-point increments. This item may not appear depending on the Font Source or Font Number settings.

SymSet

Selects the default symbol set. If the font you selected in Font Source and Font Number is not available in the new SymSet setting, the Font Source and the Font Number settings are automatically replaced with the default value, IBM-US.

Form

Selects the number of lines for the selected paper size and orientation. This also causes a line spacing (VMI) change, and the new VMI value is stored in the printer. This means that later changes in Page Size or Orientation settings cause changes in the Form value, based on the stored VMI.

Source SymSet, Dest SymSet

Available only in certain locations where printers are sold with a special ROM module installed to handle specific languages.

CR Function, LF Function

These functions are included for users of particular operating systems, such as UNIX.

Tray Assign

Changes the assignment for the paper source select command. When 4 is selected, the commands are set as compatible with the HP LaserJet 4. When 4K is selected, the commands are set as compatible with the HP LaserJet 4000, 5000, and 8000. When 5S is selected, the commands are set as compatible with the HP LaserJet 5Si.

GL2 Menu

This menu lets you set the printer to emulate a plotter, allowing you to use software that requires a plotter for output. LJ4GL2 mode is similar to GL/2 mode supported in the HP LaserJet 4 mode. The GLlike mode emulates some of the HP-GL plotter commands and includes all the commands found in HP's GL/2 mode, as well as two additional commands.

Item	Settings (default in bold)
GL Mode	LJ4GL2 , GLlike
Scale	Off , A0, A1, A2, A3
Origin	Corner , Center
Pen	Pen0 , Pen1, Pen2*, Pen3*, Pen4*, Pen5*, Pen6*
End	Butt , Square, Triangular, Round
Join	Mitered , Miteredbeveled, Triangular, Round, Beveled, None
Pen 0	0.05 to 0.35 to 5.00 mm in 0.05 increments
Pen1	0.05 to 0.35 to 5.00 mm in 0.05 increments
Pen2*	0.05 to 0.35 to 5.00 mm in 0.05 increments
Pen3*	0.05 to 0.35 to 5.00 mm in 0.05 increments
Pen4*	0.05 to 0.35 to 5.00 mm in 0.05 increments
Pen5*	0.05 to 0.35 to 5.00 mm in 0.05 increments
Pen6*	0.05 to 0.35 to 5.00 mm in 0.05 increments

* Available only when **GLlike** is selected as the GL Mode.

Before you start printing in the GL/2 mode

You may need to change the following print options in your application, depending on your output needs. Check these settings to make sure they match the data you are trying to print.

Print Options	Settings
Paper size	Printer's paper size setting
Driver (plotter selection)	HP-GL/2 or HP-GL
Pen configuration	Pen thickness
Plot origin	Center or Corner
Orientation	GLlike offers landscape only LJ4GL2 offers landscape and portrait

If you need to configure the printer settings, first switch to the GL/2 emulation mode, then change the settings using the printer driver, or the control panel menus.

Note:

Settings or data saved in the printer's RAM (such as downloaded fonts) may be erased when you change the emulation mode.

GL Mode

Specifies whether the printer uses a direct emulation of the GL/2 plotter language, or the HP LaserJet 4 emulation of GL/2.

Scale

Specifies whether the output from the software is scaled. The scale factor is based on the output paper size of the application.

Origin

Specifies whether the logical origin of the "plotter" is the corner or the center of the paper.

Pen

Allows you to choose a pen that you can then set the thickness for in the Pen 0 through 6 item. The LJ4GL2 mode supports two pens (0 and 1), while the GLlike mode supports seven pens (0 through 6).

End

Specifies the way in which lines end.

Join

Specifies the way in which lines are joined.

Pens 0 through 6

Allows you to set the thickness of the pens used to make the printout. Pen 0 and Pen 1 are available in LJ4GL2 mode, and Pen 0 through Pen 6 are available in GLlike mode.

PS3 Menu

These settings are available only when the optional Adobe PostScript 3 ROM module is installed. For installation instructions, see “Adobe PostScript 3 ROM Module” on page 243. See also your Adobe PostScript 3 Kit documentation.

Item	Settings (default in bold)
Error Sheet	Off , On
Coloration	Color , Mono, TrueCol.
Image Protect	Off , On

Error Sheet

When you select **On**, the printer prints out an error sheet.

Coloration

Allows you to specify the method of color printing. **Color** refers to color printing at 1 bit/pixel, **Mono** refers to monochrome printing, while **TrueCol .** refers to color printing at 8 bit/pixel.

Image Protect

Allows you to specify whether to employ lossy compression. Lossy compression refers to a data compression technique in which some amount of data is lost.

ESCP2 Menu

This menu allows you to make settings that affect the printer when it is in ESCP2 emulation mode.

Item	Settings (default in bold)
Font	Courier , Prestige, Roman, Sans serif, Roman T, Orator S, Sans H, Script, OCR A, OCR B
Pitch	10cpi , 12cpi, 15cpi, Prop.
Condensed	Off , On
T. Margin	0.40 to 0.50 to 1.50 inch in 0.05 inch increments
Text	1 to 66 to 104 lines
CGTable	PcUSA , Italic, PcMultilin, PcPortugue, PcCanFrenc, PcNordic, PcTurkish2, Pclcelandic, PcE.Europe, BpBRASCII, BpAbicomp, Roman-8, PcEur858, ISO Latin1, 8859-15ISO, PcSI437, PcTurkish1, 8859-9ISO, Mazowia, CodeMJK, PcGk437, PcGk851, PcGk869, 8859-7 ISO, PcCy855, PcCy866, PcUkr866, Pclit771, Bulgarian, Hebrew7, Hebrew8, PcHe862, PcAr864
Country	USA , France, Germany, UK, Denmark, Sweden, Italy, Spain1, Japan, Norway, Denmark2, Spain2, LatinAmeric, Korea, Legal
Auto CR	On , Off

Auto LF	Off , On
Bit Image	Dark , Light, BarCode
ZeroChar	0 , (or the zero character with a slash)

Font

Selects the font.

Pitch

Selects the pitch (the horizontal spacing) of the font in fixed pitch, measured in cpi (characters per inch). You can also choose proportional spacing.

Condensed

Turns condensed printing on or off.

T. Margin

Sets the distance from the top of the page to the baseline of the first printable line. The distance is measured in inches. The smaller the value, the closer the printable line is to the top.

Text

Sets the page length in lines. For this option, a line is assumed to be 1 pica (1/6 inch). If you change the Orientation, Page Size, or T. Margin settings, the page length setting automatically returns to the default for each paper size.

CG Table

Use the character generator (CG) table option to select the graphics character table or the italics table. The graphics table contains graphic characters for printing lines, corners, shaded areas, international characters, Greek characters, and mathematical symbols. If you select *Italic*, the upper half of the character table is defined as italic characters.

Country

Use this option to select one of the fifteen international symbol sets. See “International character sets” on page 360 for samples of the characters in each country’s symbol set.

Auto CR

Specifies whether the printer performs a carriage-return/line-feed (CR-LF) operation whenever the printing position goes beyond the right margin. If this setting is off, the printer does not print any characters beyond the right margin and does not perform any line wrapping until it receives a carriage-return character. This function is handled automatically by most applications.

Auto LF

If you select *Off*, the printer does not send an automatic line-feed (LF) command with each carriage-return (CR). If *On* is selected, a line-feed command is sent with each carriage-return. Select *On* if your text lines overlap.

Bit Image

The printer is able to emulate the graphics densities set with the printer commands. If you select *Dark*, the bit image density is high, and if you select *Light*, the bit image density is low.

If you select *BarCode*, the printer converts bit images to bar codes by automatically filling in any vertical gaps between dots. This produces unbroken vertical lines that can be read by a bar code reader. This mode will reduce the size of the image being printed, and may also cause some distortion when printing bit image graphics.

ZeroChar

Specifies whether the printer prints a slashed or unslashed zero.

FX Menu

This menu allows you to make settings that affect the printer when it is in the FX emulation mode.

Item	Settings (default in bold)
Font	Courier , Prestige, Roman, Sans serif, Script, Orator S, OCR A, OCR B
Pitch	10cpi , 12cpi, 15cpi, Prop.
Condensed	Off , On
T. Margin	0.40 to 0.50 to 1.50 inch in 0.05 increments
Text	1 to 66 to 104 lines
CGTable	PcUSA , Italic, PcMultilin, PcPortugue, PcCanFrenc, PcNordic, PcTurkish2, Pclcelandic, PcE.Europe, BpBRASCII, BpAbicomp, Roman-8, PcEur858, ISO Latin1, 8859-15ISO
Country	USA , France, Germany, UK, Denmark, Sweden, Italy, Spain1, Japan, Norway, Denmark2, Spain2, LatinAmeric
Auto CR	On , Off
Auto LF	Off , On
Bit Image	Dark , Light, BarCode
ZeroChar	0 , (or the zero character with a slash)

Font

Selects the font.

Pitch

Selects the pitch (the horizontal spacing) of the font in fixed pitch, measured in cpi (characters per inch). You can also choose proportional spacing.

Condensed

Turns condensed printing on or off.

T. Margin

Sets the distance from the top of the page to the baseline of the first printable line. The distance is measured in inches. The smaller the value, the closer the printable line is to the top.

Text

Sets the page length in lines. For this option, a line is assumed to be 1 pica (1/6 inch). If you change the *Orientation*, *Page Size*, or *T. Margin* settings, the page length setting automatically returns to the default for each paper size.

CG Table

Use the character generator (CG) table option to select the graphics character table or the italics table. The graphics table contains graphic characters for printing lines, corners, shaded areas, international characters, Greek characters, and mathematical symbols. If you select *Italic*, the upper half of the character table is defined as italic characters.

Country

Use this option to select one of the fifteen international symbol sets. See "International character sets" on page 360 for samples of the characters in each country's symbol set.

Auto CR

Specifies whether the printer performs a carriage-return/line-feed (CR-LF) operation whenever the printing position goes beyond the right margin. If this setting is off, the printer does not print any characters beyond the right margin and does not perform any line wrapping until it receives a carriage-return character. This function is handled automatically by most applications.

Auto LF

If you select *Off*, the printer does not send an automatic line-feed (LF) command with each carriage-return (CR). If *On* is selected, a line-feed command is sent with each carriage-return. Select *On* if your text lines overlap.

Bit Image

The printer is able to emulate the graphics densities set with the printer commands. If you select *Dark*, the bit image density is high, and if you select *Light*, the bit image density is low.

If you select *BarCode*, the printer converts bit images to bar codes by automatically filling in any vertical gaps between dots. This produces unbroken vertical lines that can be read by a bar code reader. This mode will reduce the size of the image being printed, and may also cause some distortion when printing bit image graphics.

ZeroChar

Selects whether the printer prints a slashed or unslashed zero.

I239X Menu

The I239X mode emulates IBM[®] 2390/2391 Plus commands.

These settings are available only when the printer is in I239X mode.

Item	Settings (default in bold)
Font	Courier , Prestige, Gothic, Orator, Script, Presentor, Sans serif
Pitch	10cpi , 12cpi, 15cpi, 17cpi, 20cpi, 24 cpi, Prop.
Code Page	437 , 850, 858, 860, 863, 865
T. Margin	0.30 to 0.40 to 1.50 inch in 0.05 inch increments
Text	1 to 67 to 104 lines
Auto CR	Off , On
Auto LF	Off , On
Alt. Graphics	Off , On
Bit Image	Dark , Light
ZeroChar	0 , (or the zero character with a slash)
CharacterSet	1, 2

Font

Selects the font.

Pitch

Selects the pitch (the horizontal spacing) of the font in fixed pitch, measured in cpi (characters per inch). You can also choose proportional spacing.

Code Page

Selects the character tables. Character tables contain the characters and symbols used by different languages. The printer prints text based on the selected character table.

T. Margin

Sets the distance from the top of the page to the baseline of the first printable line. The distance is measured in inches. The smaller the value, the closer the printable line is to the top.

Text

Sets the page length in lines. For this option, a line is assumed to be 1 pica (1/6 inch). If you change the *Orientation*, *Page Size*, or *T. Margin* settings, the page length setting automatically returns to the default for each paper size.

Auto CR

Specifies whether the printer performs a carriage-return/line-feed (CR-LF) operation whenever the printing position goes beyond the right margin. If this setting is off, the printer does not print any characters beyond the right margin and does not perform any line wrapping until it receives a carriage-return character. This function is handled automatically by most applications.

Auto LF

If you select *Off*, the printer does not send an automatic line-feed (LF) command with each carriage-return (CR). If *On* is selected, a line-feed command is sent with each carriage-return. Select *On* if your text lines overlap.

Alt. Graphics

Turns the Alternate Graphics option on or off.

Bit Image

The printer is able to emulate the graphics densities set with the printer commands. If you select *Dark*, the bit image density is high, and if you select *Light*, the bit image density is low.

If you select `BarCode`, the printer converts bit images to bar codes by automatically filling in any vertical gaps between dots. This produces unbroken vertical lines that can be read by a bar code reader. This mode will reduce the size of the image being printed, and may also cause some distortion when printing bit image graphics.

ZeroChar

Selects whether the printer prints a slashed or unslashed zero.

Character Set

Selects character table 1 or 2.

250-Sheet Paper Cassette A3W

The optional 250-Sheet Paper Cassette A3W (C813521) is designed for A3W-size paper only and accommodates 250 sheets of plain paper or EPSON Color Laser Paper. To use this cassette, you have to remove the standard lower cassette.

To install this option, see the following section. To load paper into the lower cassette, see “Standard and Optional Lower Cassettes” on page 38.



Caution:

This lower cassette cannot be installed into the optional Large Capacity Paper Unit or the optional 500-Sheet Paper Cassette Unit. Attempting to force it into these units will damage the paper cassette and the units.

Note:

- You cannot use paper other than A3W-size paper in this lower cassette.*
- Load the short edge first with the printable surface facing down.*

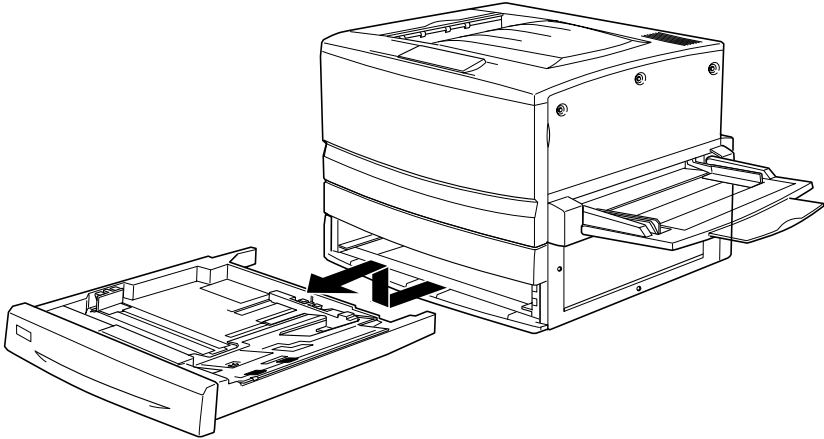
Installing the 250-Sheet Paper Cassette A3W

Follow these steps to install the 250-Sheet Paper Cassette A3W:

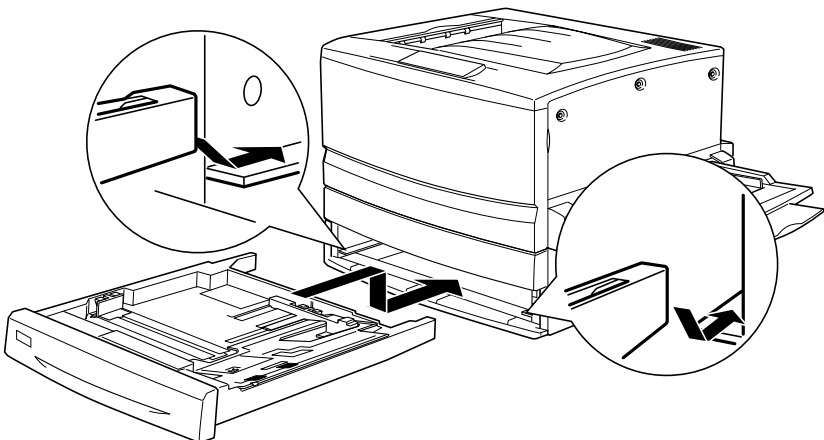
Note:

The 250-Sheet Paper Cassette A3W cannot be used together with the standard lower cassette.

1. Pull out the standard lower cassette and remove it by lifting it up.



2. Put both legs of the optional 250-Sheet Paper Cassette A3W onto the printer's guide rails, then push the cassette all the way in.



Removing the 250-Sheet Paper Cassette A3W

Follow these steps to remove the 250-Sheet Paper Cassette A3W:

1. Pull out the 250-Sheet Paper Cassette A3W and remove it by lifting up.
2. Put both legs of the standard lower cassette onto the printer's guide rails, then push the cassette all the way in.

500-Sheet Paper Cassette Unit

You can increase the printer's paper-feeding capacity by installing an optional lower cassette. The two optional lower cassettes that are specifically made for your printer are the 500-Sheet Paper Cassette Unit (C12C813871) and the Large Capacity Paper Unit (C12C813891). However, you can only install and use one option at a time.

- The optional 500-Sheet Paper Cassette Unit accommodates one paper cassette and lets you load up to 500 sheets of paper.
- The optional Large Capacity Paper Unit accommodates two paper cassettes, each holding up to 500 sheets of paper.

The handling precautions and the installation and removal procedures are the same for both the 500-Sheet Lower Cassette Unit and the Large Capacity Paper Unit. See "Large Capacity Paper Unit" on page 210 for more information.

Installing the 500-Sheet Paper Cassette Unit

The installation procedure for the 500-Sheet Paper Cassette Unit is the same as that for the Large Capacity Paper Unit. See “Installing the Large Capacity Paper Unit” on page 212 for more information.

Removing the 500-Sheet Paper Cassette Unit

The removal procedure for the 500-Sheet Paper Cassette Unit is the same as that for the Large Capacity Paper Unit. See “Removing the Large Capacity Paper Unit” on page 217 for more information.

Large Capacity Paper Unit

You can increase the printer’s paper-feeding capacity by installing an optional lower cassette. The two optional lower cassettes that are specifically made for your printer are the 500-Sheet Paper Cassette Unit (C12C813871) and the Large Capacity Paper Unit (C12C813891). However, you can only install and use one option at a time.

- ❑ The optional 500-Sheet Paper Cassette Unit accommodates one paper cassette and lets you load up to 500 sheets of paper.
- ❑ The optional Large Capacity Paper Unit accommodates two paper cassettes, each holding up to 500 sheets of paper.

The following table summarizes the paper types and sizes that you can use with the Large Capacity Paper Unit and the 500-Sheet Paper Cassette Unit.

Paper Type	Paper Size	Capacity
Plain paper	A3, A4, B4, B5* Letter (LT), Legal (LG), Executive (EXE)*, Ledger (B)	Up to 500 sheets in each cassette (Total thickness: less than 26 mm for one cassette)
EPSON Color Laser Paper	A3, A4, Letter (LT)	Up to 500 sheets in each cassette
EPSON Color Laser Coated Paper**	A3, A4	Up to 500 sheets in each cassette

* Availability varies by country.

** This media can be fed from this paper source only when Plain is selected as the Paper Type setting in the printer driver



Caution:

The optional 250-Sheet Paper Cassette A3W cannot be installed into the optional Large Capacity Paper Unit or the optional 500-Sheet Paper Cassette Unit. Attempting to force it into these units will damage the paper cassette and the unit.

Note:

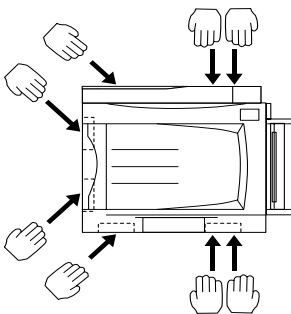
- Load the short edge first for A3, B4, Legal, and Ledger (B) size paper.
- Load paper with the printable surface facing down.

Handling precautions

Always pay attention to the following handling precautions before installing the option:

- The Large Capacity Paper Unit weighs approximately 21.2 kg (47 lbs); always lift it with two or more people.

- ❑ The 500-Sheet Paper Cassette Unit weighs approximately 14 kg (31 lbs); always lift it with two people.
- ❑ When installing either unit on the printer, lock all casters at the bottom of the unit.
- ❑ The printer weighs about 70 kg (154 lbs). One person should not lift or carry it. Four people should carry the printer, lifting it by the correct positions as shown below.



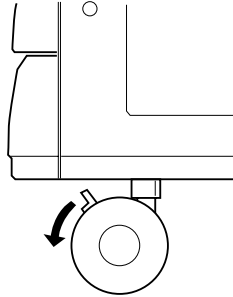
Warning:
If you lift the printer improperly, it may fall and injure you.

Installing the Large Capacity Paper Unit

The Large Capacity Paper Unit accommodates two paper cassettes. The installation procedure for the optional Large Capacity Paper Unit is the same as that for the 500-Sheet Paper Cassette Unit. The illustrations below show an optional Large Capacity Paper Unit with two paper cassettes.

Follow these steps to install the optional Large Capacity Paper Unit or the 500-Sheet Paper Cassette Unit:

1. Make sure the printer is not turned on, and unplug the power cord if it is plugged into an electrical outlet.
2. Lock all the casters at the bottom of the unit.



Warning:

You should lock all casters before installing the unit on the printer. Otherwise, the unit may move and cause an accident.



Caution:

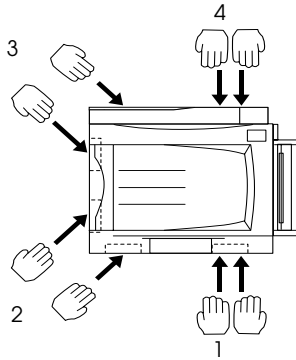
You should remove the face-up tray located on the left side of the printer and fold up the MP tray located on the right side of the printer during the installation procedure. Otherwise, you may damage the trays.

3. Lift the printer up.

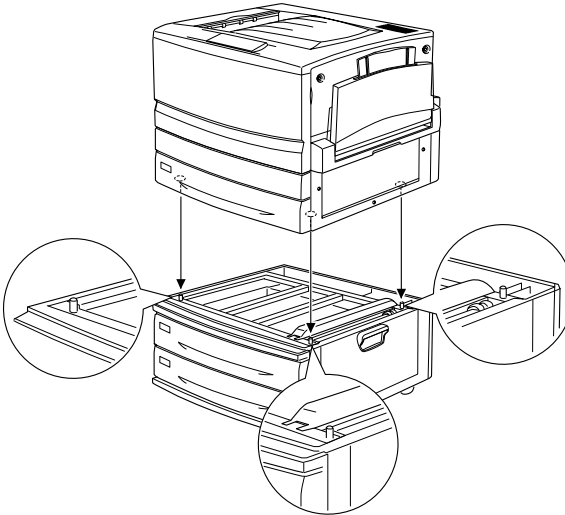


Warning:

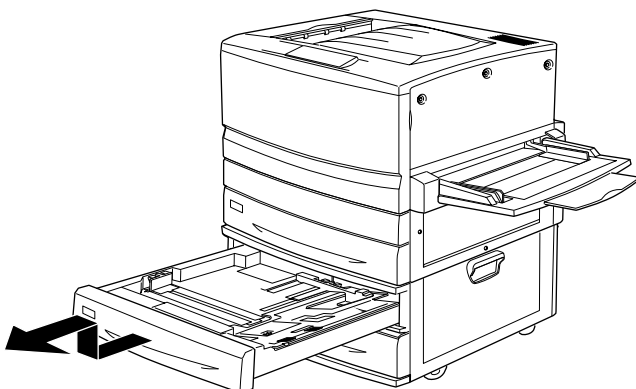
Four people should lift the printer by the correct positions as shown below.



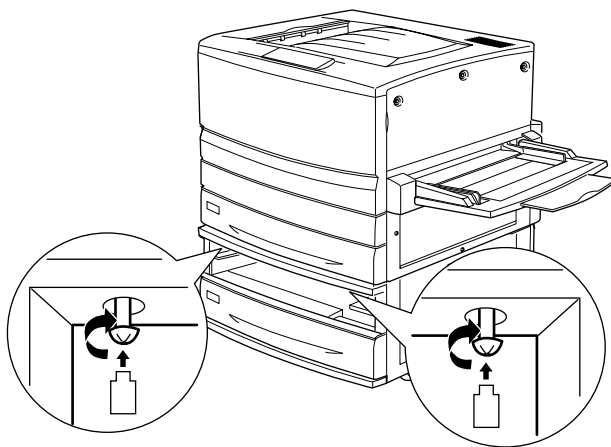
4. Lower the printer onto the unit. Fit the three pins into the holes in the printer.



5. Pull out the upper paper cassette and remove it by lifting it up.

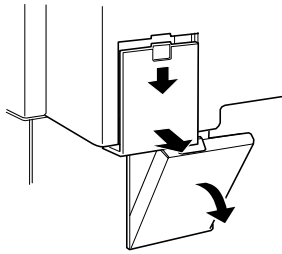


6. Tighten the two screws using the provided metal plate.

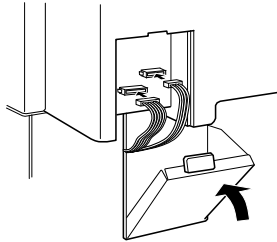


7. Reinsert the upper paper cassette back into the unit.

8. On the back of the printer, slide the upper cover down and open the lower cover.



9. Connect the two sets of connectors respectively. Close the cover.



10. Reattach the left connector cover.
11. Plug the printer's power cord into an electrical outlet.
12. Turn on the printer.

To confirm that the Large Capacity Paper Unit or the 500-Sheet Paper Cassette Unit is installed correctly, print a status sheet. If the unit is not listed on the status sheet, make sure the electronic connectors connecting the option to the printer are connected securely.

Removing the Large Capacity Paper Unit

The removal procedure for the optional Large Capacity Paper Unit is the same as that for the 500-Sheet Paper Cassette Unit. The illustrations below show an optional Large Capacity Paper Unit with two paper cassettes.

Follow these steps to remove the Large Capacity Paper Unit or the 500-Sheet Paper Cassette Unit:

1. Make sure the printer is not turned on, and unplug the power cord if it is plugged into an electrical outlet.
2. Lock all casters at the bottom of the unit.



Warning:

You should lock all casters before removing the unit from the printer. Otherwise, the unit may move and cause an accident.

3. Remove the left connector cover at the back of the printer by sliding it down, then open the right cover underneath.
4. Disconnect the two cables from the connectors on the printer, then close the right cover and reattach the left connector cover.
5. Remove the upper paper cassette from the unit.
6. Loosen the two screws on the top of the slot to release the unit from the printer.
7. Reinsert the upper paper cassette back into the unit.
8. Gently lift up the printer until the holes on the bottom of the printer are free from the three pins on the top of the unit.



Warning:

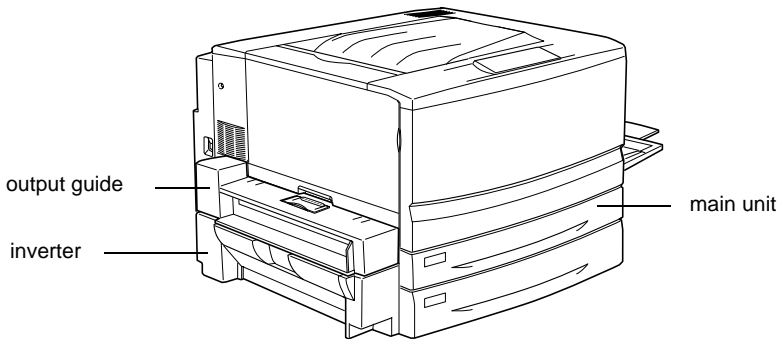
Four people should lift the printer by the correct positions as shown under "Handling precautions" on page 211.

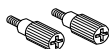
9. Set the printer down on a stable and level surface.
10. Reconnect all interface cables.
11. Plug the printer's power cord into an electrical outlet.
12. Turn on the printer.

Duplex Unit

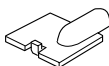
The optional Duplex Unit (C12C813881) allows you to automatically print on both sides of paper.

The Duplex Unit consists of three components, namely, the output guide, the inverter, and the main unit. The illustration below shows all the items packed together with the Duplex Unit (except the printer).





screws (two)



connector cover

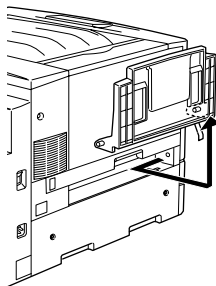
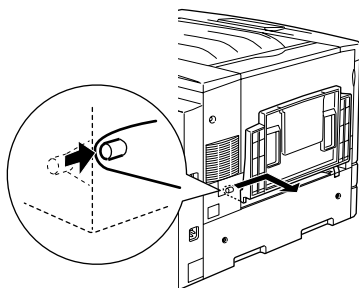


metal plate

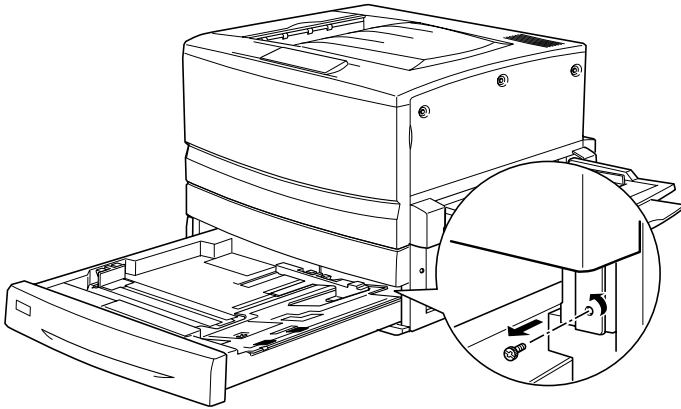
Installing the Duplex Unit

Follow these steps to install the optional Duplex Unit:

1. Make sure the printer is not turned on, and unplug the power cord if it is plugged into an electrical outlet.
2. Remove the face-up tray from the printer.



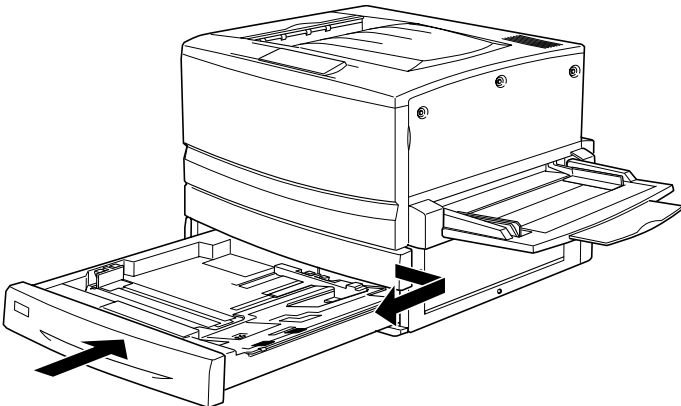
3. Pull out the standard lower cassette to remove the screw.



Note:

Keep the screw in a safe place as you will need it when you remove the Duplex Unit.

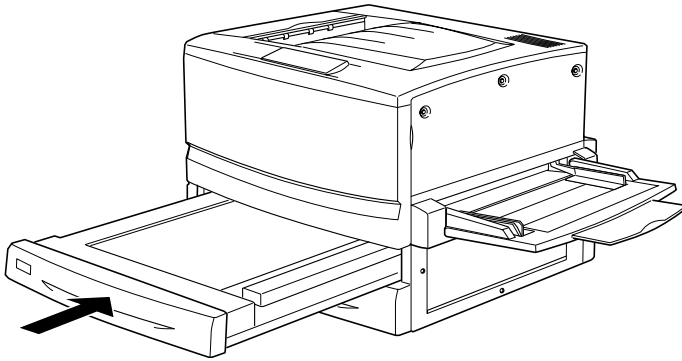
4. Remove the Duplex Unit slot cover and push the standard lower cassette back into the printer.



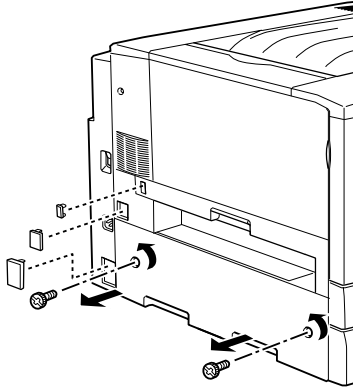
Note:

Keep the slot cover in a safe place as you will need to reattach it when you remove the Duplex Unit.

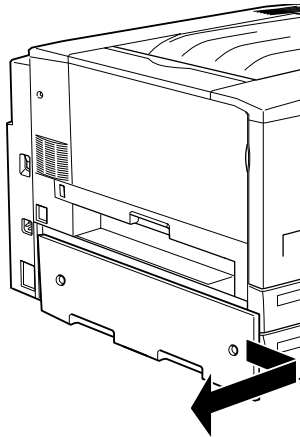
5. Remove all the items that shipped with the Duplex Unit from its package.
6. Insert the main unit all the way into the slot above the standard lower cassette.



7. Remove the three small plastic pieces on the left side of the printer using the provided metal plate, then remove the two screws.



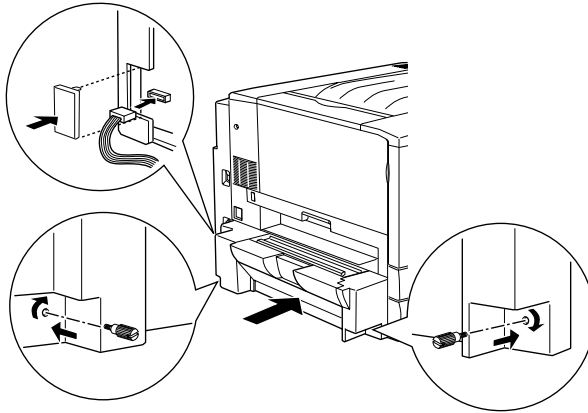
8. Remove the cover.



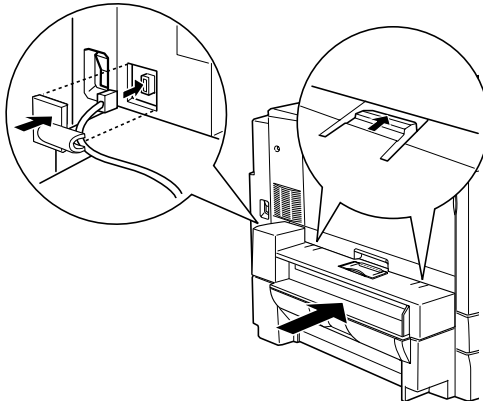
Note:

Keep the two smaller plastic pieces, the two screws, and the cover in a safe place.

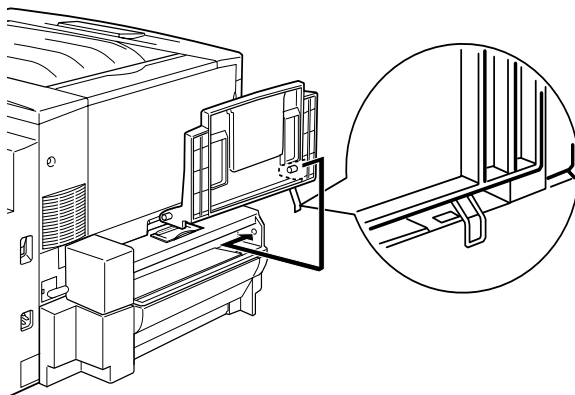
9. Fasten the inverter with the provided screws, then reattach the larger plastic piece removed in step 7 after attaching the cable to the connector.



10. Attach the Duplex Unit output guide onto the printer as shown below, then connect the cable to the connector. Finally, conceal the connection using the provided connector cover.

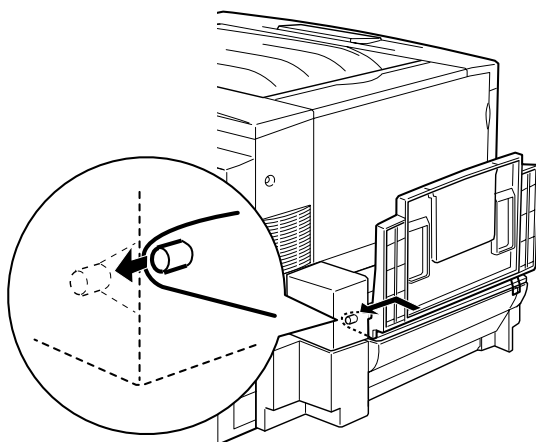


11. Attach the face-up tray onto the Duplex Unit output guide.



Caution:

Do not insert the metal spring into the output slot or any holes in the printer case. Doing so may damage the face-up tray or your printer.



12. Plug the printer's power cord into an electrical outlet.
13. Turn on the printer.

To confirm that the Duplex Unit is installed correctly, print a status sheet. If the unit is not listed on the status sheet, make sure the electronic connectors connecting the Duplex Unit to the printer are connected securely.

Removing the Duplex Unit

Follow these steps to remove the Duplex Unit:

1. Make sure the printer is not turned on, and unplug the power cord if it is plugged into an electrical outlet.
2. Remove the face-up tray from the Duplex Unit output guide on the left side of the printer.
3. Remove the connector cover and disconnect the cable of the Duplex Unit output guide from the connector on the printer. Then remove the Duplex Unit output guide.
4. Remove the plastic piece and disconnect the cable of the inverter from the connector on the printer. Then loosen the two screws to remove the inverter.
5. Reattach the cover (removed and stored during installation) with the screws, then reattach the three small plastic pieces.
6. Remove the main unit of the Duplex Unit from the front of the printer.
7. Reattach the Duplex Unit slot cover and fasten it with the screw removed and stored during the installation procedure.

Note:

You have to pull out the standard lower cassette to be able to fasten the screw.

8. Reattach the face-up tray to the left side of the printer.
9. Plug the printer's power cord into an electrical outlet.
10. Turn on the printer.

Hard Disk Drive

The optional Hard Disk Drive (C12C823921) allows you to expand the printer's receive buffer when the Ethernet interface is used, and print complex and large print jobs at high speed.

Installing the Hard Disk Drive

Follow these steps to install the optional Hard Disk Drive:



Caution:

Before you install the Hard Disk Drive, be sure to discharge any static electricity by touching a grounded piece of metal. Otherwise, you may damage static-sensitive components.

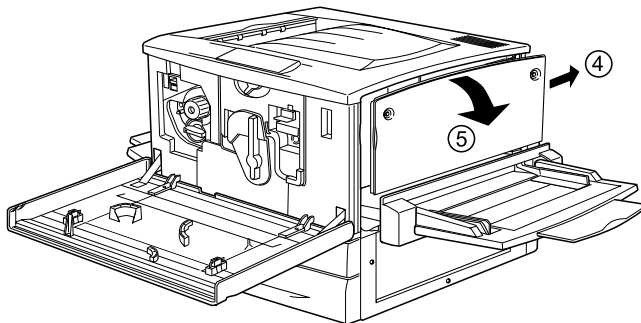
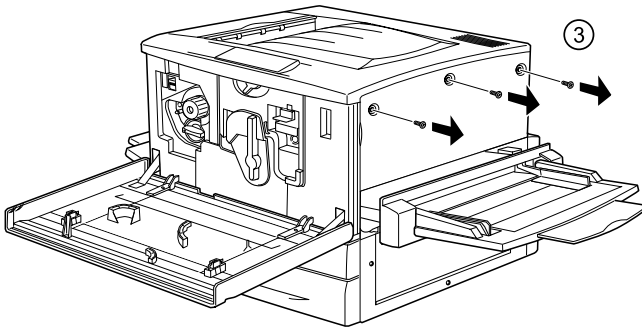
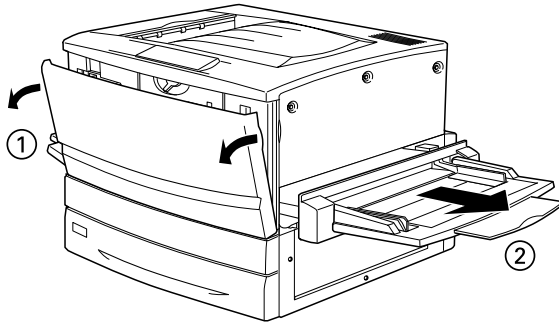


Warning:

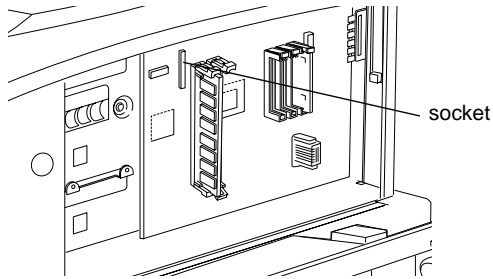
Be careful when working inside the printer as some components are sharp and may cause injury.

1. Make sure the printer is not turned on, and that the power cord is unplugged.

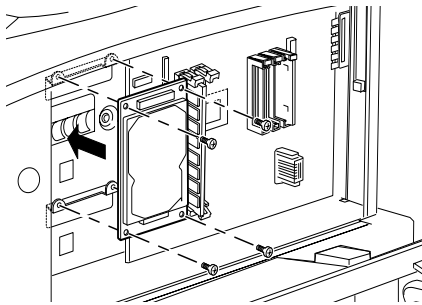
2. Prepare the printer as shown below to access the Hard Disk Drive socket.



3. Identify the Hard Disk Drive socket.

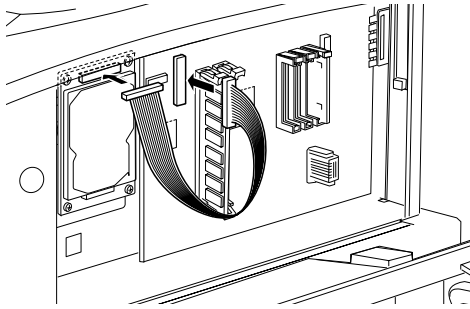


4. Install the Hard Disk Drive securely with the screws.

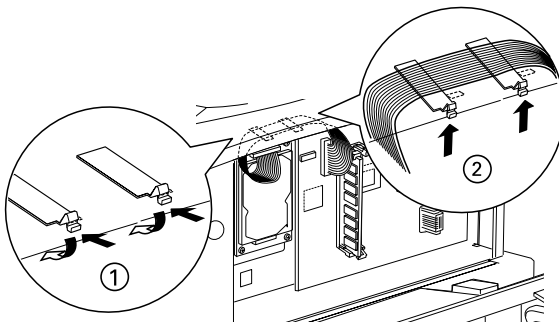


Caution:
*You should not remove any modules from the circuit board.
Otherwise, the printer will not work.*

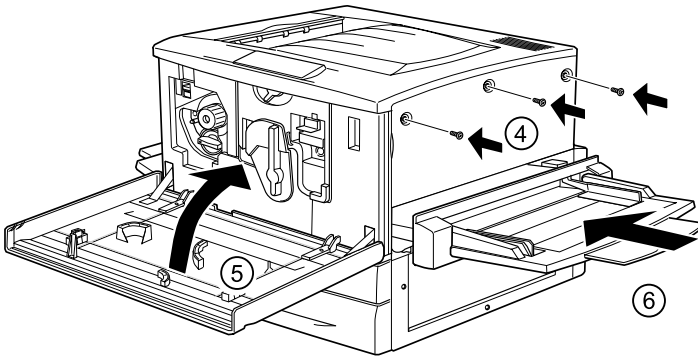
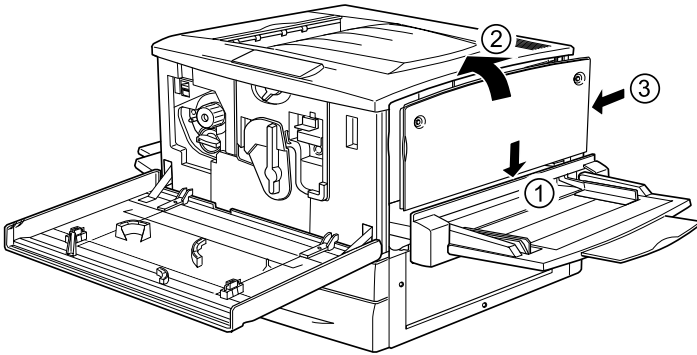
5. Connect the two connectors of the cable as shown below.



6. Lower the two clamps to insert the cable, then raise the clamps.



- Return the printer to its original state, as shown below.



- Plug the printer's power cord into an electrical outlet.
- Turn on the printer.
- To confirm that the Hard Disk Drive is installed correctly, print a status sheet. See "Printing a Status Sheet" on page 253.


Making Hard Disk Drive settings

If you are using Windows, follow these steps to make sure that the disk drive is correctly recognized by the printer driver.

1. Click the Optional Settings tab.
2. Select the Update the Printer Option Info Manually button, then click the Settings button. The Optional Settings dialog box opens.
3. Select the HDD Unit check box.
4. Click OK.

Reformatting the Hard Disk Drive

To reformat the Hard Disk Drive, follow the instructions below.

1. Make sure the printer is off. Disconnect the all interface cables.
2. Hold down the ▼ Down button while you turn on the printer.
3. Press the ▼ Down button a few times until HDD format appears on the LCD panel, then press the  Enter button to format the Hard Disk Drive.

Note:

- After reformatting the Hard Disk Drive, the printer will automatically reboot.*
- When you want to erase only the fonts installed from the optional Adobe PostScript 3 (PS3), follow steps 1 through 3 above. Select PS3 HDD Init when the optional Adobe PostScript 3 Rom module is installed.*
- Other fonts installed from PS3 will also be erased.*
- When installing a Hard Disk Drive from a different printer, reformat it with this function.*

Removing the Hard Disk Drive

Follow these steps to remove the Hard Disk Drive:



Caution:

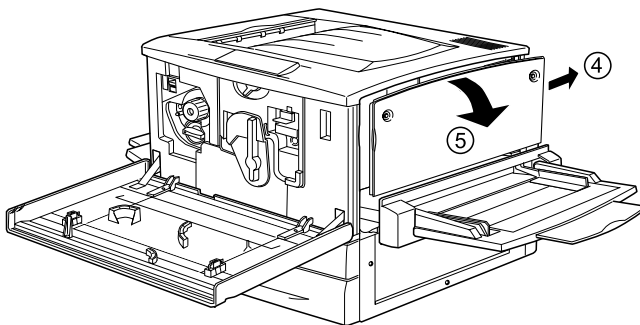
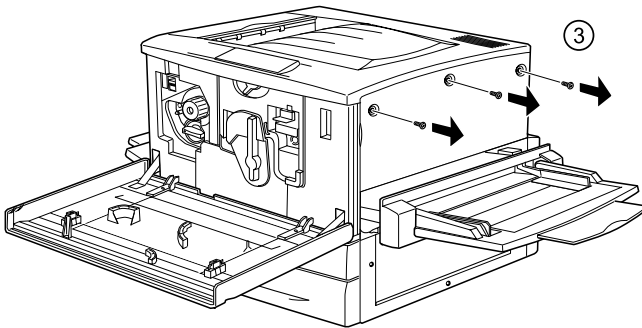
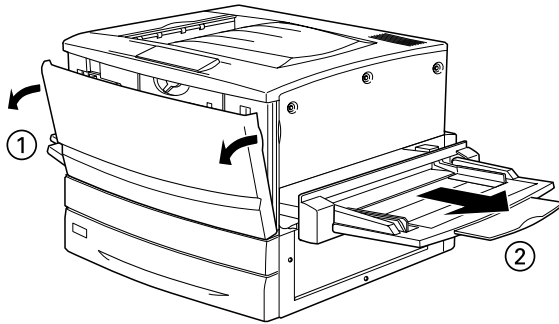
Before you remove the Hard Disk Drive, be sure to discharge any static electricity by touching a grounded piece of metal. Otherwise, you may damage static-sensitive components.



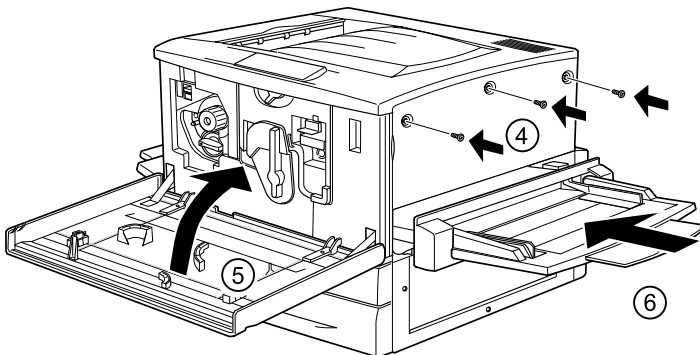
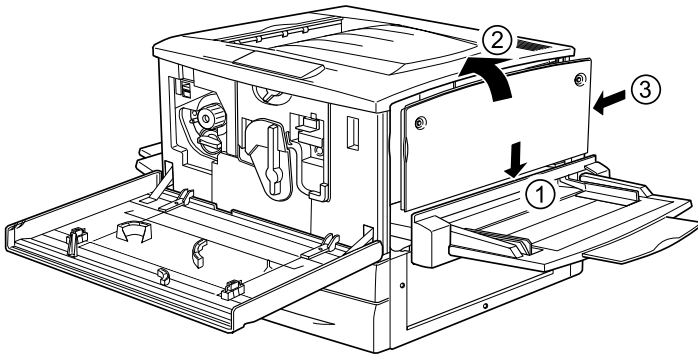
Warning:

Be careful when working inside the printer as some components are sharp and may cause injury.

1. Access the Hard Disk Drive as shown below.



2. Loosen and remove the retaining screws with a cross-head screwdriver, then remove the shield plate on the Hard Disk Drive.
3. Grasp both sides of the Hard Disk Drive and pull it out of the socket.
4. Reattach the shield plate to the circuit board and secure it with the retaining screws.
5. Complete the procedure as shown below.



Memory Module

Increasing the printer's memory allows you to print complex or graphics-intensive documents. You can increase printer memory up to 1 GB by installing optional Dual In-line Memory Modules (DIMMs).

This printer has two DIMM slots, but one slot has a 64 MB DIMM already installed in it at the time of manufacture. To increase printer memory to its maximum of 1 GB, you have to purchase two 512 MB DIMMs and remove the original 64 MB DIMM.

You can purchase DIMMs from various vendors. Be sure they meet the following requirements.

DRAM type	Synchronous Dynamic RAM Dual In-line Memory Module (SDRAM DIMM)
Memory size	64, 128, 256, or 512 MB
Type	168-pin type, 64 bit, with SPD*
Clock frequency	100 MHz or higher (10 ns or less)
CAS Latency	CL=2
Height	Less than 40 mm

- * SPD stands for Serial Presence Detect, a chip residing on the memory module that contains information about the size, speed, and other specifications of the memory as well as manufacturer information that can be retrieved by the motherboard through electronic signals.

Note:

The total printer memory is the standard 64 MB plus the optional DIMM. For example, if you install an optional 32 MB DIMM, the total printer memory is 96 MB.

Installing a memory module

Follow these steps to install an optional memory module.



Caution:

Before you install a memory module, be sure to discharge any static electricity by touching a grounded piece of metal. Otherwise, you may damage static-sensitive components.

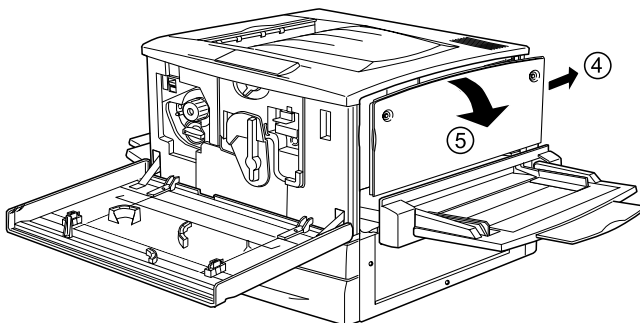
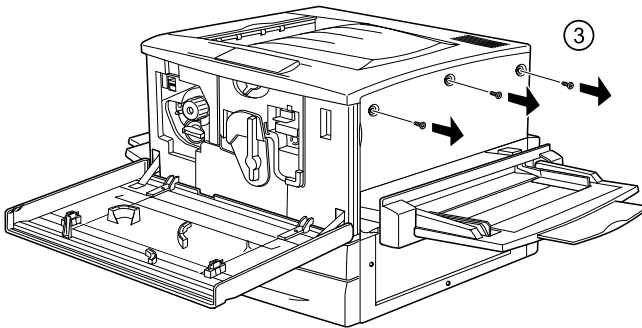
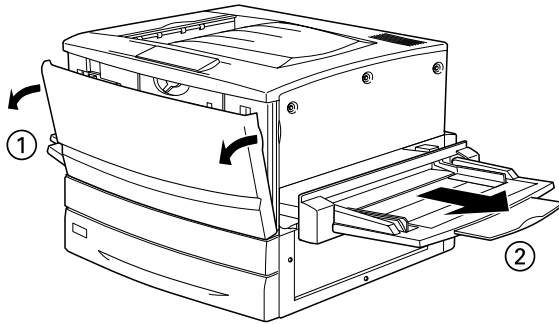


Warning:

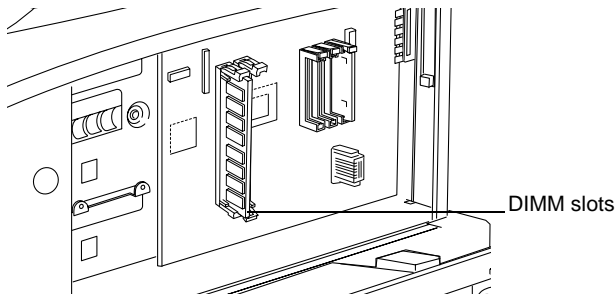
Be careful when working inside the printer as some components are sharp and may cause injury.

1. Make sure the printer is not turned on, and that the power cord is unplugged.

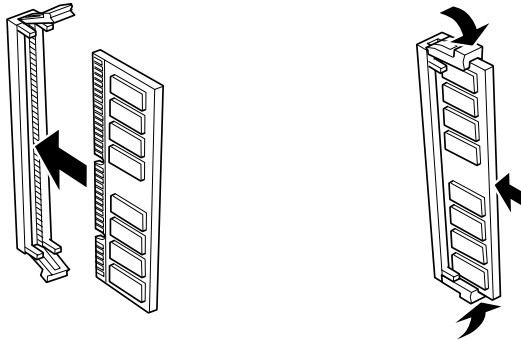
2. Prepare the printer as shown below to access the DIMM slots.



3. Identify the DIMM slots.



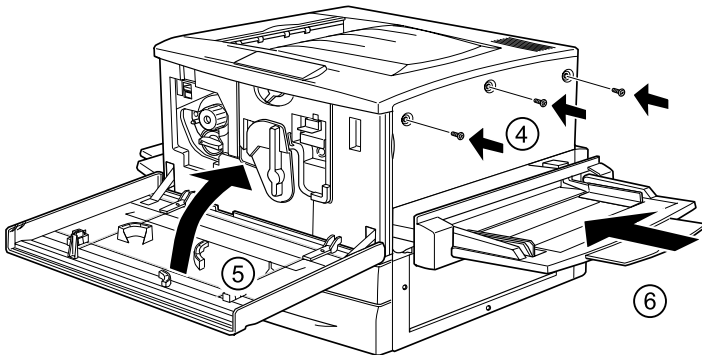
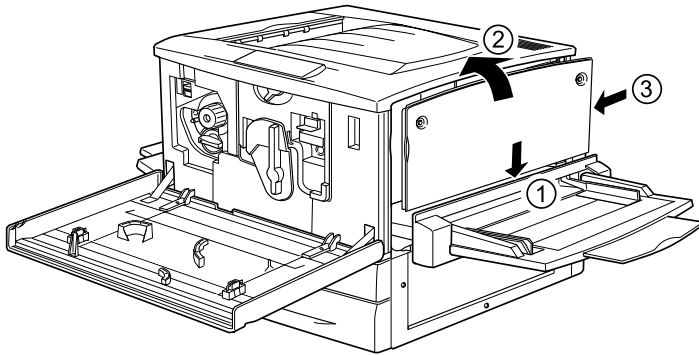
4. Insert the DIMM into either slot. The two clips lock onto the DIMM.



Caution:

- ❑ *Do not force the DIMM into the slot.*
- ❑ *Be sure to insert the DIMM facing the correct way.*
- ❑ *You should not remove any modules from the circuit board. Otherwise, the printer will not work.*

- Return the printer to its original state as shown below.



- Plug the printer's power cord into an electrical outlet.
- Turn on the printer.
- To confirm that the memory module is installed correctly, print a status sheet. See "Printing a Status Sheet" on page 253.

Removing a memory module

Follow these steps to remove a memory module:



Caution:

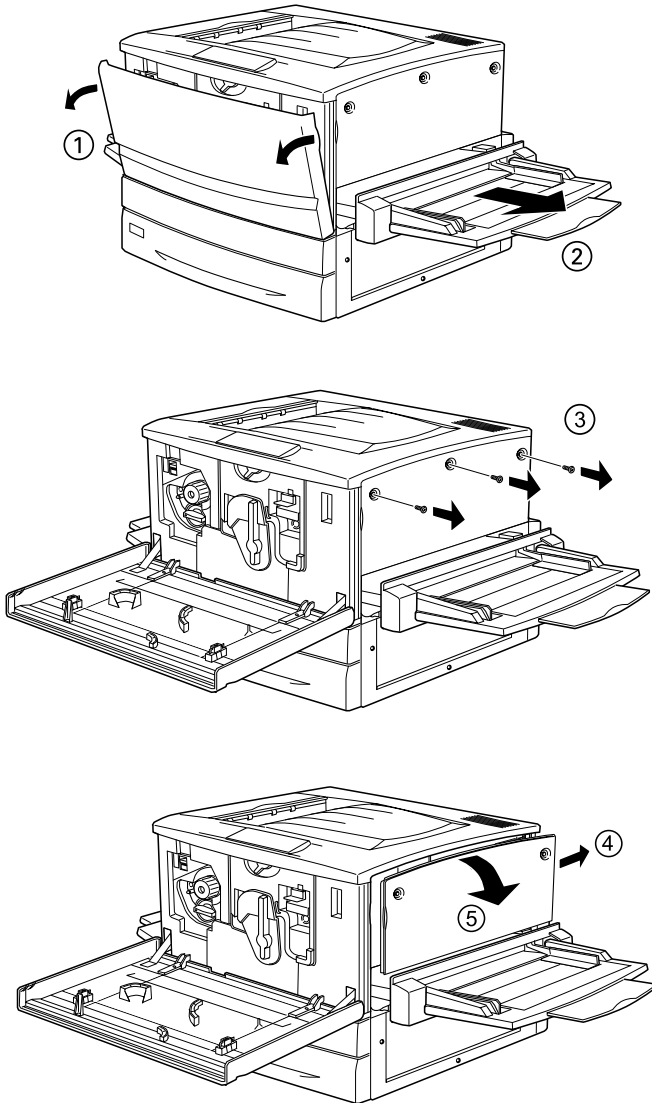
Before you remove a memory module, be sure to discharge any static electricity by touching a grounded piece of metal. Otherwise, you may damage static-sensitive components.



Warning:

Be careful when working inside the printer as some components are sharp and may cause injury.

1. Access the circuit board as shown below.



2. Push the clips on each side of the slot outward to release the memory module.

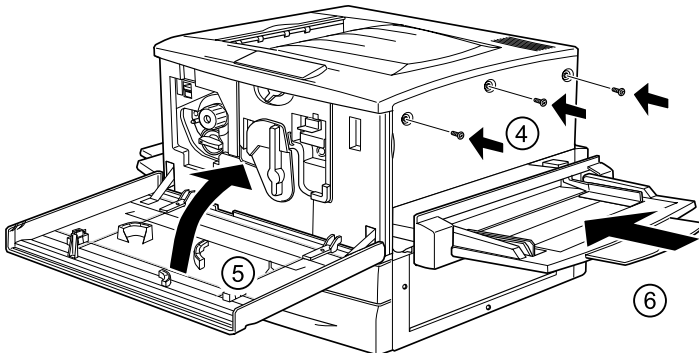
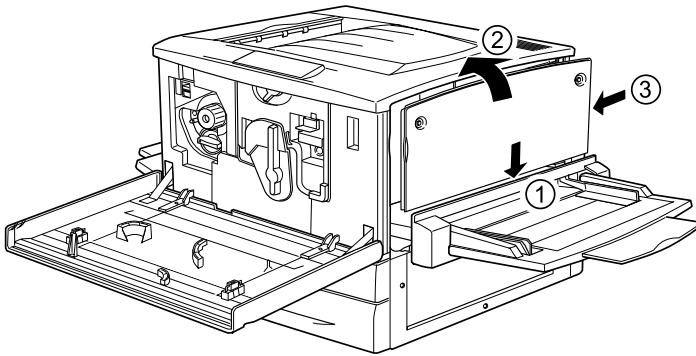
3. Grasp both sides of the memory module and pull the module out.



Caution:

You should not remove any other modules from the circuit board. Otherwise, the printer will not work.

4. Store the memory module in an anti-static packet such as the one it came packaged in.
5. Complete the procedure as shown below.



Adobe PostScript 3 ROM Module

In some locations, the Adobe PostScript 3 Kit (C12C83249*) ROM module is available as an option. This module allows your printer to print documents in the PostScript printing language.

Note:

The Adobe PostScript 3 ROM Module cannot be used for a Macintosh connected with the IEEE 1394 Type B Interface Card.

Installing the Adobe PostScript 3 ROM module

Follow these steps to install the optional Adobe PostScript 3 ROM module:



Caution:

Before you install the ROM module, be sure to discharge any static electricity by touching a grounded piece of metal. Otherwise, you may damage static-sensitive components.



Warning:

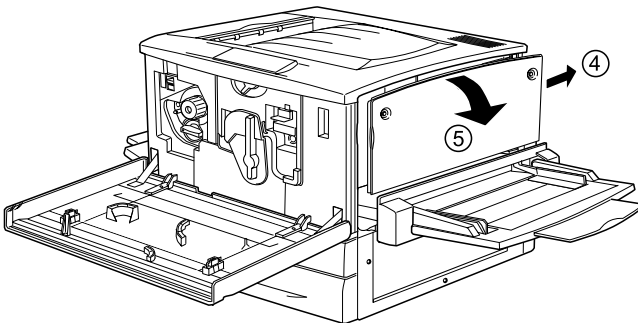
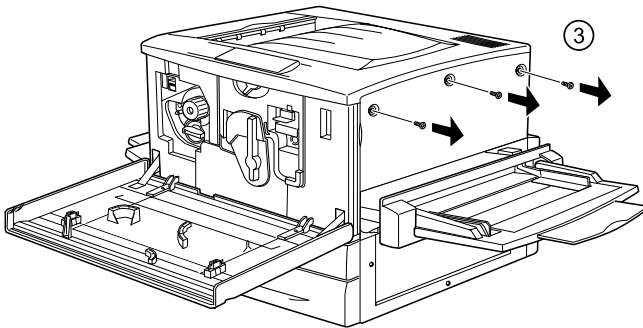
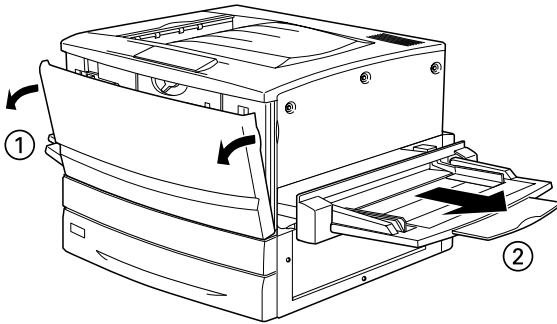
Be careful when working inside the printer as some components are sharp and may cause injury.

Note:

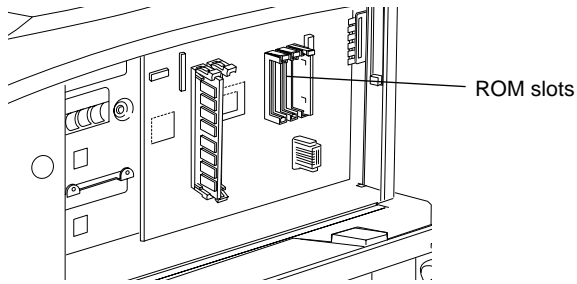
The optional ROM modules that expand your printer's features differ, depending on the country of purchase.

1. Make sure the printer is not turned on, and that the power cord is unplugged.

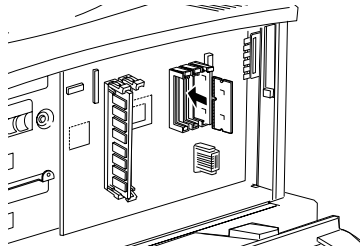
2. Prepare the printer as shown below.



3. Identify the ROM slots.



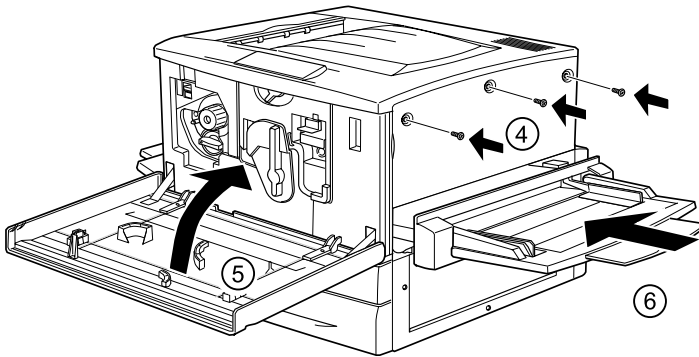
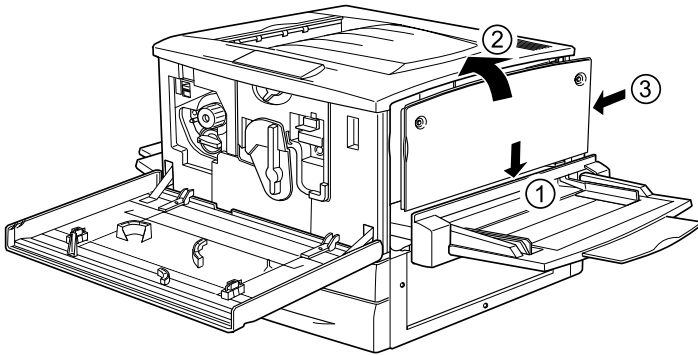
4. Insert the module firmly into slot A or B, as shown below.



Caution:

- ❑ *Do not force the ROM module into the slot.*
- ❑ *Be sure to insert the module facing the correct way.*
- ❑ *You should not remove any modules from the circuit board. Otherwise, the printer will not work.*

- Return the printer to its original state as shown below.



- Plug the printer's power cord into an electrical outlet.
- Turn on the printer.
- To confirm that the ROM module is installed correctly, print a status sheet. See "Printing a Status Sheet" on page 253.

Removing the Adobe PostScript 3 ROM module

Follow these steps to remove the Adobe PostScript 3 ROM module:



Caution:

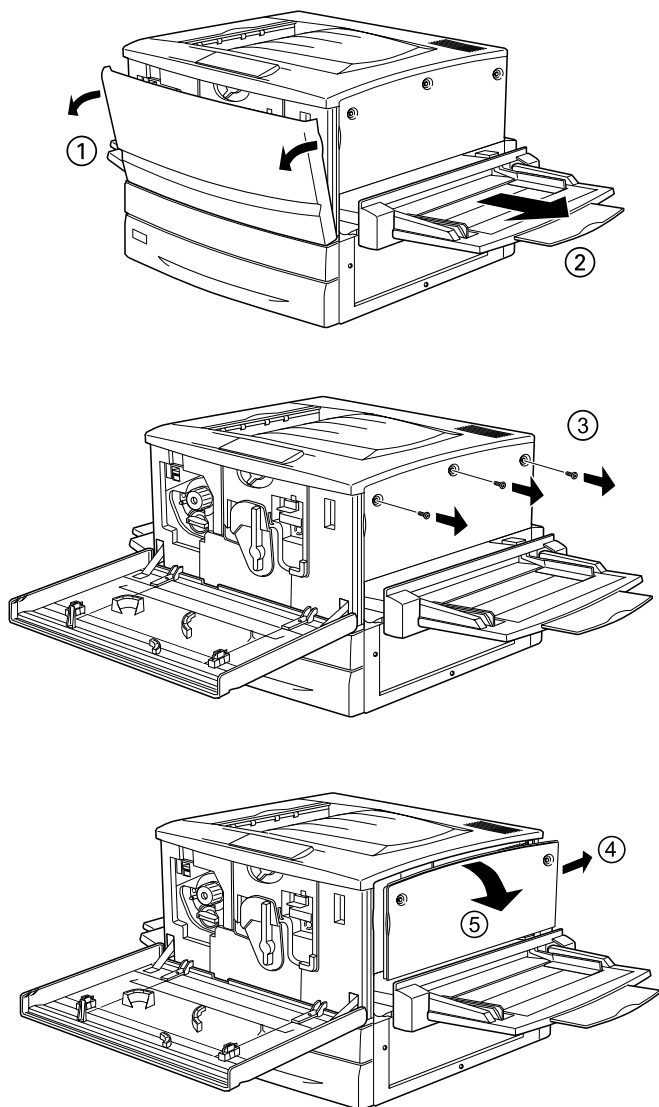
Before you remove the ROM module, be sure to discharge any static electricity by touching a grounded piece of metal. Otherwise, you may damage static-sensitive components.



Warning:

Be careful when working inside the printer as some components are sharp and may cause injury.

1. Access the circuit board as shown below.



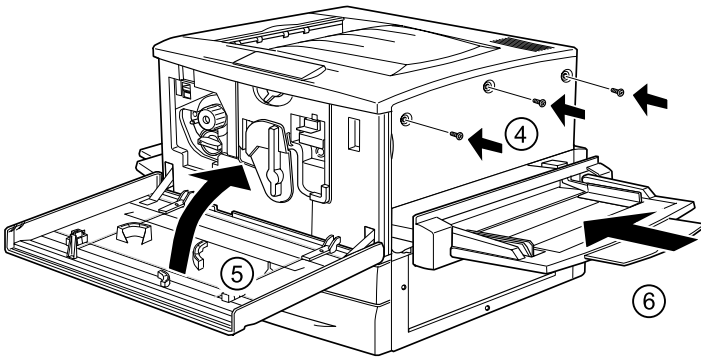
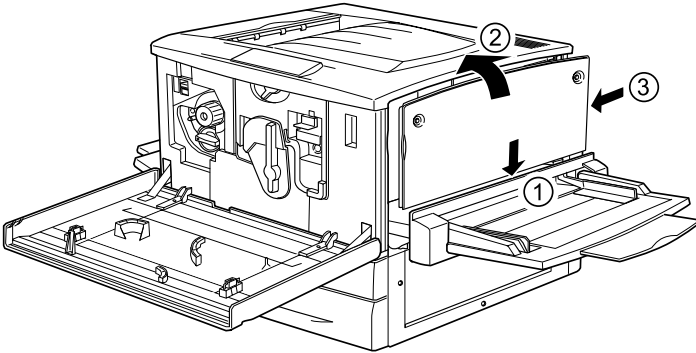
2. Push down on the X tab on the left of the ROM slot until the ROM module is detached from the slot.



Caution:

You should not remove any other modules from the circuit board. Otherwise, the printer will not work.

3. Pull the ROM module out of the slot.
4. Complete the procedure as shown below.



Interface Cards

You can install various optional interface cards to supplement your printer's built-in parallel, USB, and Ethernet interfaces and provide added network compatibility.

If you are unsure whether you need this optional interface or would like to know more about interfaces, contact your dealer.

Installing an interface card

Your printer comes with a Type B interface slot. Various optional interface cards are available to expand your printer's interface options.

Note:

Mac OS 8.5.1 to 9.X supports the Type B IEEE 1394 Interface Card (C12C82372). It can be connected to a Macintosh® FireWire® port.*

Follow these steps to install an optional interface card.

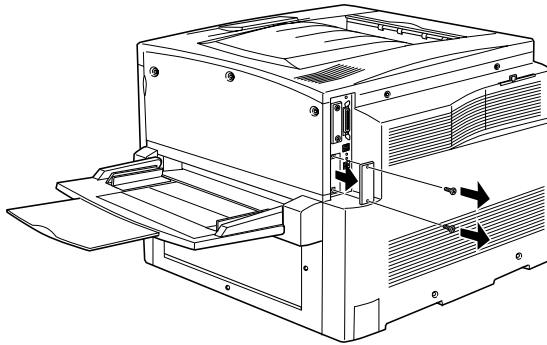


Caution:

Before you install the interface card, be sure to discharge any static electricity by touching a grounded piece of metal. Otherwise, you may damage static-sensitive components.

1. Make sure the printer is not turned on, and that the power cord is unplugged.
2. Be sure to set any switches and jumpers on the card, as necessary. See the interface card's manual for details.

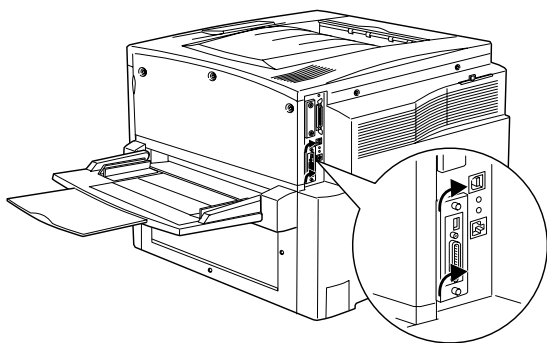
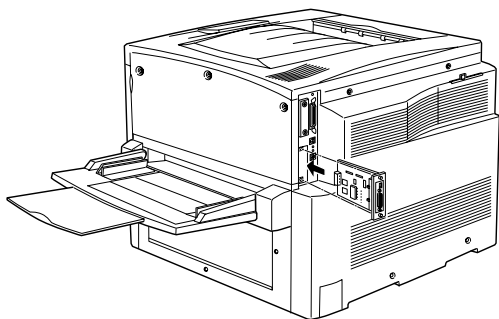
3. Remove the screws as shown below and remove the cover.



Note:

Keep the slot cover in a safe place. You will need to reattach it if you remove the interface card later.

- Slide and push the interface card into the slot firmly, then fasten the screw as shown below.



- Plug the printer's power cord into an electrical outlet.
- Turn on the printer.
- To confirm that the interface card is installed correctly, print a status sheet. See "Printing a Status Sheet" on page 253.

Removing an interface card

Follow these steps to remove an optional interface card.



Caution:

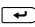
Before you remove an interface card, be sure to discharge any static electricity by touching a grounded piece of metal. Otherwise, you may damage static-sensitive components.

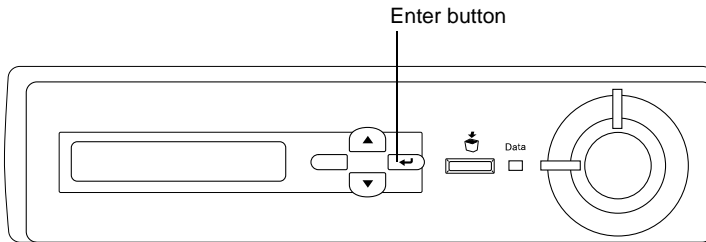
1. Loosen and remove the two screws securing the interface card onto the back of the printer.
2. Gently but firmly pull the interface card out until it is released from the printer's internal socket.
3. Replace the interface slot cover (removed and stored when the interface card was installed) over the now empty slot. Use the two screws to secure it.
4. Keep the interface card in an anti-static packet such as the one it came packaged in.

Printing a Status Sheet

To confirm that the options are installed correctly, print a status sheet using the printer's control panel.

1. Turn on the printer. After about 30 seconds, the LCD panel shows `Ready`.

2. Press the  Enter button three times. The printer prints a status sheet.



3. Confirm that the information about the installed options is correct. If the options are installed properly, they appear under Hardware Configurations. If the options are not listed, try reinstalling them.

Note:

- If the status sheet does not list your installed options correctly, make sure that they are securely connected to the printer.*
- If you are unable to get the printer to print a correct status sheet, contact your dealer.*
- For the Windows printer driver, you can update the installed option information manually. Select the **Update the Printer Option Info Manually** button and click **Settings** from the **Optional Settings** tab. The **Optional Settings** dialog box appears. Make settings for each installed option, then click **OK**.*

Chapter 8

Replacing Consumable Products

Replacement Messages

When you see the following messages on the LCD panel or on the window of the EPSON Status Monitor 3 utility, replace the appropriate consumable products. You can continue to print for a short time after a message appears, but EPSON recommends early replacement to maintain print quality and extend the life of your printer.

Control panel message	Description
XXXX* Toner Low	The amount of remaining toner in the toner cartridge(s) is low.
Worn Photoconductor	The photoconductor unit is near the end of its service life.
Waste T Box Nearfull	The waste toner collector is nearly full of toner.

* C, M, Y, and/or K are indicated for the color of the toner to be replaced. For example, the message **Y Toner Low** means that the amount of remaining toner in the yellow toner cartridge is low.

Note:

If you press the **Start** button, the message on the LCD panel disappears.

If you continue to use the printer without replacing consumable products and a consumable product reaches the end of its service life, the printer stops printing and displays the following messages on the LCD panel or the window of the EPSON Status Monitor 3 utility. When this happens, the printer cannot resume printing until you replace the depleted consumable products.

Control panel message	Description
XXXX* Toner Out	The toner cartridge is empty.
Replace Photoconductor	The photoconductor unit has reached the end of its service life.
Replace Waste Toner Box	The waste toner collector is full of toner.

* C, M, Y, and/or K are indicated for the color of the toner to be replaced. For example, the message Y Toner Out means that you need to replace the yellow toner cartridge.

Note:

Messages appear for each consumable product at a time. After replacing a consumable product, check the LCD panel for replacement messages for other consumable products.

Precautions During Replacement

You need to replace the following consumable products when a notice message is displayed on the LCD panel or the window of the EPSON Status Monitor 3 utility.

Keep the following in mind when replacing consumable products.

- Provide enough space for the replacement procedure. You will have to open some parts (such as the front cover) of the printer when you are replacing consumables.

- ❑ Do not install used consumable products into the printer.



Warning:

- ❑ *Be careful not to touch the fuser, which is marked **CAUTION! HIGH TEMPERATURE**, or the surrounding areas. If the printer has been in use, the fuser and the surrounding areas may be very hot.*
- ❑ *Do not dispose of used consumable products in fire, as they may explode and cause injury. Dispose of them according to local regulations.*

Toner Cartridge

According to the message on the LCD panel or on the window of the EPSON Status Monitor 3 utility, replace the correct toner cartridge from the list below:

Toner Cartridge (Black)	S050038/S050082
Toner Cartridge (Yellow)	S050039/S050079
Toner Cartridge (Magenta)	S050040/S050080
Toner Cartridge (Cyan)	S050041/S050081

Handling precautions

Always pay attention to the following handling precautions before replacing toner cartridges:

- ❑ Do not install used toner cartridges into the printer.
- ❑ Wait for at least one hour before installing a toner cartridge after moving it from a cool to a warm environment to prevent damage from condensation.



Warning:

- ❑ *Do not touch the toner. Keep the toner away from your eyes. If toner gets on your skin or clothes, wash it off with soap and water immediately.*

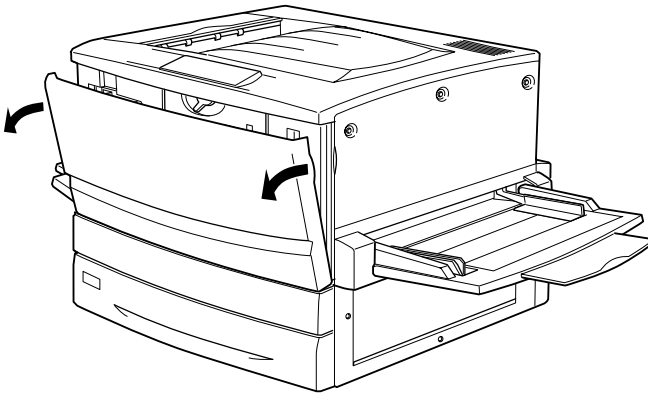
- ❑ *Keep toner cartridges out of the reach of children.*

- ❑ *Do not dispose of used toner cartridges in fire, as they may explode and cause injury. Dispose of them according to local regulations.*

Replacing a toner cartridge

Follow these steps to replace a toner cartridge.

1. Confirm the color of the toner cartridge that needs to be replaced by checking the LCD panel.
2. Open the front cover.

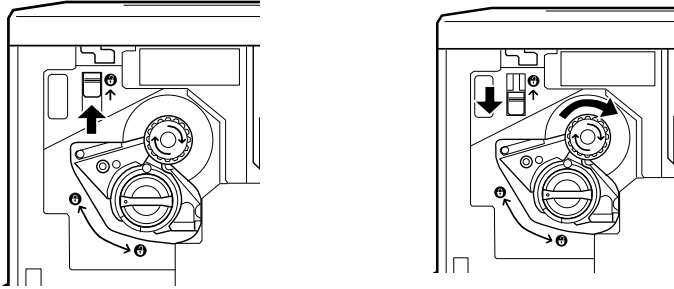


3. Check the color of the toner cartridge that appears in the cartridge installment window.

If you see the color that you need to replace, go to step 5.

If you see a different color, go to the next step.

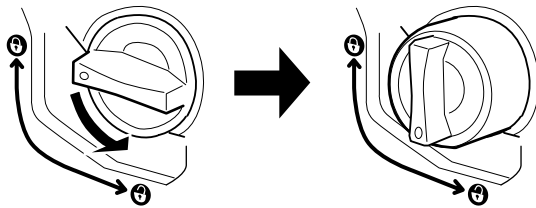
4. Push up the switch, then release it. Turn the knob until it stops. Repeat these steps until you see the color that you need to replace.



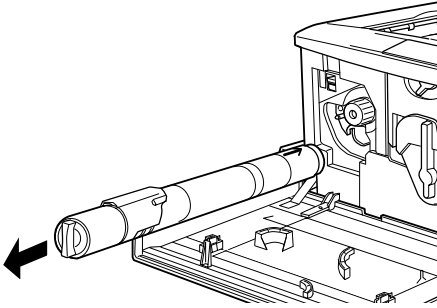
Note:

If the knob cannot be moved, first check that the switch is in the upper position. Do not turn the knob by force.

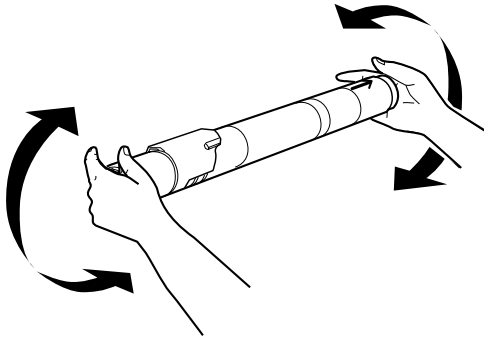
5. Turn the cartridge knob as shown below.



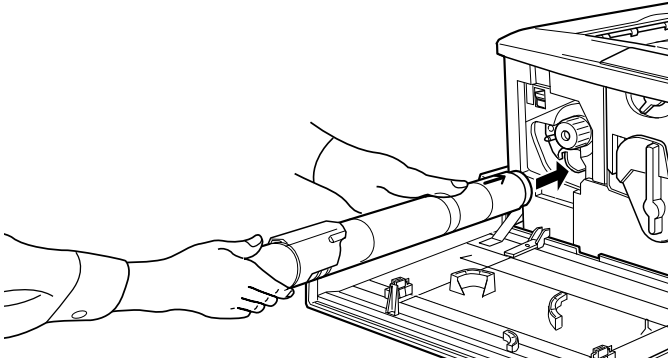
6. Pull the toner cartridge out of the slot.



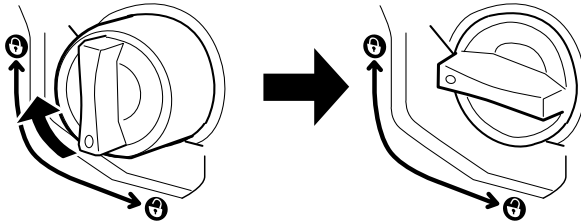
7. Take the new toner cartridge out of its package, and gently shake it as shown below.



8. Insert the toner cartridge all the way until it stops.



9. Turn the cartridge knob as shown below.



Caution:
*Be sure to turn the knob all the way to the locked position.
Otherwise, you may have toner problems or leakage.*

10. If you need to replace another toner cartridge, repeat steps 3 to 9.
11. Close the front cover.

Photoconductor Unit

Prepare a new photoconductor unit for replacement when you see a message informing you to do so. The photoconductor unit has a slot that accommodates the waste toner collector.

When you purchase a photoconductor unit, it always comes with a waste toner collector because it usually needs replacement at the same time as the photoconductor unit. However, the waste toner collector is also sold individually as you may need to replace it separately depending on use.

Handling precautions

Always pay attention to the following handling precautions before replacing the photoconductor unit:

- ❑ When replacing the photoconductor unit, avoid exposing it to room light any longer than necessary.
- ❑ Be sure not to scratch the surface of the drum. Also, avoid touching the drum, since oil from your skin may permanently damage its surface and affect print quality.
- ❑ To get the best print quality, do not store the photoconductor unit in an area subject to direct sunlight, dust, salty air, or corrosive gases (such as ammonia). Avoid locations subject to extreme or rapid changes in temperature or humidity.



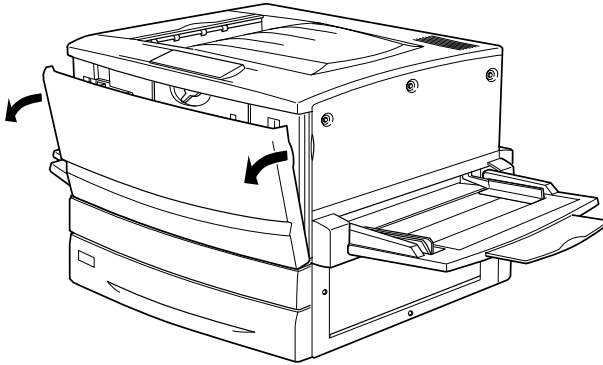
Warning:

- ❑ *Do not dispose of the used photoconductor unit in fire, as it may explode and cause injury. Dispose of it according to local regulations.*
- ❑ *Keep the photoconductor unit out of the reach of children.*

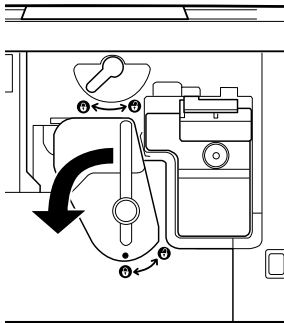
Replacing the photoconductor unit

Follow these steps to replace the photoconductor unit:

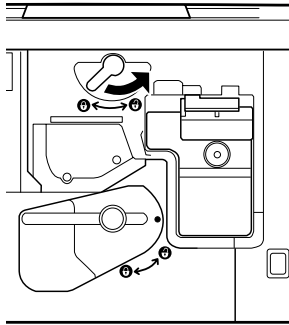
1. Turn off the printer.
2. Open the front cover.



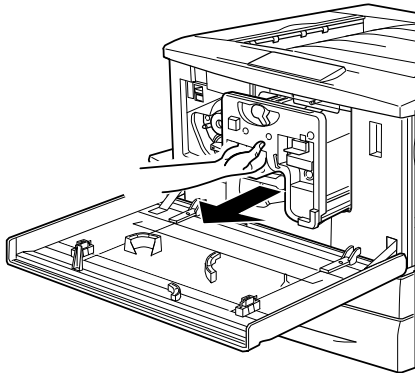
3. Turn the large lever 90 degrees counterclockwise.



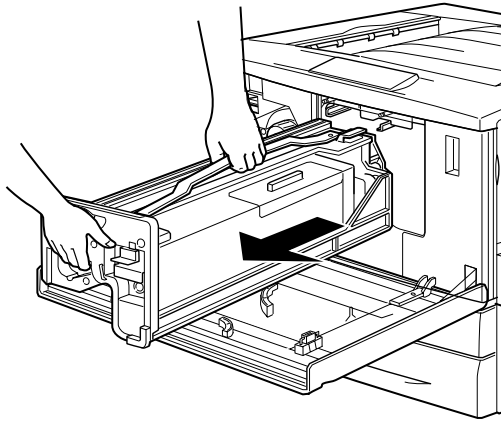
4. Turn the small lever to the right.



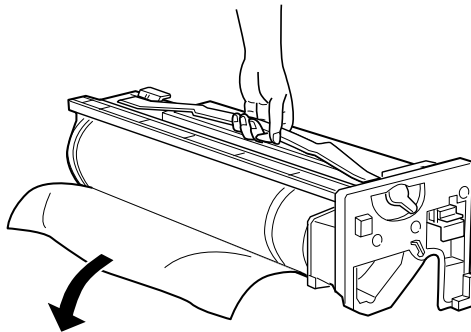
5. Pull the photoconductor unit about 20 cm out of the printer.



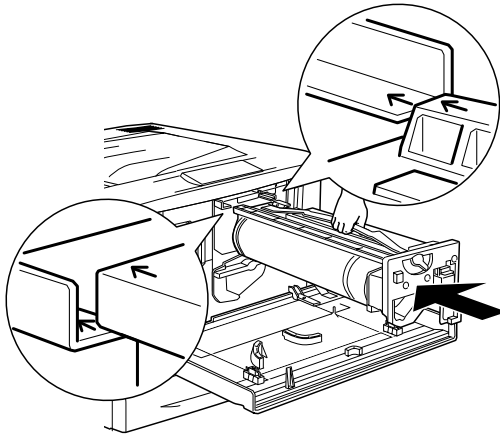
6. Hold the handle at the top of the photoconductor unit and gently pull it all the way out.



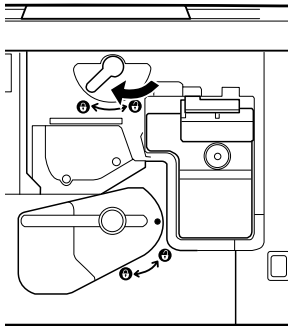
7. Take the new photoconductor unit out of its package and unwrap the protective sheet while holding the handle.



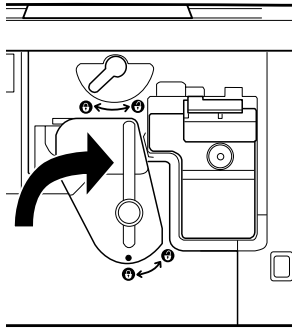
8. Insert the photoconductor unit as shown below.



9. Turn the small lever to the left.



10. Turn the large lever 90 degrees clockwise.



11. Close the front cover.

Waste Toner Collector

Prepare a new waste toner collector for replacement when you get a message informing you to do so. The waste toner collector is sold as part of the photoconductor unit because it usually needs replacement at the same time as the photoconductor unit. However, the waste toner collector is also sold individually as sometimes you may need to replace the waste toner collector separately depending on use.

Handling precautions

Always pay attention to the following handling precautions before replacing the waste toner collector.

- Do not reuse toner found in the waste toner collector.



Warning:

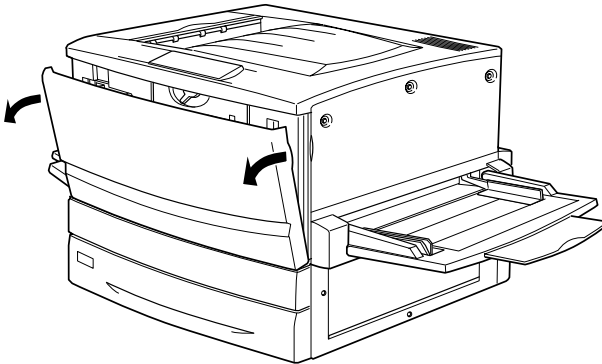
- ❑ *Do not burn used waste toner collectors, because they may explode and cause injury. Dispose of them according to local regulations.*

- ❑ *Keep the waste toner collector out of the reach of children.*

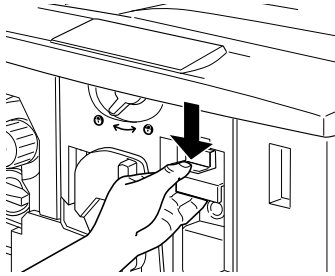
Replacing the waste toner collector

Follow these steps to replace the waste toner collector.

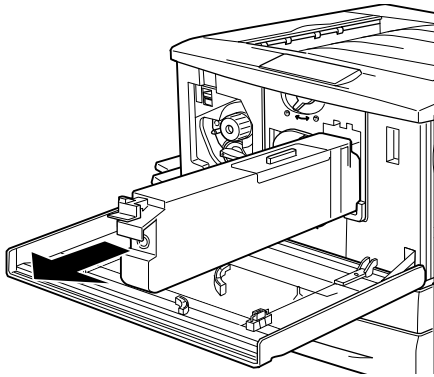
1. Turn off the printer.
2. Open the front cover.



3. Hold the handle of the waste toner collector and push the tab down to release the lock.

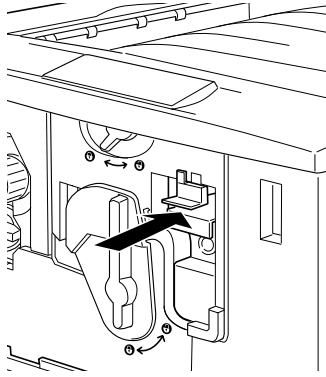


4. Pull out the waste toner collector.



5. Take the new waste toner collector out of its package.

6. Insert the new waste toner collector firmly into the slot until the tab clicks into place.

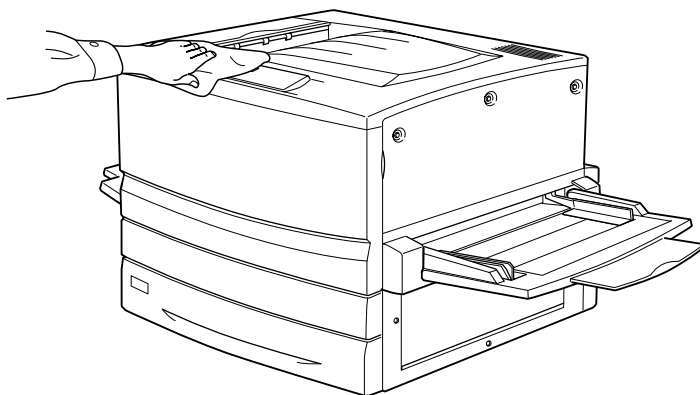


7. Close the front cover.

Cleaning and Transporting the Printer

Cleaning the Printer

The printer needs only minimal cleaning. If the printer's outer case is dirty or dusty, turn off the printer and clean it with a soft, clean cloth moistened with a mild detergent.



Caution:

Never use alcohol or paint thinner to clean the printer cover; these chemicals can damage the components and the case. Be careful not to get water onto the printer mechanism or any electrical components.

Transporting the Printer

For long distances

If you need to transport your printer for long distances, carefully repack it using the original box and packing materials.

Follow these steps to repack your printer.

1. Turn off the printer.
2. Unplug the power cord from the electrical outlet.
3. Remove all installed toner cartridges, the photoconductor unit, and waste toner collector. For information on removing these consumable products, see Chapter 5, “Replacing Consumable Products”. Then pack them in their original boxes with the protective materials they came in.
4. Remove all installed options. For information on removing options, see Chapter 4, “Using Options.”
5. Attach the protective materials onto the printer, then repack the printer in its original box.

For short distances

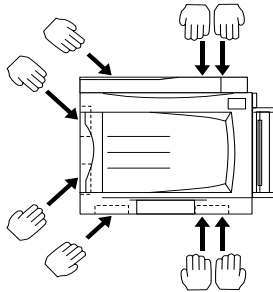
Always pay attention to the following handling precautions when you need to move the printer for a short distance:

- ❑ If you are moving the printer together with the optional 500-Sheet Paper Cassette Unit or the optional Large Capacity Paper Unit, you can move it by using the casters on the unit. See “Moving the printer together with an optional lower cassette installed” on page 273.
- ❑ If you are moving the printer on its own, four people should lift and carry the printer.

Moving the printer

Follow these steps to move the printer for a short distance.

1. Turn off the printer and remove the following items:
 - Power cord
 - Interface cable
 - Paper in the MP tray and the paper cassette
 - Face-up tray
2. Be sure to lift the printer by the correct positions as shown below.



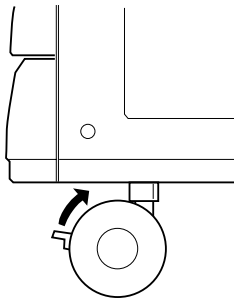
Caution:
Do not hold the printer by the MP tray.

3. When moving the printer, always keep it horizontal.

Moving the printer together with an optional lower cassette installed

Follow these steps to move the printer together with the optional 500-Sheet Paper Cassette Unit or the Large Capacity Paper Unit:

1. Turn off the printer and remove the following items.
 - Power cord
 - Interface cable
 - Paper in the MP tray and the paper cassette
 - Face-up tray
2. Unlock the four casters at the bottom of the optional paper unit.



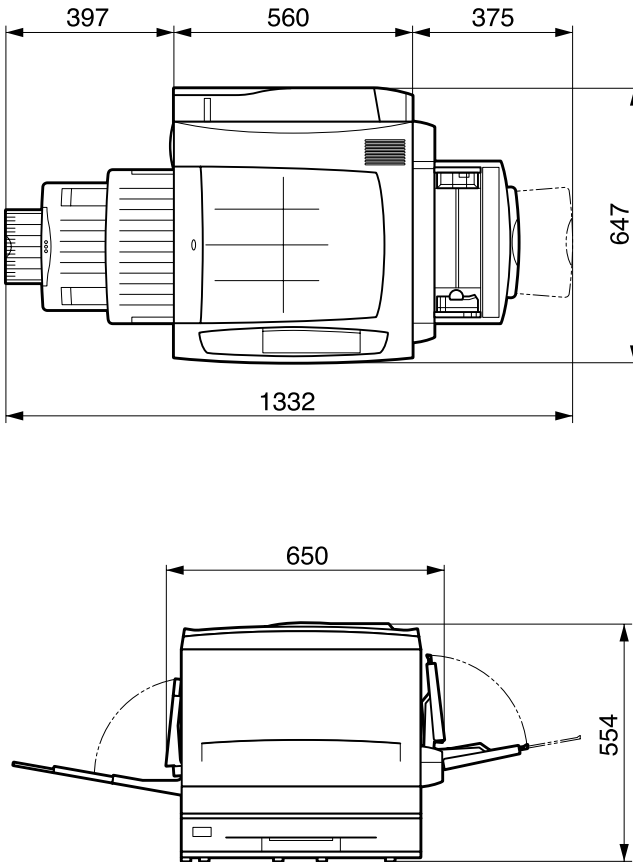
3. Slide the printer together with the optional unit.
4. Lock the casters after relocating the printer.



Caution:
Do not slide the printer on angled or uneven surfaces.

Finding a place for the printer

When relocating the printer, always choose a location that has adequate space for easy operation and maintenance. Use the following illustration as a guide for the amount of space required around the printer to ensure smooth operation.



To install and use any of the following options, you will need the indicated amount of additional space.

The 500-Sheet Paper Cassette Unit adds 176 mm (6.9 in.) to the bottom of the printer.

The Large Capacity Paper Unit adds 264 mm (10.4 in.) to the bottom of the printer.

The Duplex Unit adds 92 mm (3.6 in.) to the left side of the printer.

In addition to space consideration, always heed the following precautions when finding a place to locate the printer:

- ❑ Place the printer where you can easily unplug the power cord.
- ❑ Keep the entire computer and printer system away from potential sources of interference, such as loudspeakers or the base units of cordless telephones.
- ❑ Avoid using an electrical outlet that is controlled by wall switches or automatic timers. Accidental disruption of power can erase valuable information in your computer's and printer's memory.



Caution:

- ❑ *Leave adequate room around the printer to allow for sufficient ventilation.*
- ❑ *Avoid locations that are subject to direct sunlight, excessive heat, moisture, or dust.*
- ❑ *Avoid using outlets that other appliances are plugged into.*
- ❑ *Use a grounded outlet that matches the printer's power plug. Do not use an adapter plug.*
- ❑ *Only use an outlet that meets the power requirements for this printer.*

Clearing Jammed Paper

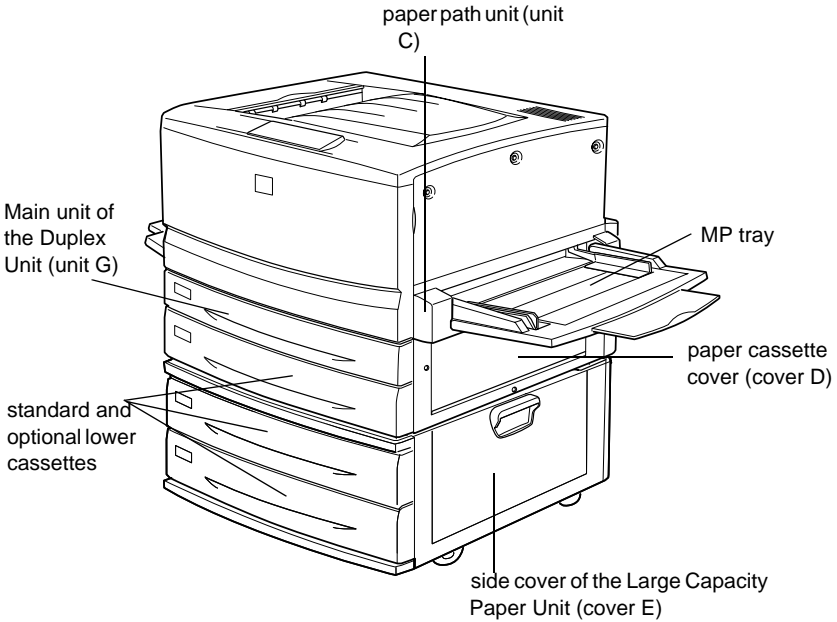
When paper is jammed in the printer, the printer's LCD panel and the EPSON Status Monitor 3 utility provide alert messages.

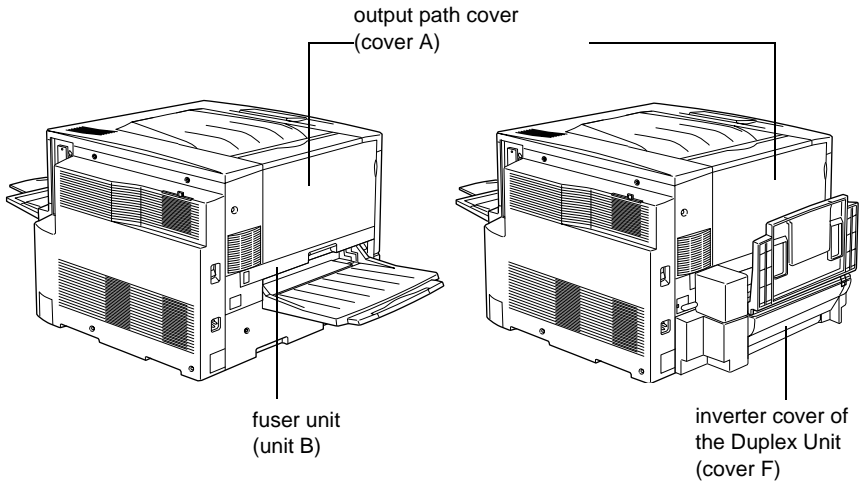
Error messages for paper jams

If the following message appears on the LCD panel, you must clear all jammed paper.

Jam xxxx

The location where the paper jam occurred is displayed at xxxx. xxxx indicates the location of the paper jam. Use the illustrations below as a guide for the printer parts indicated.





If a paper jam occurs at two or more locations simultaneously, the corresponding multiple locations are displayed.

Jam A	Paper is jammed inside the output path cover (cover A).
Jam B	Paper is jammed inside the fuser unit (unit B).
Jam C	Paper is jammed inside the paper path unit (unit C).
Jam D	<p>Paper is jammed inside the paper cassette cover on the right side of the printer (cover D).</p> <p>If you cannot find any jammed paper in this cover, check the optional Duplex Unit's inverter cover (cover F), then its main unit (unit G).</p>
Jam E	Paper is jammed at the side cover of the optional Large Capacity Paper Unit (cover E).
Jam F	<p>Paper is jammed at the optional Duplex Unit's inverter cover (cover F).</p> <p>If you cannot find any jammed paper in this cover, check the paper cassette cover (cover D), then optional Duplex Unit's main unit (unit G).</p>

Jam G	Paper is jammed inside the optional Duplex Unit's main unit (unit G). Be sure to check if the jammed paper is not in the paper cassette cover (cover D) or the Duplex Unit's inverter cover (cover F) before checking the main unit of the Duplex Unit.
-------	--

Precautions for clearing jammed paper

Be sure to observe the following points when you clear jammed paper:

- ❑ Do not remove jammed paper by force. Torn paper can be difficult to remove and might cause other paper jams. Pull it gently in order to avoid tearing.
- ❑ Always try to remove jammed paper with both hands to avoid tearing it.
- ❑ If jammed paper is torn and remains in the printer, or if paper is jammed in a place not mentioned in this chapter, contact your dealer.



Warning:

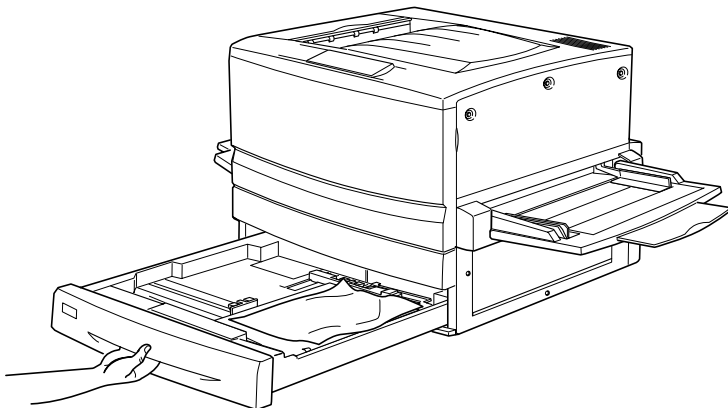
- ❑ *Be careful not to touch the fuser, which is marked **CAUTION! HIGH TEMPERATURE**, or the surrounding areas. If the printer has been in use, the fuser and the surrounding areas may be very hot.*
- ❑ *Do not insert your hand deep into the fuser unit (unit B) as some components are sharp and may cause injury.*

Paper Jam - the Lower Cassette

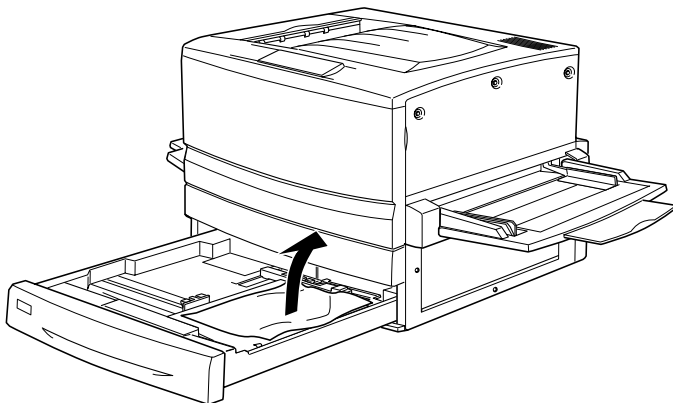
This section describes how to clear paper jams from the printer's standard and optional lower cassettes. The procedure is the same for all lower cassettes.

Follow these steps to clear paper jams in the lower cassettes. The illustrations show the standard lower cassette.

1. Pull the lower cassette out slowly until it stops. Be careful not to tear the jammed paper.



2. Remove any jammed or crumpled paper.



Note:

If paper is torn, be sure to remove all torn pieces.

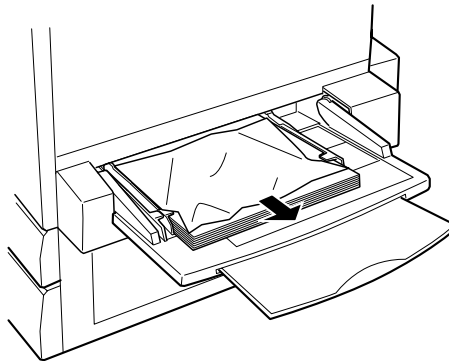
3. Remove the stack of paper from the cassette.
4. Tap the stack of paper on a flat surface to even out the edges, then reinsert it into the lower cassette. Be sure the paper is evenly aligned and the top of the stack is below the metal retaining clip and the maximum paper mark.
5. Push the lower cassette back into the printer.

When the paper jam is cleared completely and the lower cassette is pushed back into the printer, the jammed page's print data is automatically reprinted.

Paper Jam - MP tray

Follow these steps to clear paper jams at the MP tray.

1. Pull the jammed paper out gently.



Caution:

If the jammed paper is visible deep inside the MP tray, do not pull the paper. Pull out the paper path unit to remove the jammed paper.

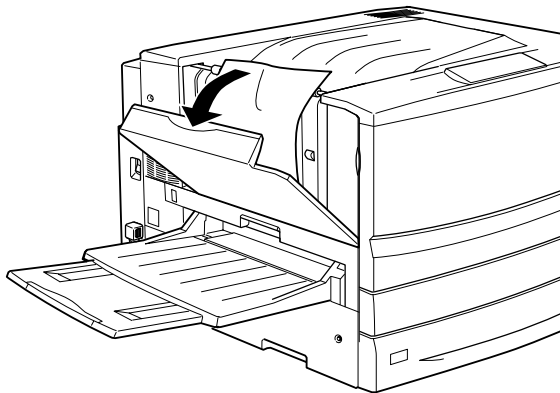
2. Remove and tap the remaining paper stack on a flat surface to even out the edges before reloading it into the MP tray.

Paper Jam - Cover A (Jam A)

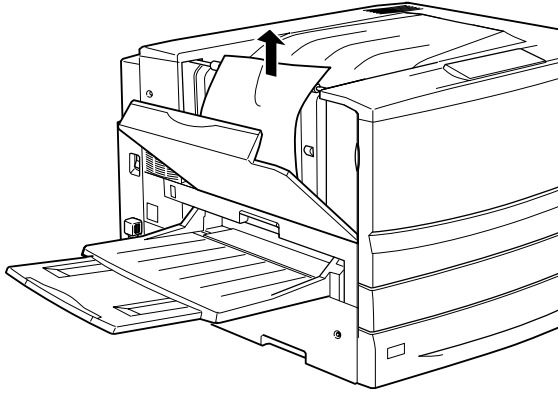
When paper is jammed at the output path cover, the LCD panel displays the **Jam A** error message.

Follow these steps to clear paper jams in the output path cover.

1. Open the output path cover on the left side of the printer.



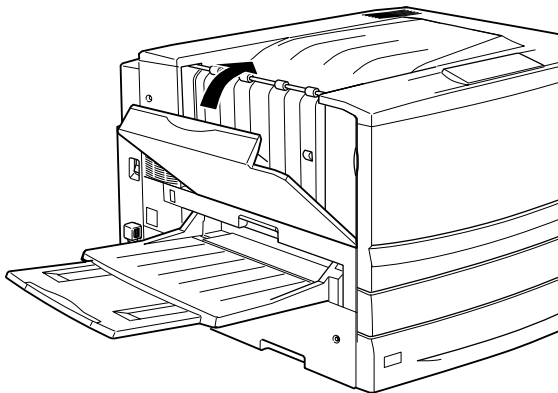
2. Remove any jammed paper gently with both hands. Be careful not to tear the jammed paper.



Note:

- ❑ Always try to remove jammed paper with both hands to avoid tearing it.
- ❑ If paper is torn, be sure to remove all torn pieces.

3. Close the output path cover.



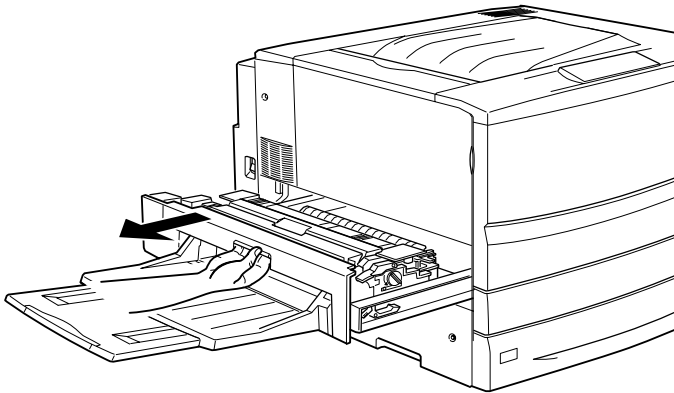
When the paper jam is cleared completely and the output path cover (cover A) is closed, the jammed page's print data is automatically reprinted.

Paper Jam - Cover B (Jam B)

When paper is jammed at the fuser unit, the LCD panel displays the Jam B error message.

Follow these steps to clear paper jams in the fuser unit.

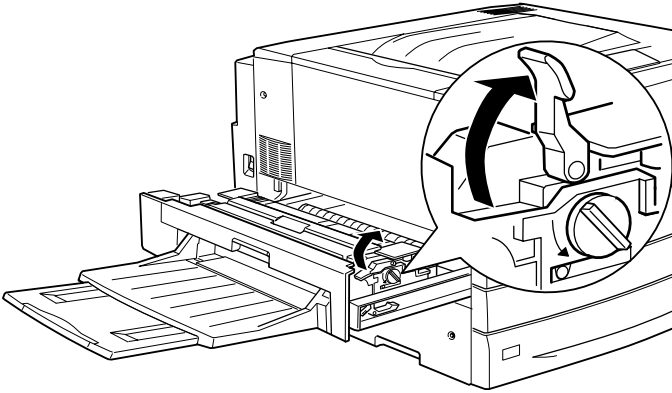
1. Pull the fuser unit out gently until it stops. Be careful not to tear the jammed paper.



Warning:

Do not insert your hand deep into the fuser unit (unit B) as some components are sharp and may cause injury.

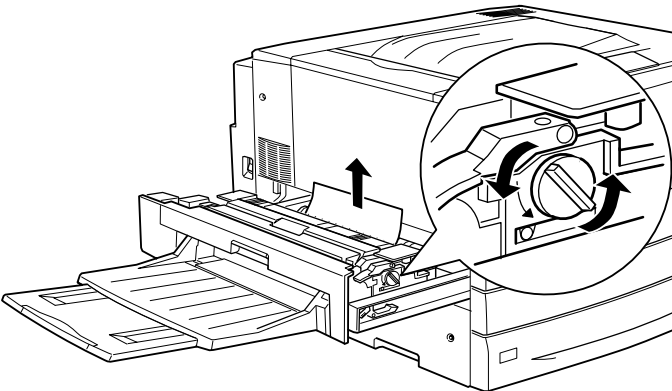
2. Pull the lever up to release the paper path.



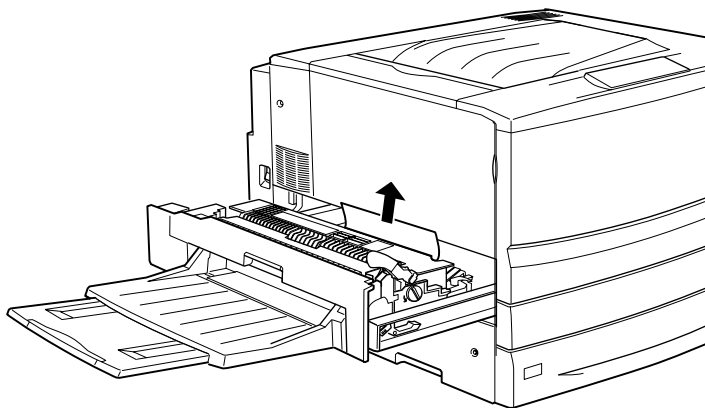
Warning:

*Do not touch the fuser, which is marked **CAUTION! HIGH TEMPERATURE**, or the surrounding areas. If the printer has been in use, the fuser and the surrounding areas may be very hot.*

3. Turn the knob in the fuser unit to eject the jammed paper.



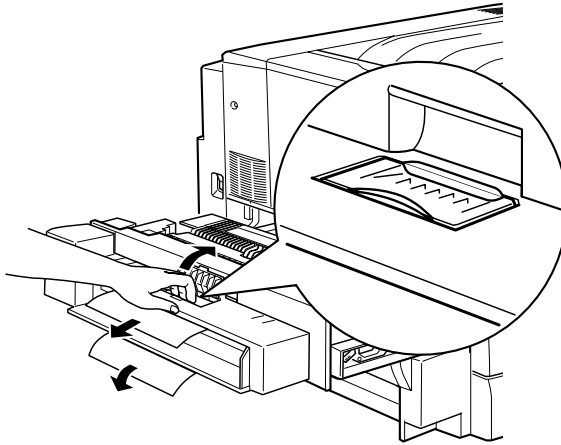
4. Gently remove the jammed paper with both hands. Be careful not to tear the jammed paper.



Note:

- ❑ Be sure to remove the jammed paper by pulling it upward.
- ❑ If paper is torn, be sure to remove all torn pieces.

If the Duplex Unit is attached, follow the next step. If you see the paper remaining but cannot remove it, open the cover and remove the paper as shown below.



5. Make sure that jammed paper is not remained inside the fuser unit.
6. Push the fuser unit back into the printer firmly.

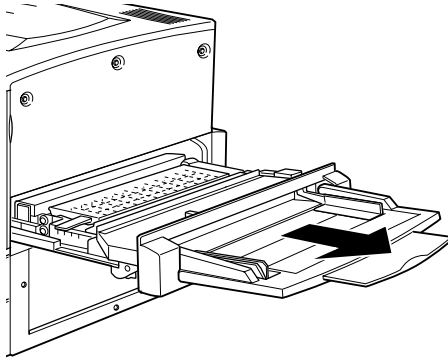
When the paper jam is cleared completely and the fuser unit (unit B) is pushed back into the printer, the jammed page's print data is automatically reprinted.

Paper Jam - Unit C (Jam C)

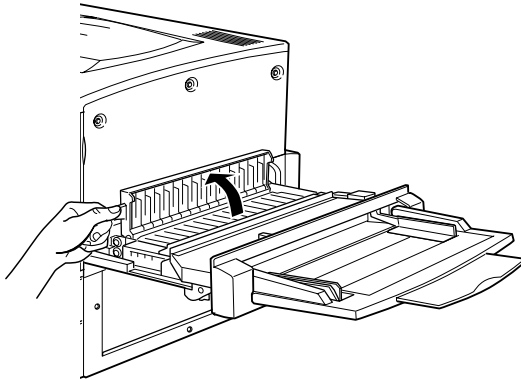
When paper is jammed at the paper path unit, the LCD panel displays the **Jam C** error message.

Follow these steps to clear paper jams in the paper path unit.

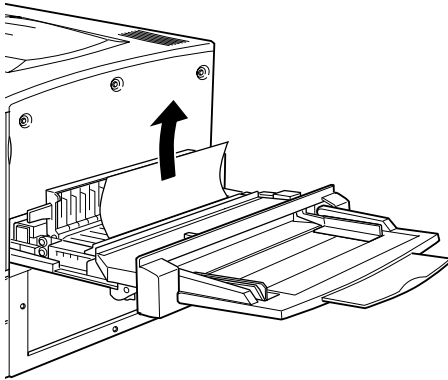
1. Pull the paper path unit out until it stops.



2. Lift the cover inside the paper path unit by its handle.



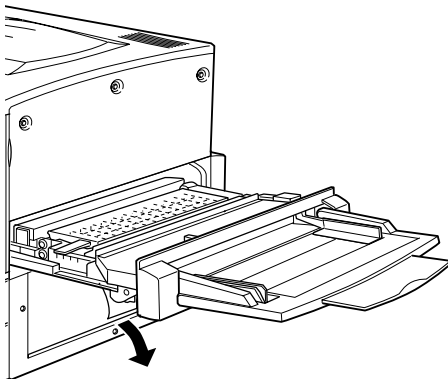
3. Gently remove the jammed paper with both hands.



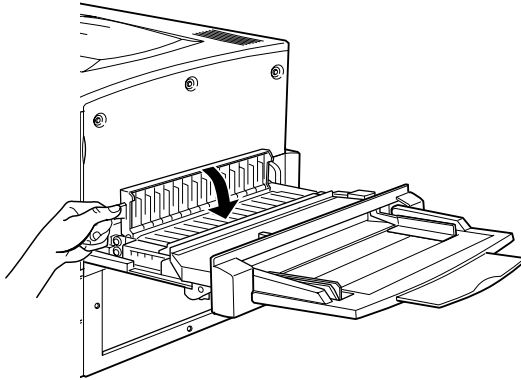
Note:

If paper is torn, be sure to remove all torn pieces.

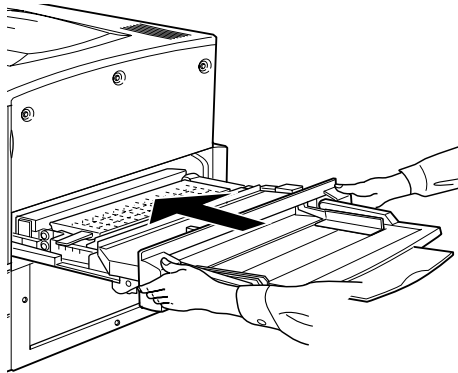
4. Check if jammed paper is left at the bottom of the paper path unit. If you find any jammed paper, gently remove it with both hands.



5. Lower the cover inside the paper path unit.



6. Push the paper path unit back into the printer firmly.



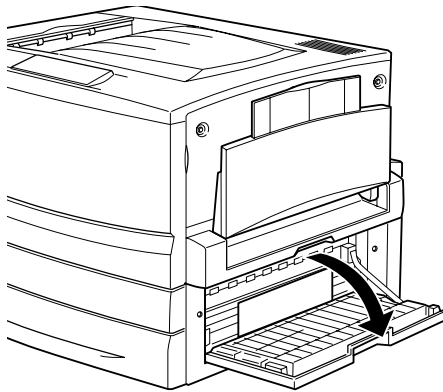
When the paper jam is cleared completely and the paper path unit (unit C) is pushed back into the printer, the jammed page's print data is automatically reprinted.

Paper Jam - Cover D (Jam D)

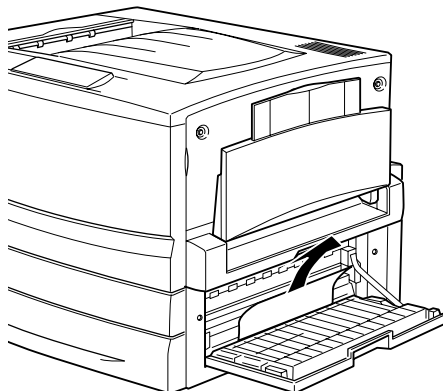
When paper is jammed at the paper cassette cover, the LCD panel displays the **Jam D** error message.

Follow these steps to clear paper jams in the paper cassette cover.

1. Open the paper cassette cover (cover D).



2. Gently remove the jammed paper with both hands. Be careful not to tear the jammed paper.



3. Close the paper cassette cover.

When the paper jam is cleared completely and the paper cassette cover (cover D) is closed, the jammed page's print data is automatically reprinted.

Note:

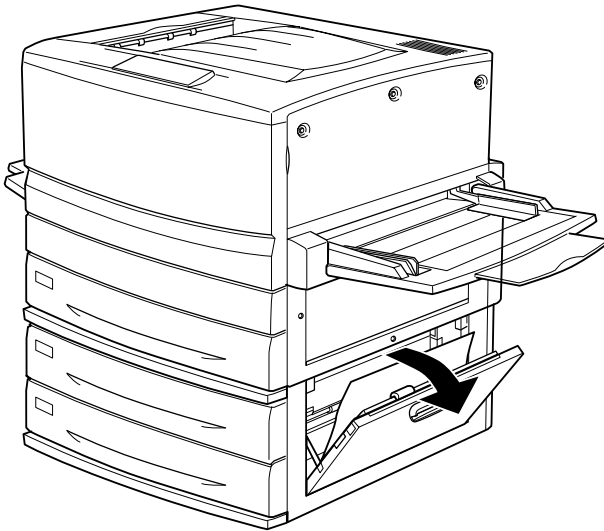
If you cannot find any jammed paper in this cover, check the optional Duplex Unit's inverter cover (cover F), then its main unit (unit G).

Paper Jam - Cover E (Jam E)

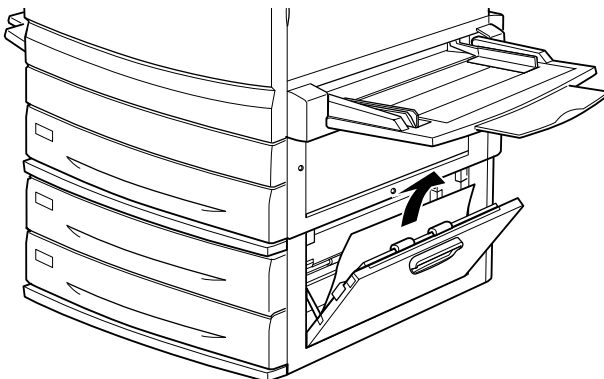
When paper is jammed at the side cover of the optional Large Capacity Paper Unit, the LCD panel displays the Jam E error message.

Follow these steps to clear paper jams in the optional Large Capacity Paper Unit.

1. Open the cover (cover E) on the right side of the optional Large Capacity Paper Unit.



2. Gently remove the jammed paper with both hands. Be careful not to tear the jammed paper.



3. Close the cover.

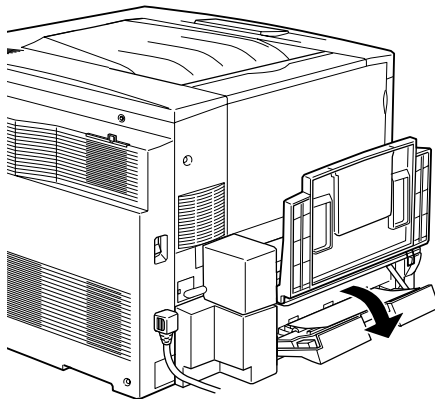
When the paper jam is cleared completely and the cover on the right side of the Large Capacity Paper Unit (cover E) is pushed back into the printer, the jammed page's print data is automatically reprinted.

Paper Jam - Cover F (Jam F)

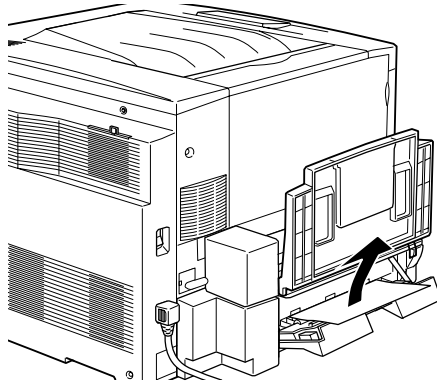
When paper is jammed at the optional Duplex Unit's inverter cover, the LCD panel displays the **Jam F** error message.

Follow these steps to clear paper jams in the Duplex Unit's inverter cover.

1. Open the Duplex Unit's inverter cover (cover F) on the left side of the printer.



2. Gently remove the jammed paper inside the inverter cover.



Note:

If paper is torn, be sure to remove all torn pieces.

3. Close the inverter cover.

When the paper jam is cleared completely and the Duplex Unit's inverter cover (cover F) is closed, the jammed page's print data is automatically reprinted.

Note:

If you cannot find any jammed paper in this cover, check the paper cassette cover (cover D), then the optional Duplex Unit's main unit (unit G).

Paper Jam - Unit G (Jam G)

When paper is jammed at the optional Duplex Unit's main unit, the LCD panel displays the Jam G error message.

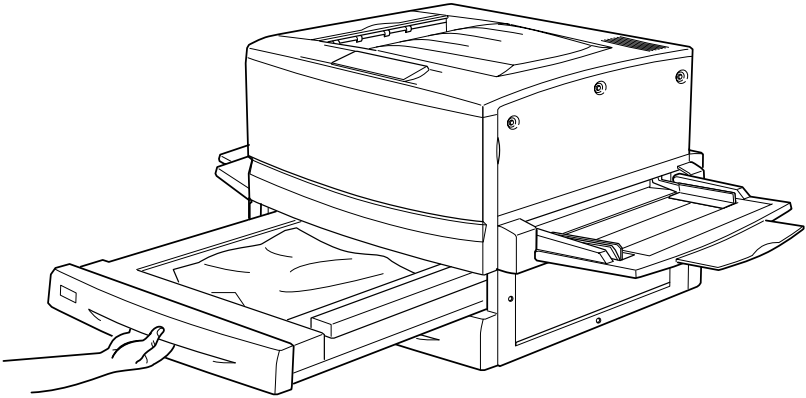
Follow these steps to clear paper jams in the optional Duplex Unit's main unit.



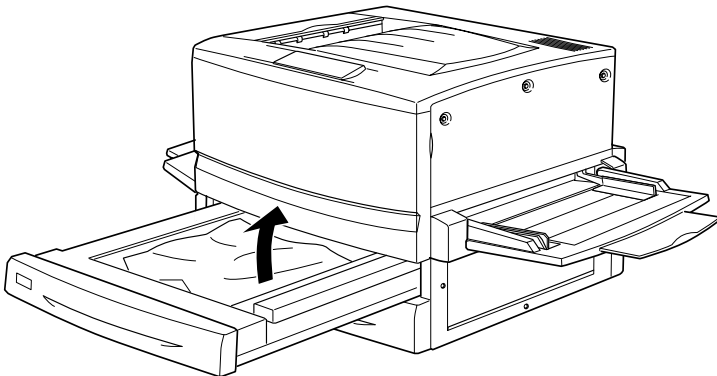
Caution:

Be sure to pull out the Duplex Unit's main unit after checking if the jammed paper is in the paper cassette cover (cover D) or the Duplex Unit's inverter cover (cover F). If you pull out the main unit first, the paper jam may occur.

1. Pull the main unit of the optional Duplex Unit out until it stops.



2. Gently remove the jammed paper with both hands. Be careful not to tear the jammed paper.



Note:

If paper is torn, be sure to remove all torn pieces.

3. Push the main unit of the Duplex Unit's main unit back into the printer.

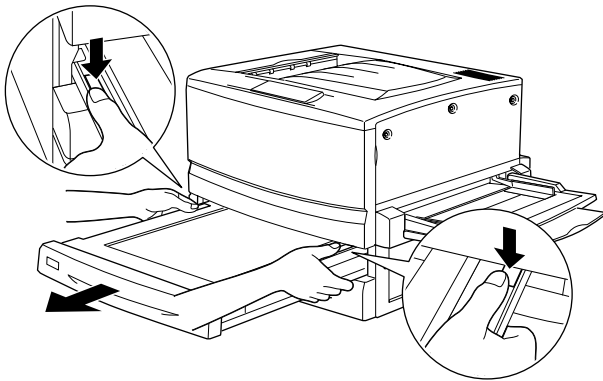
When the paper jam is cleared completely and the Duplex Unit's main unit (unit G) is pushed back into the printer, the jammed page's print data is automatically reprinted.

Removing the main unit

If you cannot remove the jammed paper using the previous procedures, remove the Duplex Unit's main unit.

Follow the instruction below to remove the Duplex Unit's main unit.

Push the main unit slightly backward, then remove the main unit by pulling it toward you while pushing down both levers.



Operational problems

The Ready light does not turn on when you turn the printer on.

Cause	What to do
The power cord may not be properly plugged into the electrical outlet.	Turn off the printer and check the power cord connections between the printer and the electrical outlet. Then turn the printer back on.
The electrical outlet may be controlled by an outside switch or an automatic timer.	Make sure that the switch is turned on or plug another electrical device into the outlet to check whether the outlet is operating properly.

The printer does not print and the Ready light is off

Cause	What to do
The printer is offline.	Press the Start/Stop button once to switch the printer to ready status.

The Ready light is on but nothing prints

Cause	What to do
--------------	-------------------

Your computer may not be properly connected to the printer.	Perform the procedure described in “Connecting to the Computer” in the <i>Setup Guide</i> .
The interface cable may not be plugged in securely.	Check both ends of the interface cable between the printer and the computer. If you are using the parallel interface, be sure to secure the connector using the wire retaining clips.
You may not be using the correct interface cable.	If you are using the parallel interface, make sure that the cable is a double-shielded, twisted-pair interface cable no more than six feet in length. If you are using the USB interface, use a Revision 1.1 compliant cable.
Some error may have occurred.	Check the LCD panel to see if an error message appears.
Your application software is not properly set up for your printer.	Make sure that the printer is selected in your application software.
Your computer system’s memory is too small to handle the volume of data in your document.	Try reducing the image resolution of your document in the application software, or install more memory in your computer if you can.

Printout problems

The font selected in the application software will not print

Cause	What to do
You may use the printer fonts substituted for specified TrueType fonts.	In the printer driver, choose the Print TrueType fonts as bitmap radio button in the Extended Settings dialog box.
The selected font is not supported by your printer.	Make sure that you have installed the correct font. See “Available Fonts” on page 363 for more information.

Some or all of the printout is garbled

Cause	What to do
The interface cable may not be plugged in securely.	Make sure that both ends of the interface cable are plugged in securely.
You may not be using the correct interface cable.	If you are using the parallel interface, make sure that the cable is a double-shielded, twisted-pair interface cable no more than six feet in length. If you are using the USB interface, use a Revision 1.1 compliant cable.
The emulation setting for the port may not be correct.	Specify the emulation mode by using the printer’s control panel menus. See “Emulation Menu” on page 179.

Note:

If a status sheet does not print correctly, your printer may be damaged. Contact your dealer or a qualified service representative.

The position of the printout is not correct

Cause	What to do
The page length and margins are set incorrectly in your application.	Make sure that you are using the correct page length and margin settings in your application.

Graphics don't print correctly

Cause	What to do
The printer emulation setting in your application may be incorrect.	Make sure that your application is set for the printer emulation you are using. For example, if you are using the LJ4 emulation mode, make sure that your application is set to use a LaserJet 4 printer.
You may need more memory.	Graphics require large amounts of memory. Install an appropriate memory module. See "Installing a memory module" on page 236.

The printed surface is rough when duplex printing on coated paper

Cause	What to do
Duplex printing on damp coated paper may produce a rough printed surface.	Use coated paper that is newly unwrapped. Always store coated paper in a dry environment.

Color Printing Problems

Cannot print in color

Cause	What to do
Black is selected as the Color setting in the printer driver.	Change this setting to Color.
The color setting in the application you are using is not appropriate for color printing.	Make sure that the settings in your application are appropriate for color printing.

The printout color differs when printed from different printers

Cause	What to do
Printer driver default settings and color tables vary by printer model.	Set the Gamma setting to 1.5 in the More Settings dialog box in the printer driver, then print again. If you still do not get the printouts you expect, adjust the color using the slide bar for each color. For details, see “Customizing print settings” on page 56 for Windows, or see “Customizing print settings” on page 133 for Macintosh.

The color looks different from what you see on the computer screen

Cause	What to do
Printed colors do not exactly match the colors on your monitor, since printers and monitors use different color systems: monitors use RGB (red, green, and blue), while printers typically use CMYK (cyan, magenta, yellow, and black).	Although it is difficult to match colors perfectly, selecting the printer driver's ICM setting (for Windows XP, Me, 98, 95, or 2000) or ColorSync setting (for Macintosh) can improve color matching between different devices. For details, see "Using the predefined settings" on page 53 for Windows, and "Using the predefined settings" on page 131 for Macintosh.
For Macintosh, the System Profile setting is not in use.	To apply ColorSync properly, your input device and the application must support ColorSync, and a System Profile must be used for your monitor.
PhotoEnhance4 may be selected in the printer driver.	The PhotoEnhance4 feature corrects the contrast and brightness of the original image data for printing images more vivid. Deselect the PhotoEnhance4 feature if necessary.

Print quality problems

The background is dark or dirty

Cause	What to do
There may be a problem with the photoconductor unit.	Replace the photoconductor unit. See "Photoconductor Unit" on page 262.

You may not be using the correct type of paper for your printer.

If the surface of your paper is too rough, printed characters may appear distorted or broken. EPSON special paper, or smooth, high-quality copier paper is recommended for best results. See “Available Fonts” on page 363 for information on choosing paper.

Black or white bands appear in the printout

Cause	What to do
There may be a problem with the photoconductor unit.	Replace the photoconductor unit. See “Photoconductor Unit” on page 262.

White dots appear in the printout where the toner density is high

Cause	What to do
Duplex printing on damp coated or thick paper may produce printouts with white dots where the toner density is high on the back of the paper.	Do not select Thick (Back) or Coated (Back) as the Paper Type setting in the printer driver. Choose Thick or Coated instead. Do not store coated paper in a humid or damp environment. Be sure to use paper that is newly unwrapped.

Print quality is uneven on the page

Cause	What to do
Your paper may be moist or damp.	Do not store paper in a humid or damp environment.
There may be a problem with the photoconductor unit.	Replace the photoconductor unit. See “Replacing the photoconductor unit” on page 263.

Print quality is uneven on thick or coated paper

Cause	What to do
Your paper may be too dry.	Select Thick (Back) or Coated (Back) as the Paper Type setting in the printer driver. Do not store paper in an excessively dry environment.

Half-tone images print unevenly

Cause	What to do
Your paper may be moist or damp.	Do not store paper in a humid or damp environment. Be sure to use paper that is newly unwrapped.
There may be no toner left in the toner cartridge.	If the message on the LCD panel or in the EPSON Status Monitor 3 utility indicates that the amount of toner is low, see "Replacing a toner cartridge" on page 258.
There may be a problem with the photoconductor unit.	Replace the photoconductor unit. See "Replacing the photoconductor unit" on page 263.

Toner smudges

Cause	What to do
Your paper may be moist or damp.	Do not store your paper in a humid or damp environment.

You may not be using the correct type of paper for your printer.

EPSON special paper or smooth, high-quality copier paper is recommended for best results. See “Available Paper” on page 21 for information on choosing paper.

There may be a problem with the photoconductor unit.

Replace the photoconductor unit. See “Replacing the photoconductor unit” on page 263.


Areas are missing in the printed image

Cause	What to do
Your paper may be moist or damp.	This printer is sensitive to moisture absorbed by the paper. The higher the moisture content in the paper, the lighter the printout. Do not store paper in a humid or damp environment.
You may not be using the correct type of paper for your printer.	If the surface of your paper is too rough, printed characters may appear distorted or broken. EPSON special paper or smooth, high-quality copier paper is recommended for best results. See "Available Paper" on page 21 for information on choosing paper.

Completely blank pages are output

Cause	What to do
The printer may have loaded more than one sheet at a time.	Remove the paper stack and fan it. Tap it on a flat surface to even the edges. Then reload the paper.
There may be no toner left in the toner cartridge.	If the message on the LCD panel or in the EPSON Status Monitor 3 utility indicates that the amount of toner is low, see "Replacing a toner cartridge" on page 258.
There may be a problem with the photoconductor unit.	Replace the photoconductor unit. See "Replacing the photoconductor unit" on page 263.

The problem may be with your application or interface cable.

Print out a status sheet by pressing the  Enter button on the control panel three times. If a blank page is ejected, the problem may be with the printer. Turn off the printer and contact your dealer.

The printed image is light or faint

Cause	What to do
Your paper may be moist or damp.	Do not store your paper in a humid or damp environment.
The Toner Save mode may be on.	Turn off the Toner Save mode using the printer driver or the printer's control panel menus.
There may be a problem with the photoconductor unit.	Replace the photoconductor unit. See "Replacing the photoconductor unit" on page 263.

The non-printed side of the page is dirty

Cause	What to do
Toner may have spilled onto the paper feed path.	Clean internal printer components by printing three pages with only one character per page.

Memory Problems

The message `Collate was disabled` appears on the LCD panel

Cause	What to do
--------------	-------------------

The printer has insufficient memory to collate the print job. Only one copy was printed.

Increase printer memory. See “Memory Module” on page 235 for details.

The message Duplex Mem Overflow appears on the LCD panel

Cause	What to do
There is not enough memory for duplex printing. The printer prints only on the top side and ejects the paper.	If Auto Cont is set to Off in the Setup Menu, press the Start/Stop button. If Auto Cont is set to On in the Setup Menu, the error is automatically corrected after a certain period of time.

The message Image Optimum appears on the LCD panel

Cause	What to do
The printer has insufficient memory to print the page at the specified print quality.	The printer automatically reduces the print quality so that it can continue printing. If the quality of the printout is not acceptable, try simplifying the page by limiting the number of graphics or reducing the number and size of fonts. Lower the resolution setting to 300 dpi.

The message Mem Overflow appears on the LCD panel

Cause	What to do
The printer has insufficient memory to execute the current task.	To correct the error, press the Start/Stop button on the control panel.

The message `Need Memory` appears on the LCD panel

Cause	What to do
The printer has insufficient memory available for the current task.	To correct the error, press the Start/Stop button on the control panel.
You may need to increase the amount of printer memory.	For more information on adding memory, see “Memory module” on page 351.

The message `Print Overrun` appears on the LCD panel

Cause	What to do
The required time to process the print data exceeds the print engine speed because the current page is too complex.	To correct the error, press the Start/Stop button to resume printing. If this message appears again, turn on <code>Page Protect</code> in the Setup Menu. If you continue to receive this message when printing a particular page, try simplifying the page by limiting the number of graphics or reducing the number and size of fonts.
You may need to increase the amount of printer memory to avoid getting this error repeatedly.	For more information on adding memory, see “Memory module” on page 351.

Paper handling problems

Paper does not feed from the proper paper source

Cause	What to do
The paper source setting may not be correct.	Make sure that you have selected the correct paper source in your application.
There may be no paper in the cassette or MP tray.	Load paper.
Too many sheets may be loaded in a cassette or MP tray.	Make sure that you have not tried to load too many sheets of paper. For the maximum paper capacity for each paper source, see "MP tray" on page 26.
If paper does not feed from the optional Large Capacity Paper Unit, the unit may not be installed properly.	For instructions on installing the unit, see "Installing the Large Capacity Paper Unit" on page 212.


Status and Error Messages

This section contains a list of error messages shown on the LCD panel, giving a brief description of each message and suggestions for correcting the problem. Note that not every message shown on the LCD panel indicates a problem.

Calibrating Printer

The printer automatically calibrates itself when any of its covers is opened and when there is no paper jammed inside. This is not an error message, and will clear itself after one minute. While the printer displays this message, do not open the covers or turn off the printer.


Cancel All Print Job

The printer is canceling all print jobs in the printer memory, including jobs the printer is currently receiving or printing. This message appears when the  Job Cancel button has been pressed down for more than 2 seconds.

Cancel Print Job

The printer is canceling the current print job. This message appears when the  Job Cancel button has been pressed and released within 2 seconds.

Can't Print Duplex

The printer has encountered problems during duplex printing. Make sure you are using an appropriate type and size of paper for the Duplex Unit. The problem could also be a result of incorrect settings for the paper source you are using. Pressing the Start/Stop button will print the rest of the print job on only one side of the paper. Press the  Job Cancel button to cancel the print job.

Check Paper Size

The paper size setting is different from the size of paper loaded in the printer. Check to see if the correct size of paper is loaded in the specified paper source.

To clear this error, select `Clear Warnings` from the control panel's Reset Menu. See "How to access the control panel menus" on page 167 for instructions.

Check Paper Type

The media loaded in the printer does not match the paper type setting in the printer driver. Media that matches only the paper size setting will be used for printing.

To clear this error, select **Clear Warnings** from the control panel's Reset Menu. See "How to access the control panel menus" on page 167 for instructions.

Check Transparency

You have loaded media other than transparencies when the Paper Type setting in the printer driver is **Transparency**. The printer stops loading to prevent printer damage. Load transparencies in the specified paper source, then press the Start/Stop button.

Collate was disabled

Printing by specifying the number of copies is no longer possible due to a lack of memory (RAM) or free disk space on the optional Hard Disk Drive. If this error occurs, print only one copy at a time.

To clear this error, select **Clear Warnings** from the control panel's Reset Menu. See "How to access the control panel menus" on page 167 for instructions.

Cover A Open

Cover A, the output path cover on the left side of the printer, is open. Close the cover and the error is automatically cleared.

Cover D Open

Cover D, the paper cassette cover on the right side of the printer, is open. Close the cover and the error is automatically cleared.

Cover E Open


Cover E, the cover on the right side of the optional Large Capacity Paper Unit, is open. Close the cover and the error is automatically cleared.

Cover F Open

Cover F, the optional Duplex Unit's inverter cover on the left side of the printer, is open. Close the cover and the error is automatically cleared.

Duplex Mem Overflow

There is not enough memory for duplex printing. The printer prints only on the front and ejects the paper. To clear this error, follow the instructions below.

If **Off** is selected as the Auto Cont setting on the control panel's Setup Menu, press the Start/Stop button to print on the back of the next sheet, or press the  Job Cancel button to cancel the print job.

If **On** is selected as the Auto Cont setting on the control panel's Setup Menu, printing continues automatically after a certain period of time.

Format Error ROM A/Format Error Rom B

An unformatted ROM module has been inserted. If the ROM module has been formatted, but is still unreadable, format it again. If the ROM is still unreadable after reformatting, take the module to your dealer for repair or replacement.

To clear this error, either press the Start/Stop button or turn off the printer and remove the ROM module.

Form Data Canceled

Unable to store form overlay data on the printer's Hard Disk Drive. Either the drive is full, or the maximum number of form overlay files has been reached. Delete any form overlay files you no longer need, then try storing the new overlay again.

To clear this error, select **Clear Warnings** from the control panel's Reset Menu. See "How to access the control panel menus" on page 167 for instructions.

Form Feed

The printer is ejecting paper due to a printing error. This message appears when the Start/Stop button has been held down for more than 2 seconds in order to recover from a printing error.

Front Cover Open

The front cover is open. Close the cover and the error is automatically cleared.

Hard Disk Full

The printer has insufficient memory. Delete the unnecessary data from the Hard Disk Drive. To clear this error, select **Clear Warnings** from the control panel's Reset Menu. See "How to access the control panel menus" on page 167 for instructions.

HDD Check

The printer is checking the Hard Disk Drive.

*HDD Format ***%*

The printer is formatting the optional Hard Disk Drive. *** indicates the formatting progress.

Image Optimum

There is insufficient memory to print the page at the specified print quality. The printer automatically lowers the print quality so that it can continue printing. If the quality of the printout is not acceptable, try simplifying the page by limiting the number of graphics or reducing the number and size of fonts.

To clear this error, select **Clear Warnings** from the control panel's Reset Menu. See "How to access the control panel menus" on page 167 for instructions.

Turn the **Image Optimum** setting off on the control panel's Printing Menu if you do not want the printer to automatically lower the print quality to continue printing.

You may need to increase the amount of printer memory to be able to print at the desired print quality for your document. For more information on adding memory, see "Memory module" on page 351.

Install Photoconductor

There is no photoconductor unit installed or the photoconductor unit is not installed properly. Turn off the printer and install the photoconductor unit if it is not installed.

If a photoconductor unit is already installed, turn off the printer, open cover A, then open cover D. Remove the photoconductor unit, then reinstall it properly. Close covers D and A. The error clears automatically if the photoconductor unit is properly installed.

Install Waste T Box

The waste toner collector is not installed, or is installed incorrectly. If there is no waste toner collector installed, install one in the printer. If there is a waste toner collector already installed, try removing it and reinstalling it. See "Replacing the waste toner collector" on page 268 for instructions.

Invalid AUX I/F Card

This message means that the printer cannot communicate with the installed optional interface card. Turn off the printer, remove the card, then reinstall it.

Invalid HDD

Either the optional Hard Disk Drive is damaged or it cannot be used with this printer. Turn off the printer and remove the Hard Disk Drive.

Invalid IPDS

Turn off the printer and replace the IPDS module.

Invalid PS3

An optional PostScript 3 ROM module that cannot be used on this printer is installed. Turn off the printer and remove the module.

Invalid ROM A/Invalid ROM B

The printer cannot read the installed optional ROM module. Turn off the printer and remove the ROM module.

To clear this error, select `Clear Warnings` from the control panel's Reset Menu. See "How to access the control panel menus" on page 167 for instructions.

Irregular Density

If you try to print on media of overly high density, the printer stops loading the media to prevent printer damage. In this case, you need to clear any jammed media from the MP tray or the paper path unit.

Jam XX

The location where the paper jam occurred is displayed at **XXXX**. **XXXX** indicates the location of the error.

If a paper jam occurs at two or more locations simultaneously, the corresponding multiple locations are displayed.

Jam A	Paper is jammed inside the output path cover (cover A). For instructions on how to remove jammed paper at the output path cover, see "Paper Jam - Cover A (Jam A)" on page 283.
Jam B	Paper is jammed inside the fuser unit (unit B). For instructions on how to remove jammed paper at the fuser unit, see "Paper Jam - Cover B (Jam B)" on page 285.
Jam C	Paper is jammed inside the paper path unit (unit C). For instructions on how to remove jammed paper at the paper path unit, see "Paper Jam - Unit C (Jam C)" on page 288.
Jam D	Paper is jammed inside the paper cassette cover (cover D). For instructions on how to remove jammed paper at the paper cassette cover, see "Paper Jam - Cover D (Jam D)" on page 292.
Jam E	Paper is jammed inside the cover on the right side of the optional Large Capacity Paper Unit (cover E). For instructions on how to remove jammed paper at the right side of the Large Capacity Paper Unit, see "Paper Jam - Cover E (Jam E)" on page 293.
Jam F	Paper is jammed inside the optional Duplex Unit's inverter cover (cover F). For instructions on how to remove jammed paper at the Duplex Unit's inverter cover, see "Paper Jam - Cover F (Jam F)" on page 295.
Jam G	Paper is jammed inside the optional Duplex Unit's main unit (unit G). For instructions on how to remove jammed paper at the Duplex Unit's main unit, see "Paper Jam - Unit G (Jam G)" on page 296.


Manual Feed xxx

The manual feed mode is specified for the current print job. Make sure the paper size indicated by xxx is loaded, then press the Start/Stop button.

If you do not want to print this job in manual mode, press the Start/Stop button. The printer feeds paper from the specified paper source.

For details on the manual feed mode, see “Manually feeding paper”.


Mem Overflow

The printer has insufficient memory to execute the current task. Press the Start/Stop button on the control panel to resume printing. Or press the  Job Cancel button to cancel the print job.

Menus Locked

This message appears if you try to change the printer’s settings through the control panel when the buttons are locked. You can unlock them by using the EPSON WinAssist or WebAssist utility. Refer to the *Administrator’s Guide* for information.

Need Memory

The printer has insufficient memory to complete the current print job. Cancel printing by deleting it from the print queue on your computer, or by pressing the  Job Cancel button on the printer.

To clear this error message, select `Clear Warning` from the control panel’s Reset Menu. See “How to access the control panel menus” on page 167 for instructions.

To prevent this problem from happening again, add more memory to your printer as described in “Memory module” on page 351.

Offline

The printer is not ready to print. Press the Start/Stop button.

Optional RAM Error

The optional memory module may be corrupted or incorrect. Replace it with a new one.


Outbin Select Error

Printouts are not output to the specified output tray, but to another tray due to a printing restriction.

Paper Out XXX YYY

There is no paper in the specified paper source (XXX). Load paper of the indicated size (YYY) into the paper source.

Paper Set XXX YYY



The paper loaded in the specified paper source (XXX) does not match the required paper size (YYY). Replace the loaded paper with the correct size paper and press the Start/Stop button to resume printing. Or press the  Job Cancel button to cancel the print job.

If you press the Start/Stop button without replacing the paper, the printer will print on the loaded paper even though it does not match the required size.

Photoconduotr Trouble

The installed photoconductor unit has a problem. Turn off the printer, remove the photoconductor unit and install a new photoconductor unit. See “Replacing the photoconductor unit” on page 263.

Print Overrun

The required time to process the print data exceeded the print engine speed because the current page is too complex. Press the Start/Stop button to resume printing. Or press the  Job Cancel button to cancel the print job. If this message appears again, select  as the Page Protect setting in the control panel's Setup Menu.

If you continue to receive this message when printing a particular page, try simplifying the page by limiting the number of graphics or reducing the number and size of fonts.

You can also add more memory to the printer as described in "Memory module" on page 351.

PS3 Hard Disk full

The memory allocated for writing PostScript 3 commands on the optional Hard Disk Drive is full.

To clear this error, select **Clear Warnings** from the control panel's Reset Menu. See "How to access the control panel menus" on page 167 for instructions.

RAM Check

The printer is checking the RAM.

Ready

The printer is ready to receive data and print.

Replace Photoconductor

The photoconductor unit has reached the end of its service life. Turn off the printer, then replace the photoconductor unit with a new one. See "Photoconductor Unit" on page 262 for instructions.

The error clears automatically after you replace the unit and close all printer covers. The photoconductor service life counter is reset automatically.

Replace Waste T Box

The waste toner collector is full of toner. Replace it with a new waste toner collector. See “Replacing the waste toner collector” on page 268.

The error clears itself after you have replaced the waste toner collector and close the front cover.

Reserve Job Canceled

The printer cannot store the data of your print job using the Reserve Job function. The maximum number of print jobs stored in the printer's Hard Disk Drive has been reached, or the drive has no more memory available to store a new job. To store a new print job, delete a previously stored job. Also, if you have any Confidential Jobs stored, printing those jobs will make more memory available.

To clear this error, select `Clear Warning` from the control panel's Reset Menu. See “How to access the control panel menus” on page 167 for instructions.

Reset

The printer's current interface has been reset and the buffer has been cleared. However, other interfaces are still active and retain their settings and data.

Reset All

All printer settings have been reset to the default configuration, or to the last settings that were saved.

Reset to Save

A control panel menu setting was changed while the printer was printing. Press the Start/Stop button to clear this message. The setting will become effective after printing has finished.

ROM Check

The printer is checking the ROM.

Self Test

The printer is performing a quick internal check.

Service Req xyyy

A controller error or a print engine error has been detected. Turn off the printer. Wait at least 5 seconds and then turn it back on. If the error message still appears, write down the error number listed on the LCD panel (xyyy) and turn off the printer, unplug the power cord, and contact a qualified service representative.

Standby

The printer is in stand-by mode.

Time exceeded


Paper was forcibly output (blank sheet printing) as the print data did not arrive in time even though paper was pre-fed.

Toner Cart Out

One or more toner cartridges are not installed in the printer.

Install the cartridges. See "Toner Cartridge" on page 257.

Turn Paper XXX

Paper is loaded in the wrong orientation in the  cassette. Remove the paper stack from the standard lower cassette, turn it by 90 degrees, and reload it with the long edge first.

Unable Clear Error

The printer cannot clear an error message because the error status still remains. Try solving the problem again.

Unit B Open

The fuser unit is open. The error automatically clears itself when the fuser unit is closed properly.

Unit C Open

The paper path unit is open. The error automatically clears itself when the paper path unit is closed properly.

Unit G Open

The optional Duplex Unit's main unit is open. The error automatically clears itself when the Duplex Unit's main unit is closed properly.

Warming Up

The printer is warming up.

Waste T Box Nearfull

The waste toner collector is nearly full of toner. You can continue to print until the `Replace Waste T Box` error message appears, but early replacement is recommended to maintain high print quality. See "Replacing the waste toner collector" on page 268.

Worn Fuser

This message indicates that the fuser unit is near the end of its service life. Turn the printer off, then replace the fuser unit with a new one. Contact your dealer. "Fuser Unit" on page 238

To clear this warning message and continue printing, select **Clear Warnings** from the control panel's Reset Menu. See "How to access the control panel menus" on page 167 for instructions.

Worn Photoconductor

This message indicates that the photoconductor unit is near the end of its service life. You can continue to print until the **Replace Photoconductor** error message appears, but early replacement is recommended to maintain high print quality.

To clear this warning message and continue printing, select **Clear Warnings** from the control panel's Reset Menu. See "How to access the control panel menus" on page 167 for instructions.

Write Error ROM A/Write Error ROM P

This message indicates an internal error in the printer. Reset the printer. If this error persists, consult your dealer.

Writing ROM A/Writing ROM P

This message indicates an internal error in the printer. Reset the printer. If this error persists, consult your dealer.

Wrong Photoconductor

You have installed a photoconductor unit that has not been designed for this printer. Turn off the printer, remove the incorrect photoconductor unit and install one designed for this printer (S051082). See "Replacing the photoconductor unit" on page 263.

XXXX Toner Low

The indicated toner cartridges have less than 10% of toner remaining. (The letters C, M, Y, or K appear in place of XXXX and indicate the colors Cyan, Magenta, Yellow, and Black respectively.)

You can continue to print until the XXXX Toner Out error message appears. Waiting until this message appears before replacing the toner is recommended as toner may spill during replacement if toner remains in the cartridge. When printouts become faint, see “Toner Cartridge” on page 257 for instructions.


To clear this error, select **Clear Warnings** from the control panel’s **Reset Menu**. See “How to access the control panel menus” on page 167 for instructions.

XXXX Toner Out

The indicated toner cartridges are out of toner and need to be replaced. (The letters C, M, Y, or K appear in place of XXXX and indicate the colors Cyan, Magenta, Yellow, and Black respectively.)

See “Toner Cartridge” on page 257 for instructions.


Canceling Printing

You can cancel printing from your computer by using the printer driver, or from the printer by using the  Job Cancel button or the control panel’s **Reset Menu**.



Using the printer driver

To cancel a print job before it is sent from your computer, see “Canceling Printing” on page 103 for Windows, or “Canceling Printing” on page 163 for Macintosh.

Using the control panel

In many cases you will find that the job has already been sent and needs to be canceled at the printer. The  Job Cancel button is the best way to do this, although the Reset Menu can also be used. See the descriptions below.


Using the Job Cancel button

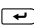
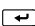
The  Job Cancel button on your printer is the quickest and easiest way to cancel printing. Pressing this button cancels the currently printing job, and any print data that was being saved to the Hard Disk Drive. Pressing the  Job Cancel button for more than two seconds deletes all jobs from the printer memory, including jobs the printer is currently receiving, saving to the Hard Disk Drive, or printing.

Using the Reset Menu

Selecting **Reset** from the control panel’s Reset Menu stops printing, clears the print job being received from the active interface, and clears errors that may have occurred at the interface.

Follow these steps.

1. Press the  Enter button to access the control panel menus.

2. Press the ▼ Down button several times until `Reset Menu` appears on the LCD panel, then press the  Enter button.
3. Press ▼ Down button one time to display `Reset`.
4. Press the  Enter button. Printing is canceled and the printer is ready to receive a new print job.

Technical Specifications

Paper

Since the quality of any particular brand or type of paper may be changed by the manufacturer at any time, EPSON cannot guarantee the quality of any type of paper. Always test samples of paper stock before purchasing large quantities or printing large jobs.

Available paper types

Paper type	Description
Plain paper	General copier paper (Recycled paper is acceptable.*)
Envelopes	No paste and no tape No plastic window (unless specifically designed for laser printers)
Labels	The backing sheet should be covered completely, with no gaps between labels.
Thick paper	Weight: 105 to 250 g/m ²
Laser printer paper	EPSON Color Laser Paper
Transparencies	EPSON Color Laser Transparencies
Coated paper	EPSON Color Laser Coated Paper
Colored paper	Non-coated
Paper with letterhead	Paper and ink of letterheads must be compatible with laser printers.

* Use recycled paper only under normal temperature and humidity conditions. Poor quality paper may reduce print quality, cause paper jams and other problems.

Paper type specifications

Plain paper

Weight:	64 to 105 g/m ² , 17 to 28 lb
Size:	A3W (328 × 453 mm) A3 (297 × 420 mm) A4 (210 × 297 mm) A5 (148 × 210 mm) B4 (257 × 364 mm) B5 (182 × 257 mm) Letter (8.5 × 11 in.) Legal (8.5 × 14 in.) Half-Letter (5.5 × 8.5 in.) International B5 (176 × 250 mm) Government Letter (8.0 × 10.5 in.) Government Legal (8.5 × 13 in.) Executive (7.25 × 10.5 in.) Ledger (B) (11 × 17 in.) F4 (210 × 330 mm) Custom (90 to 328 mm × 139.7 to 453 mm)
Paper Sources:	MP tray for all sizes Standard lower cassette for A3, A4, B4, B5, Letter, Legal, Executive, Ledger (B) Optional 250-Sheet Paper Cassette A3W for A3W Optional 500-Sheet Paper Cassette Unit/ Optional Large Capacity Paper Unit for A3, A4, B4, B5*, Letter, Legal, Executive*, Ledger (B)

*Availability varies by country.

Envelopes

Size:	Monarch (3 7/8 × 7 1/2 in.) Commercial 10 (4 1/8 × 9 1/2 in.) DL (110 × 220 mm) C6 (114 × 162 mm) C5 (162 × 229 mm)
Paper Source:	MP tray only

Labels

Weight:	105 to 250 g/m ² , 28 to 58.5 lb
Size:	90 to 328 mm × 139.7 to 453 mm
Paper Source:	MP tray only

Thick paper/Extra-thick paper

Weight:	106 to 250 g/m ² , 28 to 67.4 lb
Size:	90 to 328 mm × 139.7 to 453 mm
Paper Source:	MP tray only

EPSON Color Laser Paper

Size:	A3W (328 × 453 mm) A3 (297 × 420 mm) A4 (210 × 297 mm) Letter (8.5 × 11 in.)
-------	---

Paper Sources:

MP tray

for all sizes

Standard lower cassette

for A3, A4, B4, B5, Letter, Legal,
Executive, Ledger (B)

Optional 250-Sheet Paper Cassette A3W

for A3W

Optional 500-Sheet Paper Cassette Unit

for A3, A4, B4, B5, Letter, Legal,
Executive, Ledger (B)

Optional Large Capacity Paper Unit

for A3, A4, B4, B5, Letter, Legal,
Executive, Ledger (B)

EPSON Color Laser Transparencies

Size: A4 (210 × 297 mm)
Letter (8.5 × 11 in.)

Paper Source: MP tray only

EPSON Color Laser Coated Paper

Size: A4 (210 × 297 mm)
A3 (297 × 420 mm)

Paper Source: MP tray only
(when Coated or Coated (Back) is selected as the Paper Type setting in the printer driver)

MP tray, standard lower cassette, optional 500-Sheet Paper Cassette Unit, and optional Large Capacity Paper Unit
(when Plain is selected as the Paper Type setting in the printer driver)

Printable area

5-mm minimum margin on all sides

Note:

The printable area varies, depending on the emulation mode in use.

Printer

General

Printing method:	Laser beam scanning and dry electrophotographic process
Resolution:	600 × 600 dpi
First print* (with A4/Letter):	
Color printing:	Face-up tray: 19.6 seconds or less Face-down tray: 21.7 seconds or less
Black only printing:	Face-up tray: 8.3 seconds or less Face-down tray: 10.4 seconds or less
Warm-up time:	About 330 seconds at normal temperature
Paper feed:	Automatic or manual feed
Paper feed alignment:	Front alignment for all sizes
Input paper supply:	
MP tray:	Up to 150 sheets of plain paper, EPSON Color Laser Paper, and EPSON Color Laser Coated Paper Up to 20 envelopes Up to 75 sheets of labels, thick paper, and transparencies
Standard lower cassette:	Up to 250 sheets of plain paper, EPSON Color Laser Paper, and EPSON Color Laser Coated Paper**

* Printing speed varies by paper source or other conditions.

** This media can be fed from this paper source only when Plain is selected as the Paper Type setting in the printer driver

Optional 250-Sheet Paper Cassette A3W: Up to 250 sheets of plain paper and EPSON Color Laser Paper

Optional 500-Sheet Paper Cassette Unit: Up to 500 sheets of plain paper, EPSON Color Laser Paper, and EPSON Color Laser Coated Paper*

* This media can be fed from this paper source only when Plain is selected as the Paper Type setting in the printer driver.

Optional Large Capacity Paper Unit: Up to 1,000 sheets of plain paper, EPSON Color Laser Paper, and EPSON Color Laser Coated Paper* for two cassettes, each holding up to 500 sheets

* This media can be fed from this paper source only when Plain is selected as the Paper Type setting in the printer driver.

Paper output:

Face-down tray: For plain paper (minimum 210 mm width × 182 mm length), EPSON Color Laser Paper, EPSON Color Laser Coated Paper

Face-up tray: For all paper types

Paper output capacity:

Face-down tray: Up to 250 sheets (larger than B5/EXE)

Face-up tray: Up to 150 sheets (A4 or smaller size paper)
Up to 50 sheets (larger than A4 size paper)

Internal emulation: HP listed LaserJet 4 emulation (LJ4 mode)

HP-GL/2 emulation (GL2 mode)

ESC/P2 24-pin printer emulation (ESCP2 mode)

	ESC/P 9-pin printer emulation (FX mode)
	IBM Proprinter emulation (I239X mode)
Resident fonts:	84 scalable fonts, and 7 bitmap fonts
RAM:	64 MB, expandable up to 1 GB

Environmental

Temperature:	Operation:	10 to 32 °C (50 to 89.6 °F)
	Storage:	0 to 35 °C (32 to 95 °F)
Humidity:	Operation:	15 to 85% RH
	Storage:	30 to 85% RH
Altitude:	3,100 meters (10,168 feet) maximum	

Safety approvals

Safety standards:

U.S. model: UL 1950
CSA C22.2 No.950

European model: Directive 73/23/EEC
EN60950
EN60825-1

EMC:

U.S. model: FCC part 15 subpart B class B

European model: Directive 89/336 /EEC

EN 55022 class B

EN 61000-3-2

EN 61000-3-3

EN 55024

Australian model: AS/NZS 3548 class B

Laser safety

This printer is certified as a Class 1 laser product under the U.S. Department of Health and Human Services (DHHS) Radiation Performance Standard according to the Radiation Control for Health and Safety Act of 1968. This means that the printer does not produce hazardous laser radiation.

Since radiation emitted by the laser is completely confined within protective housings and external covers, the laser beam cannot escape from the machine during any phase of user operation.

CDRH regulations

The Center for Devices and Radiological Health (CDRH) of the U.S. Food and Drug Administration implemented regulations for laser products on August 2, 1976. Compliance is mandatory for products marketed in the United States. The label shown below indicates compliance with the CDRH regulations and must be attached to laser products marketed in the United States.

This laser product conforms to the applicable
requirement of 21 CFR
Chapter I, subchapter J.

SEIKO EPSON CORP.
Hirooka Office
80 Hirooka, Shiojiri-shi, Nagano-ken,
Japan

Mechanical

Dimensions and weight:	Height:	554 mm (21.8 in.)
	Width:	650 mm (25.6 in.)* *When extending all trays, 730 mm (28.7 in.)
	Depth:	647 mm (25.5 in.)
	Weight:	Approx. 70 kg (about 154 lb) excluding options and consumables
Durability:	5 years or 180,000 pages, whichever comes first (under the conditions of A4 size paper, 4 pages continuous printing: black and white = 1:1)	

Electrical

				110 V/120 V Model (Model YCA-6)	220 to 240 V Model (Model YCB-6)
Voltage				110 V-120 V ± 10%	220 V-240 V ± 10%
Rated frequency				50 Hz / 60 Hz ± 3 Hz	50 Hz / 60 Hz ± 3 Hz
Rated current				Less than 10 A	Less than 5 A
Power consumption	During printing*	Average	Color	550Wh or less	
			B/W	750Wh or less	
		MAX	Color	1100W or less	1200W or less
			B/W	1100W or less	1200W or less
	During standby mode	Average	240Wh or less		
		MAX	100W/1000W or less		
Sleep mode**				20Wh	

- * Includes optional cassette unit and Duplex Unit.
- ** Completely suspended. Conformed to the Energy Star program.

Interfaces

Parallel interface

Use the IEEE 1284-I compliant parallel interface connector.

Using ECP mode

To use the EPC mode with a parallel (IEE 1284 level I compliant) interface connector, your computer must support the ECP mode.

The procedure of the mode setting on the parallel interface may differ depending on your computer. Refer to your computer's manual to adjust the mode setting on the parallel interface.

USB interface

USB 1.1 compliant.

Note:

Only computers equipped with a USB connector and running Mac OS 8.1 to 9.X or Windows XP, Me, 98, or 2000 support the USB interface.

Ethernet interface

You can use an IEEE 802.3 100BASE-TX/10 BASE-T straight-through shielded, twisted-pair interface cable with the RJ45 connector.

Options and Consumables

250-Sheet Paper Cassette A3W

Paper size:	A3W (328 × 453 mm)
Paper weight:	64 to 105 g/m ² (17 to 28 lb)
Paper feed:	Automatic feed delivery system Cassette capacity up to 250 sheets
Paper types:	Plain paper, EPSON Color Laser Paper
Dimensions and weight:	
Height:	88 mm (3.5 in.)
Width:	560 mm (22 in.)
Depth:	547 mm (21.5in.)
Weight:	2.7 kg (6.0 lb)

500-Sheet Paper Cassette Unit

Paper size:	A3, A4, Letter, Legal, B4, B5*, Executive*, and Ledger (B) *Availability varies by country.
Paper weight:	64 to 105 g/m ² (17 to 28 lb)
Paper feed:	Automatic feed delivery system Cassette capacity up to 500 sheets
Paper types:	Plain paper, EPSON Color Laser Paper, and EPSON Color Laser Coated Paper* * This media can be fed from this paper source only when Plain is selected as the Paper Type setting in the printer driver.

Power supply: 5 Vdc and 24V supplied by the printer

Dimensions and weight:

Height: 206 mm (8.1 in.)

Width: 575 mm (22.6 in.)

Depth: 602 mm (23.7 in.)

Weight: 14 kg (31 lb) including all cassettes

Large Capacity Paper Unit

Paper size: A3, A4, Letter, Legal, B4, B5*, Executive*, and Ledger (B)

*Availability varies by country.

Paper weight: 64 to 105 g/m² (17 to 28 lb)

Paper feed: Two lower cassettes mounted
Automatic feed delivery system
Cassette capacity up to 500 sheets
(for each cassette)

Paper types: Plain paper, EPSON Color Laser Paper,
and EPSON Color Laser Coated Paper*

* This media can be fed from this paper source only when Plain is selected as the Paper Type setting in the printer driver.

Power supply: 5 Vdc and 24V supplied by the printer

Dimensions and weight:

Height: 264 mm (10.4 in.)

Width: 578 mm (22.8 in.)

Depth: 602 mm (23.7 in.)

Weight: 21.2 kg (47 lb) including all cassettes

Duplex Unit

Paper size: A3, A4, B4, B5, Legal, Government Legal (GLG), Letter, Government Letter (GLT), Executive (EXE), Ledger (B), F4

Paper weight: 64 to 105 g/m² (17 to 28 lb)

Power supply:	5 Vdc and 24V supplied by the printer
Weight:	8.2 kg (18 lb)

Memory module

DRAM type:	Synchronous Dynamic RAM Double In-line memory module (SDRAM DIMM)
Memory size:	64 MB, 128 MB, 256MB, or 512 MB
Type:	168-pin type, 64 bit, with SPD*
Clock frequency:	100 MHz or higher (10 ns or less)
CAS Latency:	CL=2

- * SPD stands for Serial Presence Detect, a chip residing on the memory module that contains information about the size, speed, and other specifications of the memory as well as manufacturer information that can be retrieved by the motherboard through electronic signals.

IEEE 1394 Interface (for Macintosh only)

Basic Specifications

Data transfer method: Half-duplex Data/Strobe differential serial

Synchronization method: IEEE 1394 - 1995 compliant

Encoding/decoding: IEEE 1394 - 1995 compliant

Compatible connectors: IEEE 1394 - 1995 compatible 6 contact receptable

Hard Disk Drive

An optional Hard Disk Drive is available to increase memory.

Toner cartridges

Storage temperature: 0 to 35 °C (32 to 95 °F)

Storage humidity: 15 to 80% RH

Life: Black:
(under the conditions of A4 size paper, continuous printing, and 5% print ratio) Up to 5,500 images
Yellow, Magenta, Cyan: Up to 6,000 images

The actual number of pages you can print with toner cartridges varies depending on the type of printing.

Photoconductor unit

Storage temperature: 0 to 35 °C (32 to 95 °F)

Storage humidity: 15 to 80% RH

Life: 20,000 pages

(under the conditions of A4 size paper, 4 pages continuous printing, with color: black and white = 1:1)

The actual number of pages you can print with a photoconductor unit varies depending on the type of printing.

Waste toner collector

Storage temperature: 0 to 35 °C (32 to 95 °F)

Storage humidity: 15 to 80% RH

Life: 20,000 pages

(under the conditions of A4 size paper, 4 pages continuous printing, 5% print ratio with color: black and white = 1:1)

The actual number of pages you can print before replacing the waste toner collector varies depending on the type of printing.

Symbol Sets

Introduction to Symbol Sets

Your printer can access a variety of symbol sets. Many of these symbol sets differ only in the international characters specific to each language.

Note:

Since most software handles fonts and symbols automatically, you will probably never need to adjust the printer's settings. However, if you are writing your own printer control programs, or if you are using older software that cannot control fonts, refer to the following sections for symbol set details.

When you are considering which font to use, you should also consider which symbol set to combine with the font. Available symbol sets vary depending on which emulation mode you use and which font you choose.

In the LJ4 Emulation Mode

The following symbol sets are available in LJ4 emulation mode.

Available typefaces	Symbol set name:	
76 typefaces + Line Printer	IBM-US (10U)	
	Roman-8 (8U)* (includes another 19 sets)	
	Roman-9 (4U)	ECM94-1 (0N)
	8859-2 ISO (2N)	8859-9 ISO (5N)
	8859-10 ISO (6N)	8859-15 ISO (9N)
	IBM-DN (11U)	PcMultilingual (12U)
	PcEur858 (13U)	Legal (1U)
76 typefaces	PcBlit775 (26U)	PcE.Europe (17U)
	PcTk437 (9T)	Pc1004 (9J)
	WiAnsi (19U)	WiE.Europe (9E)
	WiTurkish (5T)	WiBALT (19L)
	DeskTop (7J)	PsText (10J)
	VeInternational (13J)	VeUS (14J)
	MsPublishing (6J)	Math-8(8M)
	PsMath(5M)	VeMath(6M)
	PiFont (15U)	Windows (9U)
	McText (12J)	
	Line Printer	Roman Extension (0E)
Symbol Set SWA and Symbol Set SWM	Symbol (19M)	
More WingBats SWM	Wingdings (579L)	
OCR A	OCR A (0O)	
OCR B	OCR B (1O)	OCR B Extension (3Q)

Two types of Code 39	Code 39 (0Y)
Two types of EAN/UPC	EAN/UPC (8Y)

* The other 19 sets are the following: ANSI ASCII, Norweg1, French, HP German, Italian, JIS ASCII, Swedis 2, Norweg 2, UK, French 2, German, HP Spanish, Chinese, Spanish, IRV, Swedish, Portuguese, IBM Portuguese, and IBM Spanish. These are partial variations of the Roman-8 set.

The 76 typefaces refer to those listed below:

Courier SWC	Swiss 721 Narrow SWA
Dutch 801 SWC	Zapf Calligraphic 801 SWA
Zapf Humanist 601 SWC	ITC Avant Garde SWA
Ribbon 131 SWC	ITC Bookman SWA
Clarendon Condensed SWC	Century Schoolbook SWA
Swiss 742 SWC	Dutch 801 SWA
Swiss 742 Condensed SWC	ITC Zapf Chancery SWA Italic
Incised 901 SWC	Letter Gothic SWC
Original Garamond SWC	Courier SWA
Audrey Two SWC	
Flareserif 821 SWC	
Swiss 721 SWM	
Dutch 801 SWM	
Swiss 721 SWA	

International character sets for ISO

The following are the available international character sets for ISO.

Character sets:	ANSI ASCII (0U)	Norweg 1 (0D)
	French (0F)	HP German (0G)
	Italian (0I)	JIS ASCII (0K)
	Swedis 2 (0S)	Norweg 2 (1D)
	UK (1E)	French 2 (1F)
	HP Spanish (1S)	German (1G)
	Chinese (2K)	Spanish (2S)
	IRV (2U)	Swedish (3S)
	Portuguese (4S)	IBM Portuguese (5S)
	IBM Spanish (6S)	

In the ESC/P2 or FX Modes

	Pc 437 (U.S./ Standard Europe)	Pc 850 (Multilingual), Pc 860 (Portuguese), Pc 863 (Canadian- French), Pc 865 (Nordic), Roman-8, 8859-15 ISO	Pc 857 (Turkish), Pc 861 (Icelandic), Pc 852 (East Europe, BpBRASCI1, Abicomp, ISOLatin1	Pc858 (13U)	OCR A
Courier SWC	available	available	available	available	not available
EPSON Prestig e	available	available	not available	available	not available
EPSON Roman	available	available	not available	available	not available
EPSON Sans serif	available	available	not available	available	not available
Swiss 721 SWM*	available	available	available	available	not available
Letter Gothic SWC	available	available	available	available	not available
Dutch 801 SWM*	available	available	available	available	not available
EPSON Script	available	available	not available	available	not available
OCR A	not available	not available	not available	not available	available

	Pc 437 (U.S./ Standard Europe)	Pc 850 (Multilingual), Pc 860 (Portuguese), Pc 863 (Canadian- French), Pc 865 (Nordic), Roman-8, 8859-15 ISO	Pc 857 (Turkish), Pc 861 (Icelandic), Pc 852 (East Europe, BpBRASCI1, Abicomp, ISOLatin1	Pc858 (13U)	OCR A
OCR B	available	not available	not available	available	not available

* Available only in ESC/P2 mode.

Swiss 721 SWM is a type face compatible with RomanT.

Letter Gothic SWC is a type face compatible with OratorS.

Dutch 801 SWM is a type face compatible with SansH.

International character sets

You can select one of the following international character sets using the Remote Control Panel utility or the ESC R command:

Character sets: USA, France, Germany, UK,
Japan, Denmark1, Denmark2,
Sweden, Italy, Spain1, Spain2,
Norway, Latin America,
Korea*, Legal*

* Available for ESC/P 2 emulation only

Characters available with the ESC (^ command

To print the characters in the table below, use the ESC (^ command.

CODE	0	1	7
0		▶	
1	☺	◀	
2	⊗	↕	
3	♥	!!	
4	♦	¶	
5	♣		
6	♠	—	
7	•	±	
8	■	↑	
9	○	↓	
A	⊙	→	
B	♂	←	
C	♀	↵	
D	♪	↔	
E	♫	▲	
F	☆	▼	△

In the I239X Emulation Mode

The available symbol sets in the I239X mode are Pc437, Pc850, Pc858, Pc860, Pc863, and Pc865. See “In the ESC/P2 or FX Modes” on page 359.

The available fonts are EPSON Sans Serif, Courier SWC, EPSON Prestige, EPSON Gothic, EPSON Presentor, EPSON Orator, and EPSON Script.

In the EPSON GL/2 Mode

The available symbol sets in the EPSON GL/2 mode are the same as those in LaserJet4 emulation mode. See “In the LJ4 Emulation Mode” on page 356.

Working with Fonts

Available Fonts

The following table lists the fonts that are installed in your printer. The names of all the fonts appear in your application software's font list if you are using the driver provided with the printer. If you are using a different driver, all of these fonts may not be available.

The fonts provided with the printer are shown below, according to the emulation mode.

LJ4/GL2 mode

Font Name	Family	HP Equivalent
Courier SWC	Medium, Bold, Italic, Bold Italic	Courier
Dutch 801 SWC	Medium, Bold, Italic, Bold Italic	CG Times
Zapf Humanist 601 SWC	Medium, Bold, Italic, Bold Italic	CG Omega
Ribbon 131 SWC	-	Coronet
Clarendon Condensed SWC	-	Clarendon Condensed
Swiss 742 SWC	Medium, Bold, Italic, Bold Italic	Univers
Swiss 742 Condensed SWC	Medium, Bold, Italic, Bold Italic	Univers Condensed
Incised 901 SWC	Medium, Bold, Italic	Antique Olive

Font Name	Family	HP Equivalent
Original Garamond SWC	Medium, Bold, Italic, Bold Italic	Garamond
Audrey Two SWC	-	Marigold
Flareserif 821 SWC	Medium, Extra Bold	Albertus
Swiss 721 SWM	Medium, Bold, Italic, Bold Italic	Arial
Dutch 801 SWM	Medium, Bold, Italic, Bold Italic	Times New
Swiss 721 SWA	Medium, Bold, Italic, Bold Italic	Helvetica
Swiss 721 Narrow SWA	Medium, Bold, Italic, Bold Italic	Helvetica Narrow
Zapf Calligraphic 801 SWA	Medium, Bold, Italic, Bold Italic	Palatino Roman
ITC Avant Garde SWA	Medium, Bold, Italic, Bold Italic	ITC Avant Garde Gothic
ITC Bookman SWA	Medium, Bold, Italic, Bold Italic	ITC Bookman
Century Schoolbook SWA	Medium, Bold, Italic, Bold Italic	New Century Schoolbook
Dutch 801 SWA	Medium, Bold, Italic, Bold Italic	Times
ITC Zapf Chancery SWA Italic	-	ITC Zapf Chancery Medium Italic
Symbol Set SWM	-	Symbol
Symbol Set SWA	-	SymbolPS
More WingBats SWM	-	Wingdings
ITC Zapf Dingbats SWA	-	ITC Zapf Dingbats
Letter Gothic SWC	Medium, Bold, Italic	Letter Gothic
Courier SWA	Medium, Bold, Italic, Bold Italic	CourierPS

Font Name	Family	HP Equivalent
Line Printer	-	Line Printer
OCR A	-	-
OCR B	-	-
Code39	9.37 pitch, 4.68 pitch	-
EAN/UPC	Bold, Medium	-

When selecting fonts in your application software, choose the font name listed in the HP Equivalent column.

Note:

Depending on the print density, or on the quality or color of the paper, OCR A, OCR B, Code39, and EAN/UPC fonts may not be readable. Print a sample and make sure the fonts can be read before printing large quantities.

ESC/P 2 and FX modes

Font Name	Family
Courier SWC	Medium, Bold
EPSON Prestige	-
EPSON Roman	-
EPSON Sans serif	-
Swiss 721 SWM*	Medium, Bold
Letter Gothic SWC	Medium, Bold
Dutch 801 SWM*	Medium, Bold
EPSON Script	-
OCR A	-
OCR B	-

* Available only in ESC/P2 mode.

Note:

Depending on the print density, or on the quality or color of the paper, OCR A and OCR B fonts may not be readable. Print a sample and make sure the fonts can be read before printing large quantities.

I239X mode

Font Name	Family
Courier SWC	Medium, Bold
EPSON Prestige	-
EPSON Gothic	-

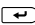

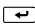
EPSON Orator	-
EPSON Script	-
EPSON Presentor	-
EPSON Sans serif	-
OCR B	-

Note:

Depending on the print density, or on the quality or color of the paper, the OCR B font may not be readable. Print a sample and make sure the font can be read before printing large quantities.

Printing font samples

You can print samples of the fonts available in each mode by using the control panel's Information Menu. Follow these steps to print font samples.

1. Make sure that paper is loaded.
2. Make sure the LCD panel displays `Ready` or `Standby`, then press the  Enter button.
3. Press the  Down button to select the font sample for the appropriate mode.
4. Press the  Enter button to print the selected font sample sheet.

Adding More Fonts

You can add a wide variety of fonts to your computer. Most font packages include an installer for this purpose.

See your computer documentation for instructions on installing fonts.

Selecting Fonts

Whenever possible select fonts in your application. See your software documentation for instructions.

If you are sending unformatted text to the printer directly from DOS or if you are using a simple software package that does not include font selection, you can select fonts using the printer's control panel menus when in the LJ4, ESC/P 2, FX, or I239X emulation mode.

Downloading Fonts

Fonts that reside on your computer's hard disk can be downloaded, or transferred, to the printer so they can be printed. Downloaded fonts, also called soft fonts, remain in printer memory until you turn off the printer or otherwise reset it. If you plan on downloading many fonts, make sure your printer has sufficient memory.

Most font packages make it easy to manage fonts by providing their own installer. The installer gives you the option of having the fonts automatically downloaded whenever you start your computer or having fonts downloaded only when you need to print a particular font.

EPSON Font Manager (Windows Only)

EPSON Font Manager provides you with 131 software fonts.

Installing EPSON Font Manager

Follow these steps to install EPSON Font Manager.

1. Make sure that the printer is off and that Windows is running on your computer.
2. Insert the CD-ROM that comes with your printer into your CD-ROM drive.

3. In the dialog box that appears, double-click Install EPSON Font Manager. Alternatively, you can install it by selecting Install EPSON Font Manager and then clicking the arrow at the top right.



4. Follow the on-screen instructions.
5. When installation is complete, click OK.

EPSON Font Manager is now installed on your computer.

EPSON BarCode Fonts (Windows Only)

EPSON BarCode Fonts let you easily create and print many types of bar codes.

Normally, bar code creation is a laborious process requiring you to specify various command codes, such as Start bar, Stop bar and OCR-B, in addition to the bar code characters themselves. However, EPSON BarCode Fonts are designed to add such codes automatically, allowing you to easily print bar codes that conform to a variety of bar code standards.

EPSON BarCode Fonts support the following types of bar codes.

Bar code Standard	EPSON BarCode	OCR-B	Check Digit	Comments
EAN	EPSON EAN-8	Yes	Yes	Creates EAN (abbreviated version) bar codes.
	EPSON EAN-13	Yes	Yes	
UPC-A	EPSON UPC-A	Yes	Yes	Creates UPC-A bar codes.
UPC-E	EPSON UPC-E	Yes	Yes	Creates UPC-E bar codes.
Code39	EPSON Code39	No	No	Printing of OCR-B and check digits can be specified with the font name.
	EPSON Code39 CD	No	Yes	
	EPSON Code39 CD Num	Yes	Yes	
	EPSON Code39 Num	Yes	No	
Code128	EPSON Code128	No	Yes	Creates Code128 bar codes.

Bar code Standard	EPSON BarCode	OCR-B	Check Digit	Comments
Interleaved 2 of 5 (ITF)	EPSON ITF	No	No	Printing of OCR-B and check digits can be specified with the font name.
	EPSON ITF CD	No	Yes	
	EPSON ITF CD Num	Yes	Yes	
	EPSON ITF Num	Yes	No	
Codabar	EPSON Codabar	No	No	Printing of OCR-B and check digits can be specified with the font name.
	EPSON Codabar CD	No	Yes	
	EPSON Codabar CD Num	Yes	Yes	
	EPSON Codabar Num	Yes	No	

System requirements

To use EPSON BarCode Fonts, your computer system should meet the following requirements:

Computer: IBM PC series or IBM compatible with an i386SX or higher CPU

Operating system: Microsoft Windows Me, 98, 95, Windows XP, 2000, NT 4.0

Hard disk: 15 to 30 KB free space, depending on the font.

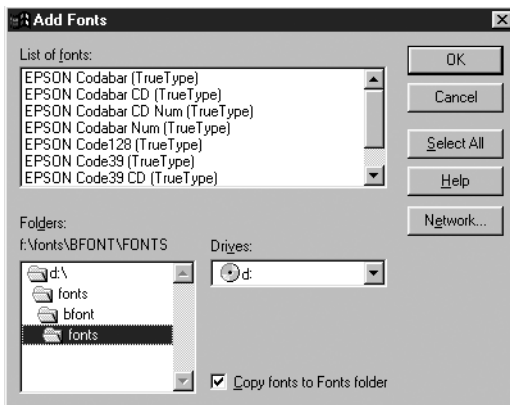
Note:

EPSON BarCode Fonts can only be used with EPSON printer drivers.

Installing EPSON BarCode Fonts

Follow these steps to install EPSON BarCode Fonts. The procedure described here is for installation in Windows 98; the procedure for other Windows operating systems is nearly the same.

1. Turn on the computer and start Windows.
2. Insert the CD-ROM or floppy disk containing the EPSON BarCode Fonts into the appropriate drive.
3. Click **Start**, point to **Settings**, then click **Control Panel**.
4. Double click **Fonts**.
5. From the **File** menu, select **Install New Font**.



6. Select the appropriate CD-ROM or floppy drive, then select the **BarCode Fonts** folder from the **Folders** list.
7. In the **List of fonts** box, select the BarCode Font you want to install, or click the **Select All** button to install all EPSON BarCode Fonts.

Note:

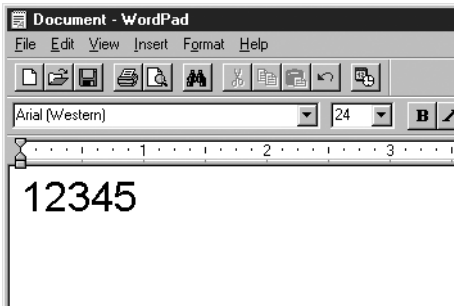
Make sure that the Copy fonts to Fonts folder check box is selected.

8. Click OK. The selected EPSON BarCode Fonts are installed in the Windows Fonts folder.

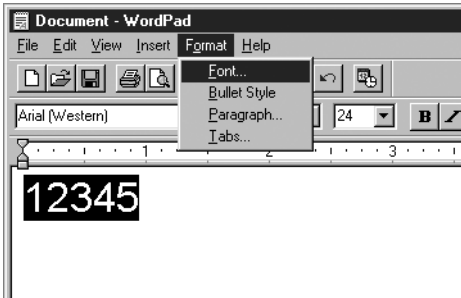
Printing with EPSON BarCode Fonts

Follow these steps to create and print bar codes using EPSON BarCode Fonts. The application featured in these instructions is Microsoft WordPad. The actual procedure may differ slightly when printing from other applications.

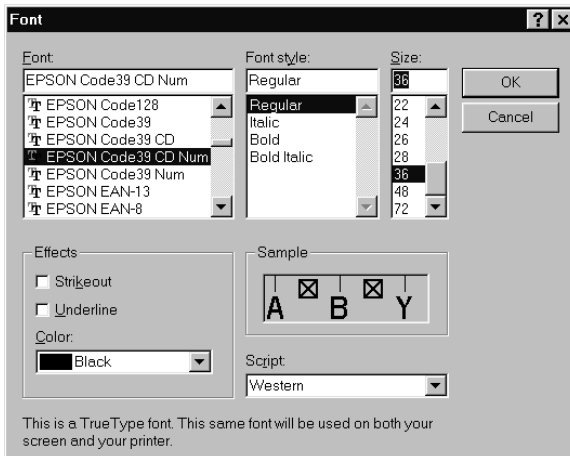
1. Open a document in your application and enter the characters you want to convert into a bar code.



2. Select the characters, then select Font from the Format menu.

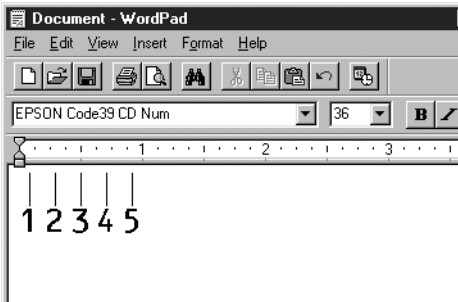


3. Select the EPSON BarCode Font you want to use, then set the font size and click OK.



Note:
In Windows XP, 2000, and NT 4.0, you cannot use font sizes larger than 96 points when printing bar codes.

- The characters you selected appear as bar codes similar to those shown below.



- Select Print from the File menu, then select your EPSON printer and click Properties. Make the following printer driver settings.

Item	Value
Color	Black
Print Quality	Fine (600 dpi)
Toner Save	Not selected
Zoom Options	Not selected
Graphic mode (in the Extended Settings dialog box accessed through the Optional Settings menu)	(not available)
Printing Mode (in the More Settings dialog box accessed through the Basic Settings menu)	High Quality (Printer)

- Click OK to print the bar code.

Note:

If there is an error in the bar code character string, such as inappropriate data, the bar code will be printed as it appears on the screen, but it cannot be read by a bar code reader.

Notes on inputting and formatting barcodes

Please note the following when inputting and formatting bar code characters:

- Do not apply shading or special character formatting, such as bold, italic, or underline.
- Print bar codes in black and white only.
- When rotating characters, only specify rotation angles of 90°, 180°, and 270°.
- Turn off all automatic character and word spacing settings in your application.
- Do not use features in your application that enlarge or reduce the size of characters in only the vertical or horizontal direction.
- Turn off your application's auto-correct features for spelling, grammar, spacing, etc.
- To more easily distinguish bar codes from other text in your document, set your application to show text symbols, such as paragraph marks, tabs, etc.
- Because special characters such as Start bar and Stop bar are added when an EPSON BarCode Font is selected, the resulting bar code may have more characters than were originally input.
- For best results, use only the font sizes recommended in "BarCode Font specifications" on page 378 for the EPSON BarCode Font you are using. Bar codes in other sizes may not be readable with all bar code readers.

Note:

Depending on the print density, or on the quality or color of the paper, bar codes may not be readable with all bar code readers. Print a sample and make sure the bar code can be read before printing large quantities.

BarCode Font specifications

This section contains details on the character input specifications for each EPSON BarCode Font.

EPSON EAN-8

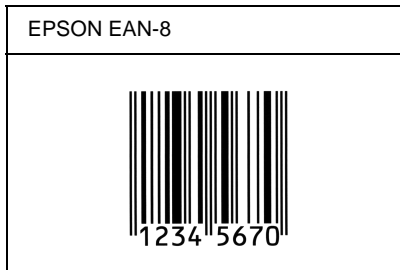
- EAN-8 is an eight-digit abbreviated version of the EAN bar code standard.
- Because the check digit is added automatically, only 7 characters can be input.

Character type	Numbers (0 to 9)
Number of characters	Up to 7 characters
Font size	52 pt to 130 pt (up to 96 pt in Windows XP/2000/NT). Recommended sizes are 52 pt, 65 pt (standard), 97.5 pt, and 130 pt.

The following codes are inserted automatically and need not be input by hand:

- Left/Right margin
- Left/Right guard bar
- Center bar
- Check digit
- OCR-B

Print sample



EPSON EAN-13

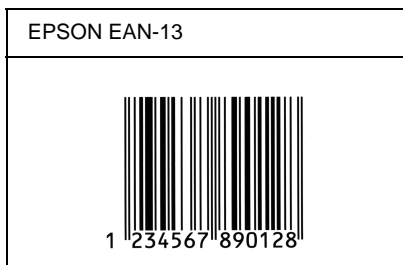
- EAN-13 is the standard 13-digit EAN bar code.
- Because the check digit is added automatically, only 12 characters can be input.

Character type	Numbers (0 to 9)
Number of characters	Up to 12 characters
Font size	60 pt to 150 pt (up to 96 pt in Windows XP/2000/NT). Recommended sizes are 60 pt, 75 pt (standard), 112.5 pt, and 150 pt.

The following codes are inserted automatically and need not be input by hand:

- Left/Right margin
- Left/Right guard bar
- Center bar
- Check digit
- OCR-B

Print sample



EPSON UPC-A

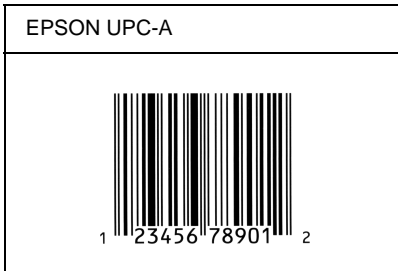
- UPC-A is the standard bar code specified by the American Universal Product Code (UPC Symbol Specification Manual).
- Only regular UPC codes are supported. Supplementary codes are not supported.

Character type	Numbers (0 to 9)
Number of characters	Up to 11 characters
Font size	60 pt to 150 pt (up to 96 pt in Windows XP/2000/NT). Recommended sizes are 60 pt, 75 pt (standard), 112.5 pt and 150 pt.

The following codes are inserted automatically and need not be input by hand:

- Left/Right margin
- Left/Right guard bar
- Center bar
- Check digit
- OCR-B

Print sample



EPSON UPC-E

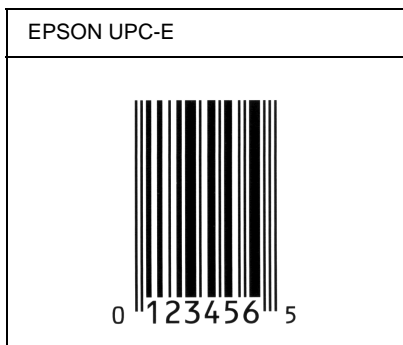
- UPC-E is the UPC-A zero-suppression (deletes extra zeros) bar code specified by the American Universal Product Code (UPC Symbol Specification Manual).

Character type	Numbers (0 to 9)
Number of characters	Up to 6 characters
Font size	60 pt to 150 pt (up to 96 pt in Windows XP/2000/NT). Recommended sizes are 60 pt, 75 pt (standard), 112.5 pt, and 150 pt.

The following codes are inserted automatically and need not be input by hand:

- Left/Right margin
- Left/Right guard bar
- Check digit
- OCR-B
- The numeral "0"

Print sample



EPSON Code39

- Four Code39 fonts are available, allowing you to enable and disable the automatic insertion of check digits and OCR-B.
- The height of the bar code is automatically adjusted to 15% or more of its total length, in conformance to the Code39 standard. For this reason, it is important to keep at least one space between the bar code and the surrounding text to prevent overlapping.
- Spaces in Code39 bar codes should be input as “_” underbars.
- When printing two or more bar codes on one line, separate the bar codes with a tab, or select a font other than a BarCode Font and input the space. If a space is input while a Code39 font is selected, the bar code will not be correct.





Character type	Alphanumeric characters (A to Z, 0 to 9) Symbols (- . space \$ / + %)
Number of characters	No limit

Font size	<p>When OCR-B is not used: 26 pt or more (up to 96 pt in Windows XP/2000/NT). Recommended sizes are 26 pt, 52 pt, 78 pt, and 104 pt.</p> <p>When OCR-B is used: 36 pt or more (up to 96 pt in Windows XP/2000/NT). Recommended sizes are 36 pt, 72 pt, 108 pt, and 144 pt.</p>
-----------	--

The following codes are inserted automatically and need not be input by hand:

- Left/Right quiet zone
- Check digit
- Start/Stop character

Print sample

EPSON Code39	EPSON Code39 CD
	
EPSON Code39 Num	EPSON Code39 CD Num
 <p style="text-align: center;">1 2 3 4 5 6 7</p>	 <p style="text-align: center;">1 2 3 4 5 6 7 S</p>

EPSON Code128

- Code128 fonts support code sets A, B, and C. When the code set of a line of characters is changed in the middle of the line, a conversion code is automatically inserted.

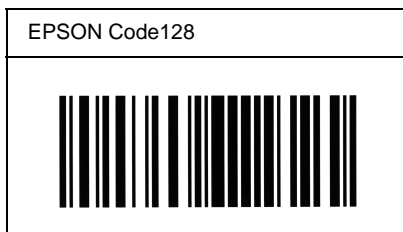
- ❑ The height of the bar code is automatically adjusted to 15% or more of its total length, in conformance to the Code128 standard. For this reason, it is important to keep at least one space between the bar code and the surrounding text to prevent overlapping.
- ❑ Some applications automatically delete the spaces at the end of lines or change multiple spaces into tabs. Bar codes containing spaces may not be correctly printed from applications that automatically delete spaces from the ends of lines or change multiple spaces into tabs.
- ❑ When printing two or more bar codes on one line, separate the bar codes with a tab, or select a font other than a BarCode Font and input the space. If a space is input while Code128 is selected, the bar code will not be correct.

Character type	All ASCII characters (95 in total)
Number of characters	No limit
Font size	26 pt to 104 pt (up to 96 pt in Windows XP/2000/NT). Recommended sizes are 26 pt, 52 pt, 78 pt, and 104 pt.

The following codes are inserted automatically and need not be input by hand:

- ❑ Left/Right quiet zone
- ❑ Start/Stop character
- ❑ Check digit
- ❑ Change code set character

Print sample



EPSON ITF

- The EPSON ITF fonts conform to the USS Interleaved 2-of-5 standard (American).
- Four EPSON ITF fonts are available, allowing you to enable and disable the automatic insertion of check digits and OCR-B.
- The height of the bar code is automatically adjusted to 15% or more of its total length, in conformance to the Interleaved 2-of-5 standard. For this reason, it is important to keep at least one space between the bar code and the surrounding text to prevent overlapping.
- Interleaved 2 of 5 treats every two characters as one set. When there are an odd number of characters, EPSON ITF fonts automatically add a zero to the beginning of the character string.

Character type	Numbers (0 to 9)
Number of characters	No limit

Font size	When OCR-B is not used: 26 pt or more (up to 96 pt in Windows XP/2000/NT). Recommended sizes are 26 pt, 52 pt, 78 pt, and 104 pt. When OCR-B is used: 36 pt or more (up to 96 pt in Windows XP/2000/NT). Recommended sizes are 36 pt, 72 pt, 108 pt, and 144 pt.
-----------	---

The following codes are inserted automatically and need not be input by hand:

- Left/Right quiet zone
- Start/Stop character
- Check digit
- The numeral “0” (added to the beginning of character strings as needed)

Print sample

EPSON ITF	EPSON ITF CD
	
EPSON ITF Num	EPSON ITF CD Num
 0 1 2 3 4 5 6 7	 1 2 3 4 5 6 7 0

EPSON Codabar



- Four Codabar fonts are available, allowing you to enable and disable the automatic insertion of check digits and OCR-B.
- The height of the bar code is automatically adjusted to 15% or more of its total length, in conformance to the Codabar standard. For this reason, it is important to keep at least one space between the bar code and the surrounding text to prevent overlapping.
- When either a Start or a Stop character is input, Codabar fonts automatically insert the complementary character.
- If neither a Start nor a Stop character is input, these characters are automatically input as the letter "A".

Character type	Numbers (0 to 9) Symbols (- \$: / . +)
Number of characters	No limit
Font size	When OCR-B is not used: 26 pt or more (up to 96 pt in Windows XP/2000/NT). Recommended sizes are 26 pt, 52 pt, 78 pt, and 104 pt. When OCR-B is used: 36 pt or more (up to 96 pt in Windows XP/2000/NT). Recommended sizes are 36 pt, 72 pt, 108 pt, and 144 pt.

The following codes are inserted automatically and need not be input by hand:

- Left/Right quiet zone
- Start/Stop character (when not input)
- Check digit

Print sample

EPSON Codabar	EPSON Codabar CD
	
EPSON Codabar Num	EPSON Codabar CD Num



Contacting Customer Support

If your printer is not operating properly and you cannot solve the problem you are experiencing with the troubleshooting information in this guide, contact EPSON customer support services for assistance.

We will be able to help you much more quickly if you are able to give the exact information indicated below:

Serial number of your printer

(The serial number label is on the back of the printer.)

Printer model

Brand and model of your computer

Printer software version

(Click Version Info on the printer driver's Basic Settings menu.)

Operating system (Windows 95/98, NT 4.0, Mac OS 8.1, etc.) you are using

Version of applications you normally use with your printer

For North American users

If you purchased your printer in the United States or Canada, EPSON provides technical assistance 24 hours a day through the electronic support services and automated telephone services listed in the following table:

Service	Access
World Wide Web	From the Internet, you can reach EPSON Support at http://support.epson.com . At this site, you can download drivers and other files, look at documentation such as product brochures and user manuals, and access troubleshooting information.
EPSON Internet FTP Site	If you have Internet FTP capability, use your Web browser (or other software for FTP downloading) to log onto ftp.epson.com with the user name anonymous and your e-mail address as the password.
EPSON E-MAIL Technical Support	To receive technical advice through e-mail, go to http://support.epson.com and complete the form under the troubleshooting tab, as requested.
Automated Telephone Services	A variety of automated help services are available 24 hours a day, seven days a week. To use these services, you must have a touch tone telephone and call (800) 922-8911 .

To speak directly to a technical support representative, dial: **(888) 377-6611**, 6 AM to 8 PM, Pacific Time, Monday through Friday and 7 AM to 4 PM, Pacific Time, Saturday and Sunday.

Before you call, make sure you have your Unit ID number ready.

You can purchase ink or toner cartridges, paper, manuals, and accessories from EPSON at **(800) 873-7766** or visit our web site at www.epsonsupplies.com (U.S. sales only). In Canada, please call **(800) 873-7766** for dealer referral.

For Latin American users

Electronic support services are available 24 hours a day at the following web sites:

Service	Access
World Wide Web	From the Internet, you can reach EPSON's Latin American website at http://www.latin.epson.com . In Brazil, you can reach Epson at http://www.epson.br .

To speak with a customer support representative, call one of the numbers below:

Country	Telephone number
Argentina	11-4346-0300
Brazil	(55 11) 7296-6100
Chile	02-236-6717
Colombia	01-523-5000
Costa Rica	6-296-6222
México México, D.F. Resto del país	5-328-4008 01-800-50-607-00
Perú	224-2336
Venezuela	58-2-240-1111

For European Users

For United Kingdom and the Republic of Ireland Users

If you purchased your product in the UK or the Republic of Ireland, EPSON (UK) Limited provides a range of customer services and technical support.

Support Via the World Wide Web

- ❑ For information on the latest EPSON products, software drivers, online user guides and answers to frequently asked questions:

<http://www.epson.co.uk>

- ❑ To e-mail EPSON Technical Support:

<http://www.epson.co.uk/support/email/>

- ❑ For a full list of EPSON Customer and Warranty Support services:

<http://www.epson.co.uk/support/>

Support Via Telephone

Our Customer and Warranty Support teams can be contacted by calling 0870 163 7766 in the UK or 0044 0870 163 7766 from the Republic of Ireland. They can provide the following services:

- ❑ Technical information on installing, configuring and operating your EPSON products
- ❑ Arranging for faulty EPSON products to be repaired within the warranty period

Before you call, please have the following information ready:

Product Model

Serial number of your product

(The serial number label is on the back of the product.)

Brand and model of your computer

Driver software version

(Click Version Info on the printer driver's Basic Settings menu.)

Operating System

(For example, Windows 95/98, NT 4.0, or Mac OS 8.1)

Applications

The applications you normally use with your printer and their version numbers.

Pre Sales Enquiry Desk

Our Enquiry Desk team can be contacted by calling 0800 220546 in the UK or 1 800 409132 from the Republic of Ireland, by faxing 01442 227271 in the UK or 0044 1442 227271 from the Republic of Ireland, and via e-mail at info@epson.co.uk. They can provide the following information:

- Pre sales information and literature on new EPSON products (also available via our world wide web site at <http://www.epson.co.uk>)
- Where to purchase genuine EPSON consumables, accessories, and options

For Users in Germany

EPSON Service Center c/o Exel Hünxe GmbH
Werner-Heisenberg-Straße 2
46569 Hünxe
<http://www.epson.de/support>

France

Support Technique EPSON France
0 821 017 017 (2,21 F la minute)
Ouvert du lundi au samedi de 9h00 à 20h00 sans interruption
<http://www.epson.fr/support/selfhelp/french.htm> pour
accéder à l'**AIDE EN LIGNE**.
<http://www.epson.fr/support/services/index.shtml> pour
accéder aux **SERVICES** du support technique.

Spain

EPSON IBÉRICA, S.A.
Avda. Roma 18-26, 08290 Cerdanyola, Barcelona, España
Tel.: 34.93.5821500; Fax.: 34.93.5821555
CENTRO DE ATENCIÓN AL CLIENTE: 902.404142
Fax Centro de Atención al Cliente no. 34 935 821 516
soporte@epson.es
<http://www.epson.es>

Italy

EPSON Italia s.p.a.

Viale F.lli Casiraghi, 427
20099 Sesto San Giovanni (MI)

Tel.: 02.26.233.1

Fax.: 02.2440750

Assistenza e Servizio Clienti

02.29400341

<http://www.epson.it>

Portugal

EPSON Portugal, S.A.

Rua do Progresso, 471 - 1º - Perafita - Apartado 5132
4458 - 901 Perafita Codex

Tel.: 22.999.17.00; Fax.: 22.999.17.90

TECHNICAL HELPDESK: 808 200015

<http://www.epson.pt>

Austria

ASC Büromaschinen GmbH

Kettenbrückengasse 16

1052 Wien

Tel.: 01/58966-0; Fax.: 01/5867726

<http://www.artaker.com>; <http://www.epson.at>

Netherlands

CARD IS B.V.

Ambachsweg

3606 AP Maarssen

<http://www.epson.nl/support/>

Belgium & Luxemburg

MDR (ARC)
H. Dom. Saviolaan 8
1700 Dilbeek
<http://www.epson.be>

Switzerland

EXCOM Service A.G.
Moosacherstrasse 6, Au, 8820 Wädenswil
Tel.: 01/7822111
<http://www.excom.ch>

Notice for Windows XP Users

To use this product on the computer running Windows XP Service Pack 2, follow the steps below to change the settings in Windows Firewall.

Note:

If you register programs to Windows Firewall as exceptions, ports used by the programs are open to incoming communication from an external network. Each time that you allow an exception for a program to communicate through Windows Firewall, your computer is made more vulnerable. If you have many exceptions and open ports, your computer can become a victim of unknown intruders or viruses. Epson takes no responsibilities for damages caused by allowing exception in Windows Firewall.

A. Configuring the Network Interface using EpsonNet WinAssist

If you configure the network interface using the computer running Windows XP Service Pack 2, follow the steps below to register the network configuration utility (EpsonNet WinAssist) to Windows Firewall as exceptions; otherwise you cannot configure the network interface because it is not displayed on the screen of the network configuration utility.

After installing EpsonNet WinAssist from the software CD-ROM, make the following settings before configuring the network interface.

1. Click **Start**, point to **Control Panel**, and then select **Security Center**. Click **Windows Firewall**.
2. Click the **Exceptions** tab, and then click the **Add Program** button.
3. Select **EpsonNet WinAssist** from the **Programs** list, and then click **OK**.
4. Confirm that the check box for **EpsonNet WinAssist** is selected in the **Programs and Services** list, and then click **OK**.

B. For EpsonNet WebManager Users

If EpsonNet WebManager is installed on the computer running Windows XP Service Pack 2, make the following settings; otherwise the client computers cannot access EpsonNet WebManager.

1. Click **Start**, point to **Control Panel**, and then select **Security Center**. Click **Windows Firewall**.
2. Click the **Exceptions** tab, and then click the **Add Port** button.
3. Enter the name of the port in the **Name** text box and **8090** in the **Port number** text box, and then select the **TCP** radio button.

Note:

*If necessary, click the **Change scope** button and then specify the IP addresses of the client computers for which the port is unblocked.*

4. Click **OK**.

C. For Laser Printer Users

If you share the laser printers on the computer running Windows XP Service Pack 2 on the network, client computers with the following conditions cannot monitor the printers using EPSON Status Monitor 3:

- Client computers running Windows Me/98/95
- Client computers located in another network segment

Solution

1. Click **Start**, point to **Control Panel**, and then select **Security Center**. Click **Windows Firewall**.
2. Click the **Exceptions** tab, and then click the **Add Program** button.
3. Click the **Browse** button.
4. Select the program located in the following folder, using the **Look in** pull-down menu.

C:\Program Files\Common Files\EPSON\EBAPI\
EEBAgent.exe

Note:

- Substitute the drive letter for your operating system.*
- If you have upgraded EPSON Status Monitor 2 to EPSON Status Monitor 3, select the folder where EPSON Status Monitor 2 is installed.*

5. Confirm that `EEBAgent.exe` is registered in the Programs list, and then click OK.
6. Confirm that the check box for `EEBAgent.exe` is selected in the Programs and Services list, and then click OK.

Glossary

ASCII

American Standard Code for Information Interchange. A standardized way of assigning codes to characters and control codes. The system is widely used by manufacturers of computers, printers, and software.

buffer

See *memory*.

character set

A collection of letters, numbers, and symbols used in a particular language.

ColorSync

Macintosh software that is designed to help you get WYSIWYG (what you see is what you get) color output. This software prints colors as you see them on your screen.

cpi (characters per inch)

A measure of the size of fixed-width text characters.

CR (carriage return)

A control code to return the printing position to the start of the next line after printing one line.

default

A value or setting that takes effect when the printer is turned on, reset, or initialized.

download

To transfer information from the computer to the printer.

downloaded font

A font that is loaded into the printer's memory from an outside source, such as a computer. Also called soft font.

dpi (dots per inch)

The number of dots per inch is a measure of printer resolution. The higher the number of dots, the higher the resolution.

driver

See *printer driver*.

drum

The part of the printer mechanism where the image is formed and transferred to paper.

emulation

See *printer emulation*.

FF (Form Feed)

A control code to break the page.

fixed-width font

A font whose characters are allotted the same amount of horizontal space, no matter the width of the character. Thus the uppercase *M* receives the same amount of space as the letter *l*.

font

A set of characters and symbols that share a common typographic design and style.

font family

The collection of all sizes and styles of a font.

halftone

A grayscale image that is composed of small dots. The dots can be close together to create black or more widely spaced to create gray or white areas in the image. Newspaper photographs are common examples of halftones.

initialization

The act of returning the printer to its defaults (fixed set of conditions).

interface

The connection between the printer and the computer. A parallel interface transmits data one character or code at a time, while a serial interface transmits data one bit at a time.

landscape

Printing that is oriented sideways on the page. This orientation gives you a page that is wider than it is high and is useful for printing spreadsheets.

LF (Line Feed)

A control code to start a new line.

memory

The part of the printer's electronic system that is used to store information. Some information is fixed and is used to control how the printer operates. Information that is sent to the printer from the computer (such as downloaded fonts) is stored in memory temporarily. See also *RAM* and *ROM*.

orientation

Refers to the direction in which characters are printed on a page. This direction is either portrait, where the length of the page is longer than its width, or landscape, where the width is longer than its length.

outline font

A font whose outline is described mathematically, allowing it to be rendered (printed or drawn) smoothly at any size.

PCL

The command language built into the Hewlett-Packard® LaserJet® series printers.

photoconductor unit

A component of the printer that contains a photosensitive print drum, developer unit, and intermediate transfer unit. The photoconductor fixes the toner on the paper using heat and pressure.

pitch

A measure of the number of characters per inch (cpi) for fixed-width fonts.

point size

The height of a particular font as measured from the top of the tallest character to the bottom of the lowest. A point is a typographic unit of measure equivalent to 1/72 of an inch.

portrait

Printing that is oriented upright on the page (as opposed to landscape, in which printing is oriented sideways on the page). This is the standard orientation for printing letters or documents.

ppm (pages per minute)

The number of pages can be printed in one minute.

printer driver

Software that sends instructions to the printer to tell it what to do. For example, your printer driver accepts print data from your word processor application and sends instructions to the printer on how to print this data.

printer emulation

A set of operating commands that determines how data sent from the computer is interpreted and acted upon. Printer emulations replicate existing printers, such as the HP LaserJet 4.

proportional font

A font whose characters have varying amounts of horizontal space depending on the width of the character. Thus the uppercase *M* takes up more horizontal space than the lowercase *l*.

RAM

Random Access Memory. The portion of the printer's memory used as a buffer and for storing user-defined characters. All data stored in RAM is lost when the printer is turned off.

reset

To refresh the printer's memory and erase the current print jobs.

resident font

A font that is stored permanently in the printer's memory.

resolution

A measure of the fineness and clarity of images produced by the printer or monitor. Printer resolution is measured in dots per inch. Monitor resolution is measured in pixels.

RITech

Resolution Improvement Technology. A feature that smooths the jagged edges of printed lines or shapes.

ROM

Read Only Memory. A portion of memory that can only be read and cannot be used for data storage. ROM retains its contents when you turn off the printer.

sans serif font

A font lacking serifs.

scalable font

See *outline font*.

serif

The small decorative strokes that come off the main lines of a character.

status sheet

A report that lists the printer settings and other printer information.

symbol set

A collection of symbols and special characters. Symbols are assigned to specific codes in a character table.

toner

The colored powder contained in the toner cartridges that is used to print images on the paper.

TrueType

An outline font format that was developed jointly by Apple[®] Computer and Microsoft Corporation. TrueType fonts are outline fonts that can be easily resized for screen display or for printing.

Index

Numerics

- 250-Sheet Paper Cassette A3W
 - about, 207
 - installing, 207
 - removing, 209
 - specifications, 348
- 500-Sheet Paper Cassette Unit
 - about, 209
 - handling precautions, 211
 - installing, 210
 - removing, 210
 - specifications, 348

A

- Additional Driver
 - using, 114
- Adobe PostScript 3 ROM module
 - about, 243
 - installing, 243
 - removing, 247

B

- Back button, 165
- Buttons
 - Back, 165
 - Down, 165
 - Enter, 165
 - Job Cancel, 165
 - Start/Stop, 165
 - Up, 165

C

- Clients
 - with Windows 2000, 122
 - with Windows Me/98/95, 120
 - with Windows NT 4.0, 125
- Confidential Job, 87, 153

- Confidential Job Menu, 187
- Consumables
 - photoconductor unit, 262
 - precautions when replacing, 256
 - replacement messages, 255
 - toner cartridges, 257
 - waste toner collector, 267
- Control panel
 - about, 165
 - buttons, 165
 - settings, 167
- Control panel menus
 - how to use, 167
 - overview of available menus, 172
- Control panel settings, when to use, 167

D

- Data light, 165
- Down button, 165
- Duplex Unit
 - about, 218
 - installing, 219
 - removing, 225
 - specifications, 350

E

- Enter button, 165
- Envelopes
 - driver settings, 46
 - loading, 46
 - specifications, 338
 - the use of, 45
- EPSON BarCode Fonts
 - about, 370
 - formatting, 377
 - inputting, 377
 - installing, 373
 - printing, 374

- specifications, 378
- system requirements, 372
- EPSON Color Laser Coated Paper,
 - specifications, 340
- EPSON Color Laser Paper,
 - specifications, 338
- EPSON Color Laser Transparencies,
 - specifications, 340
- EPSON special media
 - EPSON Color Laser Coated Paper,
 - 22
 - EPSON Color Laser Paper, 21
 - EPSON Color Laser Transparencies,
 - 22
- EPSON Status Monitor 3
 - about (Macintosh), 155
 - about (Windows), 89
 - accessing (Macintosh), 155
 - accessing (Windows), 91
 - monitoring preferences (Macintosh), 158
 - monitoring preferences (Windows), 98
 - printer status (Macintosh), 156
 - printer status (Windows), 93
 - Status Alert Window (Macintosh), 159
 - Status Alert window (Windows), 100
- Error light, 165

F

- Fonts
 - adding, 368
 - available, 363
 - downloading, 368
 - EPSON BarCode Fonts, 370
 - selecting, 368

G

- Guides
 - Administrator's Guide, i
 - Reference Guide, i
 - Setup Guide, i

H

- Hard Disk Drive
 - about, 226
 - installing, 226
 - reformatting, 231
 - removing, 232

I

- IEEE 1394 Interface, specifications, 352
- Installing
 - 250-Sheet Paper Cassette A3W, 207
 - 500-Sheet Paper Cassette Unit, 210
 - Adobe PostScript 3 ROM module, 243
 - Duplex Unit, 219
 - Hard Disk Drive, 226
 - Interface cards, 250
 - Large Capacity Paper Unit, 212
 - memory modules, 235
 - ROM modules, 243
- Interface cards
 - about, 250
 - installing, 250
 - removing, 253

J

- Job Cancel button, 165

L

Labels

- driver settings, 47
- specifications, 338
- the use of, 47

Large Capacity Paper Unit

- about, 210
- handling precautions, 211
- installing, 212
- removing, 217
- specifications, 350

LCD Panel, 165

Lights

- Data, 165
- Error, 165
- Ready, 165

Loading paper

- envelopes, 46
- lower cassettes, 38
- MP tray, 35
- non-standard size paper, 48
- transparencies, 45

M

Memory modules

- installing, 235
- removing, 240
- specifications, 235, 351

O

Options

- 250-Sheet Paper Cassette A3W, 207
- 500-Sheet Paper Cassette Unit, 209
- Adobe PostScript 3 ROM module, 243
- Duplex Unit, 218
- Hard Disk Drive, 226
- interface cards, 250
- Large Capacity Paper Unit, 210

Output trays

- about, 32
- face-down tray, 33

- face-up tray, 32
- selecting, 34

P

Paper

- EPSON special media, 21
- printable area, 340
- prohibited, 24
- specifications, 337
- supported media types, 336

Paper jams

- Duplex Unit's inverter cover, 295
- Duplex Unit's main unit, 296
- error messages, 277
- fuser unit, 285
- Large Capacity Paper Unit, 293
- lower cassettes, 280
- MP tray, 282
- output path cover, 283
- paper cassettes, 292
- paper path unit, 288
- precautions when clearing jams, 280

Paper sources

- 250-Sheet Paper Cassette A3W, 27
- 500-Sheet Paper Cassette Unit, 28
- for EPSON Color Laser Coated Paper, 43
- for EPSON Color Laser Paper, 42
- for EPSON Color Laser Transparencies, 44
- Large Capacity Paper Unit, 29
- MP tray, 26
- selecting, 29
- standard lower cassette, 27

Parallel interface

- specifications, 347
- using the ECP mode, 347

Password

- entering for Confidential Job, 171
- for Confidential Job, 88, 154

Photoconductor unit

- handling precautions, 262
- replacing, 263
- specifications, 353

Printer

- available optional products, 16
- cleaning, 271
- consumable products, 17
- locating, 275
- parts, 14
- resetting, 332
- settings (Macintosh), 130
- settings (Windows), 52
- sharing, 111
- specifications, 341

Printer driver

- about (Macintosh), 129
- about (Windows), 51
- accessing (Macintosh), 129
- accessing (Windows), 51
- uninstalling (Macintosh), 163
- uninstalling (Windows), 104

Printer settings

- automatic setting (Macintosh), 130
- automatic setting (Windows), 52
- customizing settings (Macintosh), 133
- customizing settings (Windows), 56
- duplex printing (Macintosh), 145
- duplex printing (Windows), 76
- extended settings (Macintosh), 146
- extended settings (Windows), 79
- overlay, 66
- predefined settings (Macintosh), 131
- predefined settings (Windows), 53
- print layout (Macintosh), 136
- print layout (Windows), 60
- print quality (Macintosh), 130
- resizing printouts (Macintosh), 135
- resizing printouts (Windows), 58
- saving customized settings (Macintosh), 134
- saving customized settings (Windows), 58
- watermark (Macintosh), 139
- watermark (Windows), 63

Q

- Quick Print Job Menu, 170, 187

R

- Ready light, 165
- Removing
 - 250-Sheet Paper Cassette A3W, 209
 - 500-Sheet Paper Cassette Unit, 210
 - Adobe PostScript 3 ROM module, 247
 - Duplex Unit, 225
 - Hard Disk Drive, 232
 - interface cards, 253
 - Large Capacity Paper Unit, 217
 - memory modules, 240
- Re-Print Job, 84, 150
- Reserve Job, 82, 148
 - Confidential Job, 87, 153
 - Re-Print Job, 84, 150
 - Stored Job, 86, 152
 - Verify Job, 85, 151
- Resetting the printer, 332
- RI Tech, 20
- ROM modules, installing, 243

S

- Stored Job, 86, 152
- Symbol sets
 - EPSON GL/2 mode, 362
 - ESC/P2 mode, 359
 - FX mode, 359
 - I239X mode, 361
 - international character sets, 360
 - introduction, 355
 - ISO sets, 358
 - LJ4 mode, 356

T

- Thick paper
 - driver settings, 48
 - specifications, 338
- Toner cartridges
 - handling precautions, 257
 - replacing, 258
 - specifications, 352
- Transparencies
 - loading, 45
 - settings, 44
 - the use of, 44
- Transporting the printer
 - for long distances, 272
 - for short distances, 272
- Troubleshooting
 - error messages, 316
 - LCD panel messages, 316
 - operational problems, 299
 - paper handling problems, 316
 - paper jams, 277
 - printout problems, 301
 - print quality problems, 305
 - where to get help, 391

U

- Uninstalling
 - printer software (Macintosh), 163
 - printer software (Windows), 104
 - USB device driver, 108
- Up button, 165
- USB connection
 - setting (Macintosh), 161
 - settings (Windows), 101
- Using
 - Reserve Job, 82, 148

V

- Verify Job, 85, 151

W

- Waste toner collector
 - handling precautions, 267
 - replacing, 268
 - specifications, 353