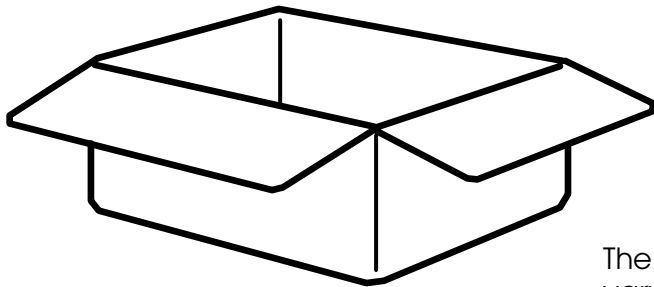


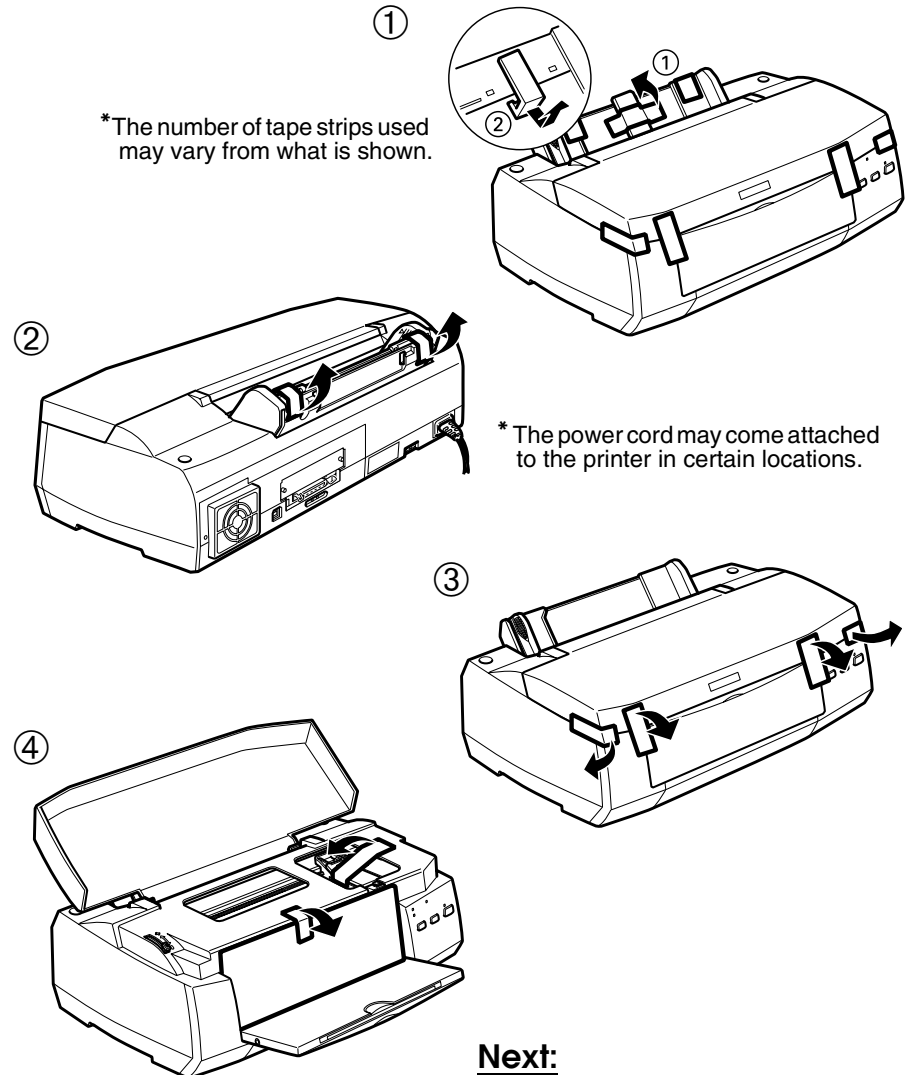
* The power cord may come attached to the printer in certain locations.



The package contents may vary in certain locations.

Removing the Shipping Materials

Remove all tape and protective materials attached to the printer.



Next:

See the back side of this sheet.

Getting Started...

Here's how to print your first page.

① **Unpack the printer**
See the back of this sheet.

② **Set up the printer**

Attach the paper support



Plug in the printer



Connect the printer to your computer



Install the printer software



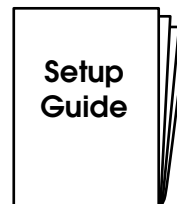
Install the ink cartridges



Check the printer

③ **Print your first page**

Where To Find Information



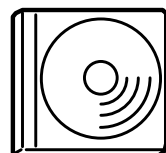
Setup Guide

This guide contains information on setting up your printer and installing the printer software. Follow the instructions in this guide when installing the printer driver.



Daily Use Guide

This manual gives you quick access to basic information on daily operation.



Online Guide CD-ROM

Reference Guide*

When you want to know more about your printer, see this online guide. It includes detailed information on making printer driver settings, printing on special paper, and troubleshooting.

Color Guide*

Read this online guide to learn the basics and beyond of color printing. It includes samples and troubleshooting information to help answer your color printing questions.

* You need a Web browser installed on your computer to view these guides. See the Daily Use Guide for more details.