

EPSON AcuLaser C9200 Series Paper Jam Guide



Warnings must be followed carefully to avoid bodily injury.

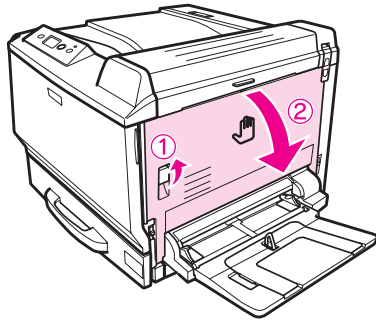
Notes contain information and useful tips on the operation of your printer.

When the LCD panel displays the Paper Jam XXX error message, choose the appropriate description to clear the jammed paper.

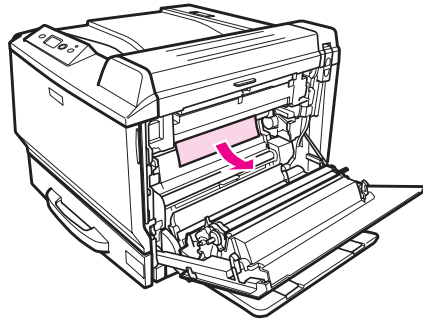
For more information, see the Online User's Guide.

Paper Jam A (Cover A)

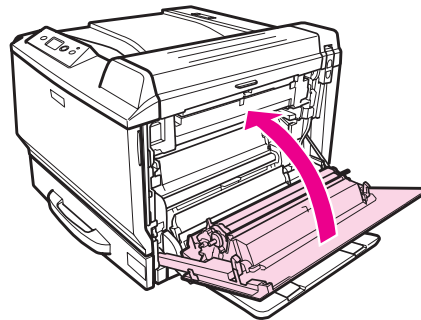
1



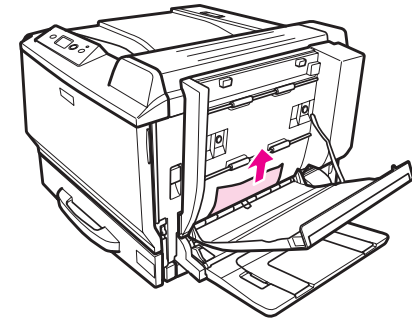
2



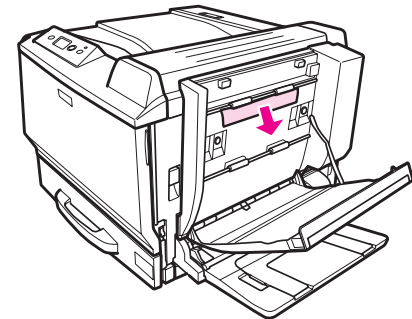
3



When removing form the bottom:

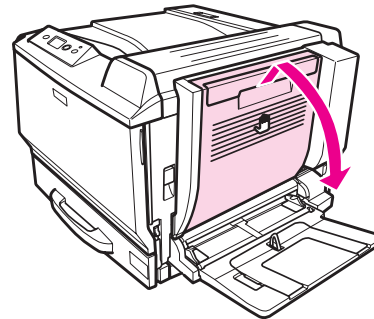


When removing form the top:

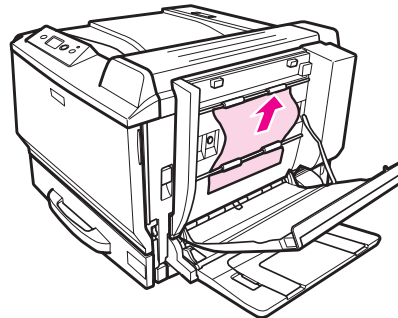


Paper Jam D (Duplex Unit cover)

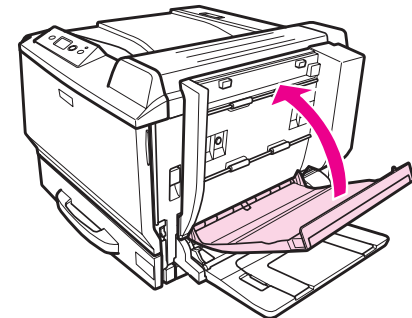
1



2



3

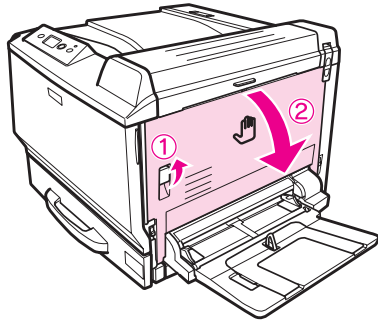


Note:

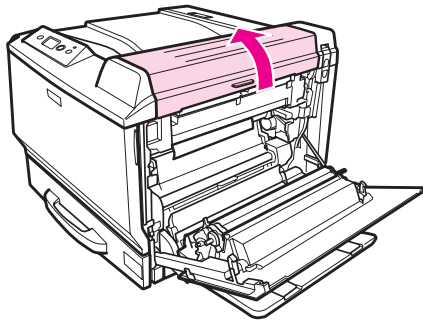
- ❑ If the jammed paper cannot be removed, open cover B or cover H. See "Paper Jam B H (Cover B or H)."
- ❑ If the jammed paper is not found at cover A, open cover B, cover H, and paper path G to confirm there is no remaining jammed paper. See "Paper Jam B H (Cover B or H)" and "Paper Jam G (Paper path G)."

Paper Jam B H (Cover B or H)

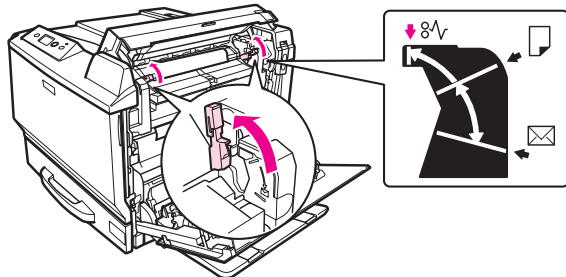
1



2



3

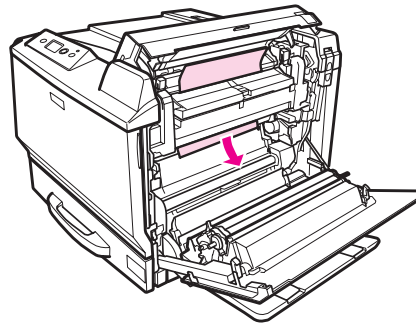


Warning:

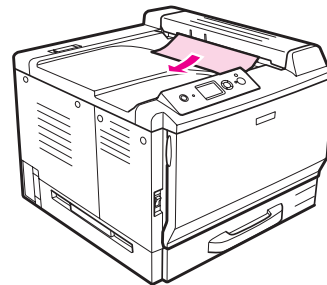
Unless specifically instructed in this guide, be careful not to touch the fuser, which is marked CAUTION HIGH TEMPERATURE, or the surrounding areas. If the printer has been in use, the fuser and the surrounding areas may be very hot. If you must touch one of these areas, wait 30 minutes to allow the heat to subside before doing so.

4

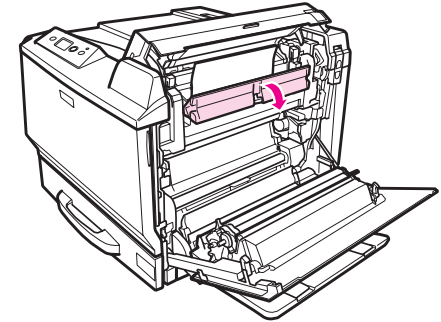
When removing from inside:



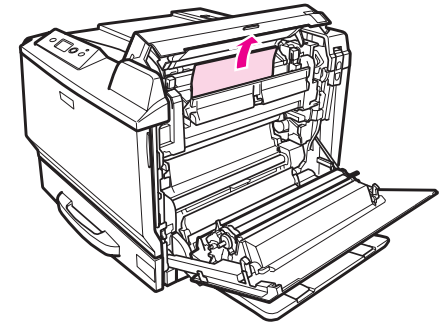
When removing from output tray side:



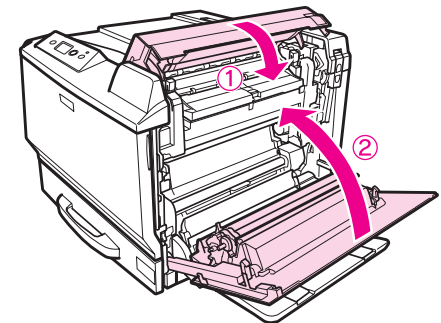
5



6



7

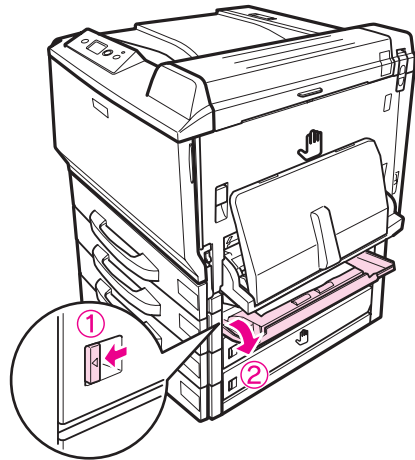


Note:

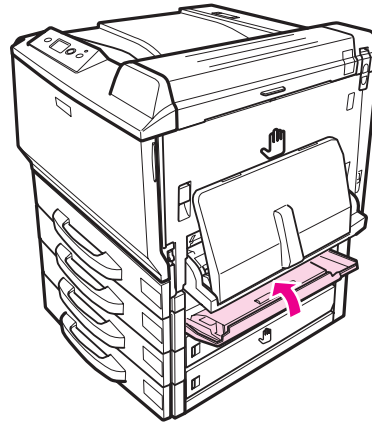
Release levers return automatically when you close cover B.

**Paper Jam E2, Paper Jam E3, Paper Jam E4
(Cover E2, Cover E3, Cover E4)**

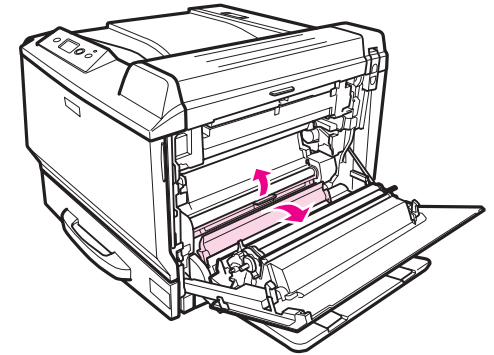
1



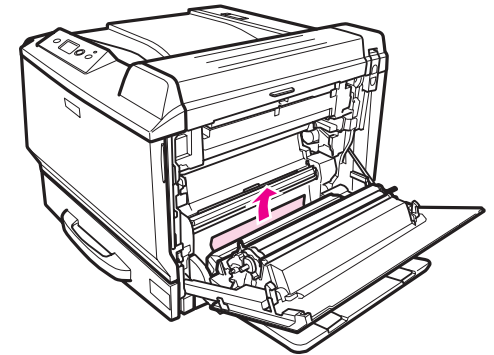
3



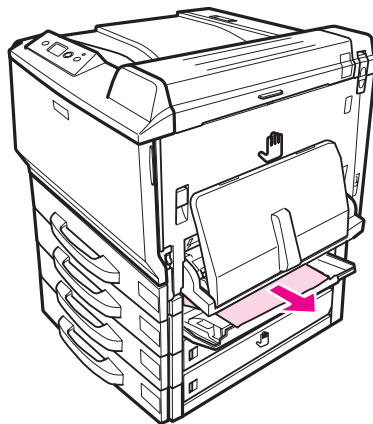
2



3

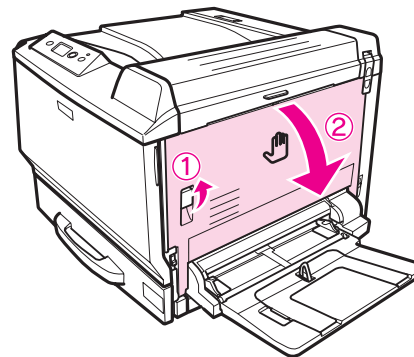


2



Paper Jam G (Paper path G)

1



4

