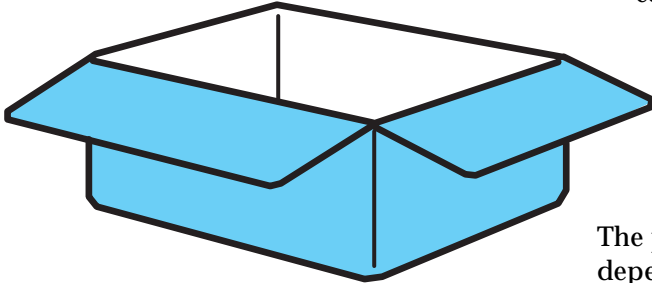


*The power cord may come attached to the printer depending on the country of purchase.

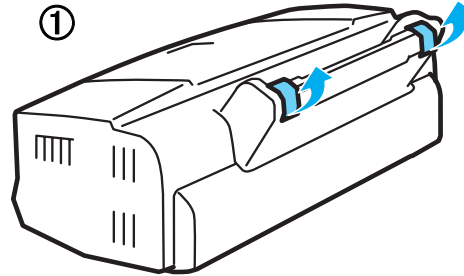


The package contents may vary depending on the country of purchase.

Removing the Shipping Materials

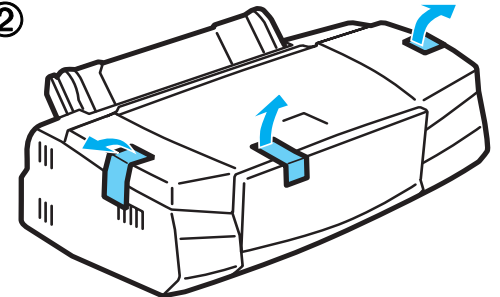
Remove the blue protective materials attached to the printer.

①

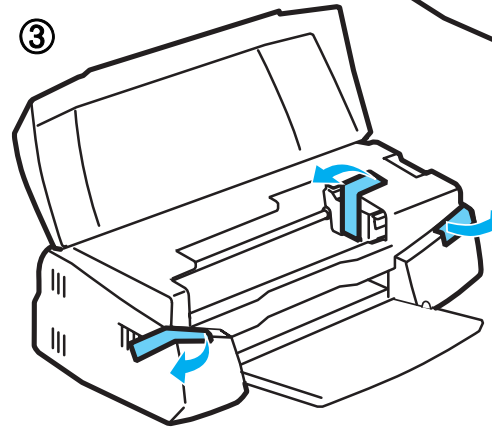


* The power cord may come attached to the printer depending on the country of purchase.

②



③



Next:
See the back side of this sheet.

Getting Started...

Unpacking the Printer

Follow the Setup & Daily Use Guide or the Setup Guide on the CD-ROM.

① Setup the printer

Attach the paper support



Plug in the printer



Install the ink cartridges



Connect to your computer

For USB cable users, see also the USB User's Guide.



② Install the printer software

For USB cable users, see also the USB User's Guide.
For DOS users, see the DOS User's Guide.

③ Load paper

④ Print your first page

You can print the README file to check the printer operation.

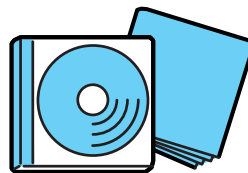
Where To Find Information

Setup & Daily Use Guide



If you are familiar with how to use the printer, use this paper manual. It provides you with information from setting up the printer to daily operation.

Online Guides CD-ROM



Setup Guide

If you are not familiar with how to use the printer, see this guide. It provides you with information from setting up to starting to print.

Reference Guide*

When you want to know more about your printer, see this guide. It provides you with further information such as the printer driver settings, printing on special paper, and troubleshooting.

Color Guide*

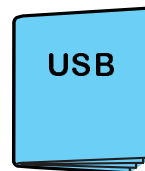
If you want to learn more about color printing, see this guide. It explains the ABC's of color printing.

CD-ROM Booklet

Before using the CD-ROM, see the booklet packed with the CD-ROM.

* The guides require that a HTML browser be installed. See the CD-ROM booklet for detailed information.

USB User's Guide



If you use a USB cable to connect your printer to your computer, see this paper manual.

DOS User's Guide



If you are using DOS, see this paper manual. It provides you with information such as installing the printer driver, font settings, control cords, character tables, troubleshooting and maintenance.