



Epson AcuLaser C1750 Series

User's Guide

NPD4429-00 EN

Contents

Preface

Copyright and Trademarks.	7
Using This Guide.	8
Conventions.	8
Product Features.	9
About the Epson AcuLaser C1750 Series.	9
Features.	9

Chapter 1 Specifications

Specifications.	11
-------------------------	----

Chapter 2 Basic Operation

Main Components.	15
Front View.	15
Rear View.	16
Operator Panel.	16
Printing a Panel Settings Page.	18
The Operator Panel.	18
The Printer Setting Utility.	18
Power Saver Mode.	19
Exiting the Power Saver Mode.	19

Chapter 3 Printer Management Software

Print Driver.	20
EpsonNet Config.	20
Creating an Administrative Password.	20
Printer Setting Utility (Windows Only).	21
Status Monitor (Windows Only).	22
Launcher (Windows Only).	23

Chapter 4 Network Basics

Overview of Network Setup and Configuration.	24
Connecting Your Printer.	24
Connecting Printer to Computer or Network.	25
Setting the IP Address.	28
TCP/IP and IP Addresses.	28
Automatically Setting the Printer's IP Address.	28
Dynamic Methods of Setting the Printer's IP Address.	28
Assigning an IP Address (for IPv4 Mode).	30
Verifying the IP Settings.	32
Printing and Checking the Printer Settings Page.	33
Installing Print Driver on Computers Running Windows.	34
Identifying Print Driver Pre-install Status (for Network Connection Setup).	34
USB Connection Setup.	36
Network Connection Setup.	38
Configuring Wireless Settings (Epson AcuLaser C1750W Only).	39
Setting Up for Shared Printing.	74
Installing Print Driver on Computers Running Mac OS X.	83
Installing the Driver.	83
Adding a Printer.	84

Chapter 5 Printing Basics

About Print Media.	91
Print Media Usage Guidelines.	91
Print Media That Can Damage Your Printer.	92
Supported Print Media.	92
Usable Print Media.	93
Loading Print Media.	95
Capacity.	95
Print Media Dimensions.	96
Loading Print Media in the Multipurpose Feeder (MPF).	96
Loading Print Media in the Priority Sheet Inserter (PSI).	105
Manual Duplex Printing (Windows Print Driver Only).	111
Using the Output Tray Extension.	115
Printing.	115
Sending a Job to Print.	115
Canceling a Print Job.	116

Selecting Printing Options.	117
Printing Custom Size Paper.	122
Checking Status of Print Data.	124
Printing a Report Page.	125
Printer Settings.	126
Printing with Web Services on Devices (WSD).	129
Adding Roles of Print Services.	129
Printer Setup.	130

Chapter 6 Using the Operator Panel Menus

Understanding the Printer Menus.	132
Information Pgs.	132
Billing Meters.	133
Admin Menu.	133
Panel Language.	149
Panel Lock Function.	149
Enabling the Panel Lock.	149
Disabling the Panel Lock.	150
Setting the PowerSaver Time Option.	151
Resetting to Factory Defaults.	151

Chapter 7 Troubleshooting

Clearing Jams.	152
Avoiding Jams.	152
Identifying the Location of Paper Jams.	153
Clearing Paper Jams From the Front of the Printer.	154
Clearing Paper Jams From the Back of the Printer.	155
Clearing Paper Jams From the Center Output Tray.	157
Jam Problems.	160
Basic Printer Problems.	161
Display Problems.	161
Printing Problems.	162
Print Quality Problems.	164
The Output Is Too Light.	164
Toner Smears or Print Comes Off/Stain on Back Side.	165
Random Spots/Blurred Images.	166

The Entire Output Is Blank.	166
Streaks Appear on the Output.	167
Pitched Color Dots.	167
Vertical Blanks.	167
Mottle.	168
Ghosting.	168
Fog.	169
Bead-Carry-Out (BCO).	170
Auger Mark.	171
Wrinkled/Stained Paper.	171
The Top Margin Is Incorrect.	172
Color Registration Is out of Alignment.	173
Protrudent/Bumpy Paper.	175
Adjusting Color Registration.	175
Performing Auto Correct.	175
Printing the Color Registration Chart.	176
Determining Values.	177
Entering Values.	178
Noise.	180
Other Problems.	182
Understanding Printer Messages.	182
Contacting Service.	193
Getting Help.	193
LCD Panel Messages.	193
Status Monitor Alerts.	193
Non Genuine Toner Mode.	194
The Operator Panel.	194
The Printer Setting Utility.	194

Chapter 8 **Maintenance**

Cleaning the Printer.	196
Cleaning Inside the Printer.	196
Cleaning the Color Toner Density (CTD) Sensor.	199
Replacing Toner Cartridges.	201
Overview.	201
Removing the Toner Cartridges.	202
Installing a Toner Cartridge.	204
Ordering Supplies.	205

Consumables.	206
When to Order Toner Cartridges.	206
Storing Consumables.	206
Managing the Printer.	207
Checking or Managing the Printer with EpsonNet Config.	207
Checking Printer Status with Status Monitor (Windows Only).	207
Checking Printer Status Through E-mail.	208
Conserving Supplies.	210
Checking Page Counts.	211
Moving the Printer.	212

Appendix A **Where To Get Help**

Contacting Epson Support.	216
Before Contacting Epson.	216
Help for Users in Europe.	216
Help for Users in Taiwan.	216
Help for Users in Singapore.	218
Help for Users in Thailand.	218
Help for Users in Vietnam.	219
Help for Users in Indonesia.	219
Help for Users in Hong Kong.	221
Help for Users in Malaysia.	221
Help for Users in India.	222
Help for Users in the Philippines.	223

Index

Preface

Copyright and Trademarks

No part of this publication may be reproduced, stored in a retrieval system, or transmitted in any form or by any means, mechanical, photocopying, recording, or otherwise, without the prior written permission of Seiko Epson Corporation. No patent liability is assumed with respect to the use of the information contained herein.

Neither is any liability assumed for damages resulting from the use of the information contained herein. Neither Seiko Epson Corporation nor its affiliates shall be liable to the purchaser of this product or third parties for damages, losses, costs, or expenses incurred by purchaser or third parties as a result of: accident, misuse, or abuse of this product or unauthorized modifications, repairs, or alterations to this product, or (excluding the U.S.) failure to strictly comply with Seiko Epson Corporation's operating and maintenance instructions.

Seiko Epson Corporation and its affiliates shall not be liable against any damages or problems arising from the use of any options or any consumable products other than those designated as Original Epson Products or Epson Approved Products by Seiko Epson Corporation.

Apple®, Bonjour®, ColorSync®, Macintosh®, and Mac OS® are trademarks of Apple Inc. in the United States and/or other countries.

Microsoft®, Windows Vista®, Windows®, and Windows Server® are trademarks of Microsoft Corporation in the United States and/or other countries.

EPSON is a registered trademark and EPSON AcuLaser is a trademark of Seiko Epson Corporation.

General Notice: Other product names used herein are for identification purposes only and may be trademarks of their respective owners. Epson disclaims any and all rights in those marks.

Copyright © 2011 Seiko Epson Corporation. All rights reserved.

Using This Guide

Conventions

1. In this guide, personal computers and workstations are collectively called “computers”.
2. The following terms are used throughout this guide:

Important:

Important information that must be read and followed.

Note:

Additional information that merits emphasis.

See Also:

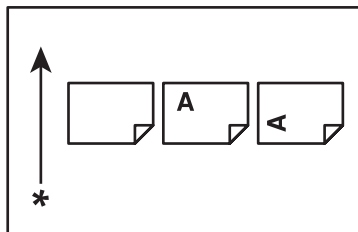
References within this guide.

3. Orientation of documents or paper is described in this guide as follows:

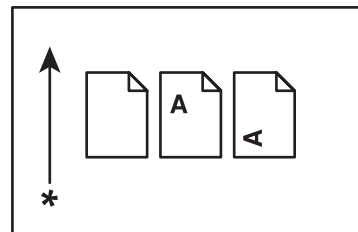
☐, ☐, Long Edge Feed (LEF): Loading the document or paper in portrait orientation.

☐, ☐, Short Edge Feed (SEF): Loading the document or paper in landscape orientation.

LEF Orientation



SEF Orientation



* Paper feed direction

Product Features

About the Epson AcuLaser C1750 Series

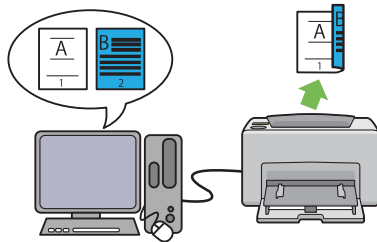
The Epson AcuLaser C1750 series consists of the following two products:

- ❑ Epson AcuLaser C1750N: Network capable model
- ❑ Epson AcuLaser C1750W: Wireless communication capable model

Features

This section describes the product features and indicates their links.

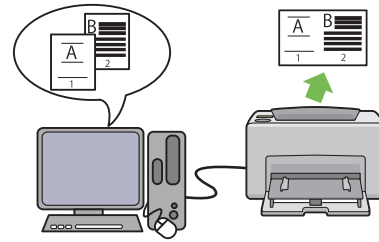
2 Sided Print (Manual)



2 Sided Print is to print two or more pages on the front and back sides of a single sheet of paper manually. This feature allows you to reduce the paper consumption.

For more information, see “Manual Duplex Printing (Windows Print Driver Only)” on page 111.

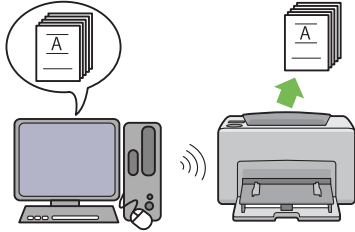
Multiple-Up Print



Multiple-Up enables you to print multiple pages on a single sheet of paper. This feature allows you to reduce the paper consumption.

For more information, see the print driver's Help.

Printing Through Wireless Connection (Wireless Print) (Epson AcuLaser C1750W Only)

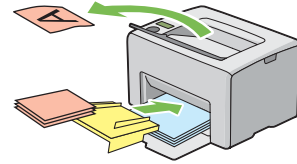


The Wireless LAN feature on your printer allows you to install the printer at any location, and enables printing without a wired connection to your computer.

The Wireless LAN feature is unavailable depending on the region you purchased.

For more information, see “Configuring Wireless Settings (Epson AcuLaser C1750W Only)” on page 39.

Priority Sheet Inserter (PSI)



Print media loaded on the PSI is given precedence over those loaded on the multipurpose feeder (MPF). Using the PSI allows you to use other types or sizes of print media preferentially over the regular print media loaded on the MPF.


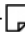
For more information, see “Loading Print Media in the Priority Sheet Inserter (PSI)” on page 105.

Chapter 1

Specifications

Specifications

This chapter lists the main specifications of the printer. Note that the specifications of the product may change without prior notice.

Items	Description
Product Code	Epson AcuLaser C1750N 220V: C11CB71021 Epson AcuLaser C1750N 110V: C11CB71031 Epson AcuLaser C1750W 220V: C11CB71041 Epson AcuLaser C1750W 110V: C11CB71051
Type	Desktop
Printing method	LED Xerography Important: LED + LED electrophotographic system
Fusing system	Thermal fusing system using a belt
Continuous print speed*1	A4  : When plain paper fed is from the multipurpose feeder Color 1 Sided*2: 12 sheets/min Monochrome 1 Sided: 15 sheets/min Important: *1 Print speed may decrease due to factors such as paper type, paper size, and printing conditions. *2 When continuously printing a single document of A4  .
Resolution	Data Processing Resolution: 600 × 600 dpi Output Resolution: 1200 × 2400 dpi
Tone/Color	256 tones/color (16.7 million colors)

Items	Description
Paper Size	<p>Multipurpose feeder:</p> <p>A4, B5, A5, Legal (8.5 × 14"), Folio (8.5 × 13"), Letter (8.5 × 11"), Executive, #10 Env, Monarch, DL, C5, Custom Size (Width: 76.2 – 215.9 mm, Length: 127 – 355.6 mm)</p> <p>Priority sheet inserter:</p> <p>A4, B5, A5, Legal (8.5 × 14"), Folio (8.5 × 13"), Letter (8.5 × 11"), Executive, #10 Env, Monarch, DL, C5, Custom Size (Width: 76.2 – 215.9 mm, Length: 190.5 – 355.6 mm)</p> <p>Image loss: 4.1 mm from the top, bottom, left, and right edges</p>
Paper Type	<p>Plain, Bond, Lightweight Cardstock, Lightweight Glossy Cardstock, Recycled, Labels, Envelope, Letterhead, Pre-Printed, Hole Punched, Colored, Special, Custom Type</p> <p>Important:</p> <ul style="list-style-type: none"> <input type="checkbox"/> Use only the recommended paper. Using paper other than that recommended for the printer can cause printing problems. Do not use special ink jet paper. <input type="checkbox"/> Note that poor printing quality due to paper-related printing problems can occur when using the printer in an environment that is dry, cold, or very humid. <input type="checkbox"/> Printing over the printed side or on the reverse side of paper that already has been printed on can result in poor print quality. <input type="checkbox"/> When printing on envelopes, use envelopes that do not have adhesive applied. <input type="checkbox"/> The type of paper being used and environmental conditions can affect printing quality. Because of this, it is recommended that you test print and confirm proper print quality before using the printer.
Paper capacity	<p>Standard:</p> <p>Multipurpose feeder: 150 sheets; Priority sheet inserter: 10 sheets</p>
Output tray capacity	Standard: approximately 100 sheets (face down)
2-sided Printing Feature	Standard (Manual)
Memory capacity	<p>Standard: 128 MB (Onboard)</p> <p>Important: The above memory capacity does not guarantee print quality depending on the type and content of print data.</p>
Hard disk	—
Page Description Language	— (Host-based)

Items	Description
Supported OS ^{*1}	<p>Windows® XP, Windows® XP x64 Edition, Windows Vista®, Windows Vista® x64 Edition, Windows Server® 2003, Windows Server® 2003 x64 Edition, Windows Server® 2008, Windows Server® 2008 x64 Edition, Windows Server® 2008 R2 x64 Edition, Windows® 7, Windows® 7 x64 Edition, Mac OS®^{*2}</p> <p>Important:</p> <p>*1 For the latest information about the supported operating systems, contact our Customer Support Center or your dealer.</p> <p>*2 Mac OS® X 10.3.9 – 10.6 are supported.</p>
Interface	<p>Epson AcuLaser C1750N: Standard: USB 1.1/2.0 (Hi-Speed), Ethernet (10Base-T, 100Base-TX)</p> <p>Epson AcuLaser C1750W: Standard: USB 1.1/2.0 (Hi-Speed), Ethernet (10Base-T, 100Base-TX), IEEE802.11b/g/n</p>
Supported protocol	TCP/IP (LPR, Port9100, WSD, HTTP, SMTP, RARP, AutoIP), SNMP, DHCP, BOOTP, Bonjour (mDNS)
Power	<p>AC 110 – 127 V ± 10%; 7 A; both 50/60 Hz ± 3 Hz</p> <p>AC 220 – 240 V ± 10%; 5 A; both 50/60 Hz ± 3 Hz</p>
Power consumption	<p>Maximum: 340 W, During Mode 2 of Power Saver Mode: 7 W or less</p> <p>Average:</p> <p>During standby: 69 W, During continuous color printing: 340 W, During continuous monochrome printing: 340 W</p> <p>Important:</p> <p>Mode 1 of Power Saver Mode: 14 W average (The printer does not use electricity when the power is switched off even with the power cord is plugged in.)</p>
Dimensions (main unit only)	<p>394 (W) × 304 (D)^{*1} × 234 (H) mm</p> <p>Important:</p> <p>*1 When the front cover is closed.</p>
Weight	Main Unit: 10.55 – 10.65 kg (main unit only, including toner cartridges)

Items	Description
Usage Environment	<p>During Use: Temperature: 10 – 32 °C; Humidity: 10 – 85% (except malfunctions due to dew condensation)</p> <p>Non-Use: Temperature: -20 – 40 °C; Humidity: 5 – 85% (except malfunctions due to dew condensation)</p> <p>Important: Until the conditions (temperature and humidity) inside the printer become acclimated to the installation environment, certain qualities of the paper can cause poor printing.</p>

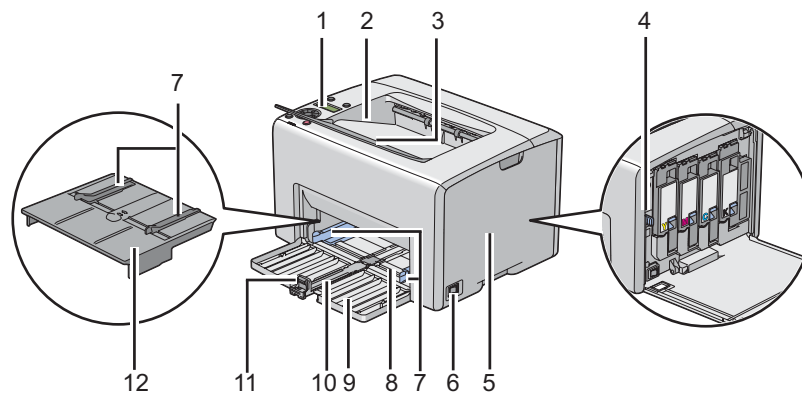
Chapter 2

Basic Operation

Main Components

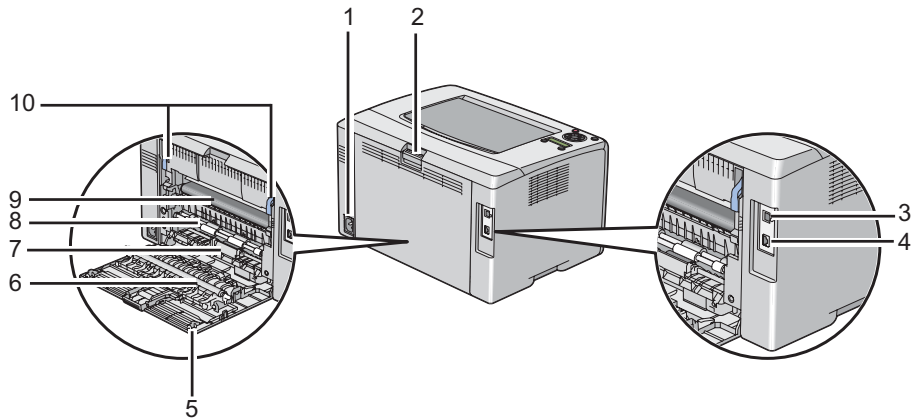
This section provides an overview of your Epson AcuLaser C1750 series.

Front View



1	Operator Panel	2	Center Output Tray
3	Output Tray Extension	4	Print Head Cleaning Rod
5	Toner Access Cover	6	Power Switch
7	Paper Width Guides	8	Multipurpose feeder (MPF)
9	Front Cover	10	Slide Bar
11	Length Guide	12	Priority Sheet Inserter (PSI)

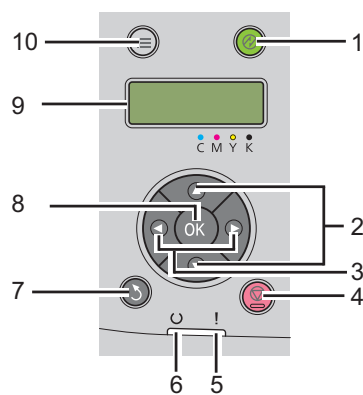
Rear View



1	Power Connector	2	Rear Cover Handle
3	USB Port	4	Ethernet Port
5	Rear Door	6	Transfer Roller
7	Paper Chute	8	Paper Feed Roller
9	Transfer Belt	10	Levers

Operator Panel

The operator panel has a liquid crystal display (LCD), buttons, and indicators.






1.  (**Energy Saver**) Button/Indicator

- Lights up in the Mode 2 for the Power Saver Mode. Press this button to exit the Power Saver Mode.
2. ▲ ▼ Buttons
 - Scrolls through menus or items in the Menu mode. To enter numbers or passwords, press these buttons.
 3. ◀ ▶ Buttons
 - Selects submenus or setting values in the Menu mode.
 4. ⏹ (**Cancel Job**) Button
 - Cancels the current print job.
 5. ! (**Error**) Indicator
 - Lights up when an error occurs and blinks when an unrecoverable error occurs.
 6. ○ (**Ready**) Indicator
 - Lights up when the printer is ready or the printer is in the Mode 1 for the Power Saver Mode and blinks when data is being received.
 7. ↶ (**Back**) Button
 - Switches to the print mode from the top menu of the Menu mode.
 - Returns to the upper hierarchy of the menu from the submenu of the Menu mode.
 8. Ⓞ (**OK**) Button
 - Displays the selected menu or item and determines the selected value in the Menu mode.
 9. LCD Panel
 - Displays various settings, instructions, and error messages.
 10. ≡ (**Menu**) Button
 - Moves to the top menu.

Printing a Panel Settings Page

The Panel Settings page shows current settings for the operator panel menus.

The Operator Panel

1. Press the  (**Menu**) button.
2. Select **Information Pgs**, and then press the  button.
3. Select **Panel Settings**, and then press the  button.

The Panel Settings page is printed.

The Printer Setting Utility

The following procedure uses Microsoft® Windows® XP as an example.

1. Click **start — All Programs — EPSON — EPSON Printer Software — EPSON AL-C1750N / EPSON AL-C1750W — Printer Setting Utility**.

Note:

The **Select Printer** window appears in this step, when multiple print drivers are installed on your computer. In this case, click the name of the desired printer listed in **Printer Name**.

The Printer Setting Utility appears.


2. Click the **Printer Settings Report** tab.
3. Select **Information Pages** from the list at the left side of the page.

The **Information Pages** page is displayed.

4. Click the **Panel Settings** button.

The Panel Settings page is printed.

Power Saver Mode


The printer has a power saving feature which reduces power consumption during periods of inactivity. This feature operates in two modes: Mode 1 and Mode 2. The power consumption of the printer in Mode 2 is lower than in Mode 1. As delivered, the printer switches to the Mode 1 five minutes after the last print job is printed. The printer then switches to the Mode 2 after another six minutes of inactivity. When the printer is in the Mode 1, the display shows *Ready/Standby*. In the Mode 2, all lamps on the operator panel except for the  (**Energy Saver**) button go out. The display also goes blank and displays nothing.

The factory default settings of five minutes (Mode 1) and six minutes (Mode 2) are changeable within the range of 5 to 30 minutes (Mode 1) and 1 to 6 minutes (Mode 2). The printer returns to the ready-to-print state in about 25 seconds when re-activated.



See Also:

“Setting the PowerSaver Time Option” on page 151

Exiting the Power Saver Mode

The printer automatically exits the Power Saver Mode when it receives a print job from a computer. To manually exit the Mode 1, press any button on the operator panel. To exit the Mode 2, press the  (**Energy Saver**) button.

Note:

- Opening and closing the rear door will cause the printer to exit the Mode 1.*
- When the printer is in the Mode 2, all buttons on the operator panel except for the  (**Energy Saver**) button do not function. To use the buttons on the operator panel, press the  (**Energy Saver**) button to exit the Power Saver Mode.*

See Also:

“Setting the PowerSaver Time Option” on page 151

Chapter 3

Printer Management Software

Print Driver

To access all of your printer's features, install the print driver from the *Software Disc*.

The print driver enables your computer and printer to communicate and provides access to your printer features.

See Also:

- ❑ “Installing Print Driver on Computers Running Windows” on page 34
- ❑ “Installing Print Driver on Computers Running Mac OS X” on page 83

EpsonNet Config

This section provides information on EpsonNet Config, a hyper text transfer protocol (HTTP)-based web page service that is accessed through your web browser.

These pages give you instant access to printer status, and printer configuration options. Anyone on your network can access the printer using their web browser software. In administrative mode you can change the configuration of the printer, and manage your printer settings without leaving your computer.

Note:

- ❑ *Users who are not given passwords by the administrator can still view the configuration settings and options in user mode. They will not be able to save or apply any changes to the current configuration.*
- ❑ *For details on the menu items of EpsonNet Config, refer to the Help on the Software Disc.*

Creating an Administrative Password

1. Launch your web browser.
2. Enter the IP address of the printer in the address bar, and then press the **Enter** key.

3. Click the **Properties** tab.
4. In the left navigation panel, scroll down to **Security** and select **Administrator Settings**.
5. Select **Enabled** for **Administrator Mode**.
6. In the **Administrator Login ID** field, enter a name for the administrator.

Note:

The default ID and password are both blank (NULL).

7. In the **Administrator Password** and **Re-enter Password** fields, enter a password for the administrator.
8. In the **Maximum Login Attempts** field, enter the number of login attempts allowed.
9. Click **Apply**. Your new password has been set and anyone with the administrator name and password can log in and change the printer configuration and settings.

Printer Setting Utility (Windows Only)

The Printer Setting Utility allows you to view or specify the system settings. You can also diagnose the system settings by using the Printer Setting Utility.

The Printer Setting Utility consists of the **Printer Settings Report**, **Printer Maintenance**, and **Diagnosis** tabs.

The Printer Setting Utility is installed with your Epson print driver.

Note:

*The **Password** dialog box appears the first time you try to change settings on Printer Setting Utility when Panel Lock is set on the printer. In this case, enter the password you specified, and click **OK** to apply the settings.*

Status Monitor (Windows Only)

You can check the printer status with Status Monitor. Double-click the Status Monitor printer icon on the taskbar at the bottom right of the screen. The **Select Printer** window appears, which displays the printer name, printer connection port, and printer status. Check the column **Status** to know the current status of your printer.

Status Setting button: Displays the **Status Settings** screen and allows you to modify the Status Monitor settings.

Click the name of the desired printer listed on the **Select Printer** window. The **Status Monitor** window appears.

The **Status Monitor** window alerts you when there is a warning or when an error occurs, for example, when a paper jam occurs or toner is running low.

By default, the **Status Monitor** window launches automatically when printing starts. You can specify the conditions for starting the **Status Monitor** window in **Auto start setup**.

To change the pop-up settings for the **Status Monitor** window:

The following procedure uses Microsoft® Windows® XP as an example.

1. Click **start** — **All Programs** — **EPSON** — **Status Monitor** — **Activate Status Monitor**.

The **Select Printer** window appears.

2. Click **Status Setting**.

The **Status Settings** dialog box appears.

3. Select the **Pop up setting** tab, and then select the type of the pop-up from **Auto start setup**.

You can also check the toner level of your printer and the job information on the **Status Monitor** window.

The Status Monitor is installed with your Epson print driver.

Launcher (Windows Only)

Using the **Launcher** window, you can open the **Status Window** and **Printer Setting Utility**.

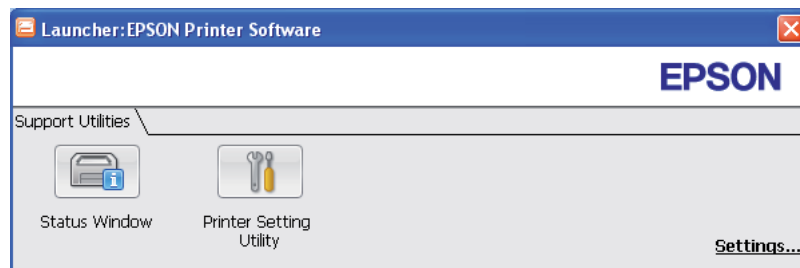
To use the **Launcher**, select to install the **Launcher** when you install the Epson print driver.

The following procedure uses Windows XP as an example.

To open the **Launcher** window:

1. Click **start** — **All Programs** — **EPSON** — **EPSON Printer Software** — **Launcher**.

The **Launcher** window appears.



2. The **Launcher** window provides two buttons; **Status Window** and **Printer Setting Utility**.

To exit, click the **X** button at the top-right of the window.

For details, click the **Help** button/icon of each application.

Status Window	Click to open the Status Monitor window. See also: "Status Monitor (Windows Only)" on page 22
Printer Setting Utility	Click to open the Printer Setting Utility. See also: "Printer Setting Utility (Windows Only)" on page 21

Chapter 4

Network Basics

Overview of Network Setup and Configuration

To set up and configure the network:

1. Connect the printer to the network using the recommended hardware and cables.
2. Turn on the printer and the computer.
3. Print the Printer Settings page and keep it for referencing network settings.
4. Install the driver software on the computer from the *Software Disc*. For information on driver installation, see the section in this chapter for the specific operating system you are using.
5. Configure the printer's TCP/IP address, which is required to identify the printer on the network.
 - Microsoft® Windows® operating systems: Run the Installer on the *Software Disc* to automatically set the printer's Internet Protocol (IP) address if you connect the printer to an established TCP/IP network. You can also manually set the printer's IP address on the operator panel.
 - Mac OS® X systems: Manually set the printer's TCP/IP address on the operator panel.
6. Print a Printer Settings page to verify the new settings.

See Also:

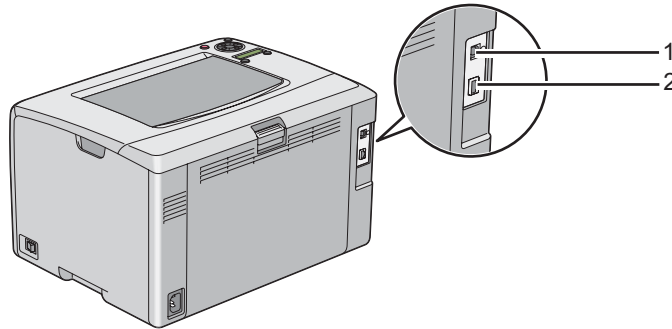
"Printing a Printer Settings Page" on page 125

Connecting Your Printer

Your Epson AcuLaser C1750 series interconnection cables must meet the following requirements:

Connection Type	Connection Specifications
Ethernet	10 Base-T/100 Base-TX compatible
USB	USB 1.1/2.0 compatible

Connection Type	Connection Specifications
Wireless (Epson AcuLaser C1750W only)	IEEE 802.11b/802.11g/802.11n



1	USB Port	
2	Ethernet Port	

Connecting Printer to Computer or Network

Connect the printer via Ethernet or USB. A USB connection is a direct connection and is not used for networking. An Ethernet connection is used for networking. Hardware and cabling requirements vary for the different connection methods. Ethernet cable and hardware are generally not included with your printer and must be purchased separately.

The available feature for each connection type is shown in the following table.

Connection Type	Available Feature
USB	When connected via USB, you can instruct print jobs from a computer.
Ethernet	When connected via Ethernet, you can instruct print jobs from a computer on the network.

USB Connection

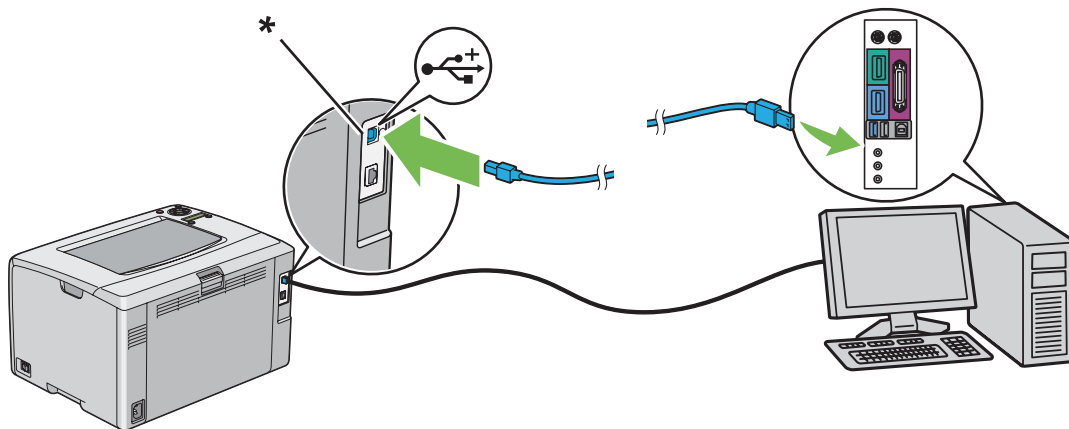
A local printer is a printer which is directly attached to your computer using the USB cable. If your printer is attached to a network instead of your computer, skip this section and go to “Network Connection” on page 27.

The following operating systems support USB connection:

- Windows XP
- Windows XP 64-bit Edition
- Windows Server® 2003
- Windows Server 2003 x64 Edition
- Windows Server 2008
- Windows Server 2008 64-bit Edition
- Windows Server 2008 R2
- Windows Vista®
- Windows Vista 64-bit Edition
- Windows 7
- Windows 7 64-bit Edition
- Mac OS X 10.3.9/10.4.11/10.5.8 -10.6

To attach the printer to a computer:

1. Ensure that the printer, computer, and any other attached devices are turned off and unplugged from the power source/outlet.
2. Connect the smaller USB connector into the USB port at the back of the printer and the other end of the cable into a USB port of the computer.



* USB port

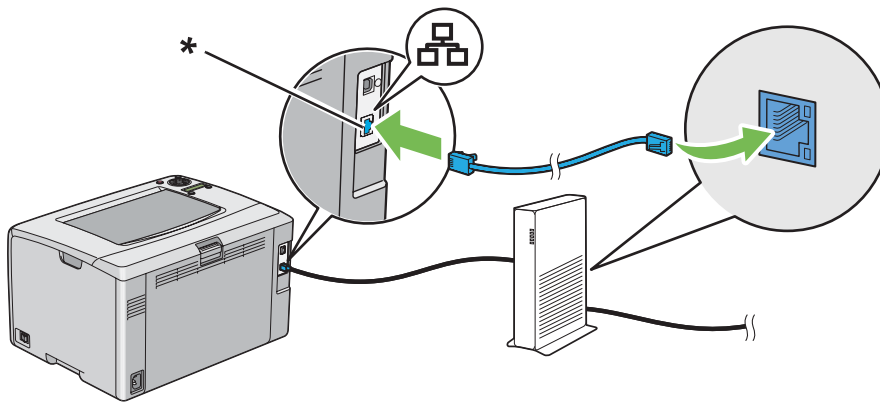
Note:

Do not connect the printer USB cable to the USB connector available on the keyboard.

Network Connection

To connect the printer to a network:

1. Ensure that the printer, computer and any other connected devices have been turned off and all cables have been disconnected.
2. Connect one end of an Ethernet cable into the Ethernet port at the rear of the printer, and the other end to a LAN drop or hub.



* Ethernet port

Note:

Connect the Ethernet cable, only if you need to setup a wired connection.

See Also:

“Configuring Wireless Settings (Epson AcuLaser C1750W Only)” on page 39

Setting the IP Address

TCP/IP and IP Addresses

If your computer is on a large network, contact your network administrator for the appropriate TCP/IP addresses and additional system settings information.

If you are creating your own small Local Area Network or connecting the printer directly to your computer using Ethernet, follow the procedure for automatically setting the printer's IP address.

Computers and printers primarily use TCP/IP protocols to communicate over an Ethernet network. With TCP/IP protocols, each printer and computer must have a unique IP address. It is important that the addresses are similar, but not the same; only the last digit needs to be different. For example, your printer can have the address 192.168.1.2 while your computer has the address 192.168.1.3. Another device can have the address 192.168.1.4.

Many networks have a Dynamic Host Configuration Protocol (DHCP) server. A DHCP server automatically programs an IP address into every computer and printer on the network that is configured to use DHCP. A DHCP server is built into most cable and Digital Subscriber Line (DSL) routers. If you use a cable or DSL router, see your router's documentation for information on IP addressing.

Automatically Setting the Printer's IP Address

If the printer is connected to a small established TCP/IP network without a DHCP server, use the installer on the *Software Disc* to detect or assign an IP address to your printer. For further instructions, insert the *Software Disc* into your computer's CD/DVD drive. After the Installer launches, follow the prompts for installation.

Note:

For the automatic installer to function, the printer must be connected to an established TCP/IP network.

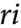
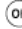

Dynamic Methods of Setting the Printer's IP Address

There are two protocols available for dynamically setting the printer's IP address:

- DHCP (enabled by default)
- AutoIP








You can turn on/off both protocols using the operator panel, or use EpsonNet Config to turn on/off DHCP.

Note:

*You can print a report that includes the printer's IP address. On the operator panel, press the  (**Menu**) button, select Information P_{age}, press the  button, select Printer Settings, and then press the  button. The IP address is listed on the Printer Settings page.*

Using the Operator Panel

To turn on/off either the DHCP or AutoIP protocol:

1. On the operator panel, press the  (**Menu**) button.
2. Select Admin Menu, and then press the  button.
3. Select Network Setup, and then press the  button.
4. Select TCP/IP, and then press the  button.
5. Select IPv4, and then press the  button.
6. Select Get IP Address, and then press the  button.
7. Select DHCP/AutoIP, and then press the  button.

Using EpsonNet Config

To turn on/off the DHCP protocol:

1. Launch your web browser.
2. Enter the IP address of the printer in the address bar, and then press the **Enter** key.
3. Select **Properties**.
4. Select **TCP/IP** from the **Protocol Settings** folder on the left navigation panel.
5. In the **Get IP Address** field, select the **DHCP / Autonet** option.
6. Click the **Apply** button.

Assigning an IP Address (for IPv4 Mode)

Note:









- ❑ When you assign an IP address manually in **IPv6** mode, use the *EpsonNet Config*. To display the *EpsonNet Config*, use the link local address. To check a link local address, see “Printing and Checking the Printer Settings Page” on page 33.
- ❑ Assigning an IP address is considered as an advanced function and is normally done by a system administrator.
- ❑ Depending on the address class, the range of the IP address assigned may be different. On Class A, for example, an IP address in the range from 0.0.0.0 to 127.255.255.255 will be assigned. For assignment of IP addresses, contact your system administrator.

You can assign the IP address by using the operator panel or using the Printer Setting Utility.

The Operator Panel

1. Turn on the printer.

Ensure that `Ready` message appears on the LCD panel.

2. On the operator panel, press the  (**Menu**) button.
3. Select `Admin Menu`, and then press the  button.
4. Select `Network Setup`, and then press the  button.
5. Select `TCP/IP`, and then press the  button.
6. Select `IPv4`, and then press the  button.
7. Select `Get IP Address`, and then press the  button.
8. Ensure that `Panel` is selected, and then press the  (**Back**) button.
9. Ensure that `Get IP Address` is selected.
10. Select `IP Address`, and then press the  button.

The cursor is located at the first digit of the IP address.

11. Enter the value of the IP address using the  or  button.

12. Press the **▶** button.

The next digit is selected.

13. Repeat steps 11 to 12 to enter all of the digits in the IP address, and then press the **OK** button.

14. Press the **↶** (**Back**) button, and then ensure that IP Address is selected.

15. Select Network Mask, and then press the **OK** button.

The cursor is located at the first digit of the network mask.

16. Enter the value of the network mask using the **▲** or **▼** button.

17. Press the **▶** button.

The next digit is selected.

18. Repeat steps 16 to 17 to set network mask, and then press the **OK** button.

19. Press the **↶** (**Back**) button, and then ensure that Network Mask is selected.

20. Select Gateway Address, and then press the **OK** button.

The cursor is located at the first digit of the gateway address.

21. Enter the value of the gateway address using the **▲** or **▼** button.

22. Press the **▶** button.

The next digit is selected.

23. Repeat steps 21 to 22 to set gateway address, and then press the **OK** button.

24. Turn off and turn on the printer.

See Also:

“Operator Panel” on page 16

The Printer Setting Utility

The following procedure uses Windows XP as an example.

Note:

When you use IPv6 mode for network printing, you cannot use the Printer Setting Utility to assign an IP address.

1. Click **start — All Programs — EPSON — EPSON Printer Software — EPSON AL-C1750N / EPSON AL-C1750W — Printer Setting Utility**.

Note:

The **Select Printer** window appears in this step, when multiple print drivers are installed on your computer. In this case, click the name of the desired printer listed in **Printer Name**.

The Printer Setting Utility appears.

2. Click the **Printer Maintenance** tab.
3. Select **TCP/IP Settings** from the list at the left side of the page.

The **TCP/IP Settings** page is displayed.

4. Select the mode from **IP Address Mode**, and then enter the values in **IP Address**, **Network Mask**, and **Gateway Address**.
5. Click the **Restart printer to apply new settings** button to take effect.

The IP address is assigned to your printer. To verify the setting, display the web browser on any computer connected to the network and enter the IP address into the address bar on the browser. If the IP address is set up correctly, the EpsonNet Config displays in your browser.

You can also assign the IP address to the printer when installing the print drivers with installer. When you use the network installation feature, and the `Get IP Address` is set to `DHCP/AutoIP` on the operator panel menu, you can set the IP address from `0.0.0.0` to the desired IP address on the printer selection window.

Verifying the IP Settings

The following procedure uses Windows XP as an example.

1. Print the Printer Settings page.
2. Look under the **IPv4** heading on the Printer Settings page to ensure that the IP address, network mask, and gateway address are appropriate.

To verify if the printer is active on the network, run the ping command in your computer:

1. Click **start**, and select **Run**.
2. Enter **cmd**, and then click **OK**.

A black window is displayed.

3. Enter **ping xx.xx.xx.xx** (where **xx.xx.xx.xx** is the IP address of your printer), and then press the **Enter** key.
4. Reply from the IP address denotes printer is active on the network.




See Also:

“Printing and Checking the Printer Settings Page” on page 33

Printing and Checking the Printer Settings Page

Print the Printer Settings page and check your printer's IP address.

The Operator Panel

1. Press the  (**Menu**) button.
2. Select **Information Page**, and then press the  button.
3. Select **Printer Settings**, and then press the  button.

The Printer Settings page is printed.

4. Confirm the IP address next to **IP Address** under **Network Setup** on the Printer Settings page. If the IP address is **0.0.0.0**, wait for a few minutes to resolve the IP address automatically, and then print the Printer Settings page again.

If the IP address is not resolved automatically, see “Assigning an IP Address (for IPv4 Mode)” on page 30.

The Printer Setting Utility

The following procedure uses Windows XP as an example.

1. Click **start** — **All Programs** — **EPSON** — **EPSON Printer Software** — **EPSON AL-C1750N / EPSON AL-C1750W** — **Printer Setting Utility**.

Note:

The **Select Printer** window appears in this step, when multiple print drivers are installed on your computer. In this case, click the name of the desired printer listed in **Printer Name**.

The Printer Setting Utility appears.

2. Click the **Printer Settings Report** tab.
3. Select **Information Pages** from the list at the left side of the page.

The **Information Pages** page is displayed.

4. Click the **Printer Settings** button.

The Printer Settings page is printed.

If the IP address is **0.0.0.0** (the factory default) or **169.254.xx.xx**, an IP address has not been assigned.

See Also:

“Assigning an IP Address (for IPv4 Mode)” on page 30



Installing Print Driver on Computers Running Windows

Identifying Print Driver Pre-install Status (for Network Connection Setup)

Before installing the print driver on your computer, print the Printer Settings page to check the IP address of your printer.

The following procedure uses Windows XP as an example.

The Operator Panel

1. Press the  (**Menu**) button.
2. Select **Information Pgs**, and then press the  button.

3. Select **Printer Settings**, and then press the **OK** button.

The Printer Settings page is printed.

4. Find the IP address under **Network Setup/Wireless Setup** on the Printer Settings page.

If the IP address is **0.0.0.0**, wait for a few minutes to resolve the IP address automatically, and then print the Printer Settings page again.

If the IP address is not resolved automatically, see “Assigning an IP Address (for IPv4 Mode)” on page 30.

The Printer Setting Utility

1. Click **start — All Programs — EPSON — EPSON Printer Software — EPSON AL-C1750N / EPSON AL-C1750W — Printer Setting Utility**.

Note:

The **Select Printer** window appears in this step, when multiple print drivers are installed on your computer. In this case, click the name of the desired printer listed in **Printer Name**.

The Printer Setting Utility appears.

2. Select **TCP/IP Settings** from the list on the left side of the page.

The **TCP/IP Settings** page appears.

If the IP address shows **0.0.0.0** (the factory default) or **169.254.xx.xx**, an IP address has not been assigned. To assign one for your printer, see “Assigning an IP Address (for IPv4 Mode)” on page 30.

Disabling the Firewall Before Installing Your Printer

Note:

For Windows XP, Service Pack 2 or 3 must be installed.

If you are running one of the following operating systems, you must disable the firewall before installing the Epson printer software:

- Windows 7
- Windows Vista

- ❑ Windows Server 2008 R2
- ❑ Windows Server 2008
- ❑ Windows XP

The following procedure uses Windows XP as an example.

1. Click **start** — **Help and Support**.

Note:

*For Windows Vista, Windows Server 2008, Windows Server 2008 R2 and Windows 7 operating systems, if you use **Online Help**, switch to **Offline Help** on **Windows Help and Support** window.*

2. In the **Search** box, enter **firewall** and then press the **Enter** key.

In the list, click **Turn Windows Firewall on or off** and then follow the instructions on the screen.

Enable the firewall after the installation of the Epson printer software is complete.

USB Connection Setup

The following procedure uses Windows XP as an example.

When the Printer is Connected to Computer With a USB Cable

1. Insert the *Software Disc* into your computer's CD/DVD drive.

Note:

*If the Software Disc does not automatically launch, click **Start** (**start** for Windows XP) — **All Programs** (for Windows Vista and Windows 7) — **Accessories** (for Windows Vista and Windows 7) — **Run**, and then enter **D:\setup.exe** (where D is the drive letter of your computer), and then click **OK**.*

2. Turn on the printer.

Note:

*If **Found New Hardware Wizard** appears, click **Cancel** at this time.*

3. Click **Easy Install**.

The **SOFTWARE LICENSE AGREEMENT** appears.

4. If you agree to the terms of the **SOFTWARE LICENSE AGREEMENT**, select **Agree** and then click **Next**.

The **Easy Install Navi** launches.

5. Click **Installing Drivers and Software**.
6. Select **Personal Installation (USB)**, and then click **Next**.
7. Follow the on-screen instructions.

The Plug and Play installation starts and the installation software proceeds to the next page automatically.

8. Click **Finish** to exit the wizard.

When the Printer is not Connected to Computer With a USB Cable

1. Turn off the printer.
2. Insert the *Software Disc* into your computer's CD/DVD drive.

Note:

*If the Software Disc does not automatically launch, click **Start** (start for Windows XP) — **All Programs** (for Windows Vista and Windows 7) — **Accessories** (for Windows Vista and Windows 7) — **Run**, and then enter **D:\setup.exe** (where D is the drive letter of your computer), and then click **OK**.*

3. Click **Easy Install**.

The **SOFTWARE LICENSE AGREEMENT** appears.

4. If you agree to the terms of the **SOFTWARE LICENSE AGREEMENT**, select **Agree** and then click **Next**.

The **Easy Install Navi** launches.

5. Click **Installing Drivers and Software**.
6. Select **Personal Installation (USB)**, and then click **Next**.

7. Follow the on-screen instructions to connect the computer and the printer with the USB cable, and then turn on the printer.
8. Click **Finish** to exit the wizard.
9. Proceed the Plug and Play installation.

USB Printing

A personal printer is a printer attached to your computer or a print server using a USB. If your printer is attached to a network and not your computer, see “Network Connection Setup” on page 38.

Network Connection Setup

1. Insert the *Software Disc* into your computer's CD/DVD drive.

Note:

*If the Software Disc does not automatically launch, click **Start** (start for Windows XP) — **All Programs** (for Windows Vista and Windows 7) — **Accessories** (for Windows Vista and Windows 7) — **Run**, and then enter **D:\setup.exe** (where D is the drive letter of your computer), and then click **OK**.*

2. Click **Easy Install**.

The **SOFTWARE LICENSE AGREEMENT** appears.

3. If you agree to the terms of the **SOFTWARE LICENSE AGREEMENT**, select **Agree** and then click **Next**.

The **Easy Install Navi** launches.

4. Click **Installing Drivers and Software**.
5. Select **Network Installation**, and then click **Next**.
6. Select the printer you want to install from the printer list, and then click **Next**. If the target printer is not displayed on the list, click **Refresh** to refresh the list or click **Manually add using IP address** to add a printer to the list manually. You may specify the IP address and port name at this point.

If you have installed this printer on the server computer, select **I am setting up this printer on a server** check box.

Note:

When using AutoIP, **0.0.0.0** is displayed in the installer. Before you can continue, you must enter a valid IP address.

7. Specify the printer settings, and then click **Next**.
 - a Enter the printer name.
 - b If you want other users on the network to access this printer, select **Share this printer with other computers on the network**, and then enter a share name that users can identify.
 - c If you want to set a printer as the default, select the **Set this printer as default** check box.
8. Select the software and documentation you want to install, and then click **Install**. You can specify folders in which to install the software and documentation. To change the folders, click **Browse**.
9. Click **Finish** to exit the wizard when the “Congratulations!” screen appears. If necessary, click **Print Test Page** to print a test page.

Configuring Wireless Settings (Epson AcuLaser C1750W Only)

This section describes how to configure wireless settings through **Easy Install Navi**.

Important:

- The Wireless LAN feature is unavailable depending on the region you purchased.*
- Be sure to get the SSID and security information from a system administrator in advance when you use other than WPS to configure wireless settings.*

The specifications of wireless setting function are described below:

Item	Specification
Connectivity	Wireless
Connectivity Standard	IEEE 802.11b/g/n compliant
Bandwidth	2.4 GHz

Item	Specification
Data Transfer Rate	IEEE 802.11b mode: 11, 5.5, 2, 1 Mbps IEEE 802.11g mode: 54, 48, 36, 24, 18, 12, 9, 6 Mbps IEEE 802.11n mode: 65 Mbps
Security	64 (40-bit key)/ 128 (104-bit key) WEP, WPA-PSK (TKIP, AES), WPA2-PSK (AES) (IEEE802.1x attestation function of WPA 1x non-corresponds)
Certifications	Wi-Fi, WPA2.0 (Personal)
Wi-Fi Protected Setup (WPS)	Push Button Configuration (PBC), Personal Identification Number (PIN)

You can select a method to configure a wireless setting from the following:

Wizard Setup Through USB Connection	
Advanced Setup Through	Ethernet connection
	Operator Panel
	EpsonNet Config
	WPS-PIN*1
	WPS-PBC*2

*1 WPS-PIN (Wi-Fi® Protected Setup-Personal Identification Number) is a method to authenticate and register devices required for wireless configuration, by entering PIN assignments in the printer and computer. This setting, performed through access point, is available only when the access points of your wireless router supports WPS.

*2 WPS-PBC (Wi-Fi Protected Setup-Push Button Configuration) is a method to authenticate and register devices required for wireless configuration, by pressing the button provided on the access point via wireless routers, and then performing WPS-PBC setting on the operator panel. This setting is available only when the access point supports WPS.

Note:

For information on how to install a wireless, see “Using Wizard Setup to Configure Wireless Settings” on page 40 or “Using Advanced Setup to Configure Wireless Settings” on page 47.

Using Wizard Setup to Configure Wireless Settings

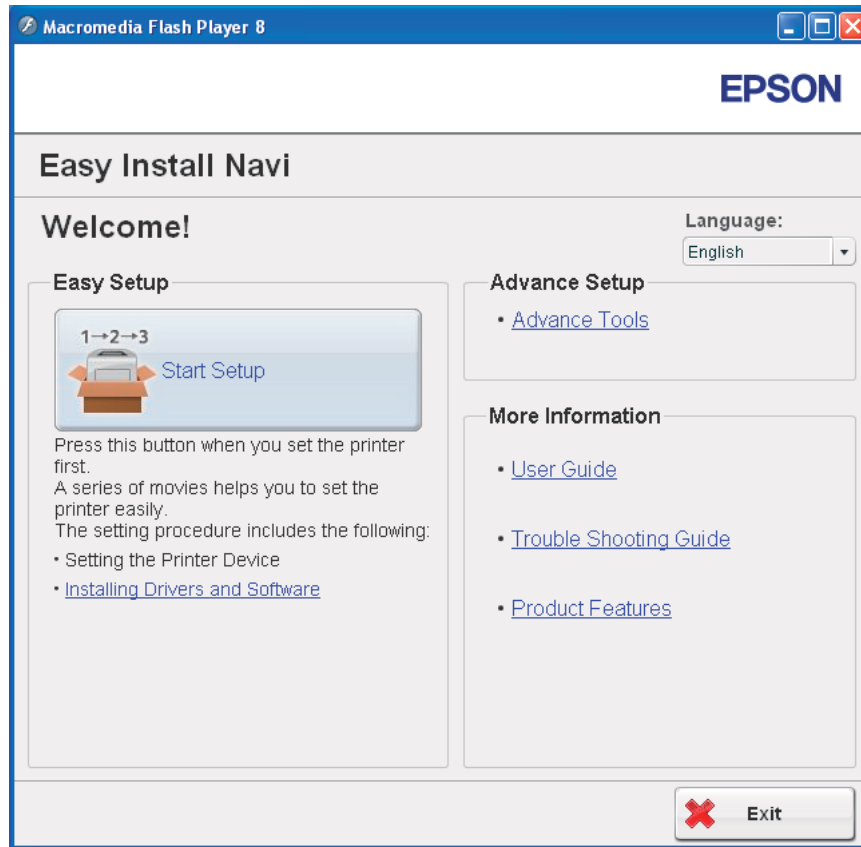
The following procedure uses Windows XP as an example.

1. Insert the *Software Disc* provided with the printer in your computer.
2. Click **Easy Install**.

The **SOFTWARE LICENSE AGREEMENT** appears.

3. If you agree to the terms of the **SOFTWARE LICENSE AGREEMENT**, select **Agree** and then click **Next**.

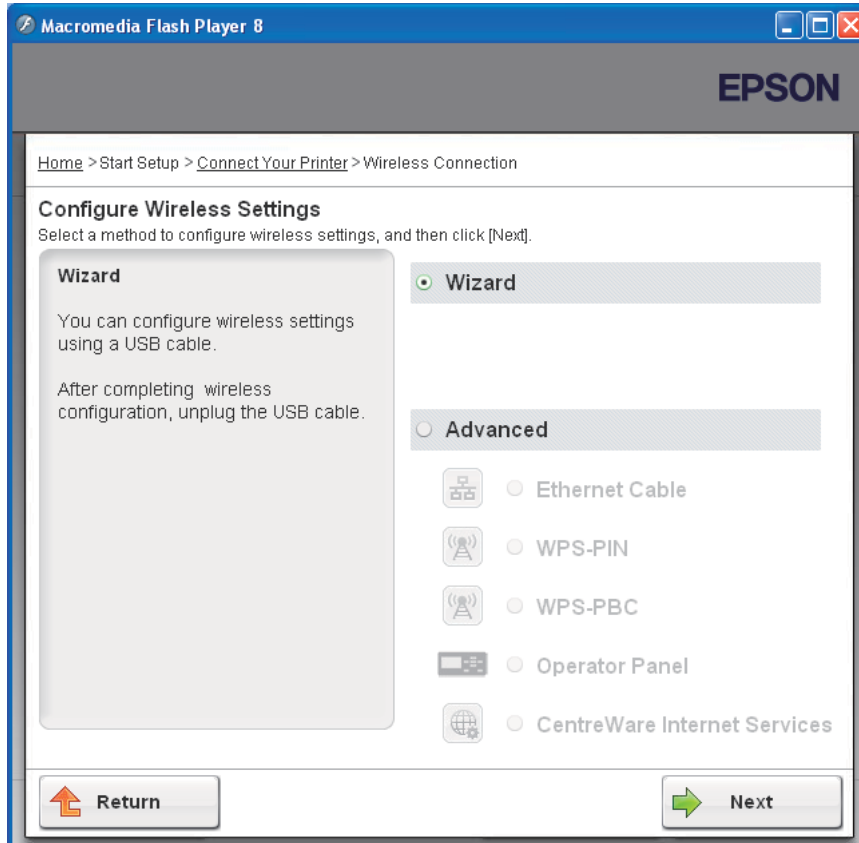
The **Easy Install Navi** launches.



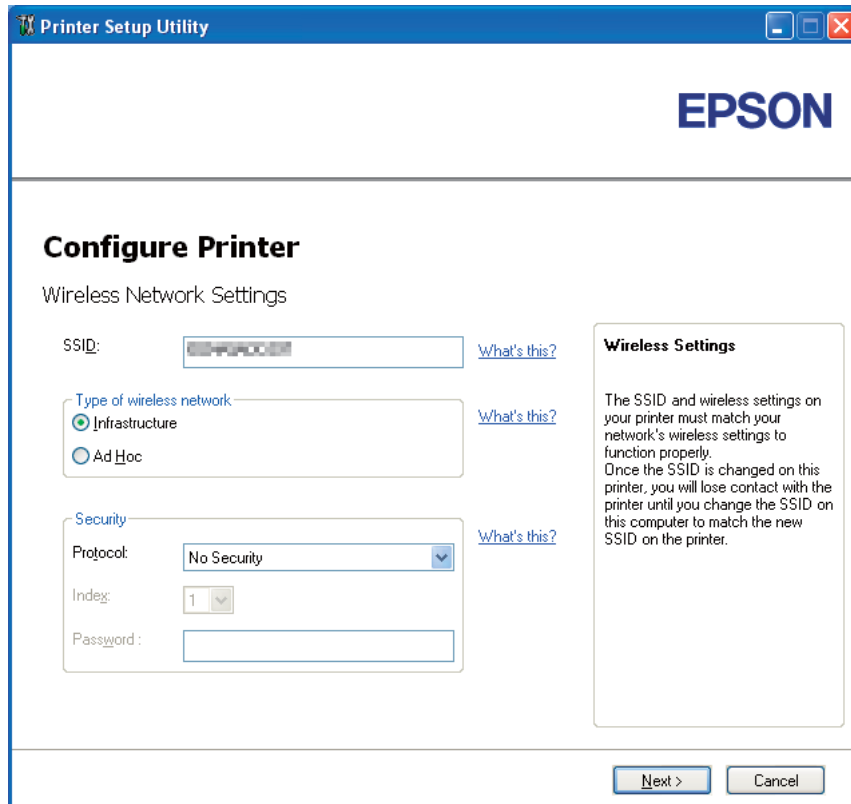
4. Click **Start Setup**.
5. Click **Connect Your Printer**.
Select your type of connection screen appears.
6. Select **Wireless Connection**, and then click **Next**.

The setting method selection window appears.

7. Ensure that **Wizard** is selected, and then click **Next**.



8. Enter the SSID.



9. Select **Type of wireless network**.
10. Configure the security setting, and then click **Next**.

The **IP Address Settings** screen appears.

11. Select **IP Mode** depending on your network scheme.

When **IPv4** is selected:

- ❑ Configure the following:
 - a Select **Type**.

b Enter the following items:

- IP Address** of your printer
- Network Mask**
- Gateway Address**

When **IPv6** is selected:

- Configure the following:
 - a Select **Use Manual Address**.
 - b Enter IP address of your printer.
 - c Enter the gateway address of your network.

When **Dual Stack** is selected:

Configure the **IPv4 Settings** and **IPv6 Settings**.

The screenshot shows the 'Printer Setup Utility' window with the 'Configure Printer' section. The 'IP Address Settings' are configured as follows:

- IP Mode:** Dual Stack (selected)
- IPv4 Settings:**
 - Type: DHCP (selected)
 - IP Address: 0 . 0 . 0 . 0
 - Network Mask: 255 . 0 . 0 . 0
 - Gateway Address: 0 . 0 . 0 . 0
- IPv6 Settings:**
 - Use Manual Address (selected)
 - IP Address: [] / 64
 - Gateway Address: []

IP Address Settings help text:

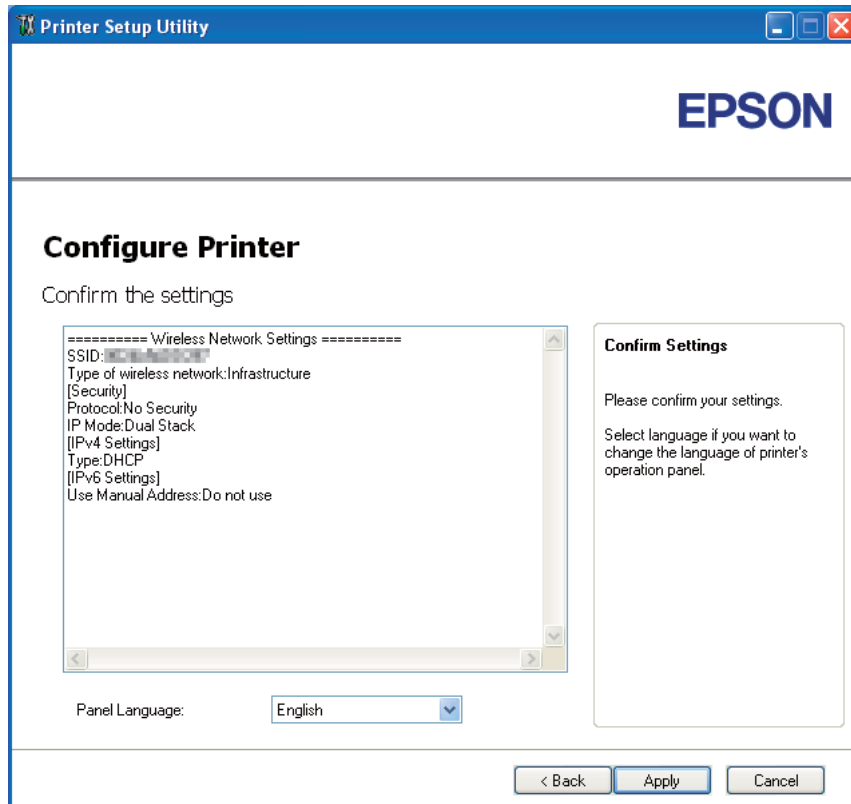
In case of IPv4, Choose DHCP if a server, router, or other device automatically assigns IP addresses to devices on the network.

In case of IPv6, If IP address are assigned manually, click the check box and enter an existing IP address.

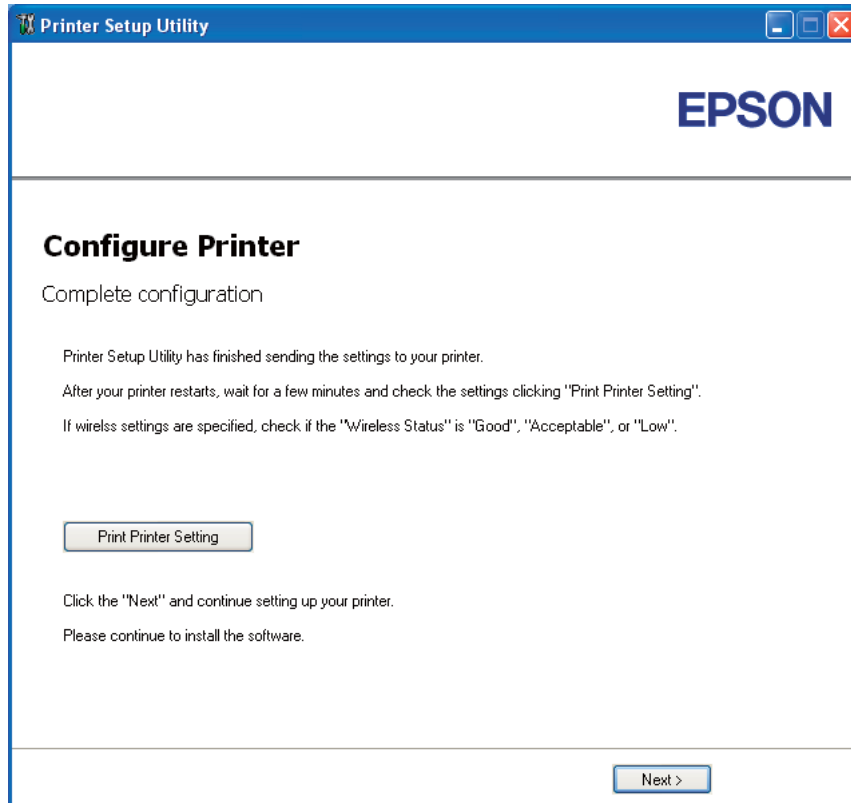
Navigation buttons: < Back, Next >, Cancel

12. Click **Next**.

13. Ensure that the wireless settings are displayed, and then click **Apply**.



The **Complete configuration** screen appears.



14. Wait a few minutes until the printer restarts to establish the wireless network.
15. Click **Print Printer Setting**.
16. Confirm that “Wireless Status” is shown as “Good”, “Acceptable” or “Low” on the report.

Note:

When “Wireless Status” is “No Reception”, check if the wireless settings are correctly configured. To reconfigure the wireless settings, click **Next** on the **Complete configuration** screen and then click **Return**.

17. Follow the instructions until the **Check Setup** screen appears.
18. Confirm there are no errors displayed on the LCD panel, and then click **Start Installation**.

If you see any errors, click **Trouble Shooting Guide** and follow the instruction.

19. Check if the printer to be installed is listed in the **Select Printer** screen, and then click **Next**.

Note:

If the printer to be installed is not listed in the **Select Printer** screen, try the following steps:

- Click **Refresh** to update the information.
- Click **Manually add using IP address**, and then enter the details of the printer manually.

20. Select the required items on the **Enter Printer Settings** screen, and then click **Next**.

21. Select the software to be installed, and then click **Install**.

The “Congratulations!” screen appears.

22. Click **Finish** to exit this tool.

The wireless configuration is complete.

Using Advanced Setup to Configure Wireless Settings

To use the Advanced setup, display the Configure Wireless Settings screen.

The following procedure uses Windows XP as an example.

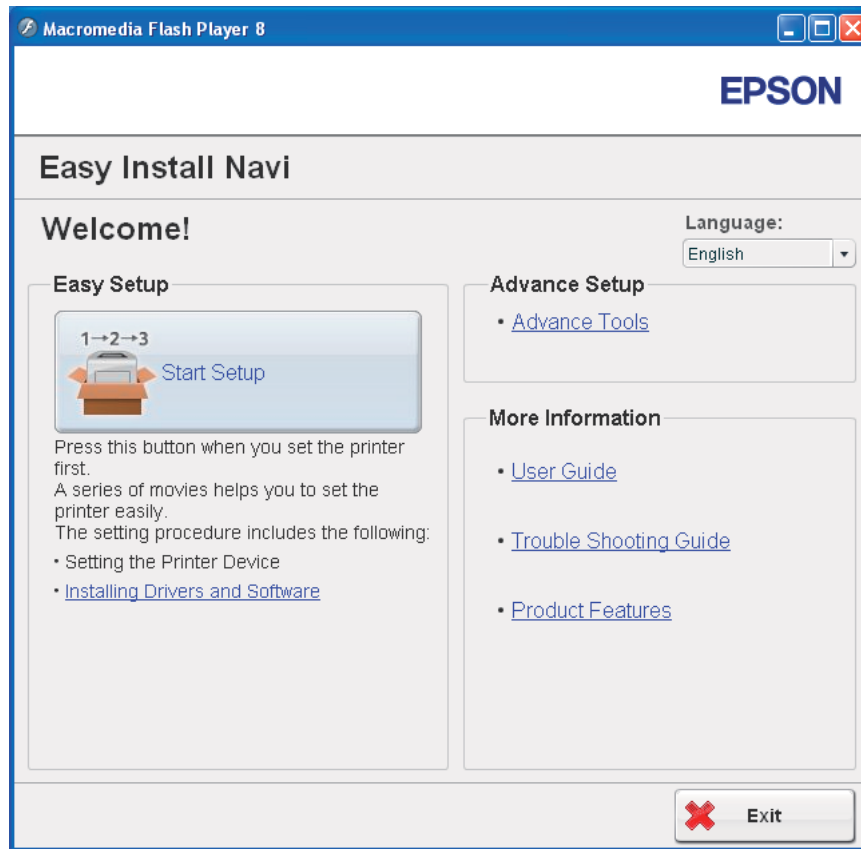
Displaying Configure Wireless Settings Screen

1. Insert the *Software Disc* provided with the printer in your computer.
2. Click **Easy Install**.

The **SOFTWARE LICENSE AGREEMENT** appears.

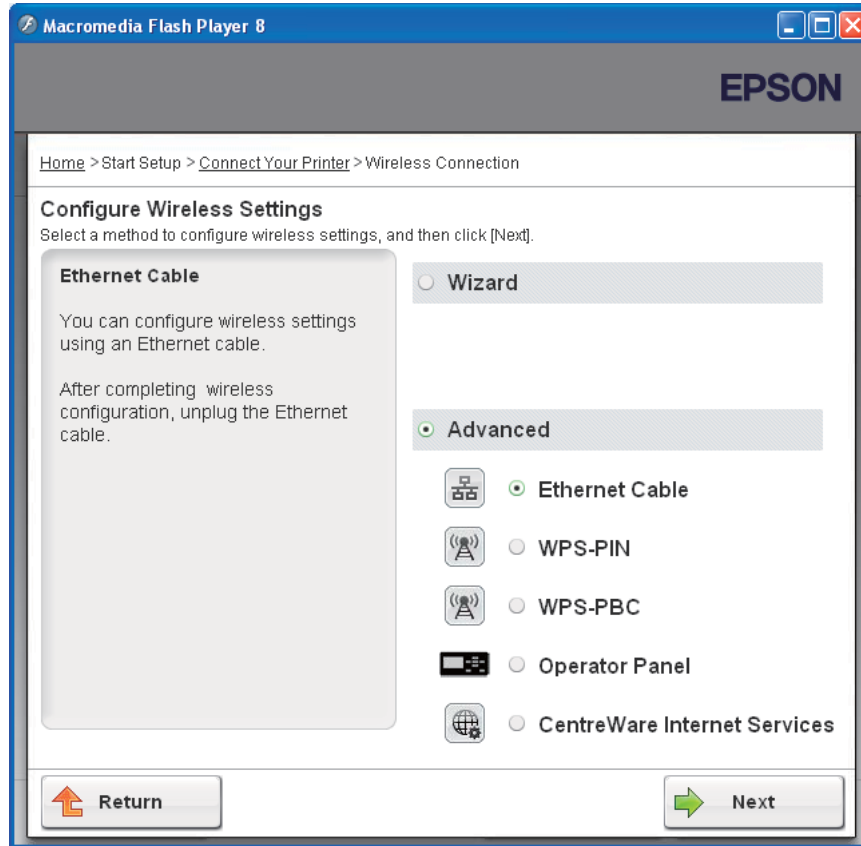
3. If you agree to the terms of the **SOFTWARE LICENSE AGREEMENT**, select **Agree** and then click **Next**.

The **Easy Install Navi** launches.



4. Click **Start Setup**.
5. Click **Connect Your Printer**.
6. Select **Wireless Connection**, and then click **Next**.

The setting method selection window appears.

7. Select **Advanced**.

Select a connection method from the following

- “Ethernet Cable” on page 49
- “WPS-PIN” on page 56
- “WPS-PBC” on page 57
- “Operator Panel” on page 59
- “EpsonNet Config” on page 60

Ethernet Cable

1. Select **Ethernet Cable**, and then click **Next**.
2. Follow the instructions, and then click **Next**.

The **Printer Setup Utility** screen appears.

3. Select the printer to be configured in the **Select Printer** screen, and then click **Next**.

Note:

If the printer to be configured is not listed in the **Select Printer** screen, try the following steps:

- Click **Refresh** to update the information.
- Click **Enter IP Address**, and then enter the IP address of your printer.

4. Enter the SSID.

5. Select **Type of wireless network**.
6. Configure the security setting, and then click **Next**.

The **IP Address Settings** screen appears.

7. Select **IP Mode** depending on your network scheme.

When **IPv4** is selected:

- Configure the following:
 - a Select **Type**.
 - b Enter the following items:
 - IP Address** of your printer
 - Network Mask**
 - Gateway Address**

When **IPv6** is selected:

- Configure the following:
 - a Select **Use Manual Address**.
 - b Enter IP address of your printer.
 - c Enter the gateway address of your network.

When **Dual Stack** is selected:

Configure the **IPv4 Settings** and **IPv6 Settings**.

The screenshot shows the 'Printer Setup Utility' window with the 'Configure Printer' section. The 'IP Address Settings' are configured as follows:

- IP Mode:** Dual Stack (dropdown menu)
- IPv4 Settings:**
 - Type:** DHCP (dropdown menu)
 - IP Address:** 0 . 0 . 0 . 0
 - Network Mask:** 255 . 0 . 0 . 0
 - Gateway Address:** 0 . 0 . 0 . 0
- IPv6 Settings:**
 - Use Manual Address
 - IP Address:** [] / 64
 - Gateway Address:** []

IP Address Settings (Informational text):

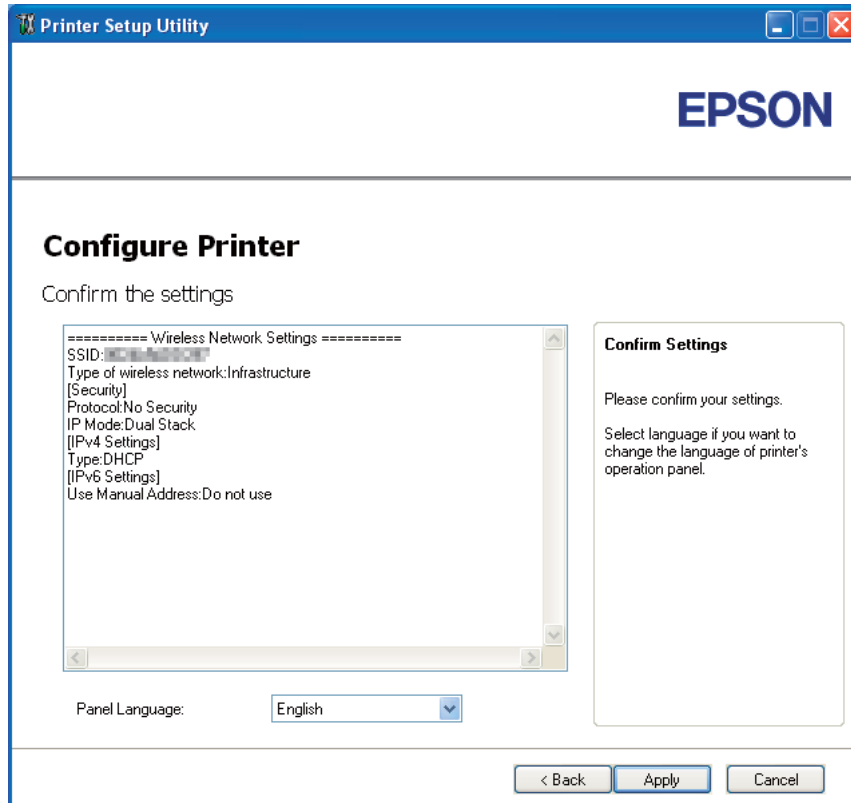
In case of IPv4, Choose DHCP if a server, router, or other device automatically assigns IP addresses to devices on the network.

In case of IPv6, If IP address are assigned manually, click the check box and enter an existing IP address.

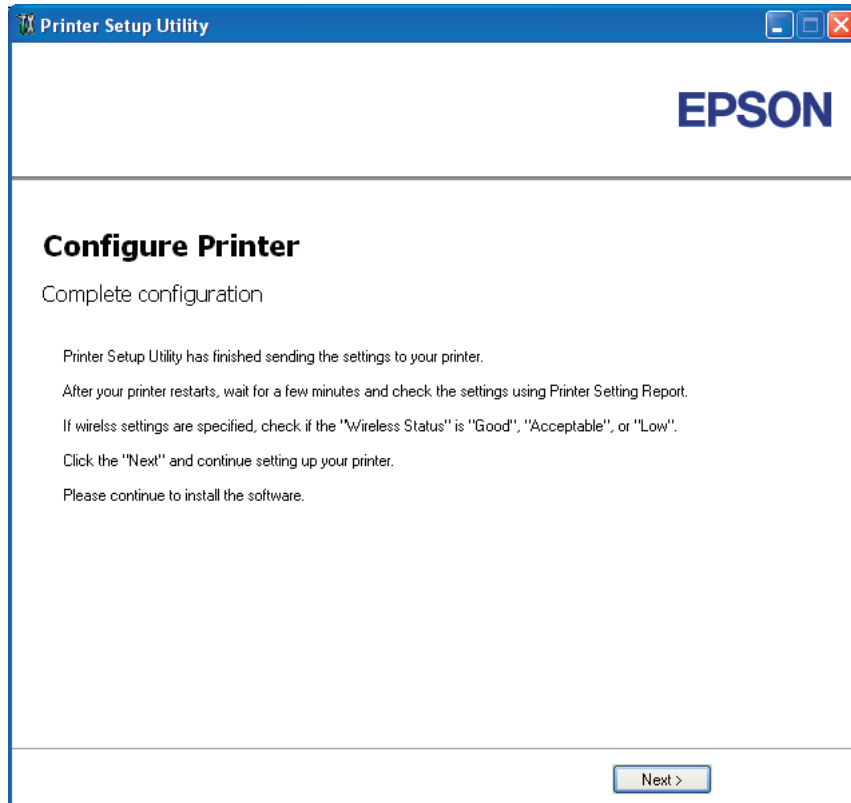
Buttons at the bottom: < Back, Next >, Cancel

8. Click **Next**.

9. Ensure that the wireless settings are displayed, and then click **Apply**.



The **Complete configuration** screen appears.



10. Wait a few minutes until the printer restarts to establish the wireless network.

11. Print a Printer Settings page from the operator panel.

See “Printing a Printer Settings Page” on page 125.

12. Confirm that “Wireless Status” is shown as “Good”, “Acceptable” or “Low” on the report.

Note:

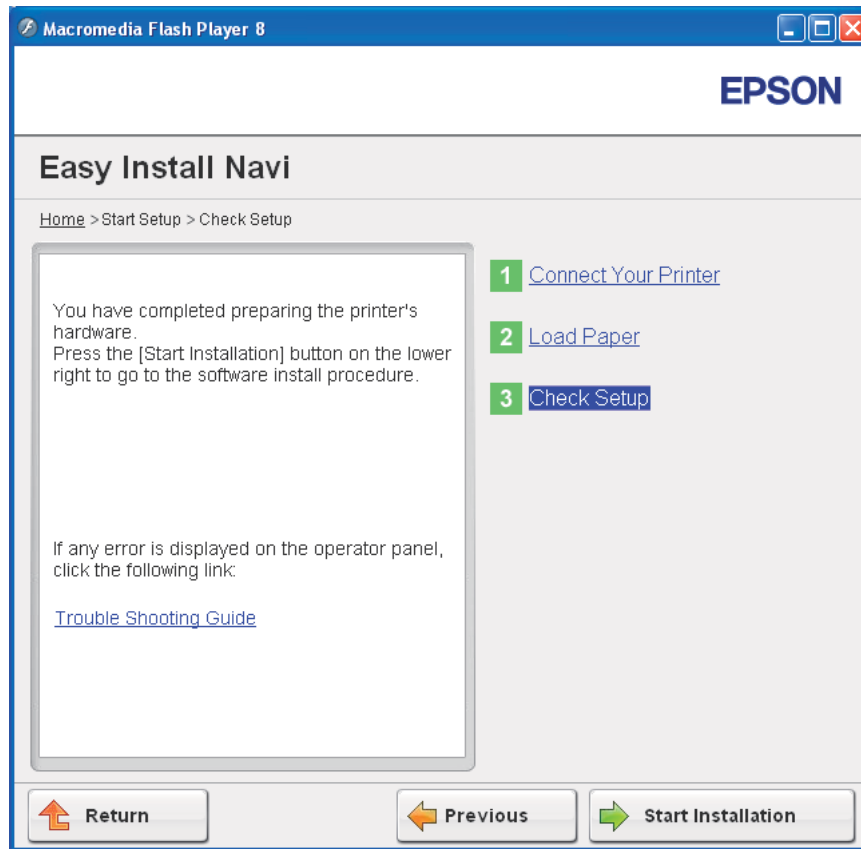
When “Wireless Status” is “No Reception”, check if the wireless settings are correctly configured. To reconfigure the wireless settings, click **Next** on the **Complete configuration** screen and then click **Return**.

13. Click **Next**.

14. Follow the instructions until the **Check Setup** screen appears.

15. Confirm there are no errors displayed on the LCD panel, and then click **Start Installation**.

If you see any errors, click **Trouble Shooting Guide** and follow the instruction.



16. Check if the printer to be installed is listed in the **Select Printer** screen, and then click **Next**.

Note:

*If the printer to be installed is not listed in the **Select Printer** screen, try the following steps:*

- Click **Refresh** to update the information.
- Click **Manually add using IP address**, and then enter the details of the printer manually.

17. Configure the required items on the **Enter Printer Settings** screen, and then click **Next**.

18. Select the software to be installed, and then click **Install**.

The “Congratulations!” screen appears.

19. Click **Finish** to exit this tool.

The wireless configuration is complete.

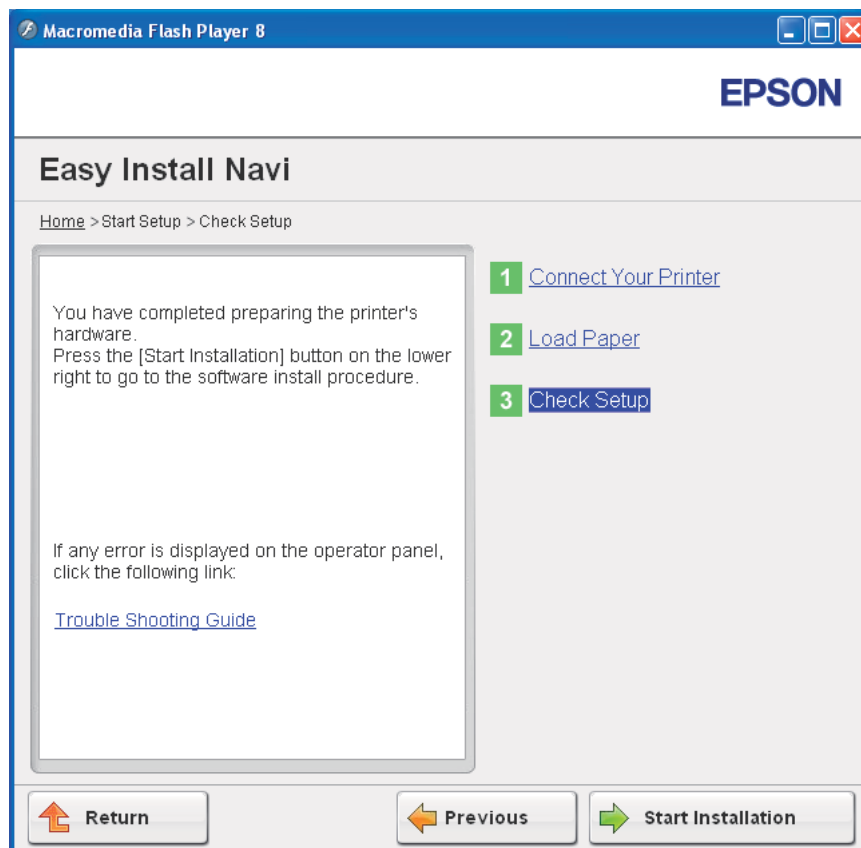
WPS-PIN

Note:

WPS-PIN (Wi-Fi Protected Setup-Personal Identification Number) is a method to authenticate and register devices required for wireless configuration, by entering PIN assignments to a printer and computer. This setting, performed through access point, is available only when the access points of your wireless router supports WPS.

1. Select **WPS-PIN**, and then click **Next**.
2. Follow the instructions until the **Check Setup** screen appears.
3. Confirm there are no errors displayed on the LCD panel, and then click **Start Installation**.

If you see any errors, click **Trouble Shooting Guide** and follow the instruction.



4. Check if the printer to be installed is listed in the **Select Printer** screen, and then click **Next**.

Note:

*If the printer to be installed is not listed in the **Select Printer** screen, try the following steps:*

- Click **Refresh** to update the information.
 - Click **Manually add using IP address**, and then enter the details of the printer manually.
5. Configure the required items on the **Enter Printer Settings** screen, and then click **Next**.
 6. Select the software to be installed, and then click **Install**.

The “Congratulations!” screen appears.

7. Click **Finish** to exit this tool.

The wireless configuration is complete.

When the **WPS-PIN** operation is successful and the printer is rebooted, wireless LAN connection is completed.

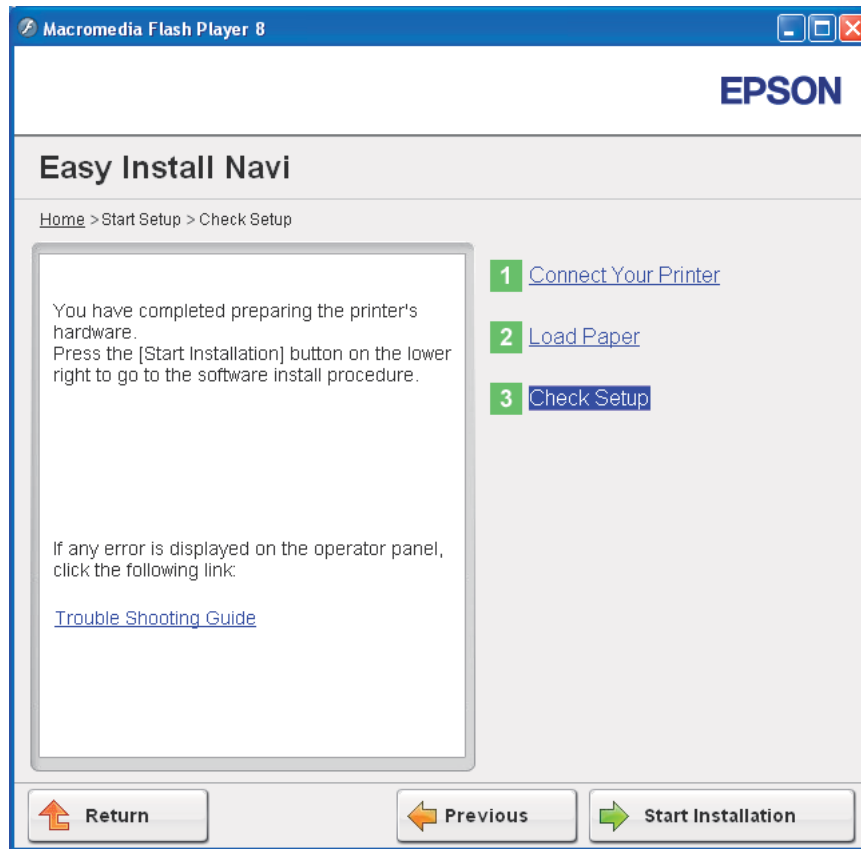
WPS-PBC

Note:

WPS-PBC (Wi-Fi Protected Setup-Push Button Configuration) is a method to authenticate and register devices required for wireless configuration, by pressing the button provided on the access point via wireless routers, and then performing WPS-PBC setting on the operator panel. This setting is available only when the access point supports WPS.

1. Select **WPS-PBC**, and then click **Next**.
2. Follow the instructions until the **Check Setup** screen appears.
3. Confirm there are no errors displayed on the LCD panel, and then click **Start Installation**.

If you see any errors, click **Trouble Shooting Guide** and follow the instruction.



4. Check if the printer to be installed is listed in the **Select Printer** screen, and then click **Next**.

Note:

*If the printer to be installed is not listed in the **Select Printer** screen, try the following steps:*

- Click **Refresh** to update the information.
 - Click **Manually add using IP address**, and then enter the details of the printer manually.
5. Configure the required items on the **Enter Printer Settings** screen, and then click **Next**.
 6. Select the software to be installed, and then click **Install**.

The “Congratulations!” screen appears.

7. Click **Finish** to exit this tool.

The wireless configuration is complete.

Note:

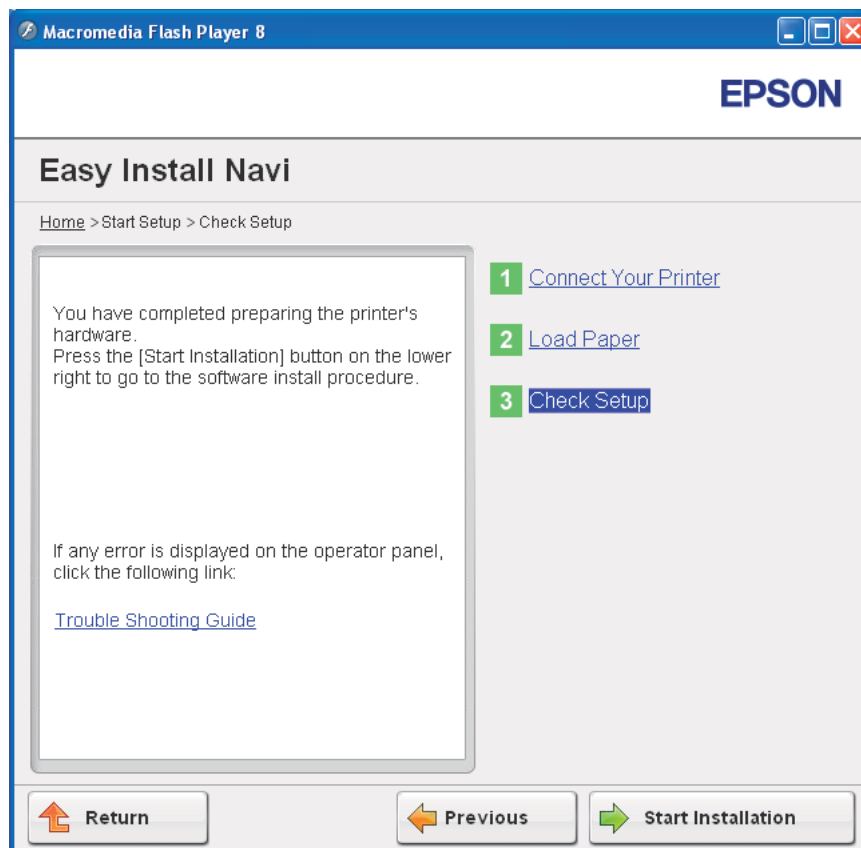
For **WPS-PBC** operation on the wireless LAN access point, refer to the manual supplied with the wireless LAN access point.

When the **WPS-PBC** operation is successful and the printer is rebooted, wireless LAN connection is completed.

Operator Panel

1. Select **Operator Panel**, and then click **Next**.
2. Follow the instructions until the **Check Setup** screen appears.
3. Confirm there are no errors displayed on the LCD panel, and then click **Start Installation**.

If you see any errors, click **Trouble Shooting Guide** and follow the instruction.



4. Check if the printer to be installed is listed in the **Select Printer** screen, and then click **Next**.

Note:

*If the printer to be installed is not listed in the **Select Printer** screen, try the following steps:*

- Click **Refresh** to update the information.
 - Click **Manually add using IP address**, and then enter the details of the printer manually.
5. Configure the required items on the **Enter Printer Settings** screen, and then click **Next**.
 6. Select the software to be installed, and then click **Install**.

The “Congratulations!” screen appears.

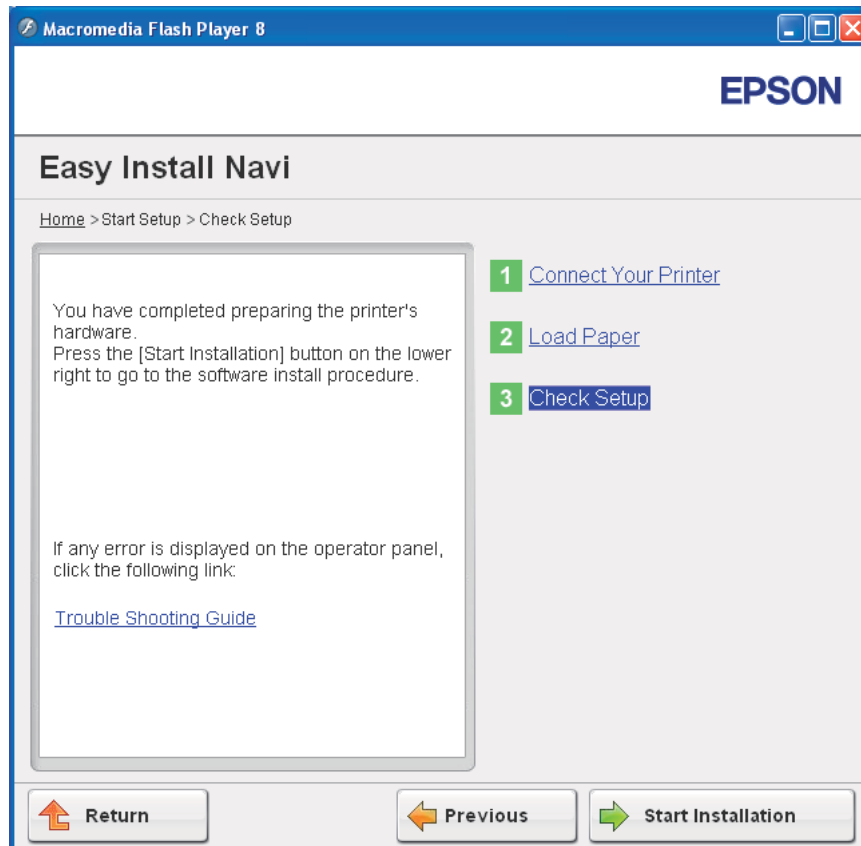
7. Click **Finish** to exit this tool.

The wireless configuration is complete.

EpsonNet Config

1. Select **EpsonNet Config**, and then click **Next**.
2. Follow the instructions until the **Check Setup** screen appears.
3. Confirm there are no errors displayed on the LCD panel, and then click **Start Installation**.

If you see any errors, click **Trouble Shooting Guide** and follow the instruction.



4. Check if the printer to be installed is listed in the **Select Printer** screen, and then click **Next**.

Note:

If the printer to be installed is not listed in the **Select Printer** screen, try the following steps:

- Click **Refresh** to update the information.
 - Click **Manually add using IP address**, and then enter the details of the printer manually.
5. Configure the required items on the **Enter Printer Settings** screen, and then click **Next**.
 6. Select the software to be installed, and then click **Install**.

The “Congratulations!” screen appears.

7. Click **Finish** to exit this tool.

The wireless configuration is complete.

When the EpsonNet Config operation is successful and the printer is rebooted, wireless LAN connection is completed.

Setting up a New Wireless Network Environment for Your Computer (When You Need to Setup Your Wireless Connectivity With Your Computer)

For DHCP Network:

1. Setting up your computer for wireless connectivity:

Note:

You can also change the wireless settings using the wireless application that may be installed in your computer.

For Windows XP and Windows Server 2003:

- a Select **Network Connections** from **Control Panel**.
- b Right-click **Wireless Network Connection** and select **Properties**.
- c Select the **Wireless Networks** tab.
- d Ensure that the check box for **Use Windows to configure my wireless network settings** is selected.

Note:

*Make note of the wireless settings on the **Advanced** window (step f) and the **Wireless network properties** window (step h). You may require these settings later.*

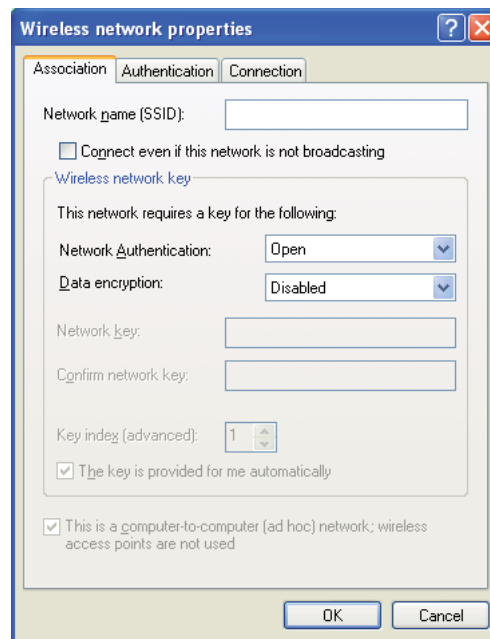
- e Click the **Advanced** button.
- f Select **Computer-to-computer (ad hoc) networks only** and close the **Advanced** dialog box.
- g Click the **Add** button to display **Wireless network properties**.

- h On the **Association** tab, enter the following information and click **OK**.

Network name (SSID): xxxxxxxx (xxxxxxx indicates a wireless device's SSID which you use)

Network Authentication: Open

Data encryption: Disabled



- i Click the **Move up** button to move the newly added SSID to the top of the list.
- j Click **OK** to close the **Wireless Network Connection Properties** dialog box.

For Windows Vista:




- a Display **Control Panel**.
- b Select **Network and Internet**.
- c Select **Network and Sharing Center**.
- d Select **Connect to a network**.

- e Select **xxxxxxxx** (xxxxxxxx indicates a wireless device's SSID which you use) from the network items listed in the available network list, and click **Connect**.
- f Click **Close** in the dialog box after confirming the connection is a success.

For Windows Server 2008:

- a Display **Control Panel**.
- b Select **Network and Internet**.
- c Select **Network and Sharing Center**.
- d Select **Connect to a network**.
- e Select **xxxxxxxx** (xxxxxxxx indicates a wireless device's SSID which you use) from the network items listed in the available network list, and click **Connect**.
- f Click **Close** in the dialog box after confirming the connection is a success.

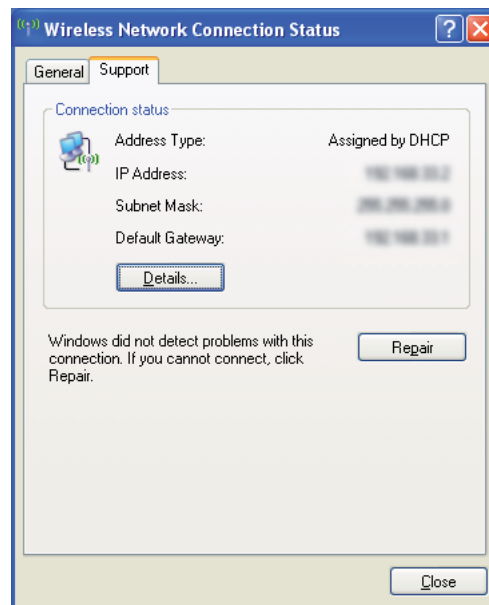
For Windows Server 2008 R2 and Windows 7:

- a Display **Control Panel**.
 - b Select **Network and Internet**.
 - c Select **Network and Sharing Center**.
 - d Select **Connect to a network**.
 - e Select **xxxxxxxx** (xxxxxxxx indicates a wireless device's SSID which you use) from the network items listed in the available network list, and click **Connect**.
2. Check the IP address assigned by AutoIP on the printer.
- a On the operator panel, press the  (**Menu**) button.
 - b Select Admin Menu, and then press the  button.
 - c Select Network Setup, and then press the  button.

- d Select TCP/IP, and then press the **OK** button.
- e Select IPv4, and then press the **OK** button.
- f Select IP Address, and then press the **OK** button.
(Default IP address range: 169.254.xxx.yyy)

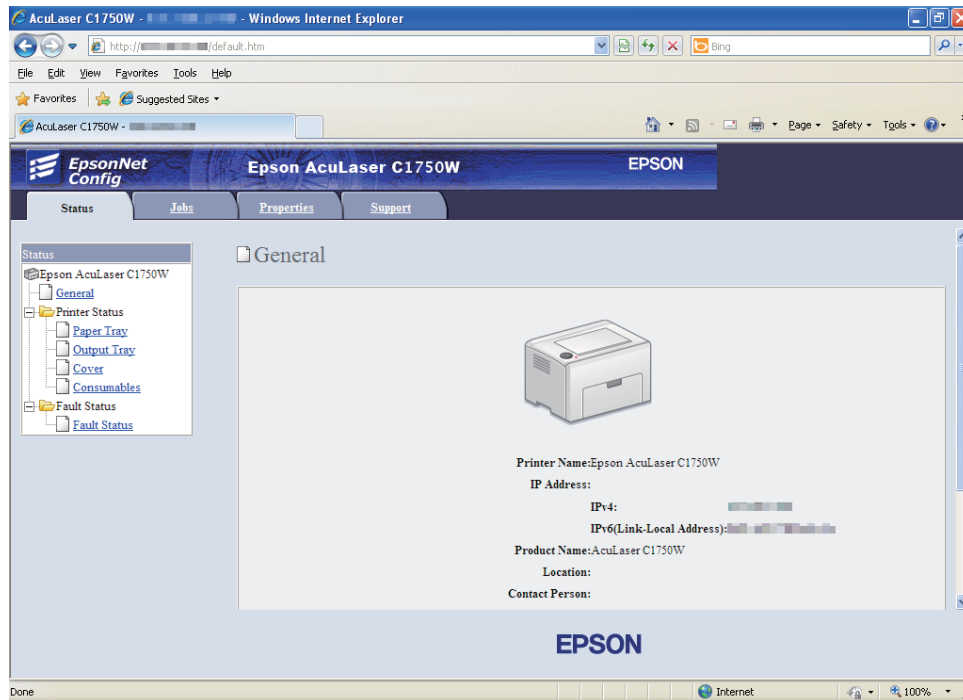
IP Address 169.254.000.041*

3. Ensure that the IP Address on your computer is assigned by DHCP.



4. Launch your web browser.
5. Enter the IP address of the printer in the address bar, and then press the **Enter** key.

EpsonNet Config page appears.



6. Create wireless setting of the printer on EpsonNet Config.
7. Reboot the printer.
8. Restore the wireless settings on your computer.

Note:

If the operating system on your computer provides a wireless configuration software, use it to change the wireless settings. See the instructions below.

For Windows XP and Windows Server 2003:

- a. Select **Network Connections** from **Control Panel**.
- b. Right-click **Wireless Network Connection** and select **Properties**.
- c. Select **Wireless Networks** tab.
- d. Ensure that the check box for **Use Windows to configure my wireless network settings** is selected.

- e Click **Advanced**.
- f You can either set the printer to the ad-hoc mode or the infrastructure mode.
 - For Ad hoc mode:
Select **Computer-to-computer (ad hoc) networks only** and close the dialog box.
 - For Infrastructure mode:
Select **Access point (Infrastructure) networks only** and close the dialog box.
- g Click **Add** to display **Wireless network properties**.
- h Enter the setting that you will send to the printer and click **OK**.
- i Click **Move up** to move the setting to the top of the list.
- j Click **OK** to close the **Wireless Network Connection Properties** dialog box.

For Windows Vista:

- a Display **Control Panel**.
- b Select **Network and Internet**.
- c Select **Network and Sharing Center**.
- d Select **Connect to a network**.
- e Select the network, and then click **Connect**.
- f Click **Close** in the dialog box after confirming the connection is a success.

For Windows Server 2008:

- a Display **Control Panel**.
- b Select **Network and Internet**.
- c Select **Network and Sharing Center**.
- d Select **Connect to a network**.

- e Select the network, and then click **Connect**.
- f Click **Close** in the dialog box after confirming the connection is a success.

For Windows Server 2008 R2 and Windows 7:

- a Display **Control Panel**.
- b Select **Network and Internet**.
- c Select **Network and Sharing Center**.
- d Select **Connect to a network**.
- e Select the network, and then click **Connect**.

For Fixed IP Networks:

1. Set up your computer for wireless connectivity:

Note:

If the operating system on your computer provides a wireless configuration software, use it to change the wireless settings. See the instructions below.

For Windows XP and Windows Server 2003:

- a Select **Network Connections** from **Control Panel**.
- b Right-click **Wireless Network Connection** and select **Properties**.
- c Select the **Wireless Networks** tab.
- d Ensure that the check box for **Use Windows to configure my wireless network settings** is selected.

Note:

Be sure to write down the current wireless computer settings in step f and step h so that you can restore them later.

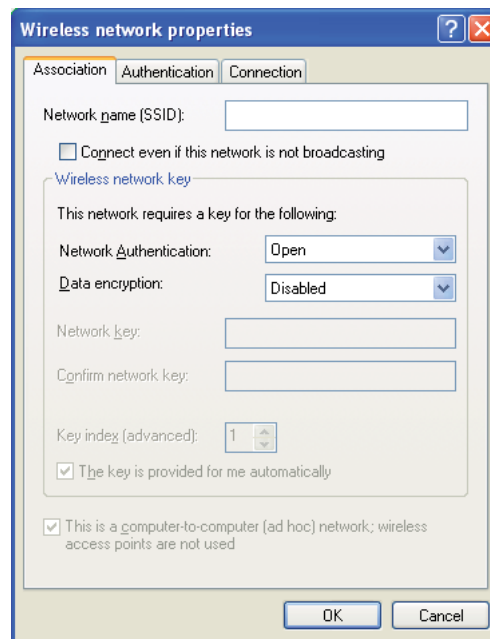
- e Click the **Advanced** button.

- f Select **Computer-to-computer (ad hoc) networks only** and close the **Advanced** dialog box.
- g Click the **Add** button to display **Wireless network properties**.
- h On the **Association** tab, enter the following information and click **OK**.

Network name (SSID): xxxxxxxx (xxxxxxx indicates a wireless device's SSID which you use)

Network Authentication: Open

Data encryption: Disabled



- i Click the **Move up** button to move the newly added SSID to the top of the list.
- j Click **OK** to close the **Wireless Network Connection Properties** dialog box.

For Windows Vista:

- a Display **Control Panel**.

- b Select **Network and Internet**.
- c Select **Network and Sharing Center**.
- d Select **Connect to a network**.
- e Select **xxxxxxxx** (xxxxxxxx indicates a wireless device's SSID which you use) from the network items listed in the available network list, and click **Connect**.
- f Click **Close** in the dialog box after confirming the connection is a success.

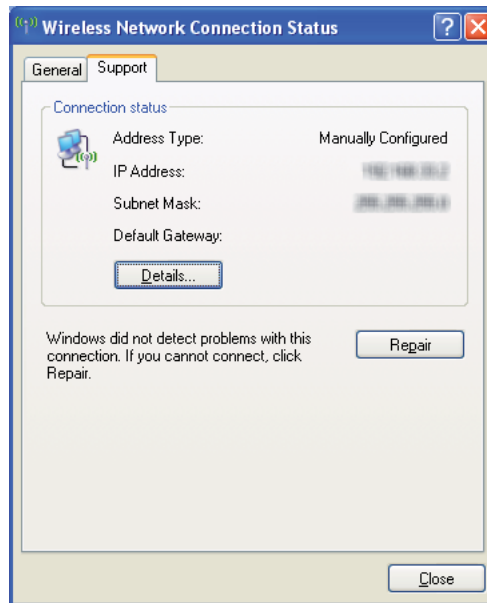
For Windows Server 2008:

- a Display **Control Panel**.
- b Select **Network and Internet**.
- c Select **Network and Sharing Center**.
- d Select **Connect to a network**.
- e Select **xxxxxxxx** (xxxxxxxx indicates a wireless device's SSID which you use) from the network items listed in the available network list, and click **Connect**.
- f Click **Close** in the dialog box after confirming the connection is a success.

For Windows Server 2008 R2 and Windows 7:

- a Display **Control Panel**.
- b Select **Network and Internet**.
- c Select **Network and Sharing Center**.
- d Select **Connect to a network**.
- e Select **xxxxxxxx** (xxxxxxxx indicates a wireless device's SSID which you use) from the network items listed in the available network list, and click **Connect**.

2. Check the IP address on your computer.

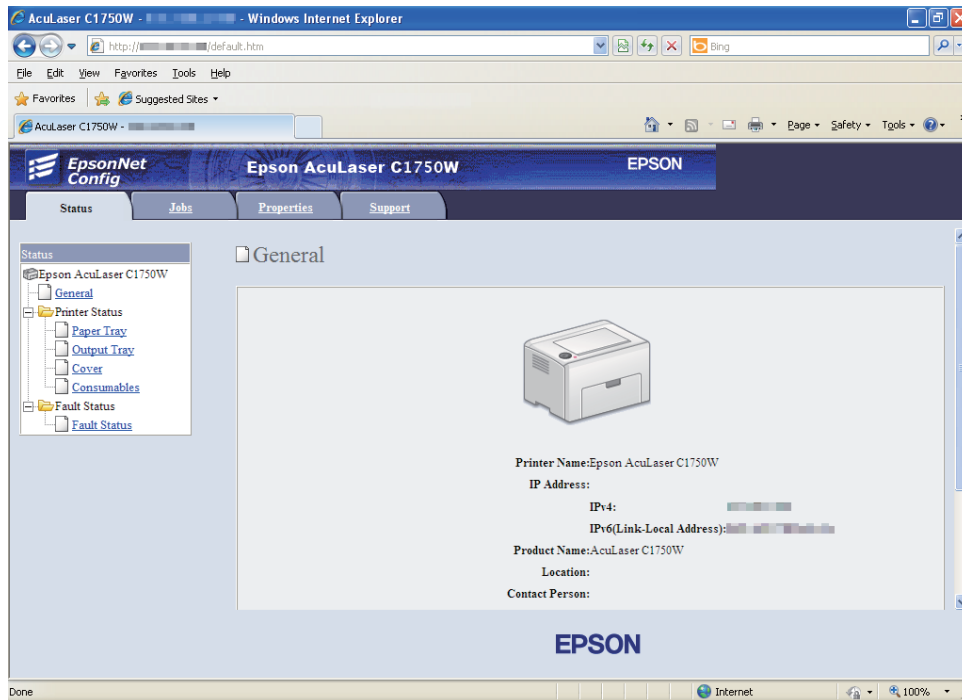


3. Set the IP address on the printer.

See “Assigning an IP Address (for IPv4 Mode)” on page 30.

4. Launch your web browser.
5. Enter the IP address of the printer in the address bar, and then press the **Enter** key.

EpsonNet Config page appears.



6. Change the wireless setting of the printer on EpsonNet Config.
7. Reboot the printer.
8. Restore the wireless settings on your computer.

Note:

If the operating system on your computer provides a wireless configuration software, use it to change the wireless settings. Or you can change the wireless settings using the tool provided with the operating system. See the instructions below.

For Windows XP and Windows Server 2003:

- a Select **Network Connections** from **Control Panel**.
- b Right-click **Wireless Network Connection** and select **Properties**.
- c Select **Wireless Networks** tab.

- d Ensure that the check box for **Use Windows to configure my wireless network settings** is selected.
- e Click **Advanced**.
- f You can either set the printer to the ad-hoc mode or the infrastructure mode.
 - For Ad hoc mode:
Select **Computer-to-computer (ad hoc) networks only** and close the dialog box.
 - For Infrastructure mode:
Select **Access point (Infrastructure) networks only** and close the dialog box.
- g Click **Add** to display **Wireless network properties**.
- h Enter the setting that you will send to the printer and click **OK**.
- i Click **Move up** to move the setting to the top of the list.
- j Click **OK** to close the **Wireless Network Connection Properties** dialog box.

For Windows Vista:

- a Display **Control Panel**.
- b Select **Network and Internet**.
- c Select **Network and Sharing Center**.
- d Select **Connect to a network**.
- e Select the network, and then click **Connect**.
- f Click **Close** in the dialog box after confirming the connection is a success.

For Windows Server 2008:

- a Display **Control Panel**.
- b Select **Network and Internet**.
- c Select **Network and Sharing Center**.

- d Select **Connect to a network**.
- e Select the network, and then click **Connect**.
- f Click **Close** in the dialog box after confirming the connection is a success.

For Windows Server 2008 R2 and Windows 7:

- a Display **Control Panel**.
- b Select **Network and Internet**.
- c Select **Network and Sharing Center**.
- d Select **Connect to a network**.
- e Select the network, and then click **Connect**.

Setting Up for Shared Printing

You can share your new printer on the network using the *Software Disc* that shipped with your printer, or using Windows Point and Print or peer-to-peer method. However, if you use either of the Microsoft methods you will not get features such as the Status Monitor and other printer utilities, which will get installed with the *Software Disc*.

If you want to use the printer on a network, share the printer and install its drivers on all the computers on the network.

Note:

You need to purchase a Ethernet cable separately for shared printing.

For Windows XP, Windows XP 64-bit Edition, Windows Server 2003, and Windows Server 2003 x64 Edition

1. Click **Start** (**start** for Windows XP) — **Printers and Faxes**.
2. Right-click this printer icon and select **Properties**.
3. From the **Sharing** tab, select **Share this printer**, and then enter a name in the **Share name** text box.

4. Click **Additional Drivers** and select the operating systems of all network clients using this printer.
5. Click **OK**.

If the files are not present in your computer, and then you will be prompted to insert the server operating system CD.

6. Click **Apply**, and then click **OK**.

For Windows Vista and Windows Vista 64-bit Edition

1. Click **Start — Control Panel — Hardware and Sound — Printers**.
2. Right-click the printer icon and select **Sharing**.
3. Click **Change sharing options** button.
4. The “**Windows needs your permission to continue**” appears.
5. Click **Continue** button.
6. Select the **Share this printer** check box, and then enter a name in the **Share name** text box.
7. Select **Additional Drivers** and select the operating systems of all network clients using this printer.
8. Click **OK**.
9. Click **Apply**, and then click **OK**.

For Windows Server 2008 and Windows Server 2008 64-bit Edition

1. Click **Start — Control Panel — Hardware and Sound — Printers**.
2. Right-click the printer icon and select **Sharing**.
3. Select the **Share this printer** check box, and then enter a name in the **Share name** text box.
4. Click **Additional Drivers** and select the operating systems of all network clients using this printer.

5. Click **OK**.
6. Click **Apply**, and then click **OK**.

For Windows 7, Windows 7 64-bit Edition, and Windows Server 2008 R2

1. Click **Start — Devices and Printers**.
2. Right-click the printer icon and select **Printer properties**.
3. On the **Sharing** tab, select the **Share this printer** check box, and then enter a name in the **Share name** text box.
4. Click **Additional Drivers** and select the operating systems of all network clients using this printer.
5. Click **OK**.
6. Click **Apply**, and then click **OK**.

To check that the printer is shared:

- Ensure that the printer object in the **Printers, Printers and Faxes** or **Devices and Printers** folder is shared. The share icon is shown under the printer icon.
- Browse **Network** or **My Network Places**. Find the host name of the server and look for the shared name you assigned to the printer.

Now that the printer is shared, you can install the printer on network clients using the Point and Print method or the peer-to-peer method.

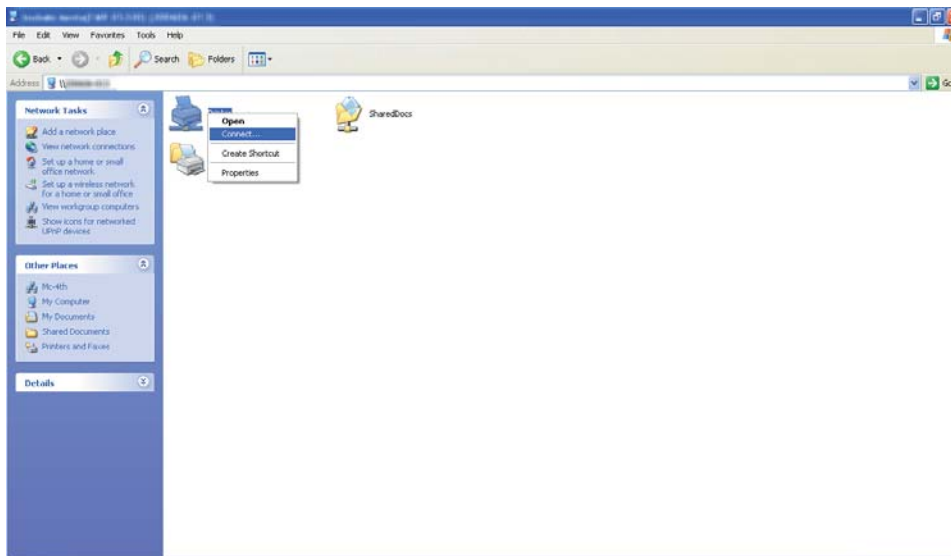
Point and Print

Point and Print is a Microsoft Windows technology that allows you to connect to a remote printer. This feature automatically downloads and installs the print driver.

For Windows XP, Windows XP 64-bit Edition, Windows Server 2003, and Windows Server 2003 x64 Edition

1. On the Windows desktop of the client computer, double-click **My Network Places**.
2. Locate the host name of the server computer, and then double-click the host name.

3. Right-click the shared printer name, and then click **Connect**.



Wait for the driver information to be copied from the server computer to the client computer, and for a new printer object to be added to the **Printers and Faxes** folder. The time taken to copy varies based on the network traffic.

Close **My Network Places**.

4. Print a test page to verify installation.
 - a Click **start (Start for Windows Server 2003/Windows Server 2003 x64 Edition) — Printers and Faxes**.
 - b Select the printer you have installed.
 - c Click **File — Properties**.
 - d On the **General** tab, click **Print Test Page**.

When a test page is printed successfully, installation is complete.

For Windows Vista and Windows Vista 64-bit Edition

1. Click **Start — Network**.

2. Locate and double-click the host name of the server computer.
3. Right-click the shared printer name, and then click **Connect**.
4. Click **Install driver**.
5. Click **Continue** in the **User Account Control** dialog box.

Wait until the driver is copied from the server to the client computer. A new printer object is added to the **Printers** folder. The duration of this procedure may vary based on the network traffic.

6. Print a test page to verify installation.
 - a. Click **Start — Control Panel — Hardware and Sound**.
 - b. Select **Printers**.
 - c. Right-click the printer you just created and select **Properties**.
 - d. On the **General** tab, click **Print Test Page**.

When a test page is printed successfully, installation is complete.

For Windows Server 2008 and Windows Server 2008 64-bit Edition

1. Click **Start — Network**.
2. Locate the host name of the server computer, and then double-click the host name.
3. Right-click the shared printer name, and then click **Connect**.
4. Click **Install driver**.
5. Wait until the driver is copied from the server to the client computer. A new printer object will be added to the **Printers** folder. The time taken for these activities varies based on network traffic.
6. Print a test page to verify installation.
 - a. Click **Start — Control Panel**.
 - b. Select **Hardware and Sound**.

- c Select **Printers**.
- d Right-click the printer you just created and select **Properties**.
- e On the **General** tab, click **Print Test Page**.

When a test page is printed successfully, installation is complete.

For Windows 7, Windows 7 64-bit Edition, and Windows Server 2008 R2

1. Click **Start — Network**.
2. Locate the host name of the server computer, and then double-click the host name.
3. Right-click the shared printer name, and then click **Connect**.
4. Click **Install driver**.
5. Wait until the driver is copied from the server to the client computer. A new printer object will be added to the **Devices and Printers** folder. The time taken for these activities varies based on network traffic.
6. Print a test page to verify installation.
 - a Click **Start — Devices and Printers**.
 - b Right-click the printer you just created and select **Printer properties**.
 - c On the **General** tab, click **Print Test Page**.

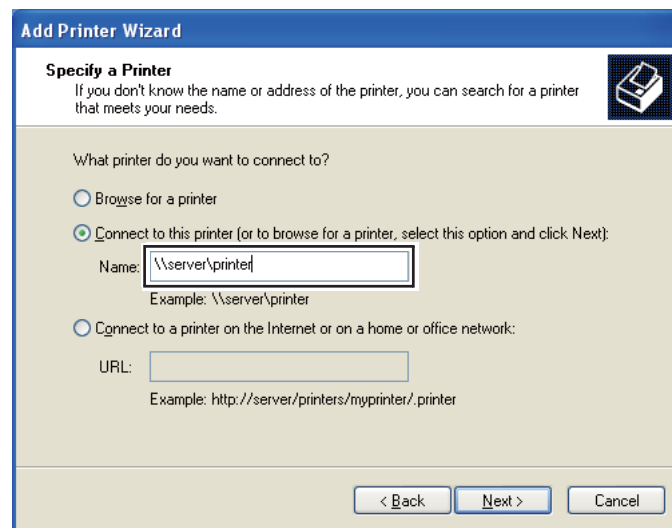
When a test page is printed successfully, installation is complete.

Peer-to-Peer

If you use the peer-to-peer method, the print driver is installed on each client computer. The client computers can modify the driver and handle the print jobs.

For Windows XP, Windows XP 64-bit Edition, Windows Server 2003, and Windows Server 2003 x64 Edition

1. Click **start** (**Start** for Windows Server 2003/Windows Server 2003 x64 Edition) — **Printers and Faxes**.
2. Click **Add a printer** (**Add Printer** for Windows Server 2003/Windows Server 2003 x64 Edition) to launch the **Add Printer Wizard**.
3. Click **Next**.
4. Select **A network printer, or a printer attached to another computer**, and then click **Next**.
5. Click **Browse for a printer**, and then click **Next**.
6. Select the printer, and then click **Next**. If the printer is not listed, click **Back** and enter in the path of the printer in the text box.



For example: \\[server host name]\\[shared printer name]

The server host name is the name of the server computer that identifies it to the network. The shared printer name is the name assigned during the server installation process.

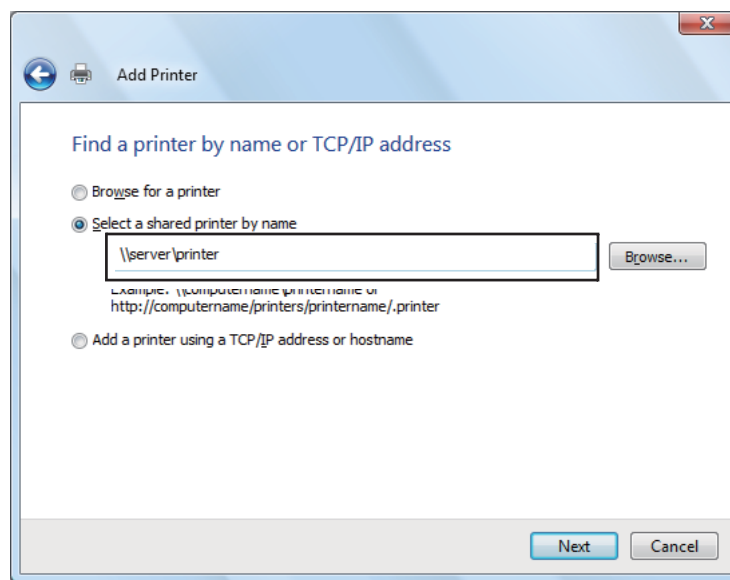
If this is a new printer, you may be prompted to install a print driver. If no system driver is available, specify the location where the driver is available.

7. Select **Yes** if you want this printer to be set as the default printer, and then click **Next**.

8. Click **Finish**.

For Windows Vista and Windows Vista 64-bit Edition

1. Click **Start — Control Panel — Hardware and Sound — Printers**.
2. Click **Add a printer** to launch the **Add Printer** wizard.
3. Select **Add a network, wireless or Bluetooth printer**. If the printer is listed, select the printer and click **Next**, or select **The printer that I want isn't listed** and enter in the path of the printer in the **Select a shared printer by name** text box and click **Next**.



For example: \\[server host name]\\[shared printer name]

The server host name is the name of the server computer that identifies it on the network. The shared printer name is the name assigned during the server installation process.

4. If this is a new printer, you may be prompted to install a print driver. If no system driver is available, specify the location where the driver is available.
5. Confirm the printer name, and then select whether to use this printer as the default printer and click **Next**.
6. If you want to verify installation, click **Print a test page**.
7. Click **Finish**.

When a test page is printed successfully, installation is complete.

For Windows Server 2008 and Windows Server 2008 64-bit Edition

1. Click **Start — Control Panel — Hardware and Sound — Printers**.
2. Click **Add a printer** to launch the **Add Printer** wizard.
3. Select **Add a network, wireless or Bluetooth printer**. If the printer is listed, select the printer and click **Next**, or select **The printer that I want isn't listed** and enter in the path of the printer in the **Select a shared printer by name** text box and click **Next**.

For example: \\[server host name]\[shared printer name]

The server host name is the name of the server computer that identifies it on the network. The shared printer name is the name assigned during the server installation process.

4. If this is a new printer, you may be prompted to install a print driver. If no system driver is available, specify the location where the driver is available.
5. Confirm the printer name, and then select whether to use this printer as the default printer and click **Next**.
6. Select whether to share this printer or not.
7. If you want to verify installation, click **Print a test page**.
8. Click **Finish**.

When a test page is printed successfully, installation is complete.

For Windows 7, Windows 7 64-bit Edition, and Windows Server 2008 R2

1. Click **Start — Devices and Printers**.
2. Click **Add a printer** to launch the **Add Printer** wizard.
3. Select **Add a network, wireless or Bluetooth printer**. If the printer is listed, select the printer and click **Next**, or select **The printer that I want isn't listed**. Click **Select a shared printer by name** and enter in the path of the printer in the text box, and then click **Next**.

For example: \\[server host name]\[shared printer name]

The server host name is the name of the server computer that identifies it to the network. The shared printer name is the name assigned during the server installation process.

4. If this is a new printer, you may be prompted to install a print driver. If no system driver is available, you need to specify the path to the available drivers.
5. Confirm the printer name, and then click **Next**.
6. Select whether to use this printer as the default printer, and then click **Next**.
7. If you want to verify installation, click **Print a test page**.
8. Click **Finish**.

When a test page is printed successfully, installation is complete.

Installing Print Driver on Computers Running Mac OS X

Installing the Driver

The following procedure uses Mac OS X 10.6 as an example.

1. Run the *Software Disc* on the Mac OS X.
2. Double-click the **AL-C1750 C1700 Installer** icon.
3. Click **Continue** on the displayed screen.
4. Click **Continue** on the **Introduction** screen.
5. Select a language for the **Software License Agreement**.
6. After reading the **Software License Agreement**, click **Continue**.
7. If you agree to the terms of the **Software License Agreement**, click **Agree** to continue the installation process.
8. Click **Install** to perform the standard installation.

9. Enter the administrator's name and password, and then click **OK**.
10. Click **Close** to complete installation.

Adding a Printer

Adding a Printer on Mac OS X 10.5.8/10.6 or Later Version(s)

When Using a USB connection

1. Turn off the printer and your computer.
2. Connect the printer and your computer with the USB cable.
3. Turn on the printer and your computer.
4. Display **System Preferences**, and then click **Print & Fax**.
5. Confirm your USB printer is added to **Print & Fax**.

If your USB printer is not displayed, execute the following procedures.

6. Click the plus (+) sign, and then click **Default**.
7. Select the printer connected via USB from the **Printer Name** list.

Name, **Location**, and **Print Using** are automatically entered.

8. Click **Add**.

When Using Bonjour

1. Turn on the printer.
2. Ensure that your computer is connected to the network.

If you use wired connection, ensure that the Ethernet cable is connected between the printer and the network.

If you use wireless connection, ensure that wireless connection is configured properly on your computer and printer.

3. Display **System Preferences**, and then click **Print & Fax**.
4. Click the plus (+) sign, and then click **Default**.
5. Select the printer connected via Bonjour from the **Printer Name** list.

Name and **Print Using** are automatically entered.

6. Click **Add**.

When Using IP Printing

1. Turn on the printer.
2. Ensure that your computer is connected to the network.

If you use wired connection, ensure that the Ethernet cable is connected between the printer and the network.

If you use wireless connection, ensure that wireless connection is configured properly on your computer and printer.

3. Display **System Preferences**, and then click **Print & Fax**.
4. Click the plus (+) sign, and then click **IP**.
5. Select **Line Printer Daemon - LPD** for **Protocol**.
6. Enter the IP address of the printer in the **Address** area.
7. Select the model of your printer for **Print Using**.

Note:

When the printing is set up using IP printing, the queue name is displayed as blank. You do not need to specify it.

8. Click **Add**.

Adding a Printer on Mac OS X 10.4.11

When Using a USB Connection

1. Turn off the printer and your computer.
2. Connect the printer and your computer with the USB cable.
3. Turn on the printer and your computer.
4. Start **Printer Setup Utility**.

Note:

*You can find **Printer Setup Utility** in the **Utilities** folder in **Applications**.*

5. Confirm your USB printer is added to **Printer List**.

If your USB printer is not displayed, execute the following procedures.

6. Click **Add**.
7. Click **Default Browser** in the **Printer Browser** dialog box.
8. Select the printer connected via USB from the **Printer Name** list.

Name, **Location** and **Print Using** are automatically entered.

9. Click **Add**.

When Using Bonjour

1. Turn on the printer.
2. Ensure that your computer is connected to the network.

If you use wired connection, ensure that the Ethernet cable is connected between the printer and the network.

If you use wireless connection, ensure that wireless connection is configured properly on your computer and printer.

3. Start **Printer Setup Utility**.

Note:

*You can find **Printer Setup Utility** in the **Utilities** folder in **Applications**.*

4. Click **Add**.
5. Click **Default Browser** in the **Printer Browser** dialog box.
6. Select the printer connected via Bonjour from the **Printer Name** list.
Name and **Print Using** are automatically entered.

7. Click **Add**.

When Using IP Printing

1. Turn on the printer.
2. Ensure that your computer is connected to the network.

If you use wired connection, ensure that the Ethernet cable is connected between the printer and the network.

If you use wireless connection, ensure that wireless connection is configured properly on your computer and printer.

3. Start **Printer Setup Utility**.

Note:

*You can find **Printer Setup Utility** in the **Utilities** folder in **Applications**.*

4. Click **Add**.
5. Click **IP Printer** in the **Printer Browser** dialog box.
6. Select **Line Printer Daemon - LPD** for **Protocol**.
7. Enter the IP address of the printer in the **Address** area.
8. Select **EPSON** for **Print Using**, and then select the model of your printer.

Note:

When the printing is set up using IP printing, the queue name is displayed as blank. You do not need to specify it.

9. Click **Add**.

Adding a Printer on Mac OS X 10.3.9

When Using a USB Connection

1. Turn off the printer and your computer.
2. Connect the printer and your computer with the USB cable.
3. Turn on the printer and your computer.
4. Start **Printer Setup Utility**.

Note:

You can find **Printer Setup Utility** in the **Utilities** folder in **Applications**.

5. Confirm your USB printer is added to **Printer List**.

If your USB printer is not displayed, execute the following procedures.

6. Click **Add**.
7. Select **USB** from the menu.
8. Select the printer from the **Product** list.

Printer Model is automatically selected.

9. Click **Add**.

When Using Rendezvous (Bonjour)

1. Turn on the printer.
2. Ensure that your computer is connected to the network.

If you use wired connection, ensure that the Ethernet cable is connected between the printer and the network.

If you use wireless connection, ensure that wireless connection is configured properly on your computer and printer.

3. Start **Printer Setup Utility**.

Note:

You can find **Printer Setup Utility** in the **Utilities** folder in **Applications**.

4. Click **Add**.
5. Select **Rendezvous** from the menu.
6. Select the printer you want to install from the **Name** list.

Printer Model is automatically selected.

7. Select the printer model from the **Model Name** list.
8. Click **Add**.

When Using IP Printing

1. Turn on the printer.
2. Ensure that your computer is connected to the network.

If you use wired connection, ensure that the Ethernet cable is connected between the printer and the network.

If you use wireless connection, ensure that wireless connection is configured properly on your computer and printer.

3. Start **Printer Setup Utility**.

Note:

You can find **Printer Setup Utility** in the **Utilities** folder in **Applications**.

4. Click **Add**.
5. Click **IP Printing** from the menu.
6. Select **LPD/LPR** for **Printer Type**.
7. Enter the IP address of the printer in the **Printer Address** area.
8. Select **EPSON** for **Printer Model**, and then select the model of your printer.

Note:

When the printing is set up using IP printing, the queue name is displayed as blank. You do not need to specify it.

9. Click **Add**.

Chapter 5

Printing Basics

About Print Media

Using paper that is not appropriate for the printer can cause paper jams, image quality problems, or printer failure. To achieve the best performance from your printer, we recommend you to use only the paper described in this section.

When using paper other than that recommended, contact the Epson local representative office or an authorised dealer.

Print Media Usage Guidelines

The printer tray accommodates various sizes and types of paper and other specialty media. Follow these guidelines when loading paper and media:

- Envelopes can be printed from the multipurpose feeder (MPF) and priority sheet inserter (PSI).
- Fan paper or other specialty media before loading in the paper tray.
- Do not print on label stock once a label has been removed from a sheet.
- Use only paper envelopes. Do not use envelopes with windows, metal clasps, or adhesives with release strips.
- Print all envelopes single-sided only.
- Some wrinkling and embossing may occur when printing envelopes.
- Do not overload the paper tray. Do not load print media above the fill line on the inside of the paper width guides.
- Adjust the paper width guides to fit the paper size.
- If excessive jams occur, use paper or other media from a new package.



Warning:

Do not use conductive paper such as origami paper, carbonic paper or conductively-coated paper. When paper jam occurs, it may cause short-circuit and eventually a fire accident.

See Also:

- “Loading Print Media in the Multipurpose Feeder (MPF)” on page 96
- “Loading Print Media in the Priority Sheet Inserter (PSI)” on page 105
- “Loading Envelope in the Multipurpose Feeder (MPF)” on page 102
- “Loading Envelope in the Priority Sheet Inserter (PSI)” on page 108
- “Printing on Custom Size Paper” on page 123

Print Media That Can Damage Your Printer

Your printer is designed to use a variety of media types for print jobs. However, some media can cause poor output quality, increased paper jams, or damage to your printer.

Unacceptable media includes:

- Rough or porous media
- Plastic media
- Paper that has been folded or wrinkled
- Paper with staples
- Envelopes with windows or metal clasps
- Padded envelopes
- Non-laser glossy or coated paper
- Perforated media

**Warning:**

Do not use conductive paper such as origami paper, carbonic paper or conductively-coated paper. When paper jam occurs, it may cause short-circuit and eventually a fire accident.

Supported Print Media

Using unsuitable print media may lead to paper jams, poor print quality, breakdown and damage to your printer. To use the features of this printer effectively, use the suggested print media that is recommended here.

Important:

The toner may come off the print media, if it gets wet by water, rain, steam and so on. For details, contact the Epson local representative office or an authorized dealer.

Usable Print Media

The types of print media that can be used on this printer are as follows:

Note:

- SEF and LEF indicate the paper feed direction; SEF stands for short-edge feed. LEF stands for long-edge feed.*
- Use only laser print media. Do not use ink jet paper in this printer.*
- Printing on print media that differs from the paper size or paper type selected on the print driver may lead to paper jams. To ensure that printing is correctly done, select the correct paper size and paper type.*

Multipurpose Feeder (MPF)

Paper Size	A4 SEF (210 × 297 mm) B5 SEF (182 × 257 mm) A5 SEF (148 × 210 mm) Letter SEF (8.5 × 11 inches) Legal SEF (8.5 × 14 inches) Folio SEF (8.5 × 13 inches) Executive SEF (7.25 × 10.5 inches) C5 SEF (162 × 229 mm) Monarch SEF (3.875 × 7.5 inches) Monarch LEF (7.5 × 3.875 inches) ^{*1} # 10 Env SEF (4.125 × 9.5 inches) DL SEF (110 × 220 mm) DL LEF (220 × 110 mm) ^{*1} Custom Size: Width: 76.2 – 215.9 mm (3 – 8.5 inches) ^{*2} Length: 127 – 355.6 mm (5 – 14 inches) ^{*3}
------------	--

Paper Type (Weight)	Plain Bond Lightweight Cardstock Lightweight Glossy Cardstock Labels Envelope Recycled Letterhead Pre-Printed Hole Punched Colored Special Custom Type
Loading Capacity	150 sheets of standard paper

*1 Monarch and DL envelopes can be supported by LEF with their flap open.

*2 The maximum width is 220 mm for DL LEF.

*3 The minimum length is 3.875 inches for Monarch LEF and 110 mm for DL LEF.

Priority Sheet Inserter (PSI)

Paper Size	A4 SEF (210 × 297 mm) B5 SEF (182 × 257 mm) A5 SEF (148 × 210 mm) Letter SEF (8.5 × 11 inches) Legal SEF (8.5 × 14 inches) Folio SEF (8.5 × 13 inches) Executive SEF (7.25 × 10.5 inches) C5 SEF (162 × 229 mm) Monarch SEF (3.875 × 7.5 inches) # 10 Env SEF (4.125 × 9.5 inches) DL SEF (110 × 220 mm) Custom Size: Width: 76.2 – 215.9 mm (3 – 8.5 inches) Length: 190.5 – 355.6 mm (7.5 – 14 inches)
------------	---

Paper Type (Weight)	Plain Bond Lightweight Cardstock Lightweight Glossy Cardstock Labels Envelope Recycled Letterhead Pre-Printed Hole Punched Colored Special Custom Type
Loading Capacity	10 sheets of standard paper

Loading Print Media

Loading print media properly helps prevent jams and ensures trouble-free printing.

Before loading print media, identify the recommended print side of the print media. This information is usually on the print media package.

Note:

After loading paper in the feeder, specify the same paper type on the print driver.

Capacity

Multipurpose feeder (MPF) can hold:

- 150 sheets of standard paper
- 16.2 mm (0.64 inches) of thick paper
- One sheet of coated paper
- Five envelopes

- ❑ 16.2 mm (0.64 inches) of labels

Priority sheet inserter (PSI) can hold:

- ❑ 10 sheets of standard paper or one sheet of other paper

Print Media Dimensions

The MPF accepts print media within the following dimensions:

- ❑ Width: 76.2 – 215.9 mm (3.00 – 8.50 inches)
- ❑ Length: 127 – 355.6 mm (5.00 – 14.00 inches)

Note:

- ❑ *The maximum width is 220 mm for DL LEF.*
- ❑ *The minimum length is 3.875 inches for Monarch LEF and 110 mm for DL LEF.*

The PSI accepts print media within the following dimensions:

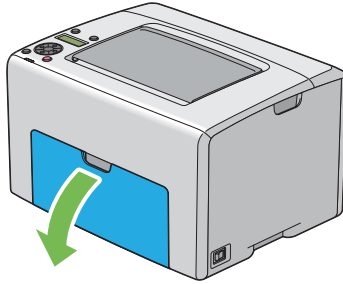
- ❑ Width: 76.2 – 215.9 mm (3.00 – 8.50 inches)
- ❑ Length: 190.5 – 355.6 mm (7.50 – 14.00 inches)

Loading Print Media in the Multipurpose Feeder (MPF)

Note:

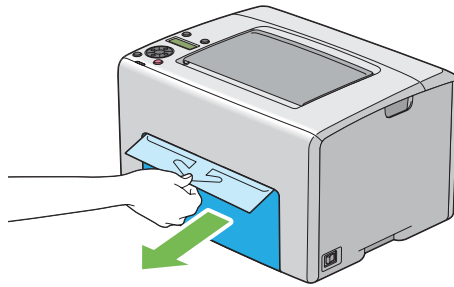
- ❑ *To avoid paper jams, do not remove the priority sheet inserter (PSI) while printing is in progress.*
- ❑ *Use only laser print media. Do not use ink jet paper in this printer.*

1. Open the front cover.

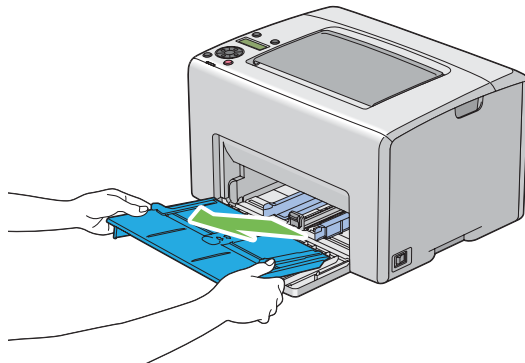


Note:

When you use the MPF for the first time, open the front cover by pulling out the instruction sheet.

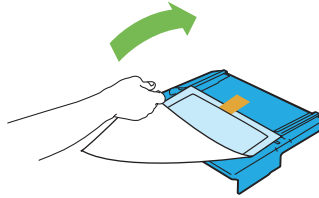


2. Pull the PSI out.

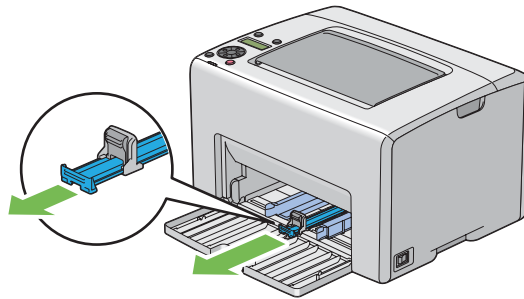


Note:

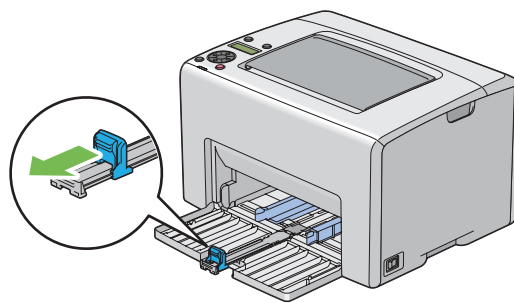
- ❑ When you use the MPF for the first time, remove the instruction sheet attached to the PSI with adhesive tape.
- ❑ Read the instruction sheet before you use the PSI.



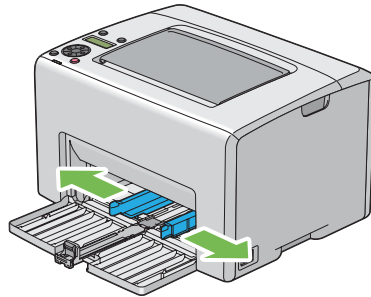
3. Pull the slide bar forward until it stops.



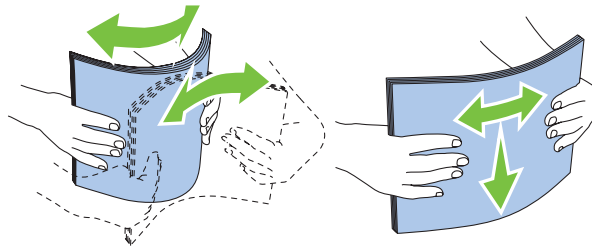
4. Pull the length guide forward until it stops.



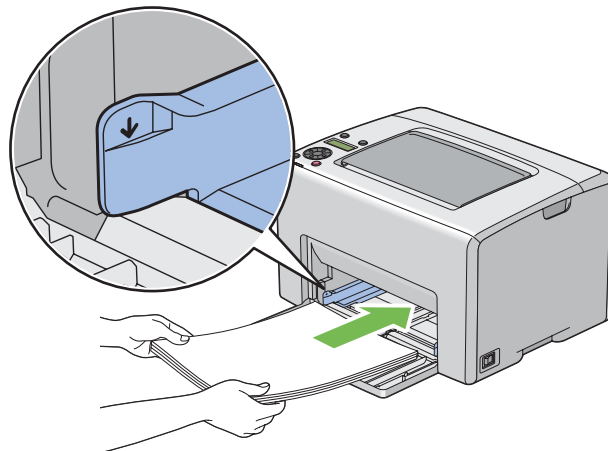
- Adjust the paper width guides to their maximum width.



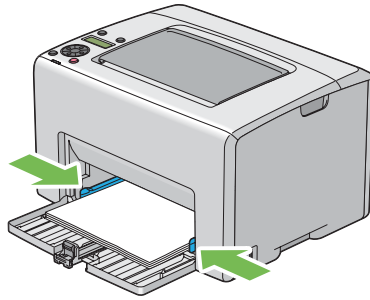
- Before loading the print media, flex the sheets back and forth, and then fan them. Straighten the edges of the stack on a level surface.



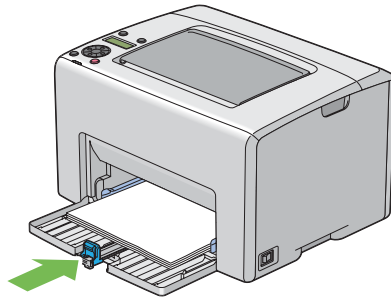
- Load print media on the MPF with the top edge first and with the recommended print side facing up.



- Adjust the paper width guides until they rest lightly against the edges of the stack of print media.

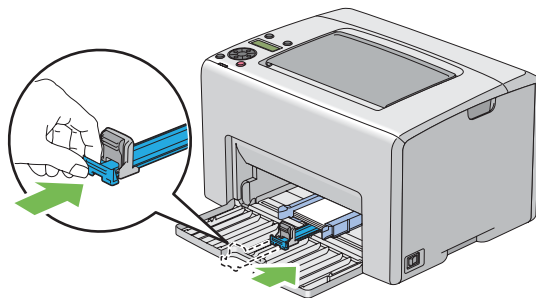


- Slide the length guide towards the printer until it touches the print media.

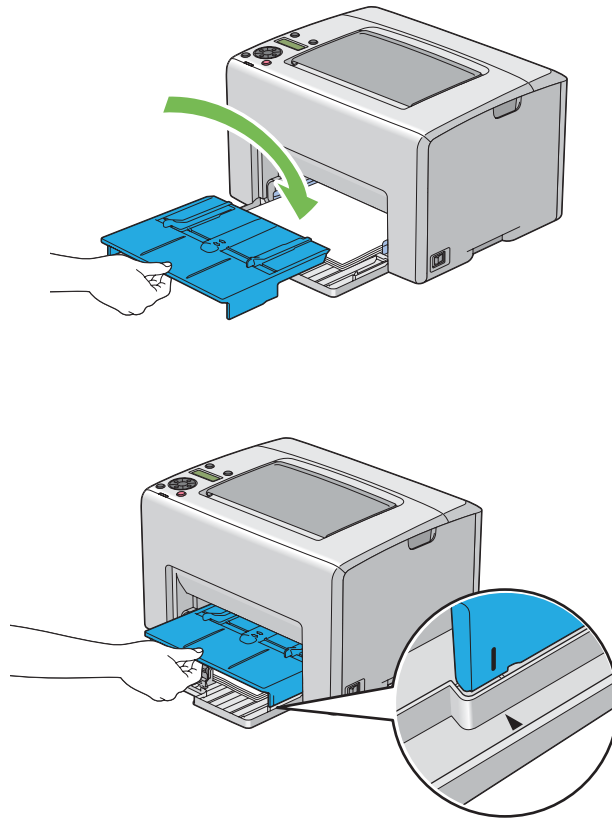


Note:

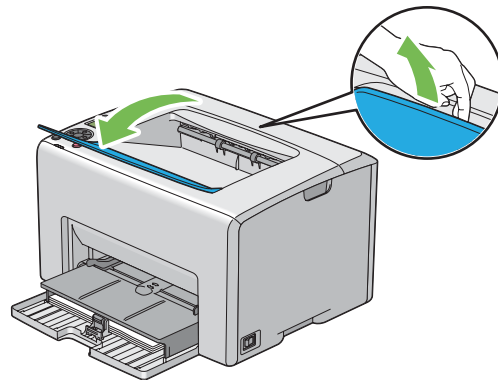
Depending on the size of print media, first slide the slide bar backward until it stops, and then pinch the length guide and slide it backward until it touches print media.



10. Insert the PSI into the printer and then align the PSI to the marking on the MPF.



11. Open the output tray extension.



12. Select the paper type from the print driver if the loaded print media is not standard plain paper. If a user-specified print media is loaded in the MPF, you must specify the paper size setting by using the print driver.

Note:

For more information about setting the paper size and type on the print driver, refer to the online Help provided for the print driver.

Note:

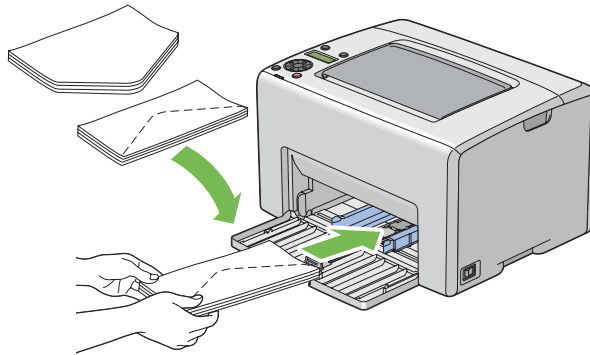
For standard-size paper, adjust the guides first and then set paper.

Loading Envelope in the Multipurpose Feeder (MPF)**Note:**

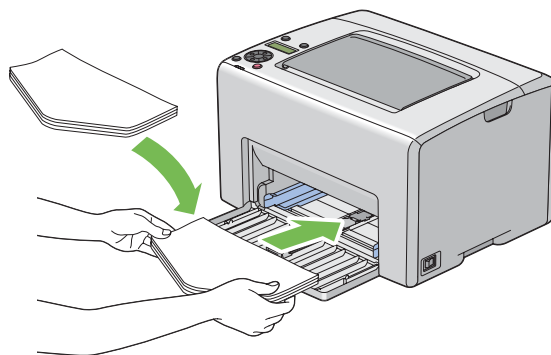
When you print on envelopes, be sure to specify the envelope setting on the print driver. If not specified, the print image will be rotated 180 degrees.

When Loading # 10, DL, or Monarch

Load envelopes with the side to be printed on facing up, the flap side facing down, and the flap turned to the right.



To prevent DL and Monarch from being wrinkled, they are recommended to be loaded with the print-side facing up, flap opened, and facing you.

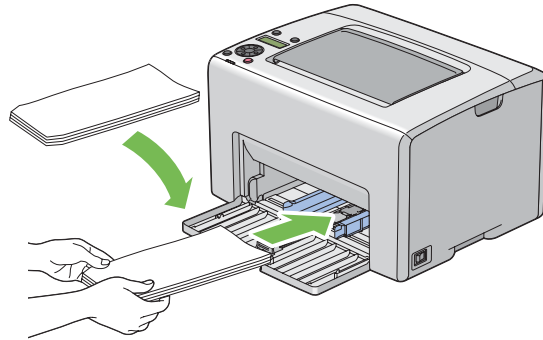


Note:

When you load the envelopes in the long-edge feed (LEF) orientation, be sure to specify the landscape orientation on the print driver.

When Loading C5

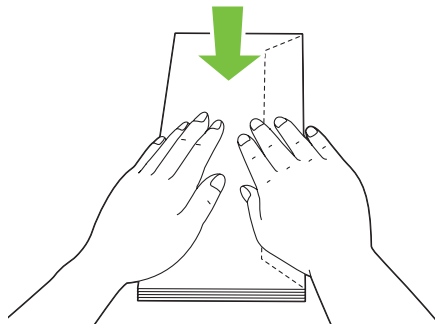
Load envelopes with the side to be printed on facing up, flap opened, and facing you.

**Important:**

Never use envelopes with windows, or coated linings. These lead to paper jams and can cause damage to the printer.

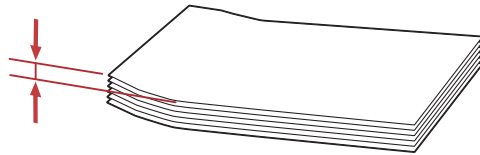
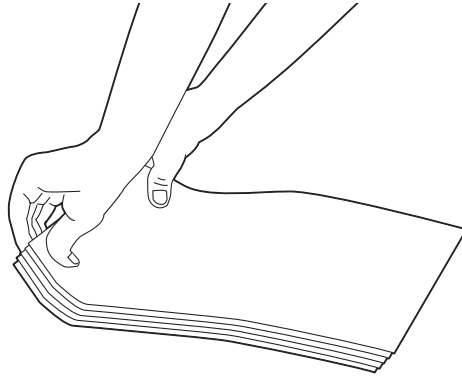
Note:

- ❑ If you do not load envelopes in the MPF right after they have been removed from the packaging, they may bulge. To avoid jams, flatten them as shown below when loading them in the MPF.



- ❑ *If envelopes are still not fed correctly, add some bending to the flap of the envelopes as shown in the following illustration.*

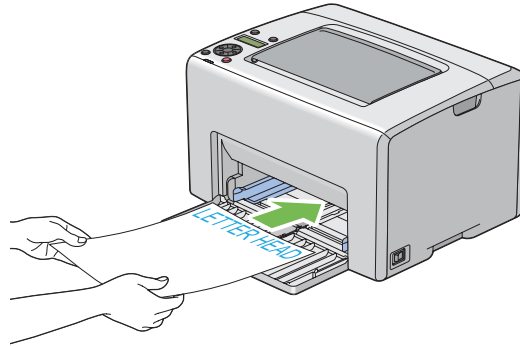
The amount of the bending shall be 5 mm (0.20 inches) or less.



- ❑ *To confirm the correct orientation of each print media such as envelopes, see the instruction on the Envelope/Paper Setup Navigator on the print driver.*

Loading Letterhead in the Multipurpose Feeder (MPF)

Load the letterhead in the printer with the print side facing up. Ensure that the title on the letterhead enters the printer first.

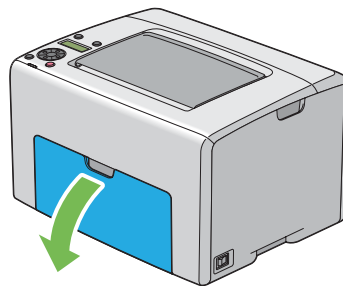


Loading Print Media in the Priority Sheet Inserter (PSI)

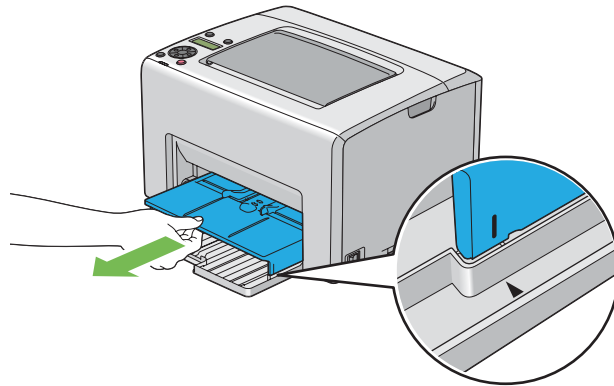
Note:

- To avoid paper jams, do not remove the PSI while printing is in progress.
- Use only laser print media. Do not use ink jet paper in this printer.

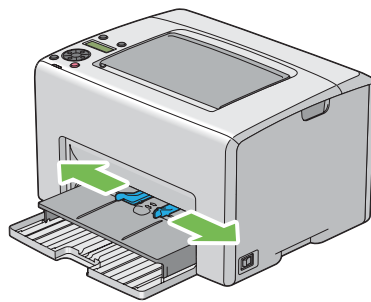
1. Open the front cover.



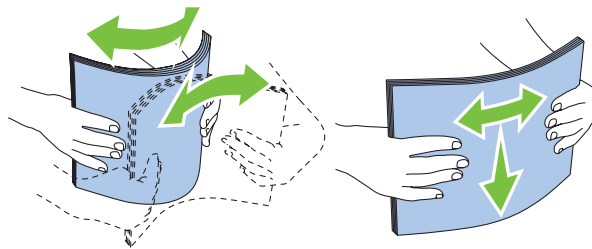
- Slide the PSI forward, and then align the PSI to the marking on the MPF.



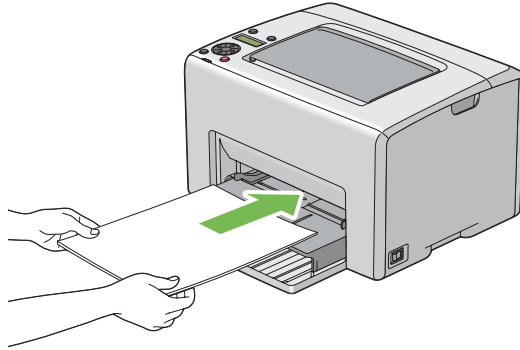
- Adjust the paper width guides to their maximum width.



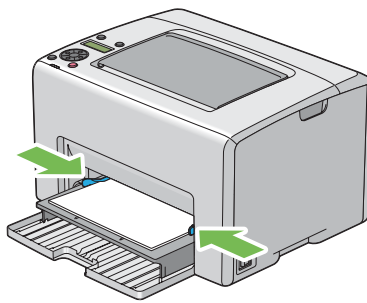
- Before loading the print media, flex the sheets back and forth, and then fan them. Straighten the edges of the stack on a level surface.



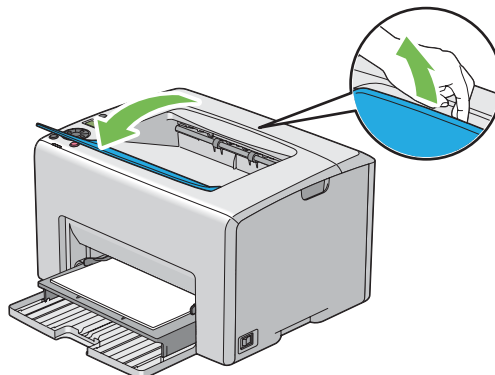
5. Load print media on the PSI with the top edge first and with the recommended print side facing up.



6. Adjust the paper width guides until they rest lightly against the edges of the stack of print media.



7. Open the output tray extension.



8. Select the paper type from the print driver if the loaded print media is not standard plain paper. If a user-specified print media is loaded in the PSI, you must specify the paper size setting by using the print driver.

Note:

For more information about setting the paper size and type on the print driver, refer to the online Help provided for the print driver.

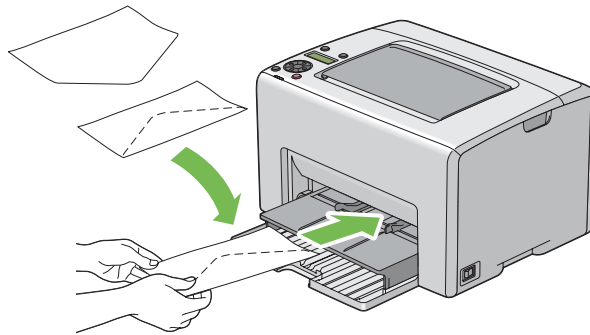
Loading Envelope in the Priority Sheet Inserter (PSI)

Note:

- Be sure to fully insert the envelope until it stops. Otherwise, print media that is loaded on the MPF will be fed.
- When you print on envelopes, be sure to specify the envelope setting on the print driver. If not specified, the print image will be rotated 180 degrees.

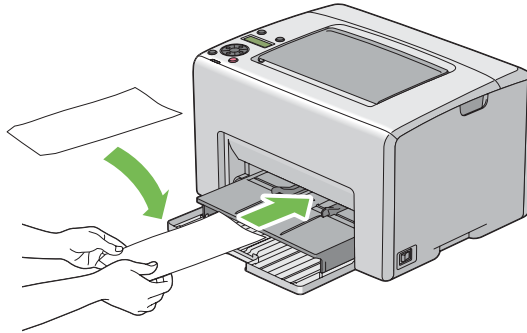
When Loading # 10, DL, or Monarch

Load the envelope with the side to be printed on facing up, the flap side facing down, and the flap turned to the right.



When Loading C5

Load the envelope with the side to be printed on facing up, flap opened, and facing you.

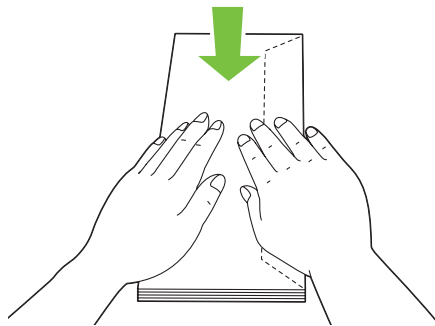


Important:

Never use envelopes with windows, or coated linings. These lead to paper jams and can cause damage to the printer.

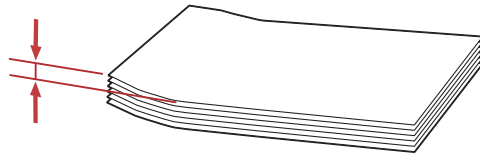
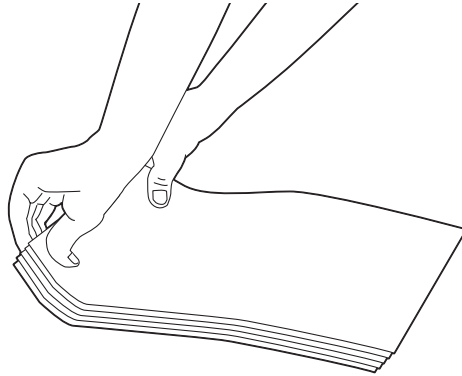
Note:

- ❑ If you do not load envelopes in the PSI right after they have been removed from the packaging, they may bulge. To avoid jams, flatten them as shown below when loading them in the PSI.



- ❑ *If envelopes are still not fed correctly, add some bending to the flap of the envelopes as shown in the following illustration.*

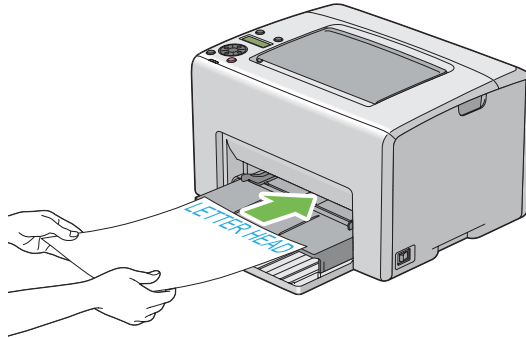
The amount of the bending shall be 5 mm (0.20 inches) or less.



- ❑ *To confirm the correct orientation of each print media such as envelopes, see the instruction on the Envelope/Paper Setup Navigator on the print driver.*

Loading Letterhead in the Priority Sheet Inserter (PSI)

Load the letterhead in the printer with the print side facing up. Ensure that the title on the letterhead enters the printer first.



Manual Duplex Printing (Windows Print Driver Only)

Note:

When printing on curled paper, straighten the paper and then insert it into the feeder.

When you start manual duplex printing, the instruction window appears. Note that the window cannot be reopened once it is closed. Do not close the window until duplex printing is complete.

Manual duplex printing can be done using the multipurpose feeder (MPF) or the priority sheet inserter (PSI).

Operations on Your Computer

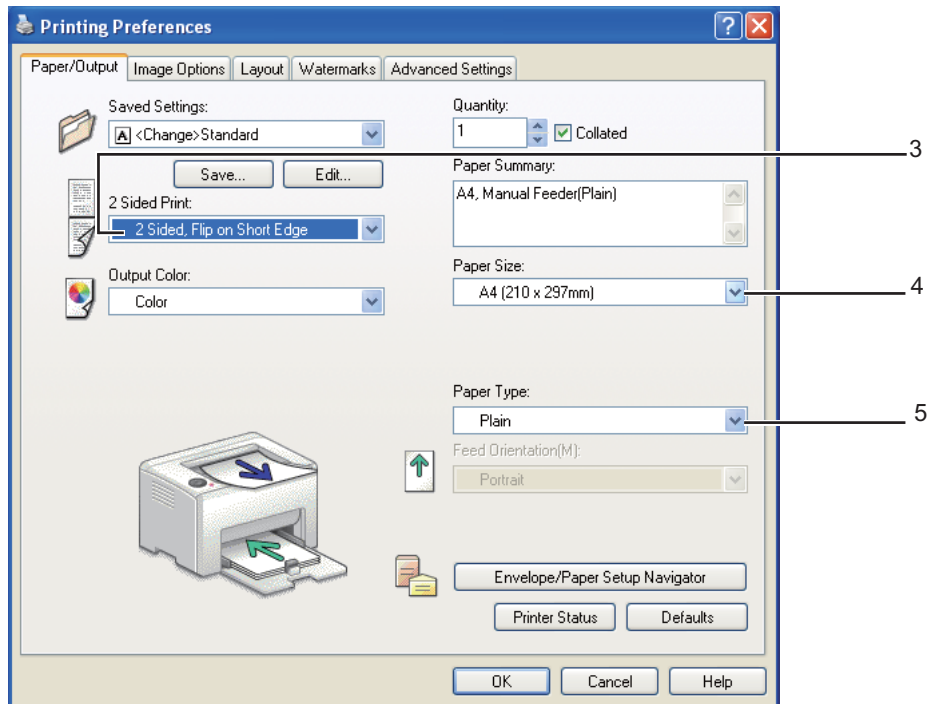
The following procedure uses Microsoft® Windows® XP WordPad as an example.

Note:

*The way to display the printer **Properties/Printing Preferences** dialog box differs according to the application software. Refer to the manual of your respective application software.*

1. From the **File** menu, select **Print**.
2. Select the printer from the **Select Printer** list box, and then click **Preferences**.
3. The **Paper/Output** tab appears.

From **2 Sided Print**, select either **2 Sided, Flip on Short Edge** or **2 Sided Print** to define the way 2-sided print pages are bound.



4. From **Paper Size**, select the size of the document to be printed.
5. From **Paper Type**, select the paper type to be used.
6. Click **OK** to close the **Printing Preferences** dialog box.
7. Click **Print** in the **Print** dialog box to start printing.

Important:

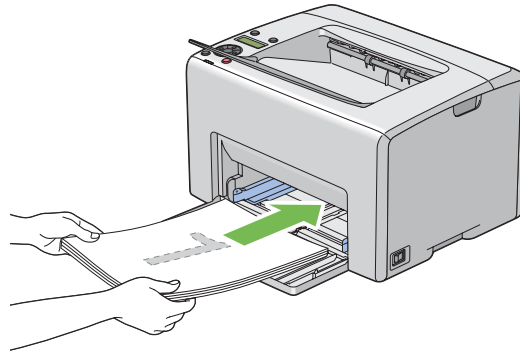
When you start manual duplex printing, the instruction window appears. Note that the window cannot be reopened once it is closed. Do not close the window until duplex printing is complete.

Loading Print Media in the Multipurpose Feeder (MPF)

1. First print the even pages (rear sides).

For a six page document, rear sides are printed in the order of page 6, page 4, then page 2.

The **!** (**Error**) indicator lights and the **Insert Output into Paper tray** message appears on the LCD panel when the even pages finish printing.



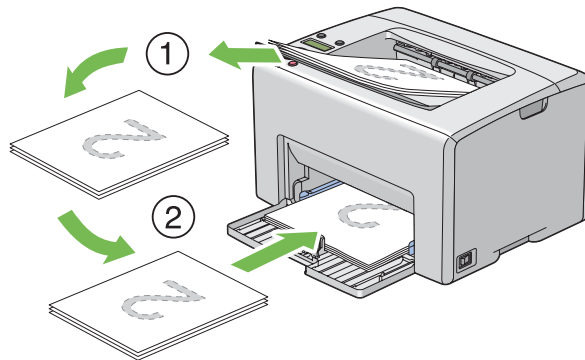
2. After the even pages are printed, remove the paper stack from the center output tray.

Note:

Warped or curled prints can cause paper jams. Straighten them before setting them.

3. Stack the prints and set them as they are (with the blank side facing up) into the MPF, and then press the **OK** button.

Pages are printed in the order of page 1 (rear of page 2), page 3 (rear of page 4), and then page 5 (rear of page 6).



Note:

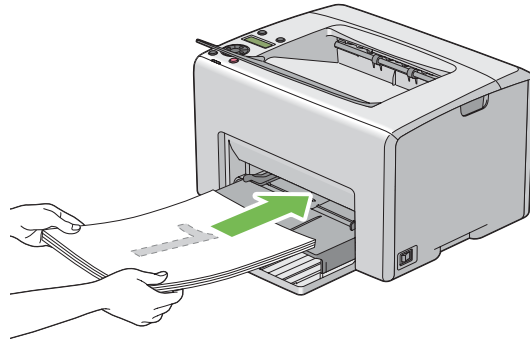
Printing on both sides of the paper is not possible if the document consists of various sizes of paper.

Loading Print Media in the Priority Sheet Inserter (PSI)

1. First print the even pages (rear sides).

For a six page document, even pages are printed in the order page 6, page 4, then page 2.

The **i (Error)** indicator lights and the `Insert Output into Paper tray` message appears on the LCD panel when the even pages finish printing.



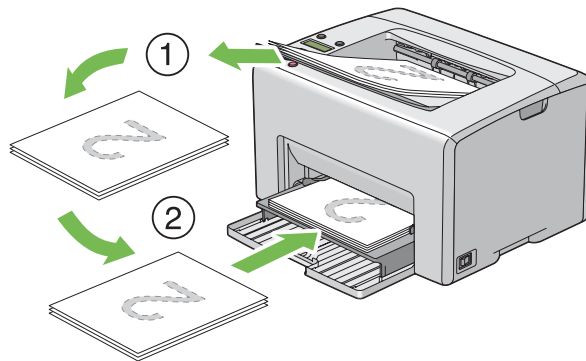
2. After the even pages are printed, remove the paper stack from the center output tray.

Note:

Warped or curled prints can cause paper jams. Straighten them before setting them.

3. Stack the prints and set them as they are (with the blank side face up) into the PSI, and then press the **OK** button.

Pages are printed in order of page 1 (rear of page 2), page 3 (rear of page 4), and then page 5 (rear of page 6).



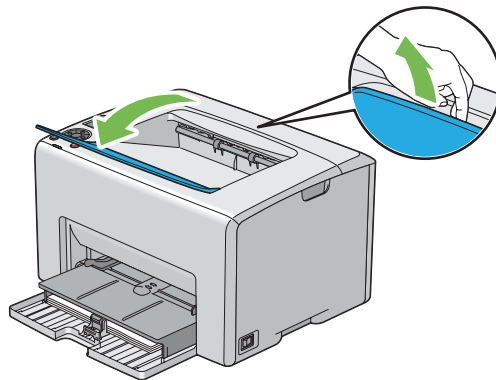
Note:

Printing on both sides of the paper is not possible if the document consists of various sizes of paper.

Using the Output Tray Extension

The output tray extension is designed to prevent print media from falling from the printer after the print job is complete.

Before printing a document, ensure that the output tray extension is opened.



Printing

This section covers how to print certain lists of information from your printer and how to cancel a job.

Sending a Job to Print

Install the print driver to use all the features of the printer. When you choose **Print** from a software program, a window representing the print driver opens. Select the appropriate settings for the specific job you are sending to print. Print settings selected from the driver have precedence over the default menu settings selected from the operator panel or Printer Setting Utility.

You may need to click **Preferences** from the initial **Print** dialog box to see all the available system settings you can change. If you are not familiar with a feature in the print driver window, open the online Help for more information.

To print a job from a typical Windows application:

1. Open the file you want to print.
2. From the **File** menu, select **Print**.

3. Verify that the correct printer is selected in the dialog box. Modify the system settings as needed (such as the pages you want to print or the number of copies).
4. To adjust system settings not available from the first screen, such as **Quantity**, **Paper Size**, or **Feed Orientation**, click **Preferences**.

The **Printing Preferences** dialog box appears.

5. Specify the print settings. For more information, click **Help**.
6. Click **OK** to close the **Printing Preferences** dialog box.
7. Click **Print** to send the job to the selected printer.

Canceling a Print Job

There are several methods for canceling a print job.

Canceling From the Operator Panel

To cancel a job after it has started printing:

1. Press the  (**Cancel Job**) button.

Note:

Printing is canceled only for the current job. All the following jobs will continue to print.

Canceling a Job From the Computer Running Windows

Canceling a Job From the Taskbar

When you send a job to print, a small printer icon appears in the right corner of the taskbar.

1. Double-click the printer icon.

A list of print jobs appears in the printer window.

2. Select the job you want to cancel.
3. Press the **Delete** key.

Canceling a Job From the Desktop

1. Minimize all programs to reveal the desktop.

Click **start** — **Printers and Faxes** (for Windows XP).

Click **Start** — **Printers and Faxes** (for Windows Server® 2003).

Click **Start** — **Devices and Printers** (for Windows 7 and Windows Server 2008 R2).

Click **Start** — **Control Panel** — **Hardware and Sound** — **Printers** (for Windows Vista®).

Click **Start** — **Control Panel** — **Printer** (for Windows Server 2008).

A list of available printers appears.

2. Double-click the printer you selected when you sent the job.

A list of print jobs appears in the printer window.

3. Select the job you want to cancel.

4. Press the **Delete** key.

Selecting Printing Options

Selecting Printing Preferences (Windows)

Printer preferences control all of your print jobs, unless you override them specifically for a job. For example, if you want to use duplex printing for most jobs, set this option in printer settings.

To select printer preferences:

1. Click **start** — **Printers and Faxes** (for Windows XP).

Click **Start** — **Printers and Faxes** (for Windows Server 2003).

Click **Start** — **Devices and Printers** (for Windows 7 and Windows Server 2008 R2).

Click **Start** — **Control Panel** — **Hardware and Sound** — **Printers** (for Windows Vista).

Click **Start** — **Control Panel** — **Printer** (for Windows Server 2008).

A list of available printers appears.

2. Right-click the icon for your printer, and then select **Printing Preferences**.

The **EPSON AL-C1750N/EPSON AL-C1750W Printing Preferences** screen appears.

3. Make selections on the driver tabs, and then click **OK** to save your selections.

Note:

*For more information about Windows print driver options, click **Help** on the print driver tab to view the online Help.*

Selecting Options for an Individual Job (Windows)

If you want to use special printing options for a particular job, change the driver settings before sending the job to the printer. For example, if you want to use Photo print-quality mode for a particular graphic, select this setting in the driver before printing that job.

1. With the desired document or graphic open in your application, access the **Print** dialog box.
2. Select the Epson AcuLaser C1750 series and click **Preferences** to open the print driver.
3. Make selections on the driver tabs. See the following table for specific printing options.

Note:

*In Windows, you can save current printing options with a distinctive name and apply them to other print jobs. Make selections on the **Paper/Output**, **Image Options**, **Layout**, **Watermarks**, or **Advanced Settings** tab, and then click **Save** under **Saved Settings** on the **Paper/Output** tab. Click **Help** for more information.*

4. Click **OK** to save your selections.
5. Print the job.

See the following table for specific printing options:

Printing Options for Windows

Operating System	Driver Tab	Printing Options
Windows XP, Windows XP x 64bit, Windows Server 2003, Windows Server 2003 x 64bit, Windows Vista, Windows Vista x 64bit, Windows Server 2008, Windows Server 2008 x 64bit, Windows Server 2008 R2, Windows 7, or Windows 7 x 64bit	Paper/Output tab	<input type="checkbox"/> Saved Settings <input type="checkbox"/> 2 Sided Print <input type="checkbox"/> Output Color <input type="checkbox"/> Quantity <input type="checkbox"/> Collated <input type="checkbox"/> Paper Summary <input type="checkbox"/> Paper Size <input type="checkbox"/> Paper Type <input type="checkbox"/> Feed Orientation <input type="checkbox"/> Envelope/Paper Setup Navigator <input type="checkbox"/> Printer Status <input type="checkbox"/> Defaults
	Image Options tab	<input type="checkbox"/> Output Color <input type="checkbox"/> Output Recognition <input type="checkbox"/> Image Adjustment Mode <input type="checkbox"/> Image Types <input type="checkbox"/> Image Auto Correction <input type="checkbox"/> Image Settings <input type="checkbox"/> Color Balance <input type="checkbox"/> Profile Settings <input type="checkbox"/> Defaults
	Layout tab	<input type="checkbox"/> Image Orientation <input type="checkbox"/> Multiple-Up <input type="checkbox"/> Booklet / Poster / Mixed Document / Rotation <input type="checkbox"/> Fit to New Paper Size <input type="checkbox"/> Specify Zoom <input type="checkbox"/> Image Shift / Print Position <input type="checkbox"/> Defaults
Windows XP, Windows Server 2003, Windows Vista, Windows Server 2008, or Windows 7	Watermarks tab	<input type="checkbox"/> Watermarks <ul style="list-style-type: none"> <input type="checkbox"/> New Watermark <input type="checkbox"/> Edit Watermark <input type="checkbox"/> Delete Watermark <input type="checkbox"/> Apply to First Page Only <input type="checkbox"/> Annotation <input type="checkbox"/> Defaults

Operating System	Driver Tab	Printing Options
Windows XP, Windows XP x 64bit, Windows Server 2003, Windows Server 2003 x 64bit, Windows Vista, Windows Vista x 64bit, Windows Server 2008, Windows Server 2008 x 64bit, Windows Server 2008 R2, Windows 7, or Windows 7 x 64bit	Advanced Settings tab	<input type="checkbox"/> Skip Blank Pages <input type="checkbox"/> Draft Mode <input type="checkbox"/> Other Settings (Graphics Settings) <ul style="list-style-type: none"> <input type="checkbox"/> Items <input type="checkbox"/> Settings for <input type="checkbox"/> About <input type="checkbox"/> Defaults

Selecting Options for an Individual Job (Mac OS X)

To select print settings for a particular job, change the driver settings before sending the job to the printer.

1. With the document open in your application, click **File**, and then click **Print**.
2. Select the Epson AcuLaser C1750 series from **Printer**.
3. Select the desired printing options from the menus and drop-down lists that are displayed.

Note:

*In Mac OS® X, click **Save As** on the **Presets** menu screen to save the current printer settings. You can create multiple presets and save each with its own distinctive name and printer settings. To print jobs using specific printer settings, click the applicable saved preset in the **Presets** list.*

4. Click **Print** to print the job.

Mac OS X Print Driver Printing Options:

The table shown below uses Mac OS X 10.6 TextEdit as an example.

Printing options for Mac OS X

Item	Printing Options
	<input type="checkbox"/> Copies <input type="checkbox"/> Collated <input type="checkbox"/> Pages <input type="checkbox"/> Paper Size <input type="checkbox"/> Orientation

Item	Printing Options
Layout	<input type="checkbox"/> Pages per Sheet <input type="checkbox"/> Layout Direction <input type="checkbox"/> Border <input type="checkbox"/> Two-Sided <input type="checkbox"/> Reverse page orientation <input type="checkbox"/> Flip horizontally
Paper Handling	<input type="checkbox"/> Pages to Print <input type="checkbox"/> Page Order <input type="checkbox"/> Scale to fit paper size <input type="checkbox"/> Destination Paper Size <input type="checkbox"/> Scale down only
Cover Page	<input type="checkbox"/> Print Cover Page <input type="checkbox"/> Cover Page Type <input type="checkbox"/> Billing Info
Scheduler	<input type="checkbox"/> Print Document <input type="checkbox"/> Priority
Job Control	<input type="checkbox"/> Account Mode
Image Settings	<input type="checkbox"/> Brightness <input type="checkbox"/> Contrast <input type="checkbox"/> Chroma
Printer Features	<input type="checkbox"/> Basic <ul style="list-style-type: none"> <input type="checkbox"/> Output Color <input type="checkbox"/> Paper Type <input type="checkbox"/> Detailed Settings <ul style="list-style-type: none"> <input type="checkbox"/> Image Type <input type="checkbox"/> Image Rotation (180deg) <input type="checkbox"/> Skip Blank Pages <input type="checkbox"/> Draft Mode <input type="checkbox"/> Trapping <input type="checkbox"/> Image Enhancement <input type="checkbox"/> Sharpness Adjustment <input type="checkbox"/> Screen <input type="checkbox"/> Color Balance C/M/Y/K <ul style="list-style-type: none"> <input type="checkbox"/> Low Density <input type="checkbox"/> Medium Density <input type="checkbox"/> High Density

Item	Printing Options
Summary	

Printing Custom Size Paper

This section explains how to print on custom size paper using the print driver.

Custom size paper can be loaded in the multipurpose feeder (MPF) and priority sheet inserter (PSI). The way to load custom size paper in the MPF is the same as the one to load standard size paper. The way to load custom size paper in the PSI is the same as the one to load standard size paper.

See Also:

- ❑ “Loading Print Media in the Multipurpose Feeder (MPF)” on page 96
- ❑ “Loading Print Media in the Priority Sheet Inserter (PSI)” on page 105

Defining Custom Paper Sizes

Before printing, set the custom size on the print driver.

Note:

When setting the paper size on the print driver, be sure to specify the same size as the actual print media used. Setting the wrong size for printing can cause printer failure. This is especially true if you configure a bigger size when using a narrow width paper.

Using the Windows Print Driver

On the Windows print driver, set the custom size in the **Custom Paper Size** dialog box. This section explains the procedure using Windows XP as an example.

For Windows XP or later, an administrator's password only allows users with administrator rights to change the settings. Users without the rights of administrator can only view the contents.

1. Click **start** — **Printers and Faxes**.
2. Right-click the icon for your printer, and then select **Properties**.
3. Select the **Configuration** tab.
4. Click **Custom Paper Size**.

5. Select the custom setup you want to define from **Details**.
6. Specify the length of the short edge and long edge under **Settings for**. You can specify the values either by entering them directly or using the up arrow and down arrow buttons. The length of the short edge cannot be longer than the long edge, even if it is within the specified range. The length of the long edge cannot be shorter than the short edge, even if it is within the specified range.
7. To assign a paper name, select the **Name Paper Size** check box, and then enter the name in **Paper Name**. Up to 14 characters can be used for the paper name.
8. If necessary, repeat steps 5 to 7 to define another custom size.
9. Click **OK** twice.

Printing on Custom Size Paper

Use the following procedures to print using either the Windows or Mac OS X print drivers.

Using the Windows Print Driver

This section explains the procedure using Windows XP WordPad as an example.

Note:

*The way to display the printer **Properties/Printing Preferences** dialog box differs according to the application software. Refer to the manual of your respective application software.*

1. From the **File** menu, select **Print**.
2. Select the printer as the printer to be used and click **Preferences**.
3. Select the **Paper/Output** tab.
4. Select the size of the original document from **Paper Size**.
5. Select the appropriate paper type from **Paper Type**.
6. Click the **Layout** tab.
7. From **Fit to New Paper Size**, select the custom size you defined. If you have selected the custom size from **Paper Size** in step 4, select **Same as Paper Size**.
8. Click **OK**.

9. Click **Print** in the **Print** dialog box to start printing.

Using the Mac OS X Print Driver

This section explains the procedure using Mac OS X 10.6 TextEdit as an example.

1. From the **File** menu, select **Page Setup**.
2. Select the printer as the printer to be used from **Format For**.
3. From **Paper Size**, select **Manage Custom Sizes**.
4. In the **Custom Paper Sizes** window, click **+**.
A newly created setting “Untitled” is displayed in the list.
5. Double-click “Untitled” and enter a name for the setting.
6. Enter the size of the original document in the **Width** and **Height** boxes of **Paper Size**.
7. Specify **Non-Printable Area** if necessary.
8. Click **OK**.
9. Make sure that the newly created paper size is chosen in **Paper Size**, and then click **OK**.
10. From the **File** menu, select **Print**.
11. Click **Print** to start printing.

Checking Status of Print Data

Checking Status (Windows Only)

You can check the printer status with Status Monitor. Double-click the Status Monitor printer icon on the taskbar at the bottom right of the screen. The **Select Printer** window appears, which displays the printer name, printer connection ports, and printer status. Check the column **Status** to know the current status of your printer.

Status Setting button: Displays the **Status Settings** screen and allows you to modify the Status Monitor settings.

Click the name of the desired printer listed on the **Select Printer** window. The **Status Monitor** window appears. You can check the printer status and print job status.

For more information about Status Monitor, see Help. The following procedure uses Windows XP as an example:

1. Click **start** — **All Programs**.
2. Select **EPSON**.
3. Select **Status Monitor**.
4. Select **Status Monitor Help**.

See Also:

“Status Monitor (Windows Only)” on page 22

Checking Status in EpsonNet Config (Windows & Mac OS X)

You can check the status of the print job sent to the printer at the **Jobs** tab of EpsonNet Config.

See Also:

“Printer Management Software” on page 20

Printing a Report Page

You can print a variety of settings for your printer including Printer Settings, Panel Settings, Job History Report, and Error History Report. This section describes two methods of printing a report page.


Printing a Printer Settings Page

To verify detailed printer settings, print a Printer Settings page.

See Also:

“Understanding the Printer Menus” on page 132

The Operator Panel

1. Press the  (**Menu**) button.

2. Select **Information Pages**, and then press the **OK** button.
3. Select **Printer Settings**, and then press the **OK** button.

The Printer Settings page is printed.

The Printer Setting Utility

The following procedure uses Windows XP as an example.

1. Click **start — All Programs — EPSON — EPSON Printer Software — EPSON AL-C1750N / EPSON AL-C1750W — Printer Setting Utility**.

Note:

The **Select Printer** window appears in this step, when multiple print drivers are installed on your computer. In this case, click the name of the desired printer listed in **Printer Name**.

The Printer Setting Utility appears.

2. Click the **Printer Settings Report** tab.
3. Select **Information Pages** from the list at the left side of the page.

The **Information Pages** page is displayed.

4. Click **Printer Settings**.

The Printer Settings page is printed.

Printer Settings

Using the Operator Panel to Change the Printer Settings

You can select menu items and corresponding values from the operator panel.

When you first enter the menus from the operator panel, you see an asterisk (*) next to a value in the menus. This asterisk indicates the factory default menu setting. These settings are the original printer settings.





Note:

Factory defaults may vary for different countries.

When you select a new setting from the operator panel, an asterisk appears next to the setting to identify it as the current user default menu setting.

These settings are active until new ones are selected or the factory defaults are restored.



To select a new value as a setting:


1. Press the  (**Menu**) button.
2. Select Admin Menu, and then press the  button.
3. Select the desired menu, and then press the  button.
4. Select the desired menu or menu item, and then press the  button.
 - If the selection is a menu, the menu is opened and the first menu item in the menu appears.
 - If the selection is a menu item, the default menu setting for the menu item appears.

Each menu item has a list of values for the menu item. A value can be:

- A phrase or word to describe a setting
- A numerical value that can be changed
- An On or Off setting

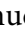
Note:

Press the  and  button at the same time. This will display the factory default menu settings.

5. Select the desired value.
6. Press the  button.

This enables the setting value, which is indicated by an asterisk (*) next to the setting value.

7. Press the  (**Back**) or  button to return to the previous menu.

To continue setting other items, select the desired menu. To quit setting new values, press the  (**Menu**) button to return to the main screen.

Driver settings may have precedence over changes previously made. In such case, change the defaults of the operator panel.

Using the Printer Setting Utility to Change the Printer Settings

You can select menu items and corresponding values from the Printer Setting Utility.

The following procedure uses Windows XP as an example.

Note:

Factory defaults may vary for different countries.

These settings are active until new ones are selected or the factory defaults are restored.

To select a new value as a setting:

1. Click **start** — **All Programs** — **EPSON** — **EPSON Printer Software** — **EPSON AL-C1750N / EPSON AL-C1750W** — **Printer Setting Utility**.

Note:

*The **Select Printer** window appears in this step, when multiple print drivers are installed on your computer. In this case, click the name of the desired printer listed in **Printer Name**.*

The Printer Setting Utility appears.

2. Click the **Printer Maintenance** tab.
3. Select the desired menu item.

Each menu item has a list of values for the menu item. A value can be:




- A phrase or word to describe a setting
 - A numerical value that can be changed
 - An On or Off setting
4. Select the desired value, and then click the associated button with each menu item.

Driver settings may have precedence over changes previously made and may require you to change the Printer Setting Utility defaults.

Adjusting the Language

To display a different language on the operator panel:

The Operator Panel

1. Press the  (**Menu**) button.
2. Select **Panel Language**, and then press the  button.
3. Select the desired language, and then press the  button.

The Printer Setting Utility

The following procedure uses Windows XP as an example.

1. Click **start — All Programs — Epson — EPSON Printer Software — EPSON AL-C1750N / EPSON AL-C1750W — Printer Setting Utility**.

Note:

The **Select Printer** window appears in this step, when multiple print drivers are installed on your computer. In this case, click the name of the desired printer listed in **Printer Name**.

The Printer Setting Utility appears.

2. Click the **Printer Maintenance** tab.
3. Select **System Settings** from the list at the left side of the page.

The **System Settings** page is displayed.

4. Select the desired language from **Panel Language**, and then click the **Apply New Settings** button.

Printing with Web Services on Devices (WSD)

This section provides information for network printing with WSD, the new Windows Vista, Windows Server 2008, Windows Server 2008 R2, and Windows 7 protocol of Microsoft.

Adding Roles of Print Services

When you use Windows Server 2008 or Windows Server 2008 R2, you need to add the roles of print services to the Windows Server 2008 or Windows Server 2008 R2 client.

For Windows Server 2008:

1. Click **Start — Administrative Tools — Server Manager**.
2. From the **Action** menu, select **Add Roles**.
3. Select the **Print Services** check box on the **Server Roles** window in the **Add Roles Wizard**, and then click **Next**.
4. Click **Next**.
5. Select the **Print Server** check box, and then click **Next**.
6. Click **Install**.

For Windows Server 2008 R2:

1. Click **Start — Administrative Tools — Server Manager**.
2. From the **Action** menu, select **Add Roles**.
3. Select the **Print and Document Services** check box on the **Server Roles** window in the **Add Roles Wizard**, and then click **Next**.
4. Click **Next**.
5. Select the **Print Server** check box, and then click **Next**.
6. Click **Install**.

Printer Setup

You can install your new printer on the network using the *Software Disc* that shipped with your printer, or using **Add Printer** Wizard.

Installing a Print Driver Using the Add Printer Wizard

1. Click **Start — Control Panel — Hardware and Sound — Printers (Start — Devices and Printers** for Windows Server 2008 R2 and Windows 7).
2. Click **Add a printer** to launch the **Add Printer** Wizard.

3. Select **Add a network, wireless or Bluetooth printer**.
4. In the list of available printers, select the one you want to use, and then click **Next**.

Note:

- In the list of available printers, the WSD printer is displayed in the form of **http://IP address/ws/**.
 - If no WSD printer is displayed in the list, enter the printer's IP address manually to create a WSD printer. To enter the printer's IP address manually, follow the instructions below. For Windows Server 2008 R2, to create a WSD printer, you must be a member of Administrators group.
 1. Click **The printer that I want isn't listed**.
 2. Select **Add a printer using a TCP/IP address or hostname** and click **Next**.
 3. Select **Web Services Device** from **Device type**.
 4. Enter the printer's IP address in the **Hostname or IP address** text box and click **Next**.
 - Before installing the driver using the **Add Printer** wizard on Windows Server 2008 R2 or Windows 7, perform one of the followings:
 - Establish the Internet connection so that Windows Update can scan your computer.
 - Add the print driver to your computer in advance.
5. If prompted, install the print driver on your computer. If you are prompted for an administrator password or confirmation, type the password or provide confirmation.
 6. Complete the additional steps in the wizard, and then click **Finish**.
 7. Print a test page to verify print installation.
 - a Click **Start — Control Panel — Hardware and Sound — Printers (Start — Devices and Printers** for Windows Server 2008 R2 and Windows 7).
 - b Right-click the printer you just created, and then click **Properties (Printer properties** for Windows Server 2008 R2 and Windows 7).
 - c On the **General** tab, click **Print Test Page**. When a test page is printed successfully, installation is complete.

Chapter 6

Using the Operator Panel Menus


Understanding the Printer Menus

When your printer is configured as a network printer available to a number of users, the access to the operator panel menus can be limited. This prevents unauthorized users from using the operator panel to inadvertently change the default menu settings that has been set by the administrator. However, you can use settings for individual print jobs using the print driver. Print settings selected from the print driver have precedence over the default menu settings selected from the operator panel.

Information Pgs

Use the Information Pgs menu to print the settings and history information of your printer.

Note:

A password is required to enter the operator panel menus when Panel Lock Set is set to Enable. In this case, enter the password you specified, and press the  button.

Printer Settings

Purpose:

To print a list of the information such as the printer name, the status of the printer, and the network settings.

Panel Settings

Purpose:

To print a detailed list of all the settings on the operator panel menus.

Job History

Purpose:

To print a detailed list of the print jobs that have been processed. This list contains the last 10 jobs.

Error History

Purpose:

To print a detailed list of paper jams and fatal errors.

Billing Meters

Use **Billing Meters** to check the total number of printed pages.

Note:

A password is required to enter the operator panel menus when **Panel Lock Set** is set to **Enable**. In this case, enter the password you specified, and press the **OK** button.

Values:

Total Impression	Displays the total number of color and monochrome prints (Color Impression + Black Impression).
Color Impression	Displays the total number of color prints.
Black Impression	Displays the total number of monochrome prints.

Admin Menu

Use the **Admin Menu** menu to configure a variety of printer features.

Note:

A password is required to enter the operator panel menus when **Panel Lock Set** is set to **Enable**. In this case, enter the password you specified, and press the **OK** button.

Network Setup

Use the **Network Setup** menu to change the printer settings affecting jobs sent to the printer through the wired or wireless network.

Note:

Values marked by an asterisk (*) are the factory default menu settings.

Ethernet

Purpose:

To specify the communication speed and the duplex settings of Ethernet. The change becomes effective after the printer is turned off and then on.

Values:

Auto*	Detects the Ethernet settings automatically.
--------------	--

10Base Half	Uses 10base-T half-duplex.
10Base Full	Uses 10base-T full-duplex.
100Base Half	Uses 100base-TX half-duplex.
100Base Full	Uses 100base-TX full-duplex.

Note:

This item is displayed only when the printer is connected with a wired network.

Wireless Status (Epson AcuLaser C1750W Only)**Purpose:**

To display the information on the wireless signal strength. No changes can be made on the operator panel to improve the status of the wireless connection.

Values:

Good	Indicates good signal strength.
Acceptable	Indicates marginal signal strength.
Low	Indicates insufficient signal strength.
No Reception	Indicates that no signal is received.

Note:

This item is displayed only when the printer is connected with a wireless network.

Wireless Setup (Epson AcuLaser C1750W Only)**Purpose:**

To configure the wireless network interface.

Values:

Manual Setup	Enter (SSID)	Specify a name to identify the wireless network. Up to 32 alphanumeric characters can be entered.		
	Infrastructure	Select when you configure the wireless setting through the access point such as a wireless router.		
		No Security	Specify No Security to configure the wireless setting without specifying a security method from WEP, WPA-PSK-TKIP, and WPA2-PSK-AES.	
		WEP(64Bit)	Specify the WEP 64bit Key to use through the wireless network. Enter 10 hexadecimal characters.	
			Transmit Key	Specify the transmit key from WEP Key 1, WEP Key 2, WEP Key 3, and WEP Key 4.
		WEP(128Bit)	Specify the WEP 128bit Key to use through the wireless network. Enter 26 hexadecimal characters.	
			Transmit Key	Specify the transmit key from WEP Key 1, WEP Key 2, WEP Key 3, and WEP Key 4.
		WPA-PSK-TKIP	Select to configure the wireless setting with the security method of WPA-PSK-TKIP.	
			PassPhraseEntry	Specify the pass phrase of alphanumeric characters from 8 to 63 only when WPA-PSK-TKIP is selected for Encryption Type.
		WPA2-PSK-AES	Select to configure the wireless setting with the security method of WPA2-PSK-AES.	
			PassPhraseEntry	Specify the pass phrase of alphanumeric characters from 8 to 63 only when WPA2-PSK-AES is selected for Encryption Type.

	Ad-hoc	Select to configure the wireless setting without the access point such as a wireless router.		
		No Security	Specify No Security to configure the wireless setting without specifying the security method from WEP.	
		WEP(64Bit)	Specify the WEP 64bit Key to use through the wireless network. Enter 10 hexadecimal characters.	
			Transmit Key	Specify the transmit key from WEP Key 1, WEP Key 2, WEP Key 3, and WEP Key 4.
		WEP(128Bit)	Specify the WEP 128bit Key to use through the wireless network. Enter 26 hexadecimal characters.	
			Transmit Key	Specify the transmit key from WEP Key 1, WEP Key 2, WEP Key 3, and WEP Key 4.
WPS	Push Btn. Ctrl	Configures the wireless setting with the security method of WPS-PBC.		
	PIN Code	Start Config.	Configures the wireless setting using the PIN code assigned automatically by the printer.	
		Print PIN Code	Prints the PIN code. Confirm it when you enter the PIN code to your computer.	

Note:

This item is displayed only when the printer is connected with a wireless network.

Init Wireless (Epson AcuLaser C1750W Only)**Purpose:**

To initialize wireless network settings. After executing this function and rebooting the printer, all wireless network settings are reset to their factory default values.

Note:

This item is displayed only when the printer is connected with a wireless network.

TCP/IP**Purpose:**

To configure TCP/IP settings. The change becomes effective after the printer is turned off and then on.

Values:

IP Mode	Dual Stack*		Uses both IPv4 and IPv6 to set the IP address.
	IPv4 Mode		Uses IPv4 to set the IP address.
	IPv6 Mode		Uses IPv6 to set the IP address.
IPv4	Get IP Address	DHCP/AutoIP*	Automatically sets the IP address.
		BOOTP	Uses BOOTP to set the IP address.
		RARP	Uses RARP to set the IP address.
		DHCP	Uses DHCP to set the IP address.
		Panel	Enables the IP address entered on the operator panel.
	IP Address		Manually sets the IP address allocated to the printer.
	Network Mask		Manually sets the subnet mask.
	Gateway Address		Manually sets the gateway address.

*Protocol***Purpose:**

To enable or disable each protocol. The change becomes effective after the printer is turned off and then on.

Values:

LPR	Disable	Disables the Line Printer Daemon (LPR) port.
	Enable*	Enables the LPR port.
Port 9100	Disable	Disables the Port9100 port.
	Enable*	Enables the Port9100 port.
WSD	Disable	Disables the WSD port.
	Enable*	Enables the WSD port.
SNMP	Disable	Disables the Simple Network Management Protocol (SNMP) UDP port.
	Enable*	Enables the SNMP UDP port.

Email Alerts	Disable	Disables the Email Alerts feature.
	Enable*	Enables the Email Alerts feature.
EpsonNet Config	Disable	Disables an access to EpsonNet Config embedded in the printer.
	Enable*	Enables an access to EpsonNet Config embedded in the printer.
Bonjour (mDNS)	Disable	Disables the Bonjour (mDNS).
	Enable*	Enables the Bonjour (mDNS).

Host Access List

Purpose:

To control the access from the specified IP addresses. The change becomes effective after the printer is turned off and then on.

Values:

No.1-5/Address	Specifies the IP address which you want to control the access to your printer.	
No.1-5/Mask	Sets the subnet mask for the specified IP address.	
No.1-5/Mode	Off*	Selects whether to accept or reject the access from the specified IP address.
	Accept	
	Reject	

Reset Defaults

Purpose:

To initialize wired network data stored in Non-Volatile Memory (NVM). After executing this function and rebooting the printer, all wired network settings are reset to their default values.

Wireless LAN (Epson AcuLaser C1750W Only)

Purpose:

To enable the wireless connection.

Values:

Enable*	Enables the wireless connection.
Disable	Disables the wireless connection.

USB Setup

Use the **USB Setup** menu to change printer settings affecting a USB port.

Note:

Values marked by an asterisk (*) are the factory default menu settings.

Port Status

Purpose:

To change the USB settings on your printer. The change becomes effective after the printer is turned off and then on.

Values:

Disable	Disables the USB interface.
Enable*	Enables the USB interface.

System Setup

Use the **System Setup** menu to configure the power saving mode, time-out time, job log auto print, mm/inch setting, default paper size setting, and low toner alert setting.

Note:

Values marked by an asterisk (*) are the factory default menu settings.

PowerSaver Time

Purpose:


To specify the time for transition to Power Saver Mode.

Values:

Mode1	5min.*	Specifies the time taken by the printer before it enters Mode1 after it finishes a job.
	5-30min.	
Mode2	6min.*	Specifies the time taken by the printer before it enters Mode2 after it goes into Mode1.
	1-6min.	

Enter **5** in Mode 1 to put the printer in Mode 1 five minutes after it finishes a job. This uses less energy, but requires more warm-up time for the printer. Enter **5** if your printer shares an electrical circuit with room lighting and you notice lights flickering.

Select a high value if your printer is in constant use. In most circumstances, this keeps the printer ready to operate with minimum warm-up time. Select a value between 5 and 30 minutes for Mode 1 if you want a balance between energy consumption and a shorter warm-up period.

The printer automatically returns to the standby mode from the Power Saver Mode when it receives data from the computer. In Mode 1, you can also return the printer to the standby mode by pressing any button on the operator panel. In Mode 2, you can return the printer to the standby mode by pressing the  (**Energy Saver**) button.

Fault Time-Out

Purpose:

To specify the time taken by the printer before it cancels jobs that stop abnormally. The print job is cancelled if it times out.

Values:

Off		Disables the fault time-out.
On	60sec.*	Specifies the time taken by the printer before it cancels for jobs that stop abnormally.
	3-300sec.	

Time-Out

Purpose:

To specify the amount of time that the printer waits for data to arrive from the computer. The print job is cancelled if it times out.

Values:

Off		Disables the job time-out.
On	30sec.*	Specifies the amount of time that the printer waits for data to arrive from the computer.
	5-300sec.	

*Auto Log Print***Purpose:**

To automatically print a job history report after every 10 jobs.

Values:

Off*	Does not automatically print a job history report.
On	Automatically prints a job history report.

Note:

The Job History report can also be printed using the Information Pgs menu.

*mm/inch***Purpose:**

To specify the measurement unit displayed after the numeric value on the operator panel.

Values:

millimeter(mm)*	Specifies the default measurement unit.
inch(")	

*Def. Paper Size***Purpose:**

To specify the default paper size.

Values:

A4 - 210x297*
Letter - 8.5x11

*Low Toner Msg***Purpose:**

To specify whether to show the alert message when the toner is low.

Values:

Off	Does not show the alert message when the toner is low.
On*	Shows the alert message when the toner is low.

Maintenance Mode

Use the **Maintenance Mode** menu to initialize Non-Volatile Memory (NVM), configure the plain paper quality adjustment settings, and configure the security settings.

Note:

Values marked by an asterisk (*) are the factory default menu settings.

*F/W Version***Purpose:**

To display the version of the controller.

*Adjust PaperType***Purpose:**

To adjust the paper type.

Values:

Plain	Light
	Normal*
Labels	Light
	Normal*

*Adjust BTR***Purpose:**

To specify the optimum voltage settings for printing for the transfer roller (BTR). To lower the voltage, set negative values. To increase, set positive values.

The default settings may not give the best output on all paper types. If you see mottles on the print output, try to increase the voltage. If you see white spots on the print output, try to decrease the voltage.

Note:

The print quality changes depending on the values you select for this item.

Values:

Plain	0*
	-3 – +3
Bond	0*
	-3 – +3
Light Card	0*
	-3 – +3
Labels	0*
	-3 – +3
LW Gloss Card	0*
	-3 – +3
Envelope	0*
	-3 – +3
Recycled	0*
	-3 – +3

Adj. Fusing Unit**Purpose:**

To specify the optimum temperature settings for printing for the fusing unit. To lower the temperature, set negative values. To increase, set positive values.

The default settings may not give the best output on all paper types. When the printed paper has curled, try to lower the temperature. When the toner does not fuse on the paper properly, try to increase the temperature.

Note:

The print quality changes depending on the values you select for this item.

Values:

Plain	0*
	-3 – +3
Bond	0*
	-3 – +3
Light Card	0*
	-3 – +3
Labels	0*
	-3 – +3
LW Gloss Card	0*
	-3 – +3
Envelope	0*
	-3 – +3
Recycled	0*
	-3 – +3

*Auto Regi Adj***Purpose:**

To specify whether to automatically adjust color registration.

Values:

Off	Does not automatically adjust color registration.
On*	Automatically adjusts color registration.

*Adjust ColorRegi***Purpose:**

To specify whether to manually adjust color registration.

Color registration adjustments need to be made during the initial setup of the printer or when the printer is moved to a different location.

Values:

Auto Adjust	Automatically corrects color registration.		
Color Regi Chart	Prints a color registration chart. The color registration chart prints a lattice pattern of yellow, magenta, and cyan lines. On the chart, find the values on the right side that are next to the line that is perfectly straight for each of the three colors. If the value for this line is 0, color registration is not needed. If the value for this line is any value other than 0, specify the adjustment values under Enter Number .		
Enter Number	Enter (Y,M,C)	0, 0, 0*	Specifies lateral (perpendicular to paper feed direction) color adjustment values individually for Y (Yellow), M (Magenta) and C (Cyan).
		-5 - +5	
	Enter (LY,LM,L C)	0, 0, 0*	Specifies process (paper feed direction) color adjustment values individually for LY (Left Yellow), LM (Left Magenta) and LC (Left Cyan).
		-5 - +5	
	Enter (RY,RM, RC)	0, 0, 0*	Specifies process (paper feed direction) color adjustment values individually for RY (Right Yellow), RM (Right Magenta) and RC (Right Cyan).
		-5 - +5	

*Clear Developer***Purpose:**

To rotate the developer motor and stir the toner in the toner cartridge.

*Toner Refresh***Purpose:**

To use up a toner cartridge when you need to replace it before the end of its life, or to stir the toner in a new toner cartridge.

Values:

Yellow	Cleans the toner in the yellow toner cartridge.
Magenta	Cleans the toner in the magenta toner cartridge.
Cyan	Cleans the toner in the cyan toner cartridge.
Black	Cleans the toner in the black toner cartridge.

*BTR Refresh***Purpose:**

Specify whether to execute counter measures for curling/separating discharge of the paper.

Values:

Off*	Does not automatically execute counter measures for curling/separating discharge of the paper.
On	Automatically executes counter measures for curling/separating discharge of the paper.

Chart**Purpose:**

To print various charts that can be used for diagnosing your printer.

Values:

Ghost	Prints a chart to check for ghost printing.
4Colors	Prints bands of yellow, magenta, cyan, and black with varying density.
Alignment	Prints a chart, and then check for proper alignment of the print image on the paper.
Drum Refresh	Prints a chart to check the light fatigue of the drum cartridge.

Initialize NVM**Purpose:**

To initialize NVM for system parameters. After executing this function and rebooting the printer, all the menu parameters, except the parameters for the network, are reset to their factory default values.

See Also:

“Resetting to Factory Defaults” on page 151

Non-GenuineToner**Purpose:**

To use toner cartridge of another manufacturer.

Note:

- Using non-genuine toner cartridges may make some printer features unusable, reduce print quality and decrease the reliability of your printer. Epson recommends only new Epson brand toner cartridges for your printer. Epson does not provide warranty coverage for problems caused by using accessories, parts, or components not supplied by Epson.*
- Before you use toner cartridge of another manufacturer, be sure to restart the printer.*

Values:

Off*	Does not use toner cartridge of another manufacturer.
On	Uses toner cartridge of another manufacturer.

Adjust Altitude**Purpose:**

To specify the altitude of the location where the printer is installed.

The discharge phenomenon for charging the photo conductor varies with barometric pressure. Adjustments are performed by specifying the altitude of the location where the printer is being used.

Note:

An incorrect altitude adjustment setting leads to poor printing quality, incorrect indication of remaining toner.

Values:

0m*	Specifies the altitude of the location where the printer is installed.
1000m	
2000m	
3000m	

Secure Settings

Use the **Secure Settings** menu to set a password to limit access to the menus. This prevents items from being changed accidentally.

Note:

Values marked by an asterisk () are the factory default menu settings.*

Panel Lock**Panel Lock Set****Purpose:**

To restrict access to the operator panel menus.

See Also:

“Panel Lock Function” on page 149

Values:

Disable*	Does not restrict access to the operator panel menus.	
Enable	Restricts access to the operator panel menus with a password.	
	New Password	Sets a password required to access the operator panel menus.
	Re-enter	Enters the new password again to confirm.

Change Password**Purpose:**

To change a password to limit access to the operator panel menus.

Values:

Current Password	Enter the current password to change the password.
New Password	Enter the new password.
Re-enter	Enter the new password again to confirm.

Note:

This item is displayed only when Panel Lock Set is set to Enable.

Login Error**Purpose:**

To set the maximum number of failed login attempts before an administrator is denied access to the operator panel menus.

Values:

Off*	Does not set the maximum number of failed login attempts.	
On	5times	Sets the maximum number of failed login attempts.
	1 - 10	

Panel Language

Note:

Values marked by an asterisk (*) are the factory default menu settings.

Purpose:

To specify the language to be used on the operator panel.

See Also:

“Adjusting the Language” on page 128



Values:

English*
Français
Italiano
Deutsch
Español
Nederlands
Português
Русский
Türkçe

Panel Lock Function

This feature prevents unauthorized users from changing settings made by the administrator. However, you can select settings for individual print jobs using the print driver.

Enabling the Panel Lock

1. Press the  (**Menu**) button.
2. Select Admin Menu, and then press the  button.

3. Select `Secure Settings`, and then press the **OK** button.
4. Select `Panel Lock`, and then press the **OK** button.
5. Select `Panel Lock Set`, and then press the **OK** button.
6. Select `Enable`, and then press the **OK** button.
7. Enter the new password, and then press the **OK** button.
8. Re-enter the password to confirm the password that you entered, and then press the **OK** button.

Note:

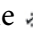


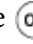




- ❑ *If you forget your password, turn off the printer. Then, while holding the **≡ (Menu)** button, turn on the printer. Continue to hold the **≡ (Menu)** button until the display indicates to enter the new password. Release the **≡ (Menu)** button and enter the new password, and then press the **OK** button. Re-enter the password to confirm, and then press the **OK** button. The display will briefly indicate the password has been changed.*
- ❑ *If you change the password, perform steps 1. Enter the current password, and then press the **OK** button. Perform steps 2 to 4. Select `Change Password`, and then press the **OK** button. Enter the current password, and then press the **OK** button. Perform steps 7 and 8. This will change the password.*

Disabling the Panel Lock


1. Press the **≡ (Menu)** button.
2. Enter the password, and then press the **OK** button.
3. Select `Admin Menu`, and then press the **OK** button.
4. Select `Secure Settings`, and then press the **OK** button.
5. Select `Panel Lock`, and then press the **OK** button.
6. Select `Panel Lock Set`, and then press the **OK** button.
7. Select `Disable`, and then press the **OK** button.
8. Enter the current password, and then press the **OK** button.

Setting the PowerSaver Time Option

You can set the power saver time for the printer. The printer switches to the Power Saver Mode after the specified time.

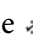



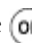
1. Press the  (**Menu**) button.
2. Select `Admin Menu`, and then press the  button.
3. Select `System Setup`, and then press the  button.
4. Select `PowerSaver Time`, and then press the  button.
5. Select `Mode1` or `Mode2`, and then press the  button.
6. Press the  or  button to select the desired value, and then press the  button.

You can select from 5–30 minutes for `Mode1` or 1–6 minutes for `Mode2`.

7. To return to the previous screen, press the  (**Back**) button.

Resetting to Factory Defaults

After executing `Initialize NVM` and rebooting the printer, all the menu parameters or data, except the parameters for the network are reset to their factory default values.

1. Press the  (**Menu**) button.
2. Select `Admin Menu`, and then press the  button.
3. Select `Maintenance Mode`, and then press the  button.
4. Select `Initialize NVM`, and then press the  button.
5. Ensure that `Are you sure?` appears, and then press the  button. The printer starts initializing the Non-Volatile Memory (NVM).
6. When the `Initialized.` message appears, turn off and then on the printer to apply the settings.

Chapter 7

Troubleshooting

Clearing Jams

Careful selection of appropriate print media and proper loading allow you to avoid most jams.

See also:

- ❑ “About Print Media” on page 91
- ❑ “Supported Print Media” on page 92

Note:

Before buying large quantities of any print media, it is recommended that you try a sample first.

Avoiding Jams

- ❑ Use only recommended print media.
- ❑ See “Loading Print Media in the Multipurpose Feeder (MPF)” on page 96 and “Loading Print Media in the Priority Sheet Inserter (PSI)” on page 105 to load print media properly.
- ❑ Do not overload the print media sources. Ensure that the stacked print media does not exceed the maximum height indicated on the paper width guides.
- ❑ Do not load wrinkled, creased, damp, or curled print media.
- ❑ Flex, fan, and straighten print media before you load it. If a jam occurs with print media, try feeding one sheet at a time through the MPF or the PSI.
- ❑ Do not use print media that you have cut or trimmed.
- ❑ Do not mix print media sizes, weights, or types in the same print media source.
- ❑ Ensure that the recommended print side is face up when you insert the print media.
- ❑ Keep print media stored in an acceptable environment.
- ❑ Do not remove the PSI during a print job.
- ❑ Ensure that all cables that connect to the printer are correctly attached.

- ❑ Overtightening the guides may cause jams.

See also:

- ❑ “About Print Media” on page 91
- ❑ “Supported Print Media” on page 92

Identifying the Location of Paper Jams



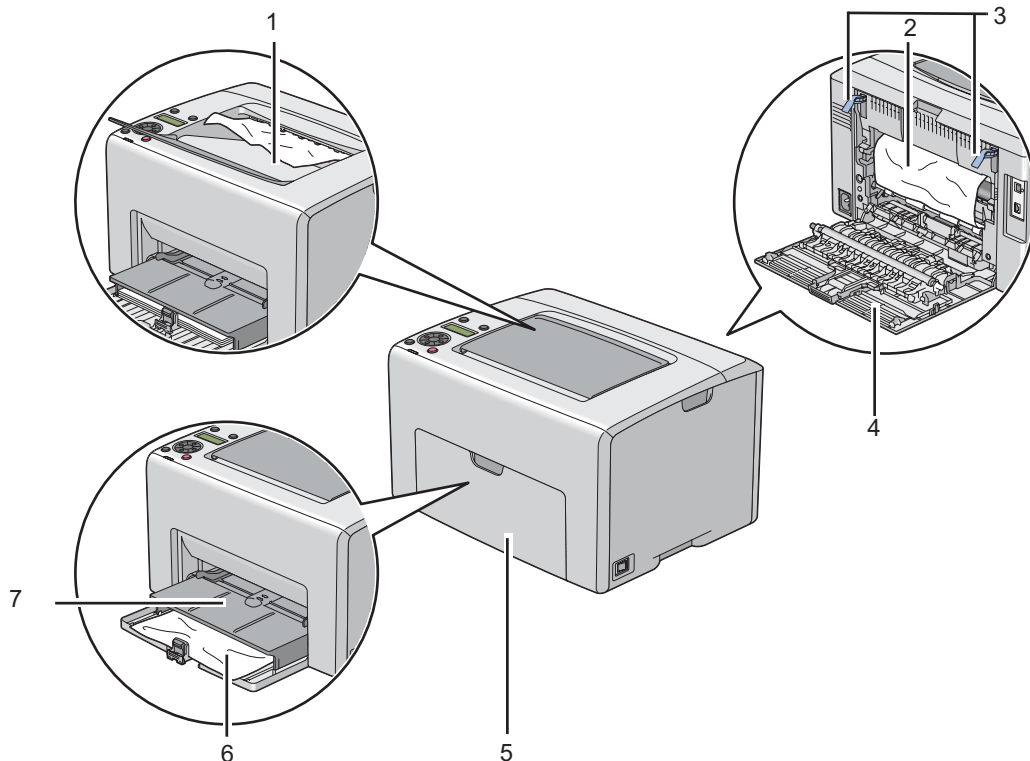
Caution:

Do not attempt to remove a paper jammed deeply inside the product, particularly a paper wrapped around a Fusing Unit or a heat roller. Otherwise, it may cause injuries or burns. Switch off the product promptly and contact your local Epson representative.

Important:

Do not attempt to clear any jams using tools or instruments. This may permanently damage the printer.

The following illustration shows where paper jams may occur along the print media path.



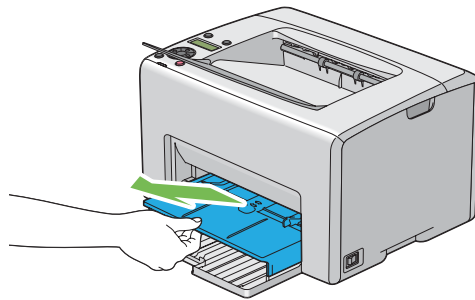
- 1 Center Output Tray
- 2 Transfer Belt
- 3 Levers
- 4 Rear Door
- 5 Front Cover
- 6 Multipurpose feeder (MPF)
- 7 Priority Sheet Inserter (PSI)

Clearing Paper Jams From the Front of the Printer

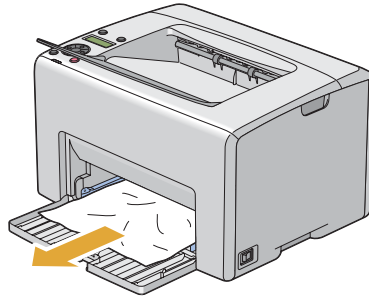
Note:

To resolve the error displayed on the LCD panel, you must clear all print media from the print media path.

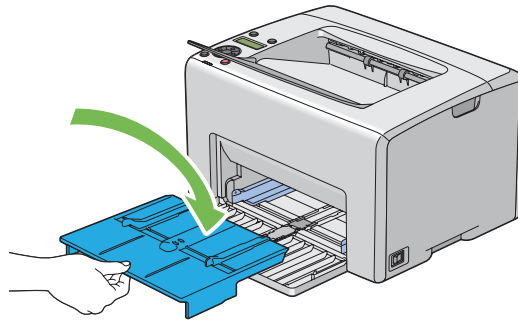
1. Pull the PSI out.



2. Remove any paper jammed from the front of the printer.



3. Replace the PSI in the printer.



Important:

Do not use excessive force on the PSI. Doing so could damage it or the inside of the printer.

Clearing Paper Jams From the Back of the Printer

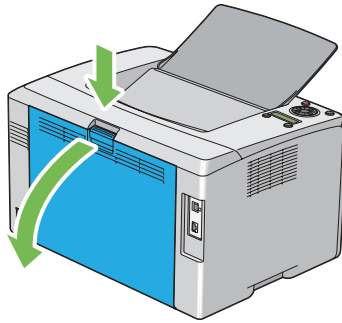
Important:

- To prevent electric shock, always turn off the printer and disconnect the power cord from the grounded outlet before performing maintenance.*
- To avoid burns, do not clear paper jams immediately after printing. The fusing unit becomes extremely hot during use.*

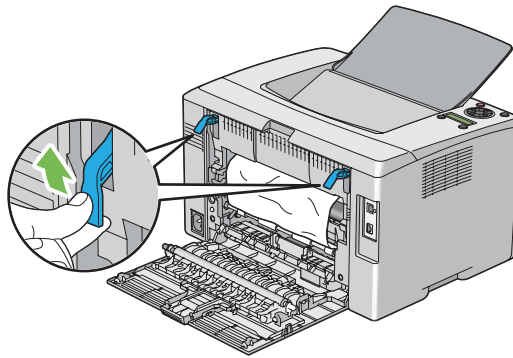
Note:

To resolve the error displayed on the LCD panel, you must clear all print media from the print media path.

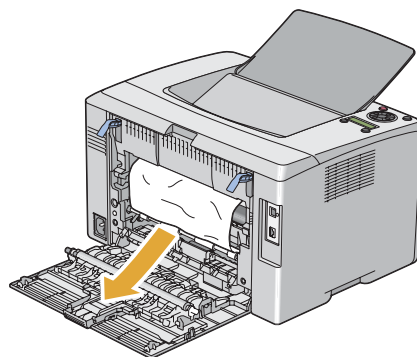
1. Push the rear cover handle and open the rear door.



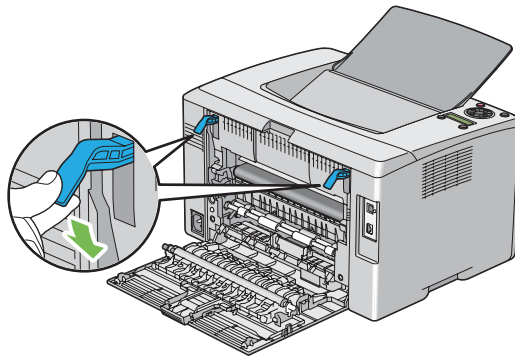
2. Lift up the levers.



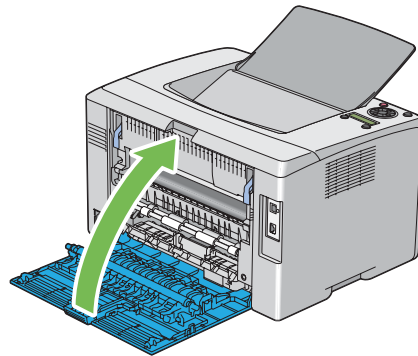
3. Remove any paper jammed from the back of the printer.



4. Lower the levers to their original position.



5. Close the rear door.



Clearing Paper Jams From the Center Output Tray

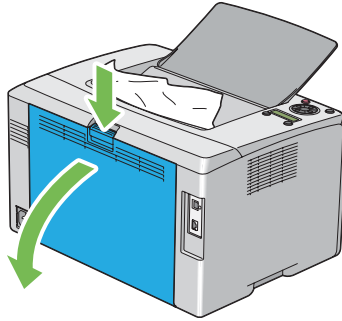
Important:

- ❑ To prevent electric shock, always turn off the printer and disconnect the power cord from the grounded outlet before performing maintenance.
- ❑ To avoid burns, do not clear paper jams immediately after printing. The fusing unit becomes extremely hot during use.

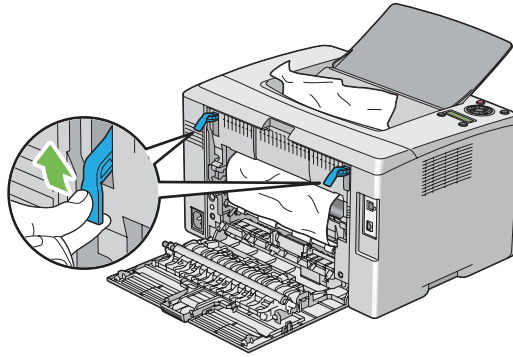
Note:

To resolve the error displayed on the LCD panel, you must clear all print media from the print media path.

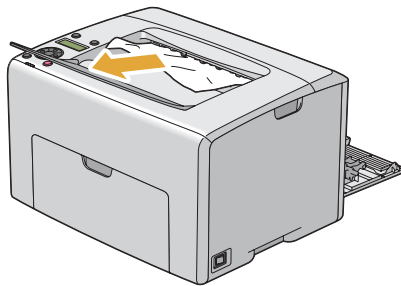
1. Push the rear cover handle and open the rear door.



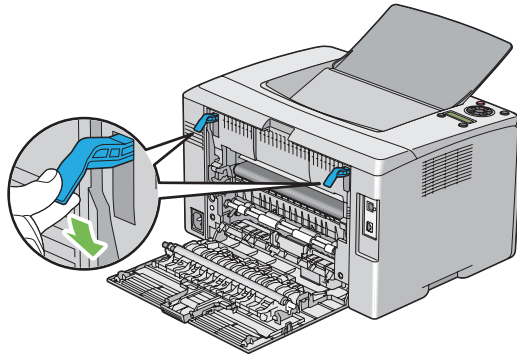
2. Lift up the levers.



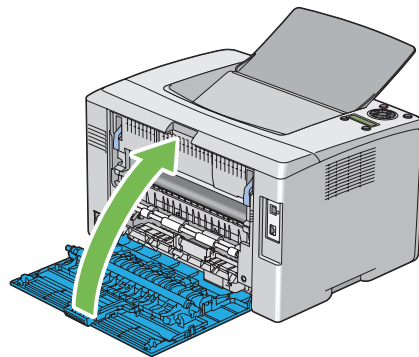
3. Remove any paper jammed from the back of the printer. If no paper is found in the paper path, then remove any paper jammed out of the center output tray.



4. Lower the levers to their original position.



5. Close the rear door.



Jam Problems

Misfeed jam

Problem	Action
Print media misfeeds occur.	Remove the paper from the PSI, and then ensure that the paper is properly inserted in the MPF.
	Depending on the print media you use, take any of the following actions: <ul style="list-style-type: none"> <input type="checkbox"/> For thick paper, use the one that is 163 gsm or less. <input type="checkbox"/> For thin paper, use the one that is 60 gsm or more. <input type="checkbox"/> For the envelope, ensure that it is properly loaded in the MPF or the PSI as instructed in "Loading Envelope in the Multipurpose Feeder (MPF)" on page 102 or "Loading Envelope in the Priority Sheet Inserter (PSI)" on page 108.
	If the envelope is deformed, correct it or use another envelope.
	If performing manual duplex printing, ensure that the print media is not curled.
	Fan the print media.
	If the print media is damp, turn over the print media.
	If the problem continues, use print media that is not damp.

Note:

If the problem continues even though you have taken suggested actions described above, contact the Epson local representative office or an authorised dealer.

Multi-feed jam

Problem	Action
Print media multiple feeds occur.	Remove the paper from the PSI, and then ensure that the paper is inserted properly in the MPF.
	If the print media is damp, use print media that is not damp.
	Fan the print media.

Note:

If the problem continues even though you have taken suggested actions described above, contact the Epson local representative office or an authorised dealer.

Basic Printer Problems

Some printer problems can be easy to resolve. If a problem occurs with your printer, check each of the following:

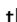

- The power cord is connected to the printer, and to a properly grounded electrical outlet.
- The printer is turned on.
- The electrical outlet is not turned off at any switch or breaker.
- Other electrical equipment plugged into the outlet is working.
- When your printer is connected to the computer with the Wireless connection, the Ethernet cable is not connected between the printer and the network.

If you have checked all of the above and still have a problem, turn off the printer, wait for 10 seconds, and then turn on the printer. This often fixes the problem.

Display Problems

Problem	Action
After the printer is turned on, the display on the LCD panel is blank, keeps showing <code>Please wait...</code> , or the back light is not lit.	Turn off the printer, wait for 10 seconds, and turn on the printer. Self Test Message appears on the LCD panel. When the test is completed, <code>Ready</code> is displayed.
Menu settings changed from the operator panel have no effect.	Settings in the software program, the print driver, or the printer utilities have precedence over the settings made on the operator panel. Change the menu settings from the print driver, the printer utilities, or the software program instead of the operator panel.

Printing Problems

Problem	Action
Job did not print or incorrect characters printed.	Ensure that Ready appears on the LCD panel before you send a job to print. Press the  (Menu) button to return to Ready .
	Ensure that print media is loaded in the printer. Press the  (Menu) button to return to Ready .
	Verify that you are using the correct print driver.
	Ensure that you are using the correct Ethernet or USB cable and that it is securely connected to the printer.
	Verify that the correct print media size is selected.
	If you are using a print spooler, verify that the spooler has not stalled.
	<p>Check the interface of your printer from Admin Menu.</p> <p>Determine the host interface you are using. Print a Printer Settings page to verify that the current interface settings are correct. Refer to "Printing a Printer Settings Page" on page 125 for details on how to print a Printer Settings page.</p>

Problem	Action
Print media misfeeds or multiple feeds occur.	Ensure that the print media you are using meets the specifications for your printer. See also: "Usable Print Media" on page 93
	Fan the print media before loading it.
	Ensure that the print media is loaded correctly.
	Ensure that the paper width guides and length guide are adjusted correctly.
	Ensure that the PSI is securely inserted.
	Do not overfill the print media sources.
	Do not force print media into the PSI or the MPF when you load it. Otherwise, it may skew or buckle.
	Ensure that the print media is not curled.
	Load the recommended print side correctly for the type of print media you are using. See also: "Loading Print Media" on page 95
	Turn the print media over or around and try printing again to see if feeding improves.
	Do not mix print media types.
	Do not mix reams of print media.
	The envelope is creased after printing.
Page breaks in unexpected places.	Increase the value for Job Time-Out in the System Settings menu, that is on the Printer Maintenance tab in the Printer Setting Utility.
	Increase the time-out value in the Protocol Settings menu on EpsonNet Config.
Print media does not stack neatly in the center output tray.	Turn the print media stack over in the PSI and MPF.
Job prints from the wrong source or on the wrong print media.	Check Paper Type in the print driver.

Print Quality Problems

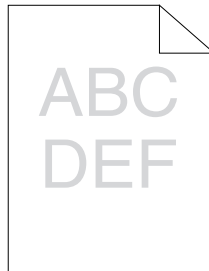
Note:

In this section, some procedures use the Printer Setting Utility or Status Monitor. Some procedures that use the Printer Setting Utility can also be performed using the operator panel.

See also:

- ❑ “Understanding the Printer Menus” on page 132
- ❑ “Printer Setting Utility (Windows Only)” on page 21
- ❑ “Status Monitor (Windows Only)” on page 22

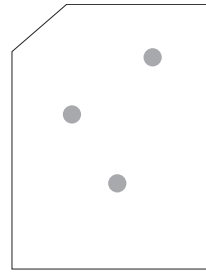
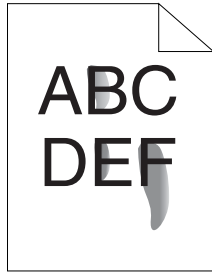
The Output Is Too Light



Problem	Action
The output is too light.	<p>The toner cartridges may be low or need to be replaced. Confirm the amount of toner in each toner cartridge.</p> <ol style="list-style-type: none"> 1. Check the toner level in the Status tab in the Status Monitor window. 2. Replace the toner cartridges as necessary.
	<p>Verify that the print media is dry and the correct print media is used. If not, use the print media recommended for the printer.</p> <p>See also: “Usable Print Media” on page 93</p>
	<p>Try changing the Paper Type setting in the print driver.</p> <ol style="list-style-type: none"> 1. On the Paper / Output tab in Printing Preferences of the print driver, change the Paper Type setting.
	<p>Disable Draft Mode in the print driver.</p> <ol style="list-style-type: none"> 1. On the Advanced Settings tab in Printing Preferences of the print driver, ensure that the Draft Mode check box is not selected.

Note:

If the problem continues even though you have taken suggested actions described above, contact the Epson local representative office or an authorised dealer.

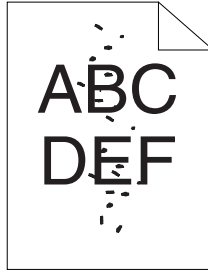
Toner Smears or Print Comes Off/Stain on Back Side

Problem	Action
Toner smears or print comes off. The output has stain on the back side.	The print media surface may be uneven. Try changing the Paper Type setting in the print driver. For example, change Plain to Lightweight Cardstock. 1. On the Paper / Output tab in Printing Preferences of the print driver, change the Paper Type setting.
	Verify that the correct print media is being used. If not, use the print media recommended for the printer. See also: "Usable Print Media" on page 93
	Adjust the temperature of the fusing unit. 1. Launch the Printer Setting Utility, and click Adjust Fusing Unit on the Printer Maintenance tab. 2. Adjust the fixing temperature by turning up the value for your printing media. 3. Click the Apply New Settings button.

Note:

If the problem continues even though you have taken suggested actions described above, contact the Epson local representative office or an authorised dealer.

Random Spots/Blurred Images

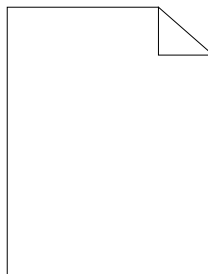


Problem	Action
The printed result has random spots or is blurred.	Ensure that the toner cartridges are installed correctly. See also: "Installing a Toner Cartridge" on page 204
	If you use non-genuine brand toner cartridges, install genuine brand toner cartridges.
	Clean up the fusing unit. 1. Load one sheet of paper on the MPF, and then print a solid image all over paper. 2. Load the printed sheet with the side to be printed on facing down, and then print a blank sheet of paper.

Note:

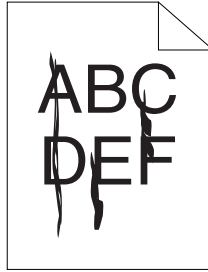
If the problem continues even though you have taken suggested actions described above, contact the Epson local representative office or an authorised dealer.

The Entire Output Is Blank



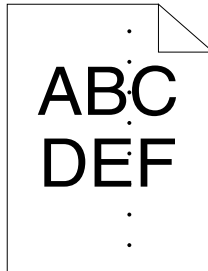
If this trouble happens, contact the Epson local representative office or an authorised dealer.

Streaks Appear on the Output



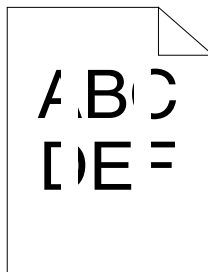
If this trouble happens, contact the Epson local representative office or an authorised dealer.

Pitched Color Dots



If this trouble happens, contact the Epson local representative office or an authorised dealer.

Vertical Blanks



Problem	Action
The printed result has vertical blanks.	<p>Clean inside the printer and perform test print.</p> <ol style="list-style-type: none"> 1. Clean inside the printer by using the print head cleaning rod. 2. Click Print Test Page in the Properties window of the print driver. <p>See also: "Cleaning Inside the Printer" on page 196</p>

Note:

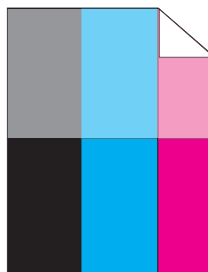
If the problem continues even though you have taken suggested actions described above, contact the Epson local representative office or an authorised dealer.

Mottle

Problem	Action
The printed result has mottled appearance.	<p>Adjust the transfer bias.</p> <ol style="list-style-type: none"> 1. Launch the Printer Setting Utility, click Adjust BTR on the Printer Maintenance tab. 2. Adjust the setting for the type of print media being used. 3. Click the Apply New Settings button.
	If you use non-recommended print media, use the print media recommended for the printer.

Note:

If the problem continues even though you have taken suggested actions described above, contact the Epson local representative office or an authorised dealer.

Ghosting

Problem	Action
The printed result has ghosting.	<p>Adjust the transfer bias.</p> <ol style="list-style-type: none"> 1. Launch the Printer Setting Utility, and click Chart Print on the Diagnosis tab. 2. Click the Ghost Configuration Chart button. <p>The Ghost Configuration Chart is printed.</p> <ol style="list-style-type: none"> 3. Click BTR Refresh Mode on the Printer Maintenance tab. 4. Select the check box next to On, and then click the Apply New Settings button. 5. Click Chart Print on the Diagnosis tab. 6. Click the Ghost Configuration Chart button. <p>The Ghost Configuration Chart is printed.</p>
	<p>The print media surface may be uneven. Try changing the Paper Type setting in the print driver. For example, change Plain to Lightweight Cardstock.</p> <ol style="list-style-type: none"> 1. On the Paper / Output tab in Printing Preferences of the print driver, change the Paper Type setting.
	<p>Adjust the temperature of the fusing unit.</p> <ol style="list-style-type: none"> 1. Launch the Printer Setting Utility, and click Adjust Fusing Unit on the Printer Maintenance tab. 2. Adjust the fixing temperature by turning up the value for your printing media. 3. Click the Apply New Settings button.
	<p>If you use non-recommended print media, use the print media recommended for the printer.</p>

Note:

If the problem continues even though you have taken suggested actions described above, contact the Epson local representative office or an authorised dealer.

Fog

Problem	Action
The printed result is foggy.	When the whole is printed light, contact the Epson local representative office or an authorised dealer.
	When the printed page is partly light, start Developer Stir Mode . 1. Launch the Printer Setting Utility, and click Developer Stir Mode on the Diagnosis tab. 2. Click the Start button.

Note:

If the problem continues even though you have taken suggested actions described above, contact the Epson local representative office or an authorised dealer.

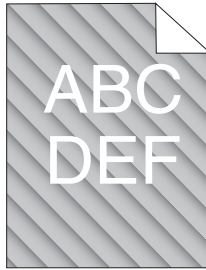
Bead-Carry-Out (BCO)

Problem	Action
Bead-Carry-Out (BCO) is happening.	If the printer is installed in a high altitude location, set the altitude of the location. 1. Launch the Printer Setting Utility, and click Adjust Altitude on the Printer Maintenance tab. 2. Select the value close to the altitude of the location where the printer is installed. 3. Click the Apply New Settings button.

Note:

If the problem continues even though you have taken suggested actions described above, contact the Epson local representative office or an authorised dealer.

Auger Mark

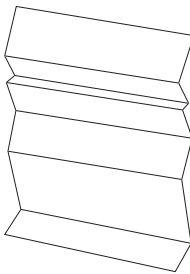


Problem	Action
The printed result has auger mark.	<p>The toner cartridges may be low or need to be replaced. Confirm the amount of toner in each toner cartridge.</p> <ol style="list-style-type: none"> 1. Check the toner level in the Status tab in the Status Monitor window. 2. Replace the toner cartridges as necessary.
	<p>Start Developer Stir Mode.</p> <ol style="list-style-type: none"> 1. Launch the Printer Setting Utility, and click Developer Stir Mode on the Diagnosis tab. 2. Click the Start button.

Note:

If the problem continues even though you have taken suggested actions described above, contact the Epson local representative office or an authorised dealer.

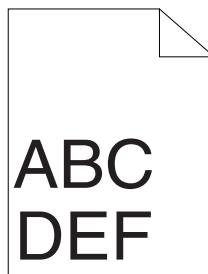
Wrinkled/Stained Paper



Problem	Action
<p>The output is wrinkled.</p> <p>The output is stained.</p>	<p>Verify that the correct print media is being used.</p> <p>If not, use the print media recommended for the printer.</p> <p>If excessive wrinkles occur, use paper or other media from a new package.</p> <p>See also:</p> <ul style="list-style-type: none"> <input type="checkbox"/> "Usable Print Media" on page 93 <input type="checkbox"/> "About Print Media" on page 91 <hr/> <p>If you use the envelope, check whether the crease is within 30 mm of the four edges of the envelope.</p> <p>If the crease is within 30 mm of the four edges of the envelope, this is considered normal. Your printer is not at fault.</p> <p>If not, take the following actions:</p> <ul style="list-style-type: none"> <input type="checkbox"/> If the envelope is #10 envelope, which is 220 mm or longer and has a flap on the long edge, use a different size envelope. <input type="checkbox"/> If the envelope is C5, which is 220 mm or longer and has a flap on the short edge, load it in the MPF with the flap open and facing up. <input type="checkbox"/> If the envelope is Monarch or DL, which is shorter than 220 mm, load it long edge feed in the MPF with the flap open and facing up. <p>If the problem continues, use a different size envelope.</p>

Note:

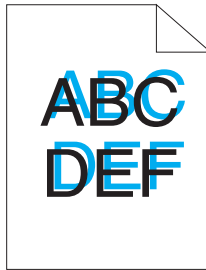
If the problem continues even though you have taken suggested actions described above, contact the Epson local representative office or an authorised dealer.

The Top Margin Is Incorrect

Problem	Action
The top margin is incorrect.	Ensure that the margins are set correctly on the application being used.

Note:

If the problem continues even though you have taken suggested actions described above, contact the Epson local representative office or an authorised dealer.

Color Registration Is out of Alignment

Problem	Action
Color registration is out of alignment.	<p>Execute auto color registration adjustment.</p> <ol style="list-style-type: none"> 1. Launch the Printer Setting Utility, and click Color Registration Adjustment on the Printer Maintenance tab. 2. Deselect the check box next to On. 3. Click the Start button next to Auto Correct.
	<p>Clean the CTD sensor.</p> <ol style="list-style-type: none"> 1. Clean the CTD sensor. 2. Launch the Printer Setting Utility, and click Color Registration Adjustment on the Printer Maintenance tab. 3. Deselect the check box next to On. 4. Click the Start button next to Auto Correct. <p>See also: "Cleaning the Color Toner Density (CTD) Sensor" on page 199</p>
	<p>Print the color registration chart and manually correct the color registration.</p> <ol style="list-style-type: none"> 1. Launch the Printer Setting Utility, and click Color Registration Adjustment on the Printer Maintenance tab. 2. Deselect the check box next to On. 3. Click the Start button next to Print Color Regi Chart. 4. Select the paper size, and then click OK. <p>The color registration chart is printed.</p> <ol style="list-style-type: none"> 5. Check the values with the straight lines on the chart. 6. Select the value for each color on the Printer Setting Utility. 7. Click the Apply New Settings button. 8. Click the Start button next to Print Color Regi Chart to print the color registration chart again. 9. Adjust till all straight lines are at the value of 0. <p>See also: "Adjusting Color Registration" on page 175</p>

Note:

If the problem continues even though you have taken suggested actions described above, contact the Epson local representative office or an authorised dealer.

Protrudent/Bumpy Paper



Problem	Action
Printed surface got protrudent/bumpy.	Clean up the fusing unit. 1. Load one sheet of paper on the MPF, and then print a solid image all over paper. 2. Load the printed sheet with the side to be printed on facing down, and then print a blank sheet of paper.

Note:

If the problem continues even though you have taken suggested actions described above, contact the Epson local representative office or an authorised dealer.





Adjusting Color Registration

This section describes how to adjust the color registration when you first install the printer or after moving it to a new location.

Performing Auto Correct

Auto Correct allows you to correct the color registration automatically.

The Operator Panel

1. Press the  (**Menu**) button.
2. Select Admin Menu, and then press the  button.
3. Select Maintenance Mode, and then press the  button.
4. Select Adjust ColorResi, and then press the  button.

5. Select **Auto Adjust**, and then press the **OK** button.
6. Select **Are you sure?**, and then press the **OK** button.

Auto Correct is performed.

The Printer Setting Utility

The following procedure uses Microsoft® Windows® XP as an example.

1. Click **start — All Programs — EPSON — EPSON Printer Software — EPSON AL-C1750N / EPSON AL-C1750W — Printer Setting Utility**.

Note:

The **Select Printer** window appears in this step, when multiple print drivers are installed on your computer. In this case, click the name of the desired printer listed in **Printer Name**.

The Printer Setting Utility opens.

2. Click the **Printer Maintenance** tab.
3. Select **Color Registration Adjustment** from the list at the left side of the page.

The **Color Registration Adjustment** page is displayed.

4. Deselect the check box next to **On**.
5. Click the **Start** button next to **Auto Correct**.

The color registration is corrected automatically.

Printing the Color Registration Chart

The Operator Panel

1. Press the **≡ (Menu)** button.
2. Select **Admin Menu**, and then press the **OK** button.
3. Select **Maintenance Mode**, and then press the **OK** button.

4. Select **Adjust ColorRegi**, and then press the **OK** button.
5. Select **Color Regi Chart**, and then press the **OK** button.

The color registration chart is printed.

The Printer Setting Utility

The following procedure uses Windows XP as an example.

1. Click **start — All Programs — EPSON — EPSON Printer Software — EPSON AL-C1750N / EPSON AL-C1750W — Printer Setting Utility**.

Note:

The **Select Printer** window appears in this step, when multiple print drivers are installed on your computer. In this case, click the name of the desired printer listed in **Printer Name**.

The Printer Setting Utility opens.

2. Click the **Printer Maintenance** tab.
3. Select **Color Registration Adjustment** from the list at the left side of the page.

The **Color Registration Adjustment** page is displayed.

4. Deselect the check box next to **On**.
5. Click the **Start** button next to **Print Color Regi Chart**.
6. Select the paper size, and then click **OK**.

The color registration chart is printed.

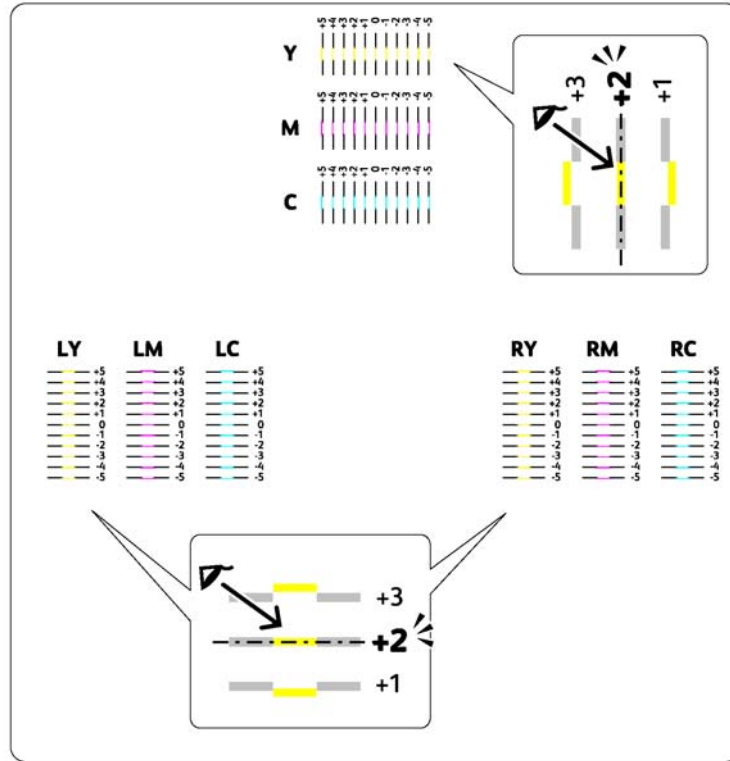
Determining Values

On the color registration chart printed, find the straightest lines where the two black lines and the colored line are most closely aligned for each color (Y, M, and C).

If you find the straightest line, make a note of the value (-5 – +5) indicated by the straightest line for each color.

When the value is 0 for each color, you do not need to adjust the color registration.





When the value is not 0, enter the value according to the procedure in “Entering Values” on page 178.
















Entering Values


The Operator Panel

Using the operator panel, enter the values that you found in the color registration chart to make adjustments.

1. Press the  (**Menu**) button.
2. Select Admin Menu, and then press the  button.
3. Select Maintenance Mode, and then press the  button.
4. Select Adjust ColorResi, and then press the  button.

5. Select `Enter Number`, and then press the  button.
6. Ensure that `Enter (Y,M,C)` appears, and then press the  or  button until you reach the value (for example, `+3`) displayed on the chart.
7. Press the  button once and move the cursor to the next color.
8. Repeat steps 6 and 7 to enter all of the digits, and then press the  button.
9. Ensure that `Enter (LY,LM,LC)` appears.
10. Press the  or  button until you reach the value (for example, `+3`) displayed on the chart.
11. Press the  button once and move the cursor to the next color.
12. Repeat steps 10 and 11 to enter all of the digits, and then press the  button.
13. Ensure that `Enter (RY,RM,RC)` appears.
14. Press the  or  button until you reach the value (for example, `+3`) displayed on the chart.
15. Press the  button once and move the cursor to the next color.
16. Repeat steps 14 and 15 to enter all of the digits, and then press the  button.

The top screen appears.

17. Perform steps 1 to 4 to enter the `Adjust ColorResi` menu.
18. Select `Color Resi Chart`, and then press the  button.

The color registration chart is printed with the new values.

19. Adjust till all straight lines are at the value of 0. Viewing the images before and after will help.

The Printer Setting Utility

Using the Printer Setting Utility, enter the values that you found in the color registration chart to make adjustments.

The following procedure uses Windows XP as an example.

1. Click **start** — **All Programs** — **EPSON** — **EPSON Printer Software** — **EPSON AL-C1750N / EPSON AL-C1750W** — **Printer Setting Utility**.

Note:

The **Select Printer** window appears in this step, when multiple print drivers are installed on your computer. In this case, click the name of the desired printer listed in **Printer Name**.

The Printer Setting Utility opens.

2. Click the **Printer Maintenance** tab.
3. Select **Color Registration Adjustment** from the list at the left side of the page.

The **Color Registration Adjustment** page is displayed.

4. Deselect the check box next to **On**.
5. Select the value you checked in the color registration chart, and then click the **Apply New Settings** button.
6. Click the **Start** button next to **Print Color Regi Chart**.
7. Select the paper size, and then click **OK**.

The color registration chart is printed with the new values.

8. Adjust until all straight lines are at the value of 0. Show image of before and after adjustment will help.

Important:

- After printing the color registration chart, do not turn off the printer until the printer motor has stopped running.
- If 0 is not next to the straightest lines, determine the values and adjust the printer again.

Noise

Note:

In this section, the procedures use the Printer Setting Utility.

See also:

“Printer Setting Utility (Windows Only)” on page 21

Problem	Action
The printer makes a strange noise.	<p>Locate the cause of the problem by removing the toner cartridges.</p> <ol style="list-style-type: none"> 1. Remove the toner cartridges. 2. Launch the Printer Setting Utility, and click Machine Check on the Diagnosis tab. 3. Select Main Motor Operation Check from the drop-down list box, and click the Start button. 4. Click the Play of Sound button to check the motor sound. <p>See also: “Replacing Toner Cartridges” on page 201</p> <p>If the noise generated from the printer matches with the noise from the Play of Sound button, contact the Epson local representative office or an authorised dealer.</p>
	<p>Perform Dispense Motor Check.</p> <ol style="list-style-type: none"> 1. Ensure that the toner cartridges are removed. 2. Launch the Printer Setting Utility, and click Machine Check on the Diagnosis tab. 3. Select Dispense Motor Check(Yellow), Dispense Motor Check(Magenta), Dispense Motor Check(Cyan), or Dispense Motor Check(Black) from the drop-down list box, and click the Start button. 4. Click the Play of Sound button to check the motor sound. 5. Repeat steps 3 and 4 to perform Dispense Motor Check for the rest of the toner cartridges. <p>Note:</p> <ul style="list-style-type: none"> <input type="checkbox"/> You can perform Dispense Motor Check for CMYK in any order you desire. <input type="checkbox"/> Do not check the operation of the dispense motor repeatedly. <p>If the noise generated from the printer matches with the noise from the Play of Sound button, contact the Epson local representative office or an authorised dealer.</p>
	<p>Reinstall the toner cartridges and perform Dispense Motor Check.</p> <p>If the noise generated from the printer matches with the noise from the Play of Sound button, contact the Epson local representative office or an authorised dealer.</p>

Other Problems

Problem	Action
Condensation has occurred inside the printer.	This usually occurs within several hours after you heat the room in winter. This also occurs when the printer is operating in a location where relative humidity reaches 85% or more. Adjust the humidity or relocate the printer to an appropriate environment.


Understanding Printer Messages



The printer LCD panel displays messages describing the current state of the printer and indicates possible printer problems you must resolve. This section describes messages, their meanings, and how to clear the messages.



Important:

When an error message is displayed, the print data remaining on the printer and the information accumulated in the memory of the printer are not secured.


Message	What You Can Do
FusingUnit Error Restart Printer	Turn off the printer, and then on. If this does not solve the problem, contact the Epson local representative office or an authorised dealer.
Error 010-397 Restart Printer	See also: "Contacting Epson Support" on page 216

Message	What You Can Do
Erase Flash Err Restart Printer Error 016-500 Restart Printer	Turn off the printer, and then on. If this does not solve the problem, contact the Epson local representative office or an authorised dealer. See also: "Contacting Epson Support" on page 216
Write Flash Err Restart Printer Error 016-501 Restart Printer	
Verify Flash Err Restart Printer Error 016-502 Restart Printer	
Error 016-610 Restart Printer	Turn off the printer, and then on. If this does not solve the problem, contact the Epson local representative office or an authorised dealer. See also: "Contacting Epson Support" on page 216
Error 016-612 Restart Printer	
Out of Memory Press OK Button Error 016-718 Press OK Button	Press the  button to cancel the current print job. See also: "Canceling a Print Job" on page 116
PDL Error Press OK Button Error 016-720 Press OK Button	
Format Error Press OK Button Error 016-737 Press OK Button	

Message	What You Can Do
Protection Error Press OK Button Error 016-741 Press OK Button	Press the  button to cancel the current print job. See also: "Canceling a Print Job" on page 116
Invalid ID Press OK Button Error 016-742 Press OK Button	
Range Chk Error Press OK Button Error 016-743 Press OK Button	
Check Sum Error Press OK Button Error 016-744 Press OK Button	
Header Error Press OK Button Error 016-745 Press OK Button	
Invalid Job Press OK Button Error 016-799 Press OK Button	Press the  button to cancel the current print job. See also: "Canceling a Print Job" on page 116

Message	What You Can Do
Wireless Timeout Error Press OK Button 016-920	Press the  button. Execute the operation again according to the operation procedure.
WirelessDownload Error Press OK Button 016-921	
Wireless Session Overlap Error Press OK Button 016-922	Press the  button. Set only wireless LAN access point (Registrar) to be operated with WPS-PBC, and execute the operation again according to the operation procedure.
Wireless Error Restart Printer Error 018-318 Restart Printer	Turn off the printer, and then on. If this does not solve the problem, contact the Epson local representative office or an authorised dealer. See also: "Contacting Epson Support" on page 216
MCU Firmware Err Restart Printer Error 024-340 Restart Printer	Turn off the printer, and then on. If this does not solve the problem, contact the Epson local representative office or an authorised dealer. See also: "Contacting Epson Support" on page 216
Download Mode Send FW Data Error 024-360 Send FW Data	Turn off the printer, and then on. If this does not solve the problem, contact the Epson local representative office or an authorised dealer. See also: "Contacting Epson Support" on page 216
MCU Comm. Error Restart Printer Error 024-371 Restart Printer	Turn off the printer, and then on. Or, unplug the Ethernet cable or USB cable, and then plug it again. If this does not solve the problem, contact the Epson local representative office or an authorised dealer. See also: "Contacting Epson Support" on page 216

Message	What You Can Do
Load PAPER (Paper Size) Load PAPER (Paper Type)	Load the correct paper. See also: <input type="checkbox"/> "Loading Print Media in the Multipurpose Feeder (MPF)" on page 96 <input type="checkbox"/> "Loading Print Media in the Priority Sheet Inserter (PSI)" on page 105
(Printer Status) Duplicate IPv6	Change IP address to avoid duplication. Turn off the printer, and turn it on again.
(Printer Status) Duplicate IPv4	
MCU NURAM Error Restart Printer Error 041-340 Restart Printer	Turn off the printer, and then on. If this does not solve the problem, contact the Epson local representative office or an authorised dealer. See also: "Contacting Epson Support" on page 216
Motor Error Restart Printer Error 042-325 Restart Printer	Turn off the printer, and then on. If this does not solve the problem, contact the Epson local representative office or an authorised dealer. See also: "Contacting Epson Support" on page 216
Fan Motor Error Restart Printer Error 042-358 Restart Printer	
Deve Mode Error Restart Printer Error 042-372 Restart Printer	
LPH Error Restart Printer Error 061-370 Restart Printer	Turn off the printer, and then on. If this does not solve the problem, contact the Epson local representative office or an authorised dealer. See also: "Contacting Epson Support" on page 216

Message	What You Can Do
Paper Jam Set paper and Press OK Button 075-100	Check and clear the paper path, load the specified paper, and then press the  button. See also: "Clearing Paper Jams From the Front of the Printer" on page 154
Insert Output into paper tray Press OK Button to continue	Load paper for the second side (odd) pages, and press the  button. See also: "Manual Duplex Printing (Windows Print Driver Only)" on page 111
Jam at Rear Door Open Rear Door and Remove Paper	Check and clear the paper path. See also: "Clearing Paper Jams From the Back of the Printer" on page 155
Jam at Exit Open Rear Door and Remove Paper	Check and clear the paper path. See also: "Clearing Paper Jams From the Center Output Tray" on page 157
Rear Door Open Close Rear Door	Close the rear door.
Jam at Exit Open Rear Door	Check and clear the paper path. See also: "Clearing Paper Jams From the Center Output Tray" on page 157
Jam at Res. Roll Open Rear Door	Check and clear the paper path. See also: "Clearing Paper Jams From the Back of the Printer" on page 155
(Printer Status) Contact Support IfMessageReturns 091-402	Contact the Epson local representative office or an authorised dealer. See also: "Contacting Epson Support" on page 216

Message	What You Can Do
ADC Sensor Error Restart Printer Error 092-651 Restart Printer	Turn off the printer, and then on. If this does not solve the problem, contact the Epson local representative office or an authorised dealer. See also: "Contacting Epson Support" on page 216
Env Sensor Error Restart Printer Error 092-661 Restart Printer	
Check Unit CTD Sensor (Printer Status) CTD Sensor	Clean the CTD sensor. See also: "Cleaning the Color Toner Density (CTD) Sensor" on page 199
(Printer Status) Yellow Low Replace Soon	Replace the specified toner cartridge soon. See also: "Replacing Toner Cartridges" on page 201
(Printer Status) Magenta Low Replace Soon	
(Printer Status) Cyan Low Replace Soon	
(Printer Status) Black Low Replace Soon	

Message	What You Can Do
Low Density Yellow Cartridge	Re-install the specified toner cartridge. And, turn off the printer, and then on. See also: "Replacing Toner Cartridges" on page 201
Low Density Magenta Cartridge	
Low Density Cyan Cartridge	
Low Density Black Cartridge	
Replace Yellow Cartridge	Remove the specified toner cartridge and install a new one. If you do not replace the toner cartridge, print quality problems may occur. See also: "Replacing Toner Cartridges" on page 201
(Printer Status) Replace Yellow Cartridge	
Empty Yellow Cartridge	
Replace Magenta Cartridge	
(Printer Status) Replace Magenta Cartridge	
Empty Magenta Cartridge	
Replace Cyan Cartridge	
(Printer Status) Replace Cyan Cartridge	
(Printer Status) Replace Cyan Cartridge	

Message	What You Can Do
Empty Cyan Cartridge	<p>Remove the specified toner cartridge and install a new one. If you do not replace the toner cartridge, print quality problems may occur.</p> <p>See also: "Replacing Toner Cartridges" on page 201</p>
Replace Black Cartridge	
(Printer Status) Replace Black Cartridge	
Empty Black Cartridge	
Cartridge Error Yellow Cartridge	<p>Check the specified toner cartridge if there is any malfunction. Re-install the specified toner cartridge.</p> <p>See also: "Replacing Toner Cartridges" on page 201</p>
Cartridge Error Magenta Cartridge	
Cartridge Error Cyan Cartridge	
Cartridge Error Black Cartridge	
Invalid Yellow	<p>Re-install the specified toner cartridge with the supported one.</p> <p>See also: "Replacing Toner Cartridges" on page 201</p>
Invalid Magenta	
Invalid Cyan	
Invalid Black	

Message	What You Can Do
Insert Yellow Cartridge	Re-install the specified toner cartridge. See also: "Replacing Toner Cartridges" on page 201
Insert Magenta Cartridge	
Insert Cyan Cartridge	
Insert Black Cartridge	
MAC Address Error Restart Printer Error 116-314 Restart Printer	Turn off the printer, and then on. If this does not solve the problem, contact the Epson local representative office or an authorised dealer. See also: "Contacting Epson Support" on page 216
RAM Error Restart Printer Error 116-315 Restart Printer	
Controller Error Restart Printer Error 116-317 Restart Printer	
Controller Error Restart Printer Error 116-324 Restart Printer	
NV RAM Error Restart Printer Error 116-326 Restart Printer	

Message	What You Can Do
ASIC Error Restart Printer Error 116-343 Restart Printer	Turn off the printer, and then on. If this does not solve the problem, contact the Epson local representative office or an authorised dealer. See also: "Contacting Epson Support" on page 216
Network Error Restart Printer Error 116-350 Restart Printer	
Network Error Restart Printer Error 116-351 Restart Printer	
Network Error Restart Printer Error 116-352 Restart Printer	
Network Error Restart Printer Error 116-355 Restart Printer	
ASIC Error Restart Printer Error 124-333 Restart Printer	
Life Over Error Restart Printer Error 191-310 Restart Printer	

Message	What You Can Do
(Printer Status) Non-GenuineToner	This message indicates the printer is in the Non GenuineToner mode.

Contacting Service

When you call for printer service, be prepared to describe the problem you are experiencing or the error message on the LCD panel.

You need to know the model of your printer and serial number. For the model name, see the label on the rear door of your printer. For the serial number, see the label on the toner access cover of your printer.

Getting Help

Epson provides several automatic diagnostic tools to help you produce and maintain print quality.

LCD Panel Messages

The LCD panel provides you with information and troubleshooting help. When an error or warning condition occurs, the LCD panel displays a message informing you of the problem.

See also:

“Understanding Printer Messages” on page 182

Status Monitor Alerts

The Status Monitor is a tool that is included on the *Software Disc*. It automatically checks the printer status when you send a print job. If the printer is unable to print your job, the Status Monitor automatically displays an alert on your computer screen to let you know that the printer needs attention.

Non Genuine Toner Mode

When toner within a toner cartridge is end of its service life, the `Replace XXXX Cartridge or Empty XXXX Cartridge (XXXX: Yellow, Magenta, Cyan, or Black)` message appears.

When you want to use the printer in the Non Genuine Toner mode, enable the Non Genuine Toner mode and replace the toner cartridge.

Important:

If you use the printer in the Non Genuine Toner mode, the performance of the printer may not be at its optimum. And any problems that may arise from the use of the Non Genuine Toner mode are not covered by our quality guarantee. The continuous use of the Non Genuine Toner mode can also cause the printer to break down, and any repair charges for such break down will be incurred by users.

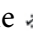





Note:

*To disable the Non Genuine Toner mode, select `Off for Non-Genuine Toner` on the operator panel or deselect the check box next to **On** on the **Non Genuine Toner** page on the Printer Setting Utility.*

The Operator Panel

Note:

Before starting the operation described below, confirm that `Ready` is displayed on the LCD panel.

1. Press the  (**Menu**) button.
2. Select `Admin Menu` and then press the  button.
3. Select `Maintenance Mode` and then press the  button.
4. Select `Non-Genuine Toner` and then press the  button.
5. Select `On` and then press the  button.
6. Press the  button until the top page is displayed.

The printer switches to the Non-Genuine Toner mode.

The Printer Setting Utility

The following procedure uses Windows XP as an example.

1. Click **start** — **All Programs** — **EPSON** — **EPSON Printer Software** — **EPSON AL-C1750N / EPSON AL-C1750W** — **Printer Setting Utility**.

Note:

The **Select Printer** window appears in this step, when multiple print drivers are installed on your computer. In this case, click the name of the desired printer listed in **Printer Name**.

The Printer Setting Utility opens.

2. Click the **Printer Maintenance** tab.
3. Select **Non Genuine Toner** from the list at the left side of the page.

The **Non Genuine Toner** page is displayed.

4. Select the check box next to **On**, and then click the **Apply New Settings** button.

Chapter 8

Maintenance

Cleaning the Printer

This section describes how to clean the printer in order to maintain it in good condition and print clean printouts all the time.

**Warning:**

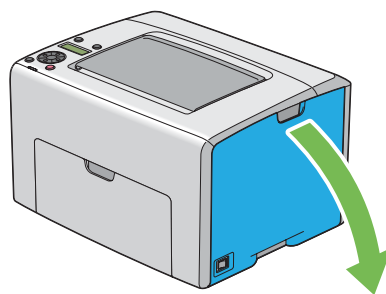
When cleaning this product, use the designated cleaning materials exclusive to it. Other cleaning materials may result in poor performance of the product. Never use aerosol cleaners, or it may catch fire and cause explosion.

**Caution:**

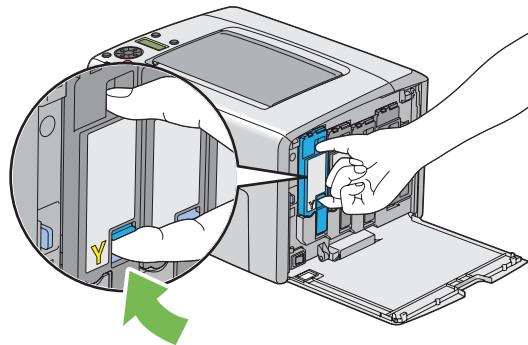
When cleaning this product, always switch off and unplug it. Access to a live machine interior may cause electric shock.

Cleaning Inside the Printer

1. Turn off the printer.
2. Open the toner access cover.



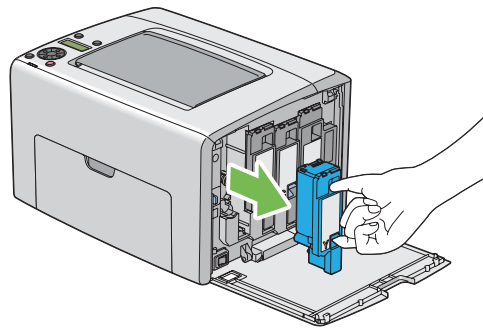
3. Pinch the toner cartridge firmly as shown in the illustration.



4. Pull the toner cartridge out.

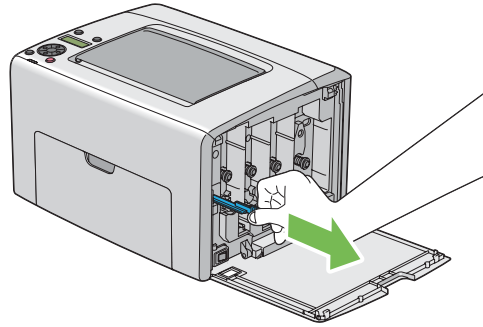
Important:

Always pull the toner cartridge out slowly so you do not spill any toner.

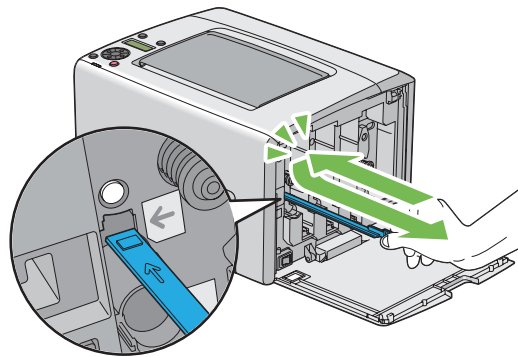


5. Pull the other three toner cartridges out as well.

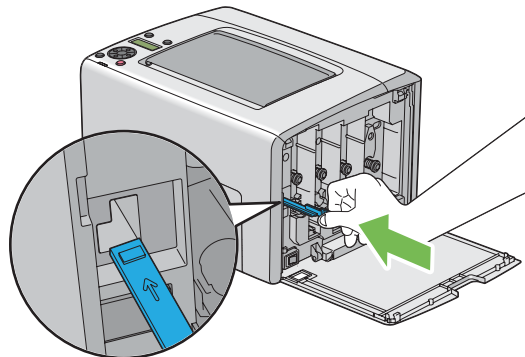
6. Pull the print head cleaning rod out.



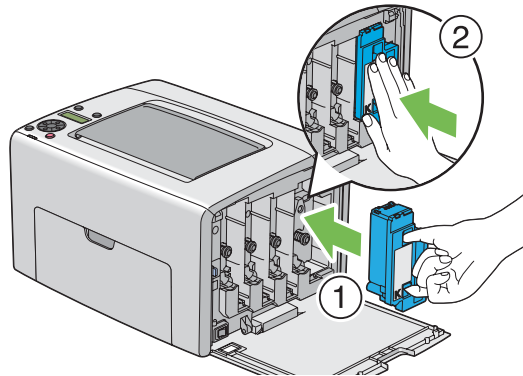
7. Insert the print head cleaning rod fully into the hole beside the arrow on the printer until its tip reaches the interior of the printer as illustrated below, and then pull it out.



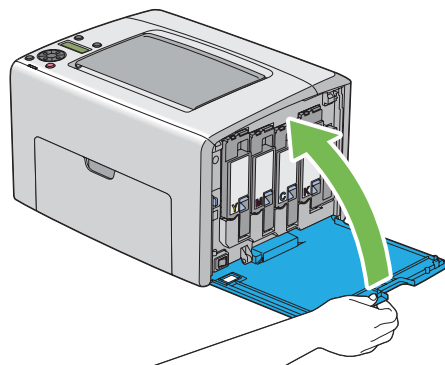
8. Repeat the same procedure for the other three holes.
9. Return the print head cleaning rod to its original location.



10. Replace the black toner cartridge by adjusting it to the associated cartridge holder, and then insert it firmly by pressing near the center of the label until the toner cartridge clicks.



11. Replace the other three toner cartridges as well.
12. Close the toner access cover.

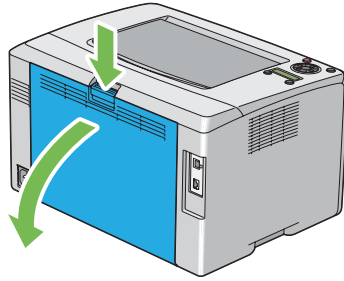


Cleaning the Color Toner Density (CTD) Sensor

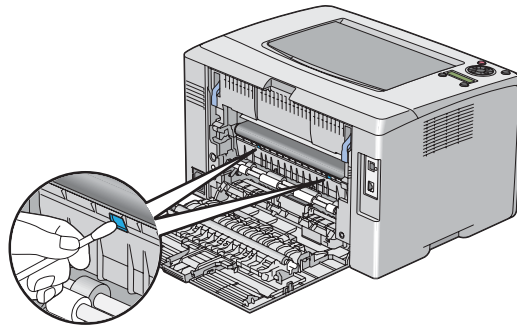
Clean the CTD sensor only when an alert for the CTD sensor is shown on the Status Monitor window or operator panel.

1. Ensure that the printer is turned off.

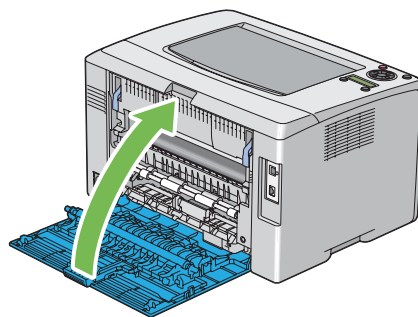
2. Push the rear cover handle and open the rear door.



3. Clean the CTD sensor inside the printer with a clean dry cotton swab.



4. Close the rear door.



Replacing Toner Cartridges

Epson toner cartridges are available only through Epson.

It is recommended that you use Epson toner cartridges for your printer. Epson does not provide warranty coverage for problems caused by using accessories, parts, or components not supplied by Epson.



Warning:

- ❑ *Use a broom or a wet cloth to wipe off spilled toner. Never use a vacuum cleaner for the spills. It may catch fire by electric sparks inside the vacuum cleaner and cause explosion. If you spill a large volume of toner, contact your local Epson representative.*
- ❑ *Never throw a toner cartridge into an open flame. Remaining toner in the cartridge may catch fire and cause burn injuries or explosion. If you have a used toner cartridge no longer needed, contact your local Epson representative for its disposal.*



Caution:

- ❑ *Keep toner cartridges out of the reach of children. If a child accidentally swallows toner, spit it out, rinse mouth with water, drink water and consult a physician immediately.*
- ❑ *When replacing toner cartridges, be careful not to spill the toner. In case of any toner spills, avoid contact with clothes, skin, eyes and mouth as well as inhalation.*
- ❑ *If toner spills onto your skin or clothing, wash it off with soap and water. If you get toner particles in your eyes, wash it out with plenty of water for at least 15 minutes until irritation is gone. Consult a physician if necessary. If you inhale toner particles, move to a fresh air location and rinse your mouth with water. If you swallow toner, spit it out, rinse your mouth with water, drink plenty of water and consult a physician immediately.*

Important:

Do not shake the used toner cartridge to avoid spilling of the toner.

Overview

The printer has toner cartridges of four colors: black (K), yellow (Y), magenta (M), and cyan (C).

When a toner cartridge reaches its usable life-span, the following messages appear on the LCD panel (XXXX: Yellow, Magenta, Cyan, or Black).

Message	Action
XXXX Low Replace Soon *	The specified toner cartridge has become low. Prepare a new one.
Replace XXXX Cartridge	The specified toner cartridge has become end of its service life. Replace the old toner cartridge with a new one.
Empty XXXX Cartridge	The specified toner cartridge has become end of its service life. Replace the old toner cartridge with a new one.

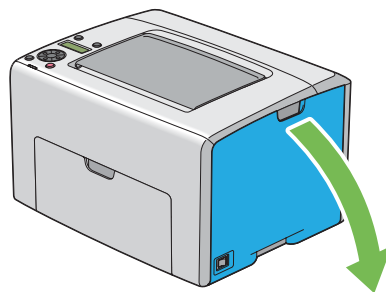
* This warning appears only when Epson toner cartridges are used (Non-GenuineToner is set to Off.)

Important:

- When placing a used toner cartridge on the floor or on a table, place a few sheets of paper under the toner cartridge to catch any toner that may spill.
- Do not reuse old toner cartridges once you remove them from the printer. Doing so can impair print quality.
- Do not shake or pound the used toner cartridges. The remaining toner may spill.
- We recommend you to use up the toner cartridges within one year after removing them from the packaging.

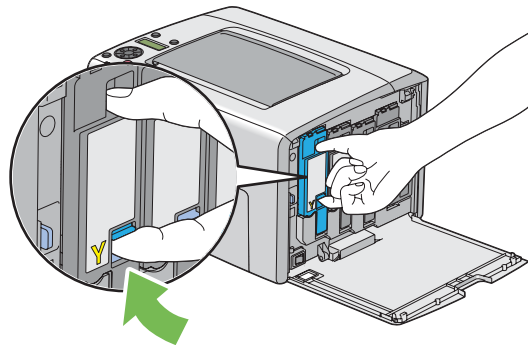
Removing the Toner Cartridges

1. Turn off the printer.
2. Open the toner access cover.



3. Spread a few sheets of paper on the floor or table where the removed toner cartridge is placed.

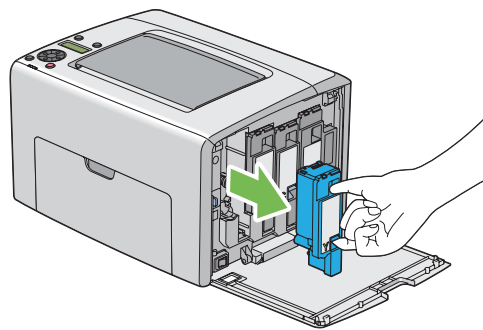
4. Pinch the toner cartridge firmly as shown in the illustration.



5. Pull the toner cartridge out.

Important:

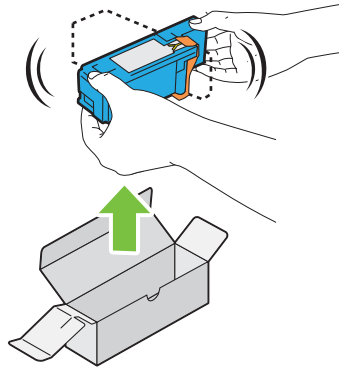
Always pull the toner cartridge out slowly so you do not spill any toner.



6. Place the toner cartridge slowly on the sheets of paper spread in step 3.

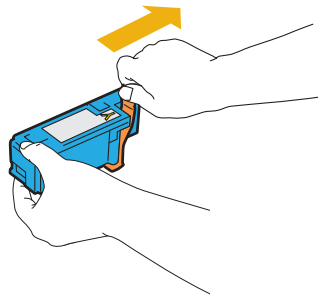
Installing a Toner Cartridge

1. Unpack a new toner cartridge of the desired color and shake it five to six times to distribute the toner evenly.

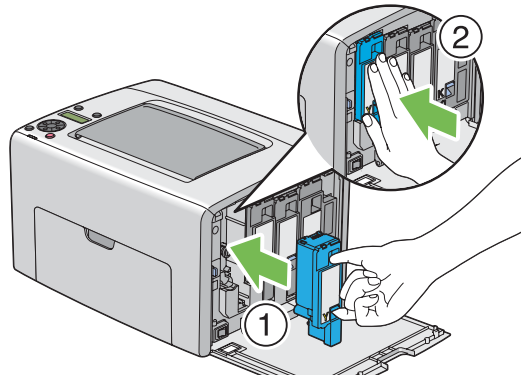


Note:

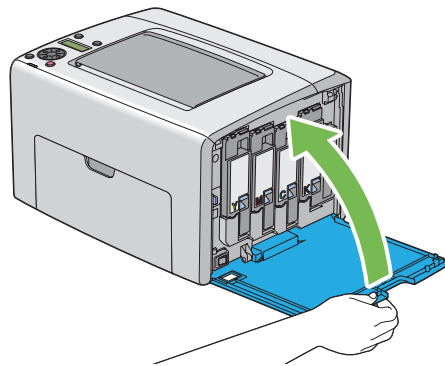
- Ensure that the color of the new toner cartridge matches that on the handle before replacing it.
 - Handle the toner cartridge carefully to avoid spilling of the toner.
2. Remove the tape from the toner cartridge.



- Adjust the toner cartridge to the associated cartridge holder, and then insert it firmly by pressing near the center of the label until the toner cartridge clicks.



- Close the toner access cover.



- Pack the removed toner cartridge in the box in which the installed toner cartridge was packed up.
- Take care not to contact with the spilled toner and remove the sheets of paper spread under the removed toner cartridge.

Ordering Supplies

The toner cartridges need to be ordered occasionally. Each toner cartridge includes installation instructions on the box.

Consumables

Important:

Use of consumables not recommended by Epson can impair machine quality and performance. Use only consumables recommended by Epson.

Product Name	Product Code
TONER CARTRIDGE(BLACK)	0614
TONER CARTRIDGE(YELLOW)	0611
TONER CARTRIDGE(MAGENTA)	0612
TONER CARTRIDGE(CYAN)	0613

When to Order Toner Cartridges

The LCD panel displays a warning when the toner cartridge nears its replacement time. Verify that you have replacements on hand. It is important to order a toner cartridge when the messages first appear to avoid interruptions to your printing. The LCD panel displays an error message when the toner cartridge must be replaced.

Important:

This printer is designed to provide the most stable performance and print quality when used with the recommended toner cartridges. Not using toner cartridges recommended for this machine degrades the performance and printing quality of the printer. You could also incur charges if the machine breaks down. To receive customer support and achieve the optimum performance of the printer, be sure to use recommended toner cartridges.

Storing Consumables

Store consumables in their original packaging until you need to use them. Do not store consumables in:

- Temperatures greater than 40 °C (140 °F).
- An environment with extreme changes in humidity or temperature.
- Direct sunlight.
- Dusty places.

- ❑ A car for a long period of time.
- ❑ An environment where corrosive gases are present.
- ❑ An environment with salty air.

Managing the Printer

Checking or Managing the Printer with EpsonNet Config

When the printer is installed in a TCP/IP environment, you can check printer status and configure settings using a web browser on a network computer. You can also use EpsonNet Config to check the remaining volume of consumables and the paper loaded in this printer.

Note:

When using the printer as a local printer, you cannot use EpsonNet Config. For details about checking the status of a local printer, refer to “Checking Printer Status with Status Monitor (Windows Only)” on page 207.

Starting EpsonNet Config

Use the following procedure to start EpsonNet Config.

1. Launch your web browser.
2. Enter the IP address of the printer in the address bar.

The EpsonNet Config page appears.

Checking Printer Status with Status Monitor (Windows Only)

Status Monitor is a tool that is installed with your Epson print driver. It automatically checks the printer status when you send a print job. Status Monitor can also check the status of the paper tray and remaining amount of toner cartridges.

Starting Status Monitor

Double-click the Status Monitor icon on the taskbar or right-click the icon and select **Select Printer**.

If the Status Monitor icon is not displayed on the taskbar, open Status Monitor from the **start** menu.

The following procedure uses Microsoft® Windows® XP as an example.

1. Click **start — All Programs — EPSON — Status Monitor — Activate Status Monitor**.

The **Select Printer** window appears.

2. Click the name of the desired printer from the list.

The **Status Monitor** window appears.

For details about the functions of Status Monitor, refer to the online Help.

Checking Printer Status Through E-mail

When connected in a network environment where sending and receiving of e-mail is possible, the printer can send an e-mail report to specified e-mail addresses containing the following information:

- The network settings and the printer status
- The error status which has occurred on the printer

Setting the E-mail Environment

Activate EpsonNet Config. On the **Properties** tab, configure the following settings according to your e-mail environment. After configuring the settings on each screen, always click **Apply** and then turn off/on the printer to reboot. For details about each item, refer to the Help on the *Software Disc*.

Item	Item to be configured	Description
General Setup — StatusMessenger	Recipient's E-mail Address	Set the e-mail address to which notices about changes in printer status or errors are sent.
	Notification Items	Set the contents of the notices to send in the e-mail.
Port Status	StatusMessenger	Select the Enabled check box.

Item	Item to be configured	Description
Protocol Settings — E-mail	SMTP Server Settings <input type="checkbox"/> Machine's E-mail Address <input type="checkbox"/> SMTP Server Address <input type="checkbox"/> SMTP Server Port Number Send Authentication <input type="checkbox"/> E-Mail Send Authentication <input type="checkbox"/> Login Name <input type="checkbox"/> Password <input type="checkbox"/> Re-enter Password <input type="checkbox"/> SMTP Server Connection Status POP3 Server Settings <input type="checkbox"/> POP3 Server Address <input type="checkbox"/> POP3 Server Port Number <input type="checkbox"/> Login Name <input type="checkbox"/> Password <input type="checkbox"/> Re-enter Password <input type="checkbox"/> POP3 Server Check Interval <input type="checkbox"/> APOP Settings <input type="checkbox"/> POP3 Server Connection Status	Select appropriate settings for sending and receiving e-mail.
	Permitted E-mail Address	When setting the permission for checking information and changing the settings for an e-mail address, input the e-mail address that is permitted to receive the e-mail. If no address is input here, the printer receives e-mails from all users.
	StatusMessenger Password	Set the password for access to the printer.

Checking the Printer Status with E-mail

This section describes cautions when sending e-mail to the printer to check the printer status.

- You can specify any title for the e-mail when checking the printer status or changing the printer settings.
- Use the commands described in the next section to create the text of the e-mail.

Commands That Can Be Used in E-mail Text

Use each command according to the following rules:

- ❑ Prefix all commands with “#”, and specify the #Password command at the top of the e-mail.
- ❑ Command lines without “#” are ignored.
- ❑ Write one command on each line and separate each command and parameter with a space or a tab.

When the same command is written two or more times in one e-mail, the second and subsequent commands are ignored.

Command	Parameter	Description
#Password	Password	Use this command at the top of the e-mail when a password is set. You can omit this command when the password is not set.
#NetworkInfo		Set this when you want to check information on the network settings list.
#Status		Set this when you want to check the printer status.

Example of Commands

- ❑ When the read only password is “ronly”, and to check the printer status:

#Password ronly

#Status

#NetworkInfo

Conserving Supplies

You can change a setting in your print driver to conserve paper.

Supply	Setting	Function
Print media	Multiple-Up in the Layout tab of the print driver	<p>The printer prints two or more pages on one side of a sheet. The available numbers that each print driver can print one sheet of paper are as follows:</p> <ul style="list-style-type: none"> <input type="checkbox"/> Microsoft Windows Print Driver: 2, 4, 8, 16, or 32 pages <input type="checkbox"/> Mac OS® X Print Driver: 2, 4, 6, 9 or 16 pages <p>Combined with the duplex setting, Multiple-Up allows you to print up to 64 pages on one sheet of paper. (32 images on the front and 32 on the back)</p>

Checking Page Counts

The total number of printed pages can be checked at the operator panel. Three meters are available: Color Impression, Black Impression, and Total Impression (Color Impression + Black Impression).

The Billing Meters counts the number of pages printed properly. Single side color print (including Multiple-Up) is counted as one job, and 2-sided print (including Multiple-Up) is counted as two. During 2-sided printing, if an error occurs after one side is printed properly, it is counted as one.



When printing color data, which has been converted by using ICC profile on an application, with the Color setting, the data is printed by color even if it seems to be black and white data on the monitor. In that case, Color Impression and Total Impression are increased.

When doing 2-sided printing, a blank page may be inserted automatically depending on the settings of the application. In this case, the blank page is counted as one page. However, when doing 2-sided printing for odd number of pages, the blank page inserted to the rear side of the last odd page is not counted.

See Also:

“Billing Meters” on page 133

Use the following procedure to check a meter:

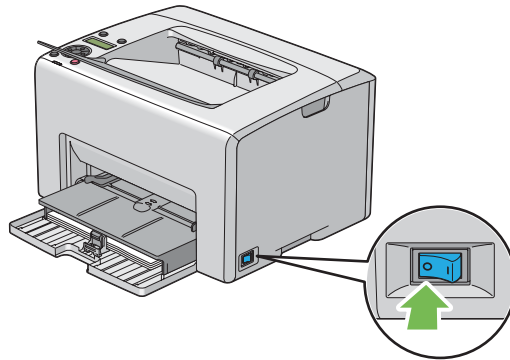
1. Press the  (**Menu**) button.
2. Select Billing Meters, and then press the  button.
3. Check the values for each meter.

Moving the Printer

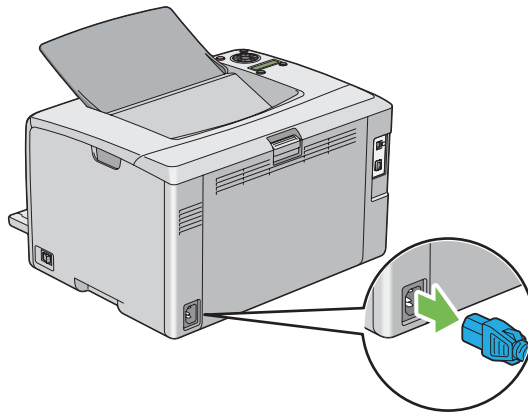
Note:

The front side of this printer is heavier than the rear. Take note of this difference in weight when moving the printer.

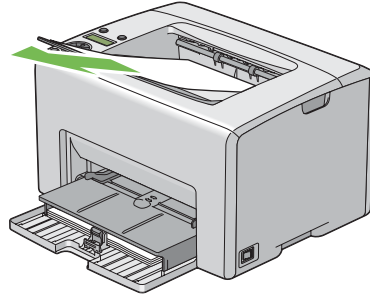
1. Turn off the printer.



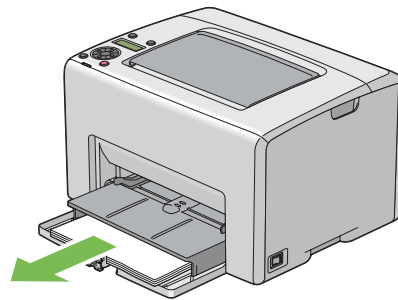
2. Disconnect the power cord and the interface cable.



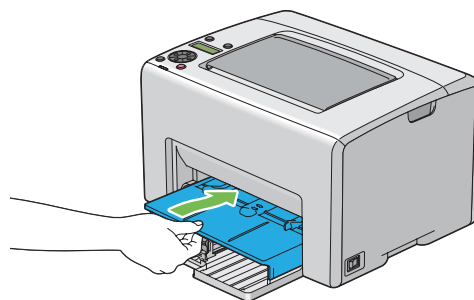
3. Remove any paper in the center output tray if there is. Close the output tray extension if it is opened.



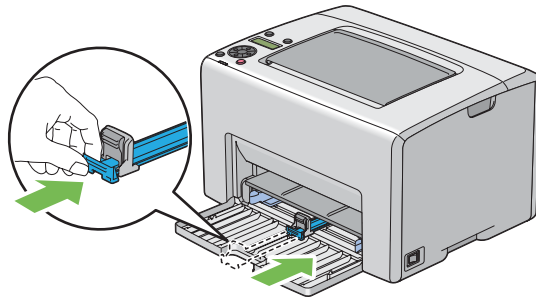
4. Remove any paper in the priority sheet inserter (PSI) or multipurpose feeder (MPF). Keep the paper wrapped and away from humidity and dirt.



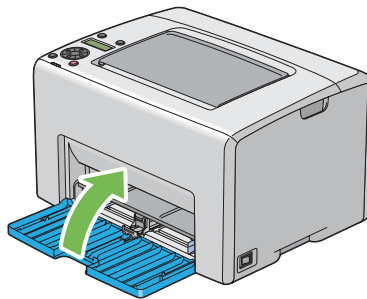
5. Push the PSI in.



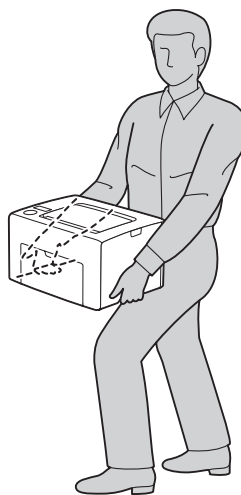
6. Slide the slide bar backward until it stops.



7. Close the front cover.



8. Lift the printer and move it gently.



9. Adjust the color registration before using your printer.

See Also:

“Adjusting Color Registration” on page 175

Appendix A

Where To Get Help

Contacting Epson Support

Before Contacting Epson

If your Epson product is not operating properly and you cannot solve the problem using the troubleshooting information in your product documentation, contact Epson support services for assistance. If Epson support for your area is not listed below, contact the dealer where you purchased your product.

Epson support will be able to help you much more quickly if you give them the following information:

- Product serial number
(The serial number label is usually on the back of the product.)
- Product model
- Product software version
(Click **About**, **Version Info**, or similar button in the product software.)
- Brand and model of your computer
- Your computer operating system name and version
- Names and versions of the software applications you normally use with your product

Help for Users in Europe

Check your **Pan-European Warranty Document** for information on how to contact Epson support.

Help for Users in Taiwan

Contacts for information, support, and services are:

World Wide Web (<http://www.epson.com.tw>)

Information on product specifications, drivers for download, and products enquiry are available.

Epson HelpDesk (Phone: +0800212873)

Our HelpDesk team can help you with the following over the phone:

- Sales enquiries and product information
- Product usage questions or problems
- Enquiries on repair service and warranty

Repair service center:

Telephone number	Fax number	Address
02-23416969	02-23417070	No.20, Beiping E. Rd., Zhongzheng Dist., Taipei City 100, Taiwan
02-27491234	02-27495955	1F., No.16, Sec. 5, Nanjing E. Rd., Songshan Dist., Taipei City 105, Taiwan
02-32340688	02-32345299	No.1, Ln. 359, Sec. 2, Zhongshan Rd., Zhonghe City, Taipei County 235, Taiwan
039-605007	039-600969	No.342-1, Guangrong Rd., Luodong Township, Yilan County 265, Taiwan
038-312966	038-312977	No.87, Guolian 2nd Rd., Hualien City, Hualien County 970, Taiwan
02-82273300	02-82278866	5F.-1, No.700, Zhongzheng Rd., Zhonghe City, Taipei County 235, Taiwan
03-2810606	03-2810707	No.413, Huannan Rd., Pingzhen City, Taoyuan County 324, Taiwan
03-5325077	03-5320092	1F., No.9, Ln. 379, Sec. 1, Jingguo Rd., North Dist., Hsinchu City 300, Taiwan
04-23291388	04-23291338	3F., No.510, Yingcai Rd., West Dist., Taichung City 403, Taiwan
04-23805000	04-23806000	No.530, Sec. 4, Henan Rd., Nantun Dist., Taichung City 408, Taiwan
05-2784222	05-2784555	No.463, Zhongxiao Rd., East Dist., Chiayi City 600, Taiwan

Telephone number	Fax number	Address
06-2221666	06-2112555	No.141, Gongyuan N. Rd., North Dist., Tainan City 704, Taiwan
07-5520918	07-5540926	1F., No.337, Minghua Rd., Gushan Dist., Kaohsiung City 804, Taiwan
07-3222445	07-3218085	No.51, Shandong St., Sanmin Dist., Kaohsiung City 807, Taiwan
08-7344771	08-7344802	1F., No.113, Shengli Rd., Pingtung City, Pingtung County 900, Taiwan

Help for Users in Singapore

Sources of information, support, and services available from Epson Singapore are:

World Wide Web (<http://www.epson.com.sg>)

Information on product specifications, drivers for download, Frequently Asked Questions (FAQ), Sales Enquiries, and Technical Support via e-mail are available.

Epson HelpDesk (Phone: (65) 6586 3111)

Our HelpDesk team can help you with the following over the phone:

- Sales enquiries and product information
- Product usage questions or problems
- Enquiries on repair service and warranty

Help for Users in Thailand

Contacts for information, support, and services are:

World Wide Web (<http://www.epson.co.th>)

Information on product specifications, drivers for download, Frequently Asked Questions (FAQ), and e-mail are available.

Epson Hotline (Phone: (66)2685-9899)

Our Hotline team can help you with the following over the phone:

- Sales enquiries and product information
- Product usage questions or problems
- Enquiries on repair service and warranty

Help for Users in Vietnam

Contacts for information, support, and services are:

Epson Hotline (Phone): 84-8-823-9239

Service Center: 80 Truong Dinh Street, District 1, Hochiminh City
Vietnam

Help for Users in Indonesia

Contacts for information, support, and services are:

World Wide Web (<http://www.epson.co.id>)

- Information on product specifications, drivers for download
- Frequently Asked Questions (FAQ), Sales Enquiries, questions through e-mail

Epson Hotline

- Sales enquiries and product information
- Technical support

Phone (62) 21-572 4350

Fax (62) 21-572 4357

Epson Service Center

Jakarta	Mangga Dua Mall 3rd floor No 3A/B Jl. Arteri Mangga Dua, Jakarta Phone/Fax: (62) 21-62301104
Bandung	Lippo Center 8th floor Jl. Gatot Subroto No.2 Bandung Phone/Fax: (62) 22-7303766
Surabaya	Hitech Mall It IIB No. 12 Jl. Kusuma Bangsa 116 – 118 Surabaya Phone: (62) 31-5355035 Fax: (62)31-5477837
Yogyakarta	Hotel Natour Garuda Jl. Malioboro No. 60 Yogyakarta Phone: (62) 274-565478
Medan	Wisma HSBC 4th floor Jl. Diponegoro No. 11 Medan Phone/Fax: (62) 61-4516173
Makassar	MTC Karebosi Lt. III Kav. P7-8 Jl. Ahmad Yani No.49 Makassar Phone: (62)411-350147/411-350148

Help for Users in Hong Kong

To obtain technical support as well as other after-sales services, users are welcome to contact Epson Hong Kong Limited.

Internet Home Page

Epson Hong Kong has established a local home page in both Chinese and English on the Internet to provide users with the following information:

- Product information
- Answers to Frequently Asked Questions (FAQs)
- Latest versions of Epson product drivers

Users can access our World Wide Web home page at:

<http://www.epson.com.hk>

Technical Support Hotline

You can also contact our technical staff at the following telephone and fax numbers:

Phone: (852) 2827-8911

Fax: (852) 2827-4383

Help for Users in Malaysia

Contacts for information, support, and services are:

World Wide Web (<http://www.epson.com.my>)

- Information on product specifications, drivers for download
- Frequently Asked Questions (FAQ), Sales Enquiries, questions through e-mail

Epson Trading (M) Sdn. Bhd.

Head Office.

Phone: 603-56288288

Fax: 603-56288388/399

Epson Helpdesk

- Sales enquiries and product information (Infoline)

Phone: 603-56288222

- Enquiries on repair services & warranty, product usage and technical support (Techline)

Phone: 603-56288333

Help for Users in India

Contacts for information, support, and services are:

World Wide Web (<http://www.epson.co.in>)

Information on product specifications, drivers for download, and products enquiry are available.

Epson India Head Office - Bangalore

Phone: 080-30515000

Fax: 30515005

Epson India Regional Offices:

Location	Telephone number	Fax number
Mumbai	022-28261515 /16/17	022-28257287
Delhi	011-30615000	011-30615005
Chennai	044-30277500	044-30277575
Kolkata	033-22831589 / 90	033-22831591
Hyderabad	040-66331738/ 39	040-66328633

Location	Telephone number	Fax number
Cochin	0484-2357950	0484-2357950
Coimbatore	0422-2380002	NA
Pune	020-30286000 /30286001/30286002	020-30286000
Ahmedabad	079-26407176 / 77	079-26407347

Helpline

For Service, Product info or to order a cartridge - 18004250011 (9AM - 9PM) - This is a Toll-free number.

For Service (CDMA & Mobile Users) - 3900 1600 (9AM - 6PM) Prefix local STD code

Help for Users in the Philippines

To obtain technical support as well as other after sales services, users are welcome to contact the Epson Philippines Corporation at the telephone and fax numbers and e-mail address below:

Trunk Line:	(63-2) 706 2609
Fax:	(63-2) 706 2665
Helpdesk Direct Line:	(63-2) 706 2625
E-mail:	epchelpdesk@epc.epson.com.ph

World Wide Web (<http://www.epson.com.ph>)

Information on product specifications, drivers for download, Frequently Asked Questions (FAQ), and E-mail Enquiries are available.

Toll-Free No. 1800-1069-EPSON(37766)

Our Hotline team can help you with the following over the phone:

- Sales enquiries and product information
- Product usage questions or problems

- ❑ Enquiries on repair service and warranty

Index

- A**
- Adj. Fusing Unit.....143
 - Adjust Altitude.....147
 - Adjust BTR.....142
 - Adjust ColorRegi.....144
 - Adjust PaperType.....142
 - Adjusting color registration.....175
 - Admin Menu.....133
 - Auto Log Print.....141
 - Auto Regi Adj.....144
 - Avoiding jam.....152
- B**
- Back Button.....17
 - Basic Printer Problem.....161
 - Billing Meters.....133
 - Total Printed Pages.....211
 - Bond.....143, 144
 - BTR Refresh.....145
- C**
- Cancel Job Button.....17
 - Canceling a job.....116
 - Canceling print job
 - From computer.....116
 - Center Output Tray.....15, 154
 - Change Password.....148
 - Chart.....146
 - Checking printed pages
 - How to check the meter.....211
 - Clear Developer.....145
 - Clearing jam.....152
 - Clearing paper jam
 - From back of the printer.....155
 - From center output tray.....157
 - From front of the printer.....154
 - Color Registration Chart.....176
 - Configuring wireless settings.....39
 - Connecting printer.....24
 - Connection specification.....24
 - Connection type.....24
 - Conserving supplies.....210
 - Consumables.....206
 - Contacting Epson.....216
 - Contacting Service.....193
 - CTD Sensor.....199
- D**
- Determining values.....177
 - Display Problem.....161
- E**
- E-mail
 - Commands for.....210
 - Email Alerts.....138
 - Energy Saver Button/Indicator.....16
 - Entering values.....178
 - Envelope.....143, 144
 - Epson Net Config
 - Managing printer.....207
 - Starting.....207
 - EpsonNet Config.....138
 - Error and Warning Messages.....193
 - Error Indicator.....17
 - Ethernet Port.....16, 25
- F**
- F/W Version.....142
 - Fault Time-Out.....140
 - Front Cover.....15, 154
- G**
- Getting help.....193
 - Status Monitor Alerts.....193

H	
Help	
Epson.....	216
Host Access List.....	138
How to check the meter.....	211
I	
Init Wireless.....	136
Initialize NVM.....	146
Installing.....	34
Installing a toner cartridge.....	204
J	
Jam.....	160
Job History.....	132
L	
Labels.....	143, 144
Launcher.....	23
LCD.....	16
LCD Panel.....	17
Messages.....	193
Length Guide.....	15
Levers.....	16, 154
Light Card.....	143, 144
Liquid Crystal Display.....	16
Loading envelope.....	102, 108
Loading letterhead.....	105, 111
Loading print media.....	95
MPF.....	96
PSI.....	105
Loading print media in multipurpose feeder (MPF).....	96
Loading print media in priority sheet inserter (PSI).....	105
Login Error.....	148
Low Toner Msg.....	141
LPR.....	137
LW Gloss Card.....	143, 144
M	
Main components.....	15
Managing	
printer.....	207
Manual Duplex Printing.....	111
Menu Button.....	17
Messages	
Status Monitor.....	193
Meters	
Total Page Counts.....	211
mm/inch.....	141
Mottle.....	168
Moving	
Printer.....	212
Multiple-Up.....	211
Multipurpose feeder (MPF).....	15, 154
N	
Network basics.....	24
Network connection setup.....	38
Network Setup.....	133
Non-Genuine Toner.....	146
O	
OK Button.....	17
Operator Panel.....	15
Ordering supplies.....	206
Output Tray Extension.....	15, 115
P	
Panel Language.....	149
Panel Lock.....	147, 149
Panel Lock Set.....	147
Panel Settings.....	132
Panel Settings Page.....	18
Paper Chute.....	16
Paper Feed Roller.....	16
Paper Jam Location.....	153
Paper Width Guides.....	15, 100
Parts name.....	15
Peer-to-peer.....	79
Plain.....	143, 144
Point and Print.....	76
Port9100.....	137

Power Connector.....	16
Power Switch.....	15
PowerSaver Time.....	139, 151
Print driver (Mac OS X)	
Installing print driver.....	83
Print driver installing.....	34
Print driver pre-install status.....	34
Print Head Cleaning Rod.....	15
Print Media.....	211
Dimensions.....	96
Print Quality Problems.....	164
Printer	
Managing.....	207
Moving.....	212
Printer Settings.....	132
Printer software.....	20
Printer status	
Checking via e-mail.....	209
StatusMessenger.....	208
Printing.....	115
Custom Paper.....	122
Custom Paper: With Mac OS X driver.....	124
Custom Paper: With Windows print driver.....	123
Printing Basics.....	91
Printing Problem.....	162
Printing with WSD.....	129
Priority Sheet Inserter (PSI).....	15, 154
Problems	
contacting Epson.....	216
solving.....	216
Product Features.....	9
R	
Ready Indicator.....	17
Rear Cover Handle.....	16
Rear Door.....	16, 154
Recycled.....	143, 144
Removing the toner cartridges.....	202
Report Page.....	125
Reset Defaults.....	138
Resetting to defaults.....	151
S	
Secure Settings.....	147
Sending print job.....	115
Service.....	216
Setting.....	211
Slide Bar.....	15
SNMP.....	137
Specification.....	11
Status Monitor	
Alerts.....	193
StatusMessenger	
Checking printer status.....	208
Commands.....	210
Configuring.....	208
Storing consumables.....	206
T	
Time-Out.....	140
Toner Access Cover.....	15
Toner Refresh.....	145
Transfer Belt.....	16, 154
Transfer Roller.....	16
U	
USB Port.....	16, 25
USB Setup	
Port Status.....	139
W	
Warning and Error Messages.....	193
When to order toner cartridges.....	206
Wired network	
Ethernet.....	133
Protocol.....	137
Wireless LAN.....	138
Wireless Setup.....	134
Wireless Status.....	134