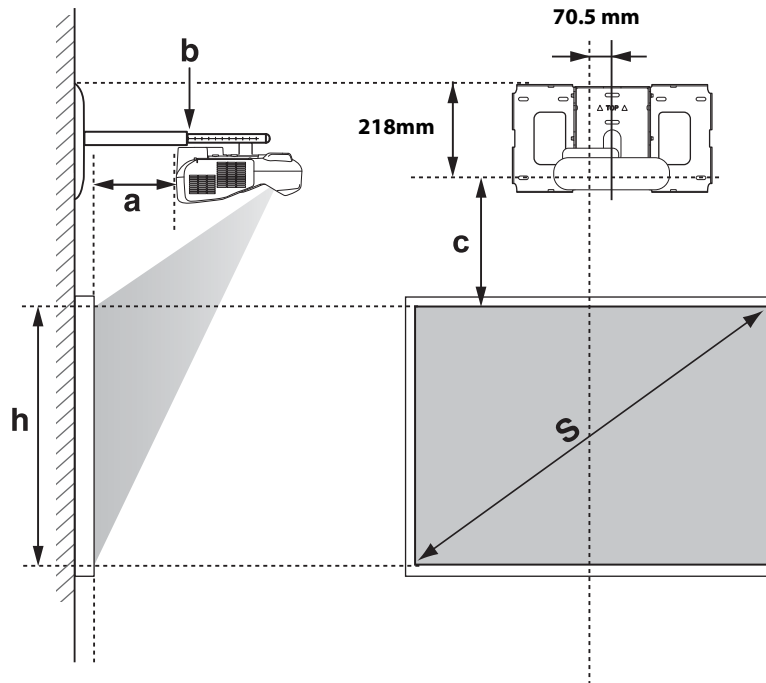




Installation Guide - Updated Projection Distance Table



When the screen size (S) is less than 70 inches

EB-485Wi/485WT/485W/475Wi/475W [cm]

Aspect Ratio	S Screen Size	a Projection Distance Minimum (Wide) to Maximum (Tele)	b Numbers on the Slider Measure	c Distance Between Projection Surface and Wall Plate	h Height of Projection Surface
4:3	53"	6.2 - 19.3	12.4 - 25.5	17.4	80.8
	57"	9.1 - 23.1	15.3 - 29.3	18.6	86.9
	60"	11.2 - 25.9	17.4 - 32.1	19.5	91.4
	63"	13.3 - 28.8	19.5 - 35.0	20.4	96.0
	64"	14.0 - 29.7	20.2 - 35.9	20.7	97.5
	66"	15.4 - 30.7	21.6 - 36.9	21.3	100.6
	69"	17.5 - 30.7	23.7 - 36.9	22.2	105.2
16:10	60"	6.2 - 19.3	12.4 - 25.5	17.4	80.8
	69"	11.8 - 26.8	18.0 - 33.0	19.8	92.9
16:9	59"	6.6 - 19.8	12.8 - 26.0	21.7	73.5
	60"	7.3 - 20.7	13.5 - 26.9	22.0	74.7
	69"	13.0 - 28.4	19.2 - 34.6	25.1	85.9

EB-480i/480T/480/470 [cm]

Aspect Ratio	S Screen Size	a Projection Distance Minimum (Wide) to Maximum (Tele)	b Numbers on the Slider Measure	c Distance Between Projection Surface and Wall Plate	h Height of Projection Surface
4:3	56"	6.3 - 19.3	12.5 - 25.5	15.2	85.3
	57"	6.9 - 20.2	13.1 - 26.4	15.4	86.9
	60"	8.9 - 22.9	15.1 - 29.1	16.1	91.4
	63"	10.9 - 25.6	17.1 - 31.8	16.9	96.0
	64"	11.6 - 26.5	17.8 - 32.7	17.1	97.5
	66"	12.9 - 28.3	19.1 - 34.5	17.6	100.6
	69"	14.9 - 30.7	21.1 - 36.9	18.3	105.2
16:10	53"	6.4 - 19.5	12.6 - 25.7	22.3	71.3
	60"	11.3 - 26.1	17.5 - 32.3	25.1	80.8
	69"	17.7 - 30.7	23.9 - 36.9	28.7	92.9
16:9	52"	6.7 - 19.9	12.9 - 26.1	26.1	64.8
	60"	12.5 - 27.7	18.7 - 33.9	29.9	74.7
	69"	19.0 - 30.7	25.2 - 36.9	34.2	85.9

When the screen size (S) is 70 inches or more

EB-485Wi/485WT/485W/475Wi/475W [cm]

Aspect Ratio	S Screen Size	a Projection Distance Minimum (Wide) to Maximum (Tele)	b Numbers on the Slider Measure	c Distance Between Projection Surface and Wall Plate	h Height of Projection Surface
4:3	70"	18.2 - 31.1		22.5	106.7
	77"	23.1 - 31.1		24.7	117.3
	77.5"	23.5 - 31.1		24.8	118.1
	78"	23.8 - 31.1		25.0	118.9
	79"	24.5 - 31.1		25.3	120.4
	80"	25.2 - 31.1		25.6	121.9
	88"	30.8 - 31.1		28.0	134.1
16:10	70"	12.4 - 27.6		20.1	94.2
	75"	15.5 - 31.1		21.4	101.0
	77.8"	17.3 - 31.1		22.2	104.7
	80"	18.7 - 31.1		22.7	107.7
	85"	21.8 - 31.1		24.1	114.4
	87"	23.0 - 31.1		24.6	117.1
	88"	23.6 - 31.1		24.9	118.5
	90"	24.9 - 31.1		25.4	121.2
100"	31.1 *		28.1	134.6	
16:9	70"	13.7 - 29.3		25.4	87.2
	71"	14.3 - 30.1		25.8	88.4
	77"	18.1 - 31.1		27.8	95.9
	80"	20.0 - 31.1		28.9	99.6
	82"	21.3 - 31.1		29.6	102.1
	85"	23.2 - 31.1		30.6	105.8
	90"	26.4 - 31.1		32.3	112.1
	94"	29.0 - 31.1		33.7	117.1
	95"	29.6 - 31.1		34.0	118.3
	97"	30.9 - 31.1		34.7	120.8

* Wide

EB-480i/480T/480/470 [cm]

Aspect Ratio	S Screen Size	a Projection Distance Minimum (Wide) to Maximum (Tele)	b Numbers on the Slider Measure	c Distance Between Projection Surface and Wall Plate	h Height of Projection Surface
4:3	70"	15.6 - 31.1		18.6	106.7
	77"	20.2 - 31.1		20.3	117.3
	77.5"	20.6 - 31.1		20.4	118.1
	78"	20.9 - 31.1		20.6	118.9
	79"	21.6 - 31.1		20.8	120.4
	80"	22.2 - 31.1		21.1	121.9
	89"	28.2 - 31.1		23.3	135.6
	90"	28.9 - 31.1		23.5	137.2
	93"	30.9 - 31.1		24.2	141.7
16:10	70"	18.4 - 31.1		29.1	94.2
	75"	21.9 - 31.1		31.0	101.0
	77.8"	23.9 - 31.1		32.1	104.7
	80"	25.4 - 31.1		33.0	107.7
	85"	28.9 - 31.1		35.0	114.4
	87"	30.4 - 31.1		35.8	117.1
	88"	31.1 *		36.2	118.5
16:9	70"	19.7 - 31.1		34.7	87.2
	71"	20.5 - 31.1		35.1	88.4
	77"	24.8 - 31.1		38.0	95.9
	80"	27.0 - 31.1		39.4	99.6
	82"	28.4 - 31.1		40.4	102.1
	85"	30.6 - 31.1		41.8	105.8

* Wide