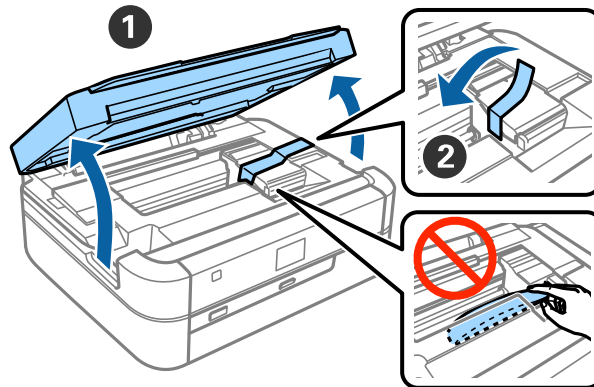


Setup Guide

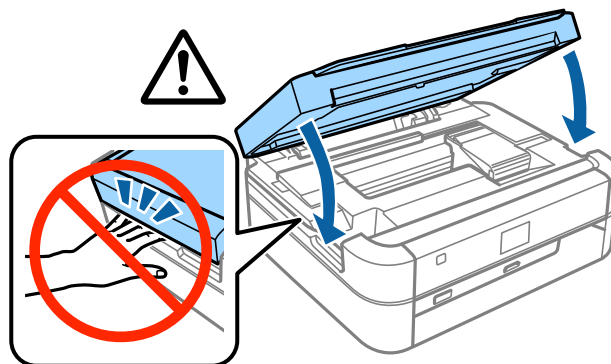
Unpacking

Unpacking

1 Remove all protective materials.



2 Close the scanner unit.

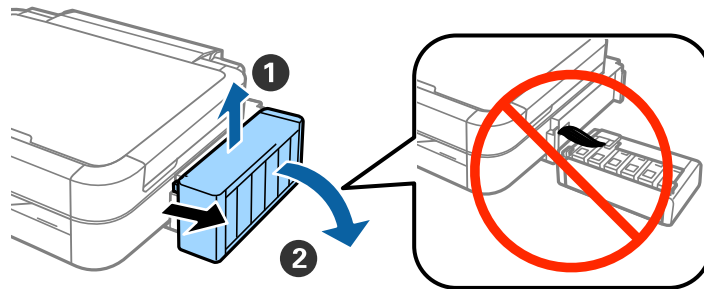


⚠ Caution:

Be careful not to trap your finger or hand when opening or closing the scanner unit; otherwise, you may get injured.

Filling Ink

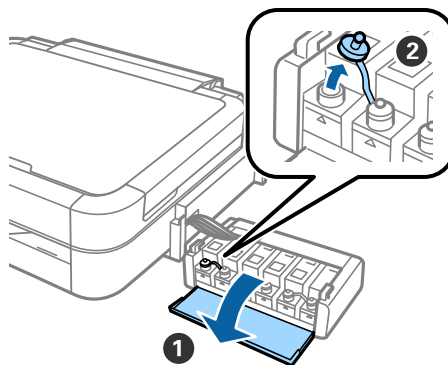
- 1 Unhook the ink tank unit.



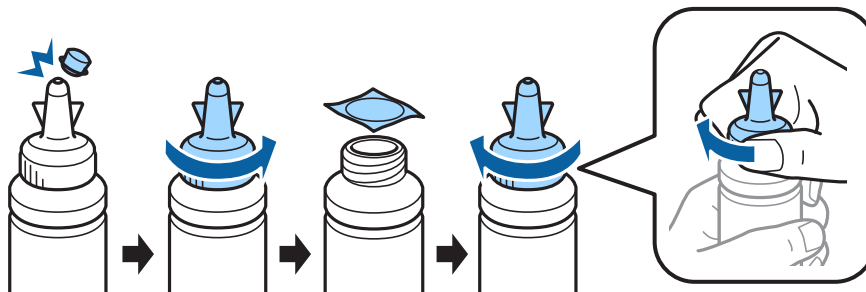
Note:

Do not pull the tubes.

- 2 Open the ink tank unit cover, and then remove the ink tank cap.



- 3 Snap off the top of the cap, remove the cap of the ink bottle, remove the seal from the bottle, and then close the cap tightly.

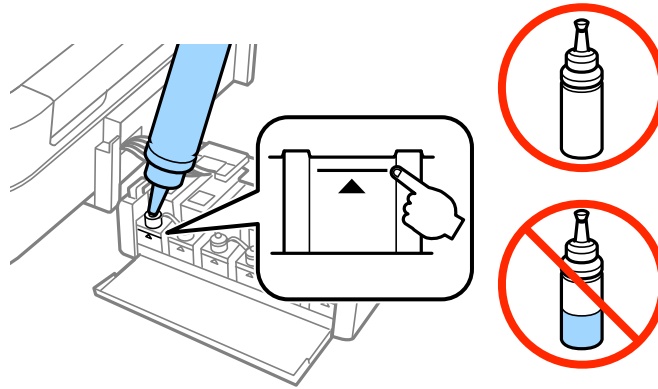


⚠ Caution:

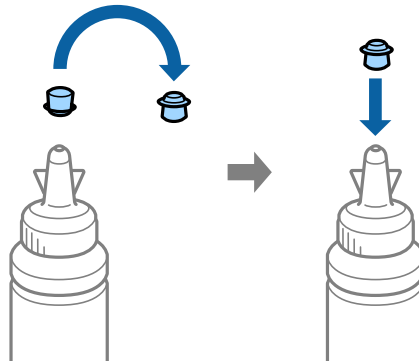
- ❑ Use the ink bottles that came with your printer.
- ❑ Epson cannot guarantee the quality or reliability of non-genuine ink. The use of non-genuine ink may cause damage that is not covered by Epson's warranties.

Filling Ink

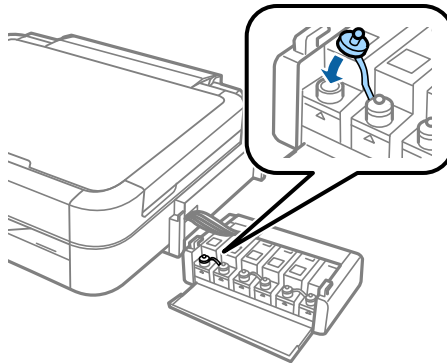
4 Match the ink color with the tank, and fill with all of ink.



5 Install the top of the cap to the cap of the ink bottle.

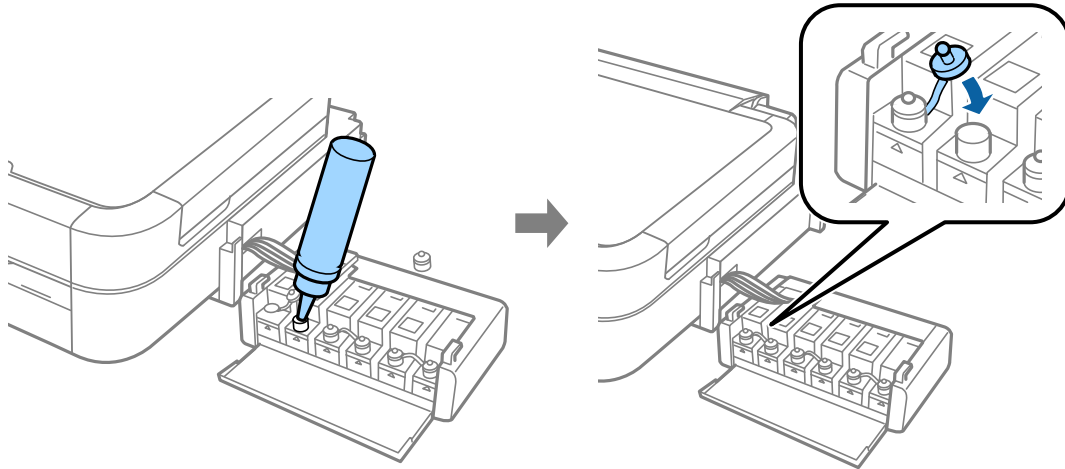


6 Close the ink tank cap securely.

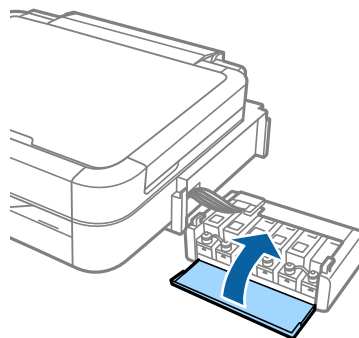


Filling Ink

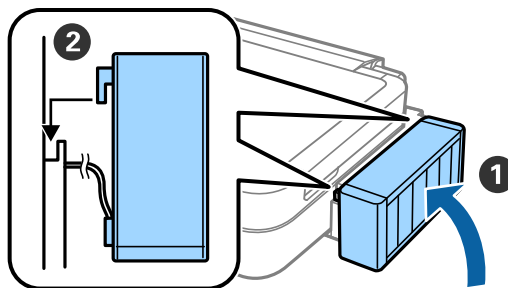
7 Repeat the same steps to fill the rest of the ink tanks.



8 Close the ink tank unit cover.

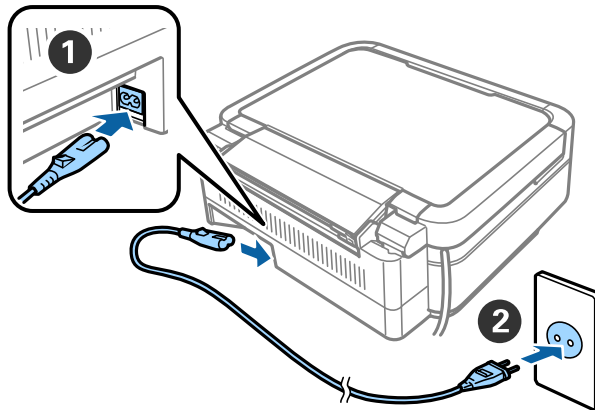


9 Hook the ink tank unit onto the printer.



Turning on the Printer

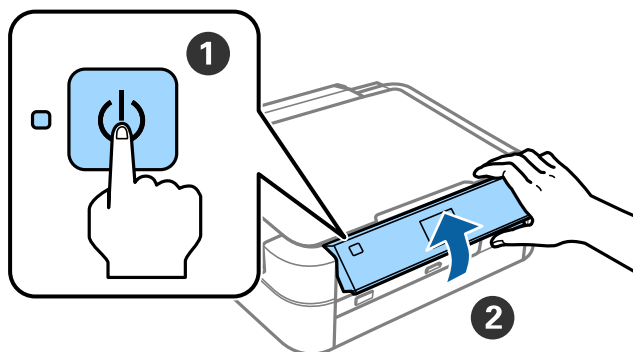
- 1 Connect the power cable and plug it in.



Note:

Keep the printer away from direct sunlight or cooling and heating equipment.

- 2 Turn on the printer and raise the control panel.



Note:

If an error message appears, turn off the printer and check that no protective material has been left inside the printer.

Selecting a Language

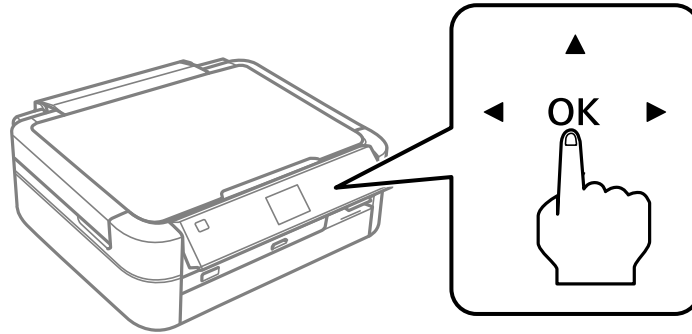
1 Select your language using the ▼ or ▲ button and press the OK button.




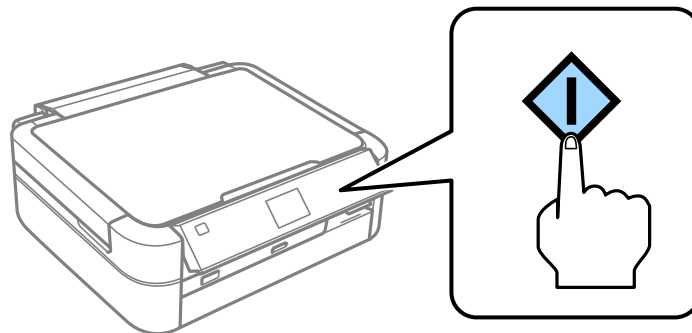
Charging Ink

Charging Ink

- 1 When the message of seeing the setup manual is displayed, press the OK button for 3 seconds.



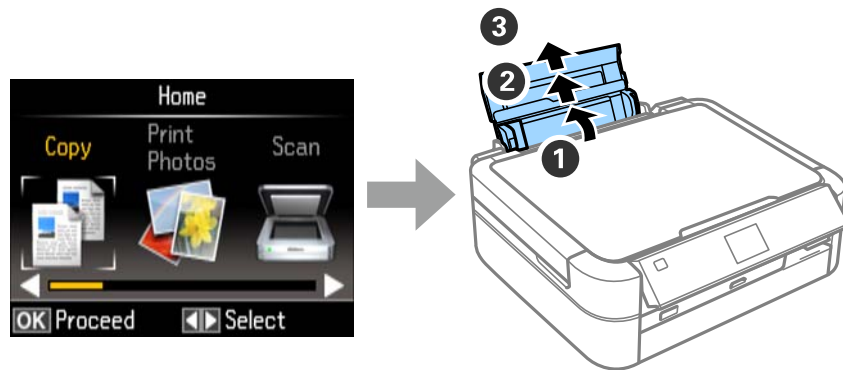
- 2 Press the  button to start charging ink.
Charging ink takes about 20 minutes.



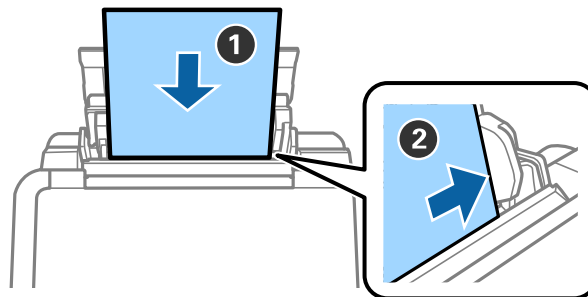
Loading Paper

Loading Paper

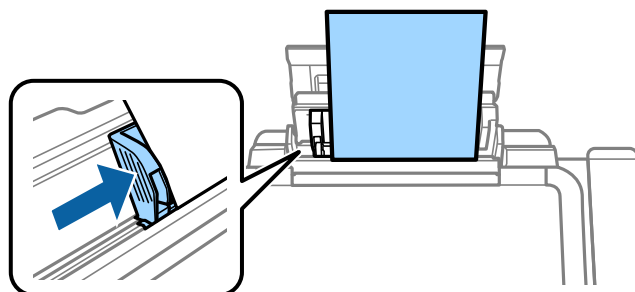
- 1 Make sure the home screen is displayed on the printer's screen. Open the rear paper feed cover and extend the paper support.



- 2 Load A4 size plain paper vertically along the right side of the sheet feeder with the printable side facing up.

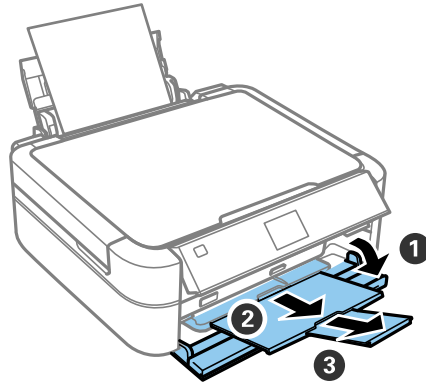


- 3 Slide the side edge guides to the edges of the paper.



Loading Paper

- 4 Pull out the output tray.



Information

Do you know that you can influence the impact you have on the environment when printing?

1. The type of paper you use has an influence on the environmental impact of your printer. Choosing paper certified under environmental stewardship initiatives, such as EN 12281:2002, or carrying recognised ecolabels, can help reduce your impact on the environment through the initiatives the manufacturers implement. For specific applications, lighter paper, such as 64 g/m² paper, can be used.
2. You can reduce your power consumption by purchasing Energy Star compliant products.
3. You can reduce your paper consumption and the impact on the environment by automatically printing on both sides of the page.
4. As standard, your printer has a power management function that powers down your product when not in use, which is a great energy saving feature.