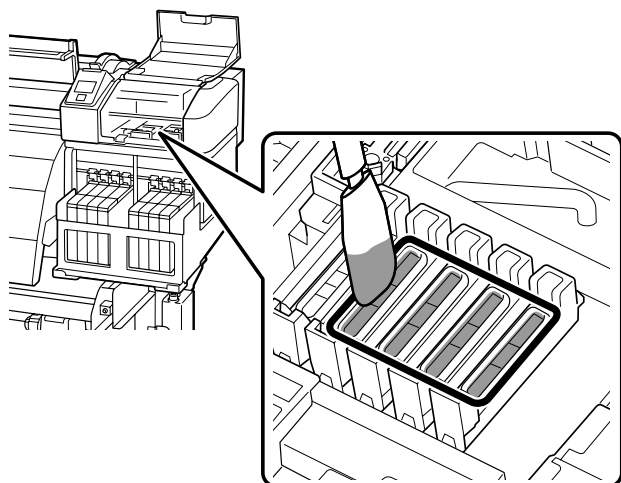


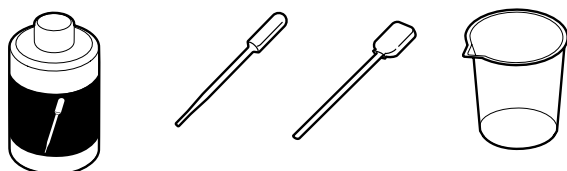
EN **Cleaning Caps and Around the Print Head**

Clean caps and around the print head ONCE A WEEK. Failure to perform appropriate cleaning will cause a clog of print head nozzle that leads to a decline of print quality.

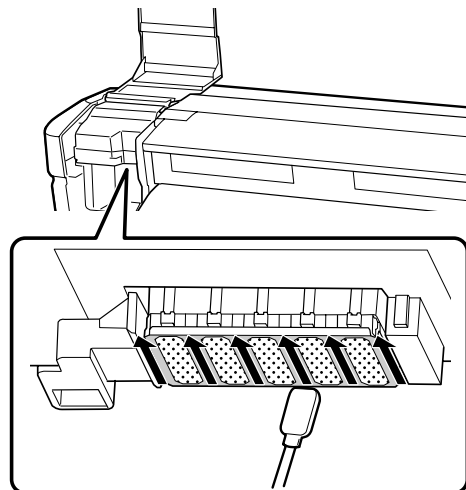
Cleaning Caps



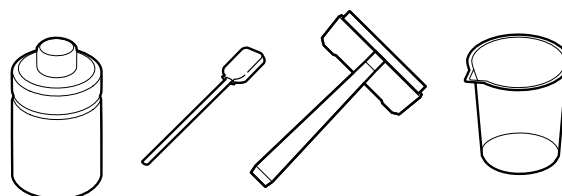
Use Cap Cleaning Kit (C13S210053/C13S210054) to perform cleaning.
The cleaning liquid (in the black-labeled bottle) should NOT be used for cleaning around the print head.



Cleaning Around the Print Head



Use Maintenance Kit (C13S210038/C13S210039) to perform cleaning.
The cleaning liquid (in the white-labeled bottle) should NOT be used for cleaning caps.



For procedures of cleaning, refer to the latest User's Guide that can be downloaded from Epson web site. You can also see the video from smart phone or tablet using the QR code below.

