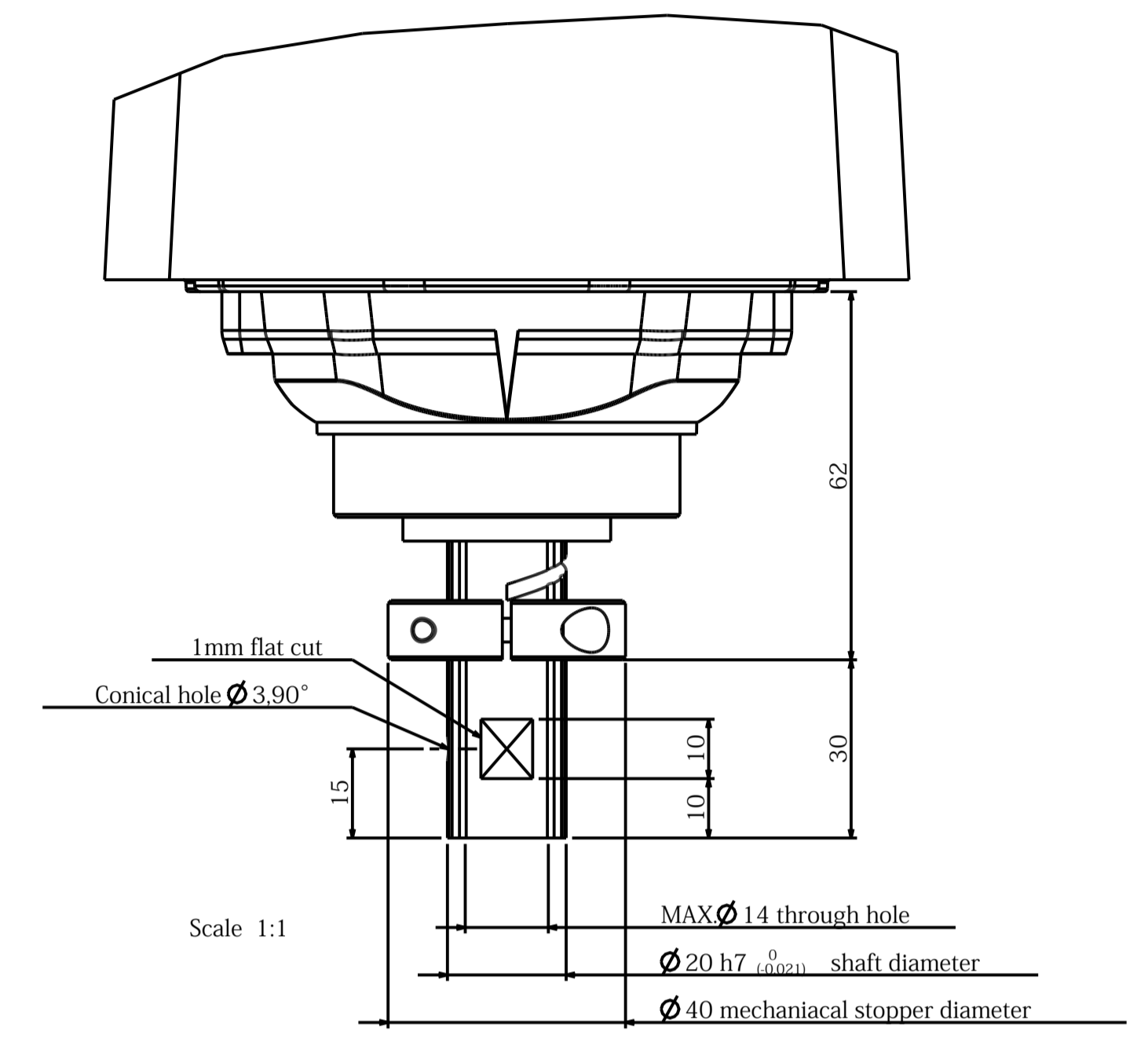
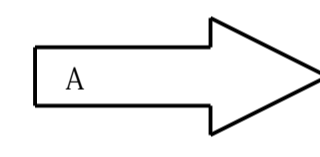
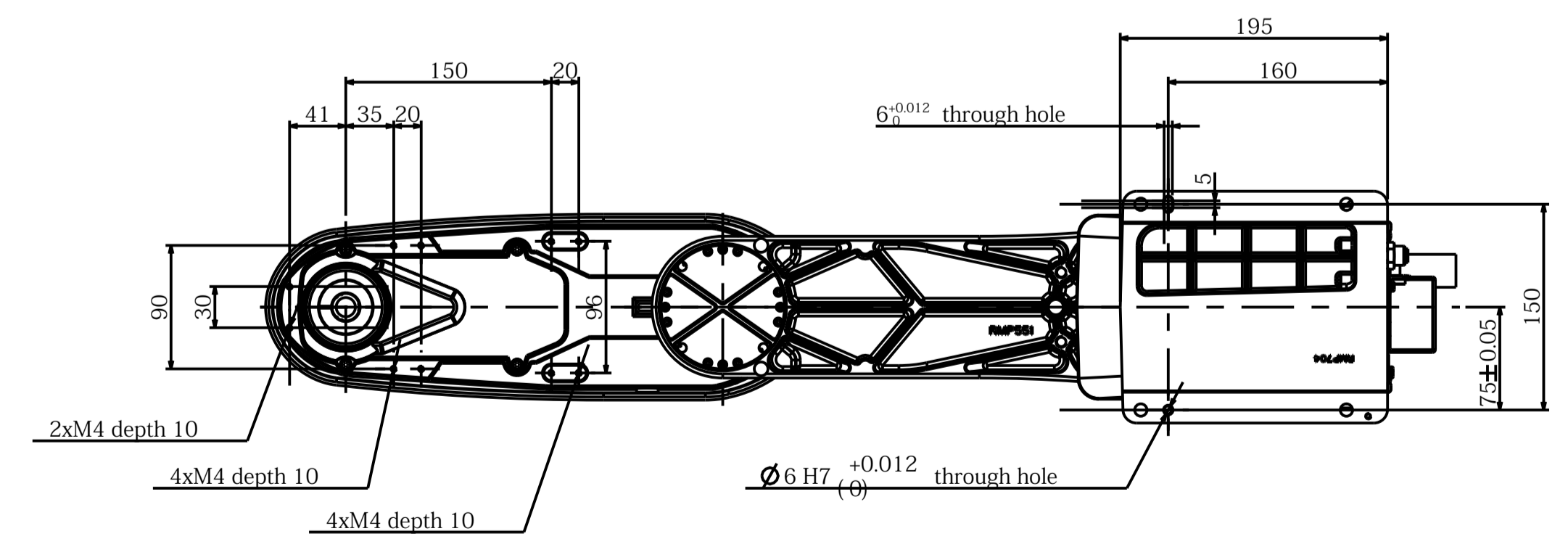
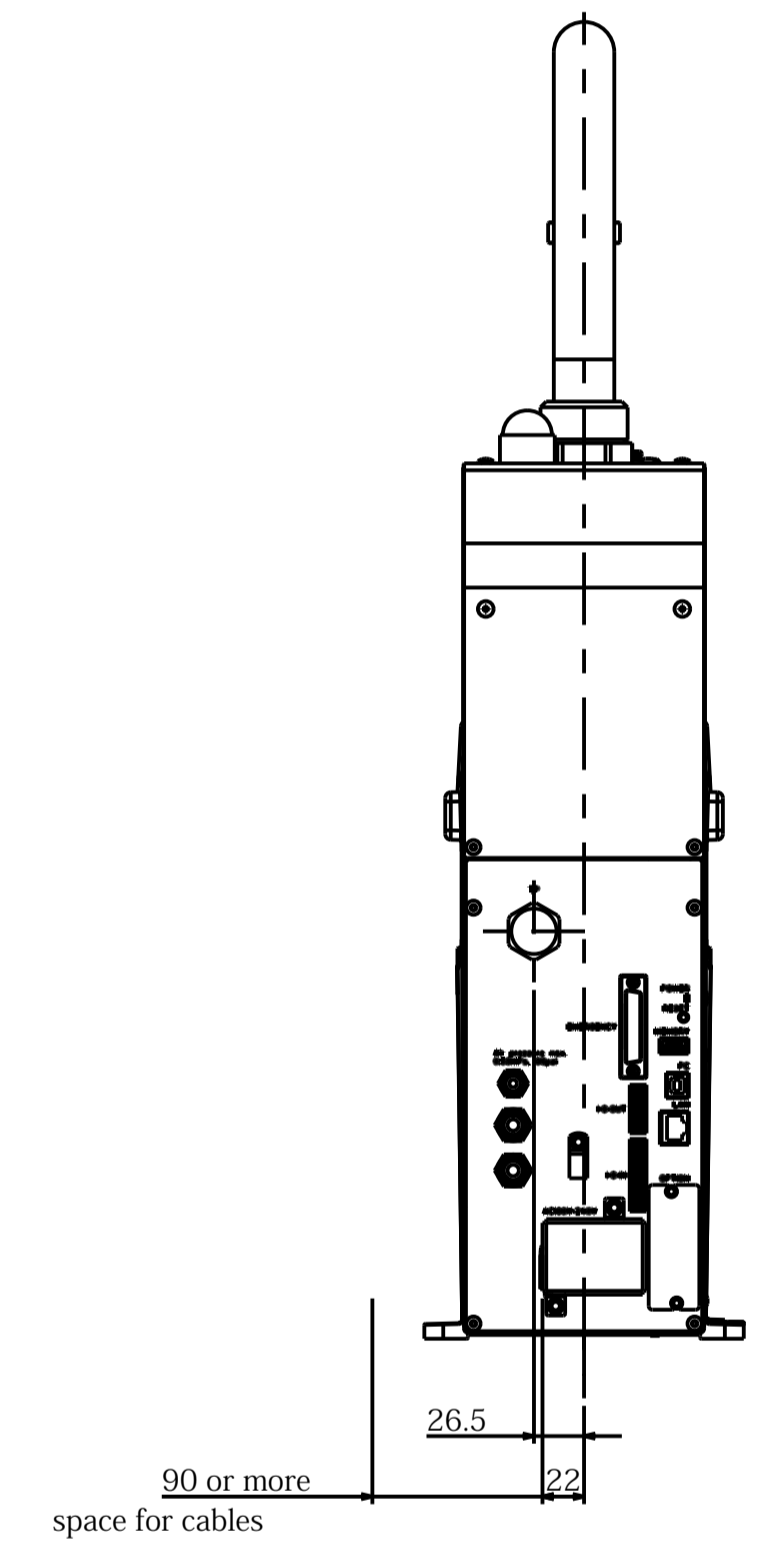


(\*) Indicates the stroke margin by mechanical stopper



Detail view from "A"  
(Calibration point position of joints #3 and #4)



A4

A4

A  
B  
C  
D  
E  
F  
G  
H