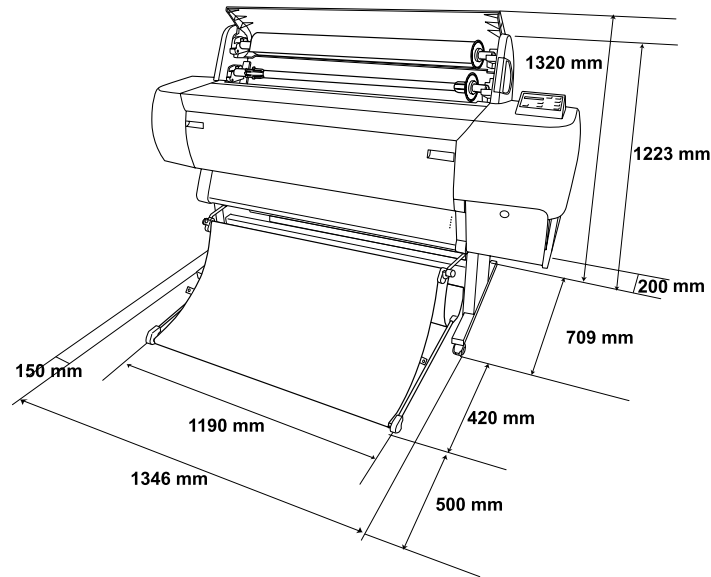


Unpacking Guide

Choosing a Place for the Printer

- ❑ Leave adequate room for easy operation, maintenance and ventilation.



- ❑ Leave at least 20cm between the back of the printer and the wall.
- ❑ Choose a location that can hold the printer weight (about 129kg with stand).
- ❑ Make sure the surface is flat and stable.
- ❑ Use a grounded power outlet; do not use a damaged or frayed power cord. Avoid using an outlet that is shared with other appliances.
- ❑ Use only an outlet that meets the power requirements of this printer.

- ❑ Operate the printer under the following conditions:
Temperature: 10 to 40°C
Humidity: 5 to 85% without condensation
- ❑ Avoid locations that are subject to direct sunlight, excessive heat, moisture, or dust.
- ❑ Do not block the ventilation openings.
- ❑ Avoid locations near potential sources of interferences such as loud speakers or cordless phones.
- ❑ Avoid locations near TVs, radios, air conditioners, or humidifiers.
- ❑ Keep the printer away from combustible substances.

Deciding Where to Unpack the Printer

- ❑ Setup and assemble the printer near to the chosen place of use, as moving the printer may result in damage.
- ❑ Allow floor space of 4 × 4m approx., and height of at least two times that of the larger box containing the printer unit.

Unpacking the Stand

Open the box containing the stand, and make sure that all of the items shown on the attached sheet are included, and are not damaged.

Turn Over

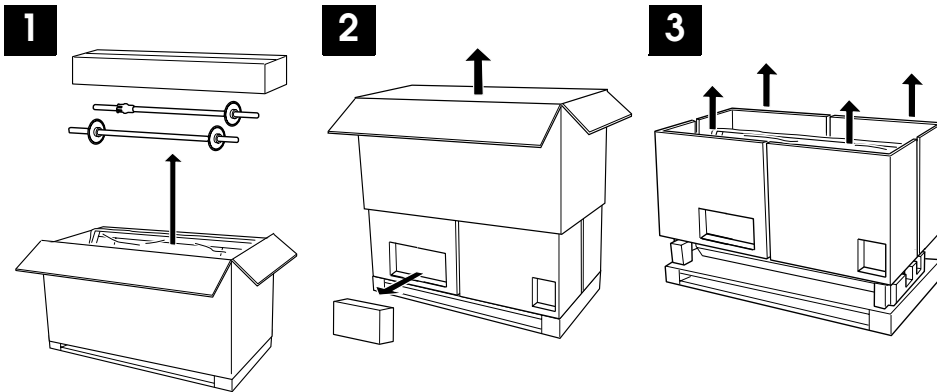
Unpacking the Printer

Follow the instructions to unpack the printer.



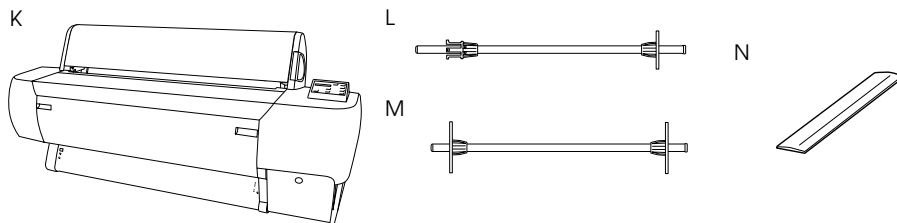
Caution:

The printer unit is heavy and unwieldy. Have two people unpack the printer, and four people place the printer on top of the stand.



Checking the Contents

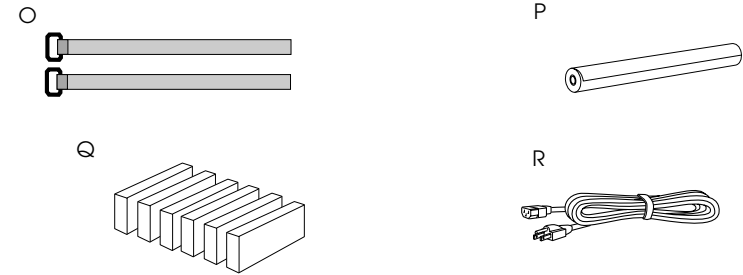
Make sure that all of the items shown below are included, and are not damaged.



- K: Printer
- L: 2-inch roll paper spindle
- M: 3-inch roll paper spindle
- N: Roll paper belt for 2-inch roll paper spindle

Note:

Roll paper belt is attached to the roll paper spindle.



- O: Roll paper belts for 3-inch roll paper spindle (2)

Note:

Roll paper belts are attached to the roll paper spindle.

- P: Roll paper (EPSON Semigloss Photo Paper; 5m)

- Q: Ink cartridges

Note:

For UltraChrome ink users, seven ink cartridges and one draining cartridge are included. For ColorFast or Dye ink users, six ink cartridges are included.

- R: Power cord

To assemble the printer and stand, see the *Assembly and Setup Guide*.

Reusing the Packaging

If you need to transport your printer a long distance, the printer should be repacked using the original boxes and packing materials. Contact your dealer for assistance.

Using the Assembly and Setup Guide

What to do next

After unpacking and checking the contents of the printer and the optional stand, see the *Assembly and Setup Guide* to assemble the printer and the optional stand.