

## Setting Up the Printer Hardware

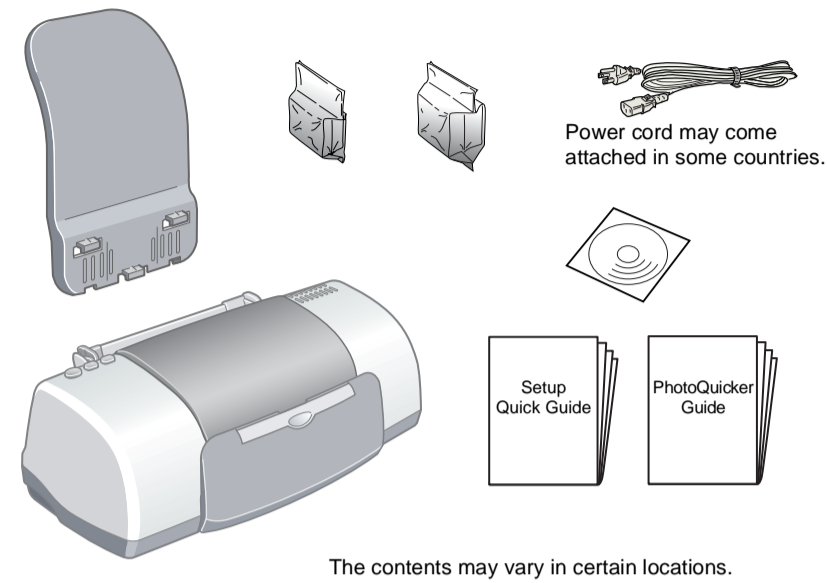
### Warnings, Cautions, and Notes

**Warnings** must be followed carefully to avoid bodily injury.

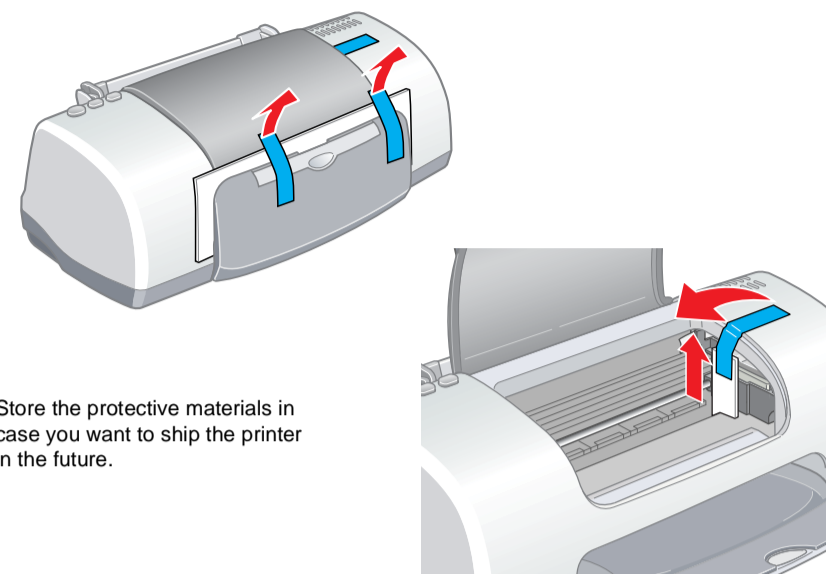
**Cautions** must be observed to avoid damage to your equipment.

**Notes** contain important information and useful tips on the operation of your printer.

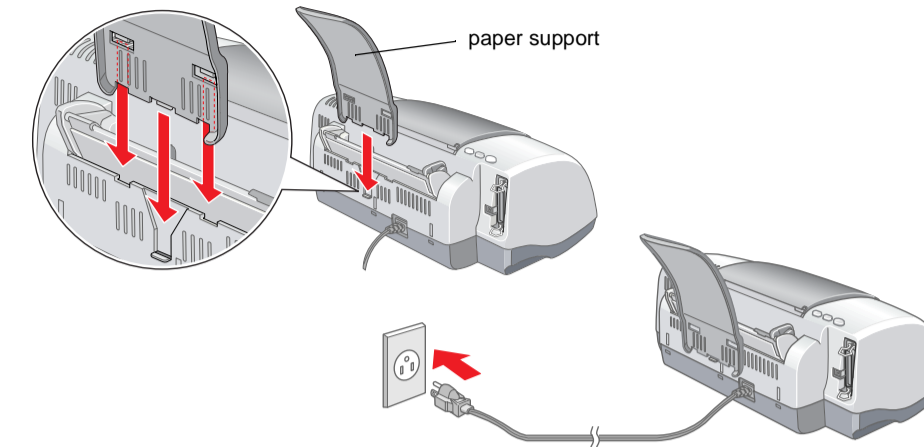
#### 1. Unpack



#### 2. Remove protective materials



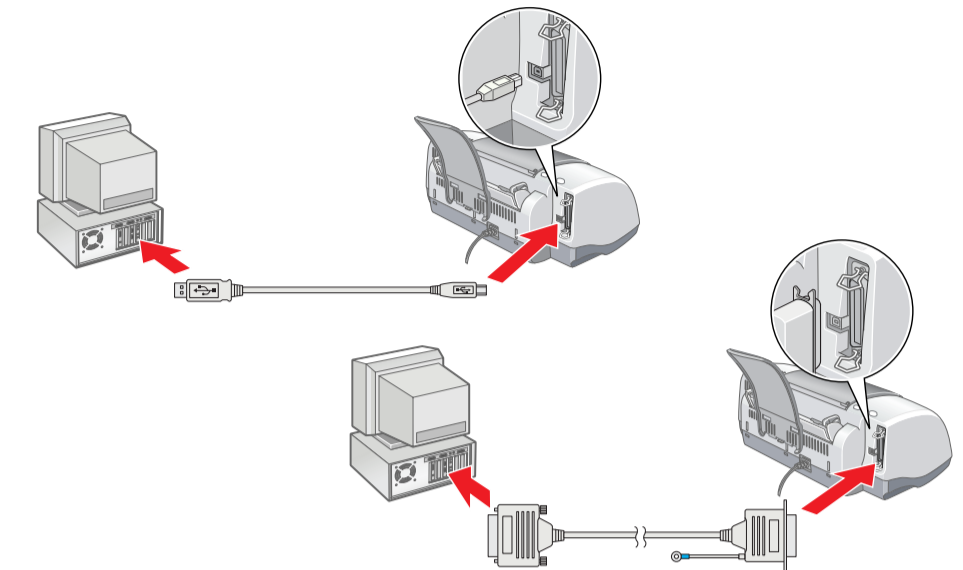
#### 3. Attach the printer parts



- Caution:**
- If the printer comes on when you plug in the power cord, turn off the printer by pressing the **⏻** power button.
  - Do not load the paper until the ink is charged. Paper may be loaded improperly.

#### 4. Connect the printer

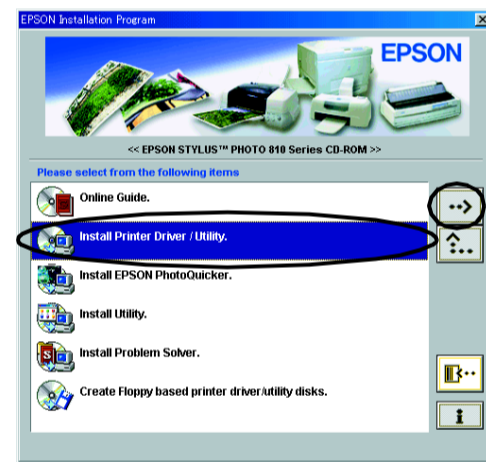
Connect the printer cable to the ports on the computer and the printer.



## Installing the Printer Software and the Ink Cartridges

### For Windows

- Make sure that printer is off, then turn on your computer.
- Insert the printer software CD in the CD-ROM drive. If the Installer dialog box does not appear, double-click **SETUP.EXE** in the CD-ROM.
- Select **Install Printer Driver/Utility**, and click **→**.
- Click **OK** in the dialog box that appears.
- When a message appears prompting you to turn on the printer, press the **⏻** power button. The print head moves to the ink cartridge installation position and the Setup utility starts automatically.



**Caution:** Do not move the print head by hand, as this may damage the printer.

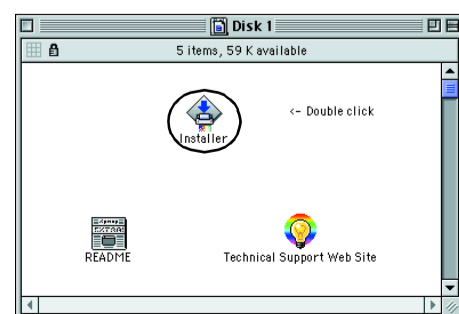
- Follow the Setup utility's on-screen instructions to install the ink cartridges.
- Note:** If the Setup utility does not start, follow the instructions in the Macintosh section of this sheet, beginning from "3. Install the ink cartridges."

When the ink cartridge installation is complete, proceed to "Load paper and check the print head nozzles" on this sheet.

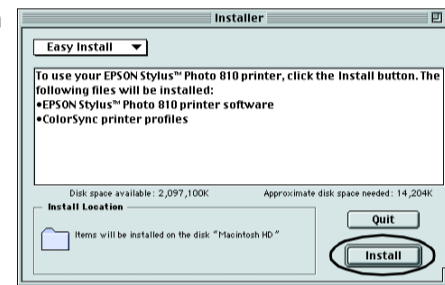
### For Macintosh

#### 1. Install the printer software

- Caution:** Turn off all virus protection programs before you install the printer software.
- Make sure that printer is off, then turn on your Macintosh and insert the software CD in the CD-ROM drive.
  - Double-click the **Install Software** folder, then double-click the **Installer** icon inside it.
  - Click **Continue**.

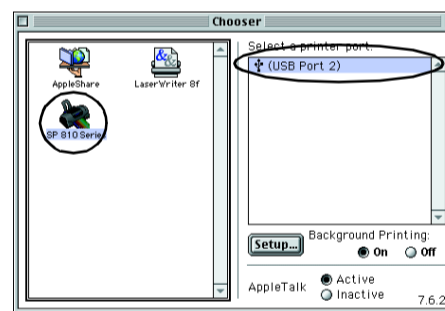


- Make sure that the Install Location box displays the correct drive, then click **Install**.
- Follow the on-screen instructions to install the printer software.



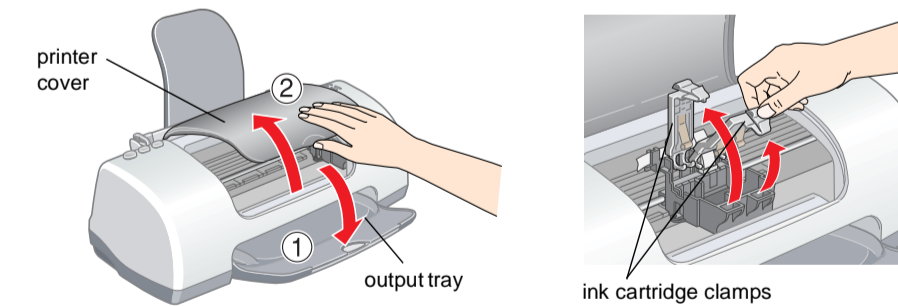
#### 2. Select the printer

- After you have installed the printer software, you need to select your printer.
- Press the **⏻** power button to turn on the printer. The print head moves to ink cartridge installation position.
  - Choose **Chooser** from the Apple menu. Then, select the icon for your printer and the port that your printer is connected to.
  - Close the Chooser.



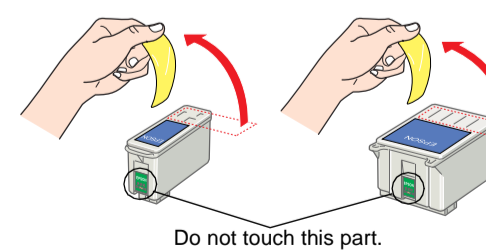
#### 3. Install the ink cartridges

- Open the output tray and the printer cover, then lift up the ink cartridge clamps, as shown in the illustrations.

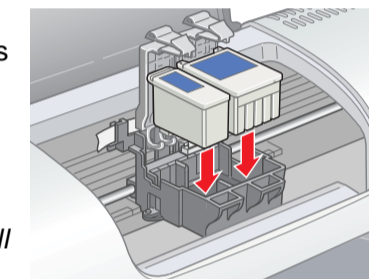


**Caution:** Do not move the print head by hand, as this may damage the printer.

- Remove only the yellow tape from the new ink cartridges.

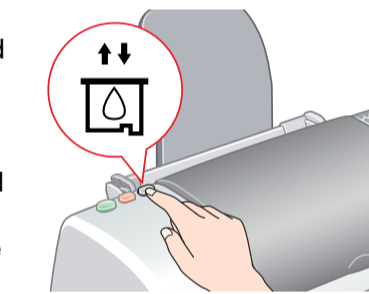


- Position the tabs on each ink cartridge so that they are resting on top of the tabs protruding from the base of the ink cartridge clamps. Do not apply excessive force to the cartridges.



**Note:** Install both ink cartridges. The printer will not work with only one cartridge.

- Lower the ink cartridge clamps until they lock into place.
- Close the printer cover.
- Press the **⏻** ink cartridge replacement button. The printer moves the print head and begins charging the ink delivery system. This process takes about one and a half minutes. While the ink is charging, the **⏻** power light flashes and the printer produces a variety of mechanical sounds. These sounds are normal.



**Caution:**

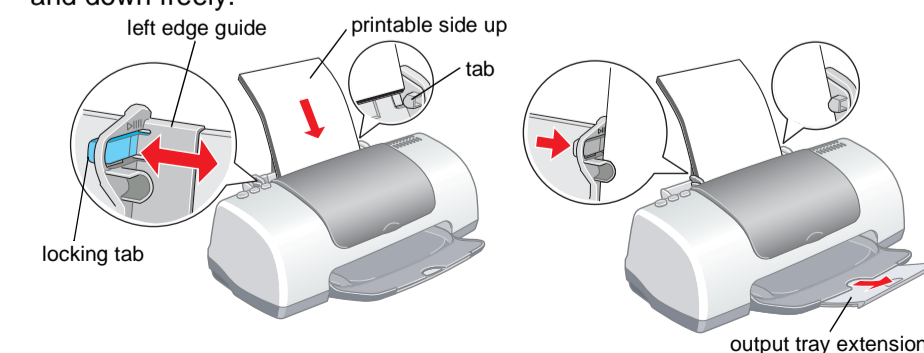
- Do not turn the power off during the ink charging process.
- Do not load paper until ink charging is complete.

When the ink charging process is finished, the power light stops flashing and remains on.

When ink cartridge installation is complete, proceed to "Load paper and check the print head nozzles" on this sheet.

### Load paper and check the print head nozzles

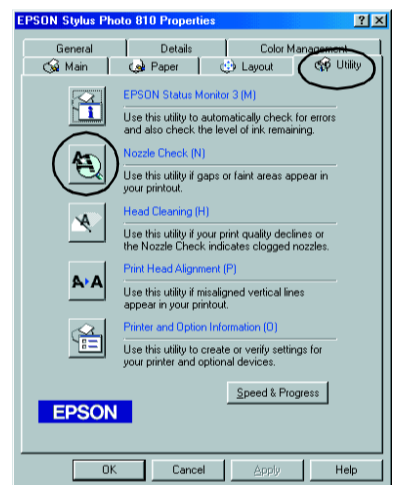
Before checking the print head nozzles, you need to load paper as shown below. When loading the paper, make sure that the paper stack fits under the tabs inside the edge guides and does not exceed the loading limit indicated by the arrow mark on the left edge guide. To adjust the left edge guide, hold down the locking tab and slide the guide against the paper stack. Make sure that the position of the edge guide allows the paper to move up and down freely.



Once paper is loaded, follow these steps to check the print head nozzles.

#### For Windows users

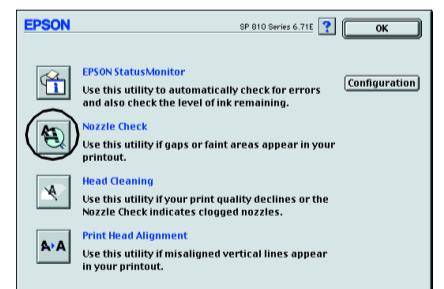
- Click the **Start** button, point to **Settings**, and click **Printers**.
- Select the icon for your printer, then click **Properties** on the File menu. Then click the **Utility** tab.
- Click the **Nozzle Check** button, and follow the on-screen instructions.
- When you are finished, click **OK** to close the Properties dialog box.



Your printer is now set up and ready to use.

#### For Macintosh users

- Select **Page Setup** in the Finder's **File** menu.
- Click the **Utility** icon.
- Click the **Nozzle Check** button, and follow the on-screen instructions.
- When you are finished, click **OK** to close the utility dialog box. Then click **OK** to close the Page Setup dialog box.



Your printer is now set up and ready to use.

All rights reserved. No part of this publication may be reproduced, stored in a retrieval system, or transmitted in any form or by any means, electronic, mechanical, photocopying, recording, or otherwise, without the prior written permission of SEIKO EPSON CORPORATION. The information contained herein is designed only for use with this EPSON printer. EPSON is not responsible for any use of this information as applied to other printers. Neither SEIKO EPSON CORPORATION nor its affiliates shall be liable to the purchaser of this product or third parties for damages, losses, costs, or expenses incurred by the purchaser or third parties as a result of accident, misuse, or abuse of this product or unauthorized modifications, repairs, or alterations to this product, or (excluding the U.S.) failure to strictly comply with SEIKO EPSON CORPORATION's operating and maintenance instructions.

SEIKO EPSON CORPORATION shall not be liable for any damages or problems arising from the use of any options or any consumable products other than those designated as Original EPSON Products or EPSON Approved Products by SEIKO EPSON CORPORATION. SEIKO EPSON CORPORATION shall not be held liable for any damage resulting from electromagnetic interference that occurs from the use of any interface cables other than those designated as EPSON Approved Products by SEIKO EPSON CORPORATION. EPSON is a registered trademark and EPSON Stylus is a trademark of SEIKO EPSON CORPORATION. Microsoft and Windows are registered trademarks of Microsoft Corporation.

**General Notice:** Other product names used herein are for identification purposes only and may be trademarks of their respective owners. EPSON disclaims any and all rights in those marks.