

**EPSON®**

**EPSON STYLUS™ PRO 7600/9600**

# *Unpacking and Setup Guide*

---

<b>Safety Instructions . . . . .</b>	<b>1</b>
<b>Unpacking and Assembling Stylus Pro 9600 . . . . .</b>	<b>2</b>
<b>Unpacking and Assembling Stylus Pro 7600 . . . . .</b>	<b>8</b>
<b>Setting up Stylus Pro 7600/9600 . . . . .</b>	<b>13</b>
<b>Using the User Guides . . . . .</b>	<b>20</b>

All rights reserved. No part of this publication may be reproduced, stored in a retrieval system, or transmitted in any form or by any means, electronic, mechanical, photocopying, recording, or otherwise, without the prior written permission of SEIKO EPSON CORPORATION. The information contained herein is designed only for use with this EPSON printer. EPSON is not responsible for any use of this information as applied to other printers.

Neither SEIKO EPSON CORPORATION nor its affiliates shall be liable to the purchaser of this product or third parties for damages, losses, costs, or expenses incurred by the purchaser or third parties as a result of: accident, misuse, or abuse of this product or unauthorized modifications, repairs, or alterations to this product, or (excluding the U.S.) failure to strictly comply with SEIKO EPSON CORPORATION's operating and maintenance instructions.

SEIKO EPSON CORPORATION shall not be liable for any damages or problems arising from the use of any options or any consumable products other than those designated as Original EPSON Products or EPSON Approved Products by SEIKO EPSON CORPORATION.

SEIKO EPSON CORPORATION shall not be held liable for any damage resulting from electromagnetic interference that occurs from the use of any interface cables other than those designated as EPSON Approved Products by SEIKO EPSON CORPORATION.

EPSON is a registered trademark and ESC/P Raster and EPSON STYLUS are trademarks of SEIKO EPSON CORPORATION.

Microsoft and Windows are registered trademarks of Microsoft Corporation.

Apple and Macintosh are registered trademarks of Apple Computer, Inc.

*General Notice: Other product names used herein are for identification purposes only and may be trademarks of their respective owners. EPSON disclaims any and all rights in those marks.*

Copyright © 2002 by SEIKO EPSON CORPORATION, Nagano, Japan.

---

## Safety Instructions

---

### Important Safety Instructions

Read all of these instructions before using your printer. Also be sure to follow all warnings and instructions marked on the printer.

- ❑ Do not block or cover the openings in the printer's cabinet.
- ❑ Do not insert objects through the slots. Take care not to spill liquid on the printer.
- ❑ Use only the type of power source indicated on the printer's label.
- ❑ Do not use a damaged or frayed power cord.
- ❑ If you use an extension cord with the printer, make sure the total ampere rating of the devices plugged into the extension cord does not exceed the cord's ampere rating. Also, make sure the total ampere rating of all devices plugged into the wall outlet does not exceed the wall outlet's ampere rating.
- ❑ Do not attempt to service the printer yourself.
- ❑ Unplug the printer and refer servicing to qualified service personnel under the following conditions:

The power cord or plug is damaged; liquid has entered the printer; the printer has been dropped or the cabinet damaged; the printer does not operate normally or exhibits a distinct change in performance.

- ❑ The interface connector (including Type B interface card) and the connector for optional Auto Take-up Reel Unit are Non-LPS (non-limited power source).

### A Few Precautions

#### When choosing a place for the printer

- ❑ Avoid places subject to rapid changes in temperature and humidity. Also keep the printer away from direct sunlight, strong light, or heat sources.
- ❑ Avoid places subject to shocks and vibrations.

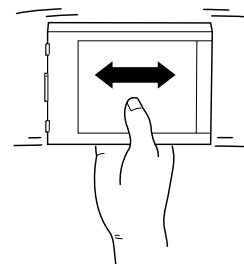
- ❑ Keep the printer away from the dusty areas.
- ❑ Place the printer near a wall outlet where the plug can be easily unplugged.

#### When using the printer

- ❑ Do not put your hand inside the printer or touch the ink cartridges during printing.
- ❑ Do not move the print heads by hand; otherwise you may damage the printer.

#### When handling the ink cartridges

- ❑ Keep ink cartridges out of the reach of children and do not drink.
- ❑ If ink gets on your skin, wash it off with soap and water. If it gets in your eyes, flush them immediately with water.
- ❑ If you use EPSON UltraChrome ink cartridges, shake the ink cartridge gently before installing it for best results.



#### Caution:

*Do not shake cartridges that have been installed previously.*

- ❑ Do not use an ink cartridge beyond the date printed on the cartridge carton.
- ❑ Use up the ink cartridge within six months of installation for best results.
- ❑ Store ink cartridges in a cool, dark place.
- ❑ Do not dismantle the ink cartridges or try to refill them. This could damage the print head.
- ❑ Do not touch the green IC chip on the side of the ink cartridge. This may affect normal operation and printing.
- ❑ Do not touch the ink supply port or surrounding area of the ink cartridge.

## For United Kingdom Users

### Use of options

EPSON (UK) Limited shall not be liable against any damages or problems arising from the use of any options or consumable products other than those designated as Original EPSON Products or EPSON Approved Products by EPSON (UK) Limited.

### Safety Information



#### Warning:

*This appliance must be earthed. Refer to rating plate for voltage and check that the appliance voltage corresponds to the supply voltage.*

#### Important:

*The wires in the mains lead fitted to this appliance are coloured in accordance with the following code:*

*Green and yellow - Earth*

*Blue - Neutral*

*Brown - Live*

#### If you have to fit a plug:

As the colours of the mains lead of this appliance may not match coloured markings used to identify the terminals in a plug, please proceed as follows:

The green and yellow wire must be connected to the terminal in the plug which is marked with the letter E or earth symbol ( $\perp$ ).

The blue wire must be connected to the terminal in the plug marked with the letter N.

The brown wire must be connected to the terminal in the plug marked with the letter L.

If damage occurs to the plug, replace the cord set or consult a qualified electrician.

Replace fuses only with a fuse of the correct size and rating.

## Warnings, Cautions, and Notes



*Warnings must be followed carefully to avoid bodily injury.*



*Cautions must be observed to avoid damage to your equipment.*

*Notes contain important information and useful tips on the operation of your printer.*

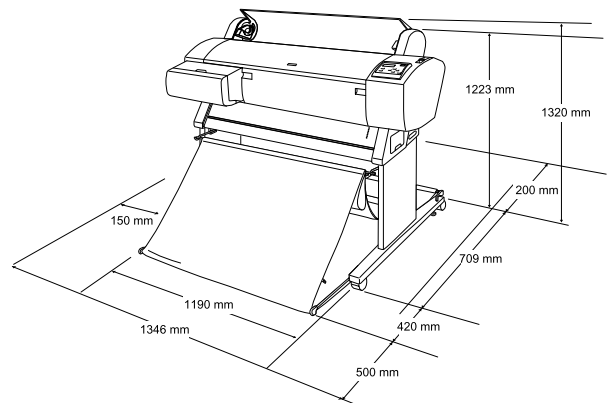
---

## Unpacking and Assembling Stylus Pro 9600

---

### Choosing a Place for the Printer

- Leave adequate room for easy operation, maintenance and ventilation.



- Leave at least 20 cm between the back of the printer and the wall.
- Choose a location that can hold the printer weight (about 84 kg with base unit).
- Make sure the surface is flat and stable.
- Use a grounded power outlet; do not use a damaged or frayed power cord. Avoid using an outlet that is shared with other appliances.
- Use only an outlet that meets the power requirements of this printer.

- ❑ Operate the printer under the following conditions:
  - Temperature: 10 to 40°C
  - Humidity: 5 to 85% without condensation
- ❑ Avoid locations that are subject to direct sunlight, excessive heat, moisture, or dust.
- ❑ Do not block the ventilation openings.
- ❑ Avoid locations near potential sources of interference such as loud speakers or cordless phones.
- ❑ Avoid locations near TVs, radios, air conditioners, or humidifiers.
- ❑ Keep the printer away from combustible substances.

### ***Deciding Where to Unpack the Printer***

Before unpacking, read the followings:

- ❑ Setup and assemble the printer near to the chosen place of use, as moving the printer may result in damage.
- ❑ Allow floor space of 4 × 4 m approx., and height of at least two times that of the larger box containing the printer unit.

### ***Unpacking and assembling the printer***

#### ***Unpacking the base unit***

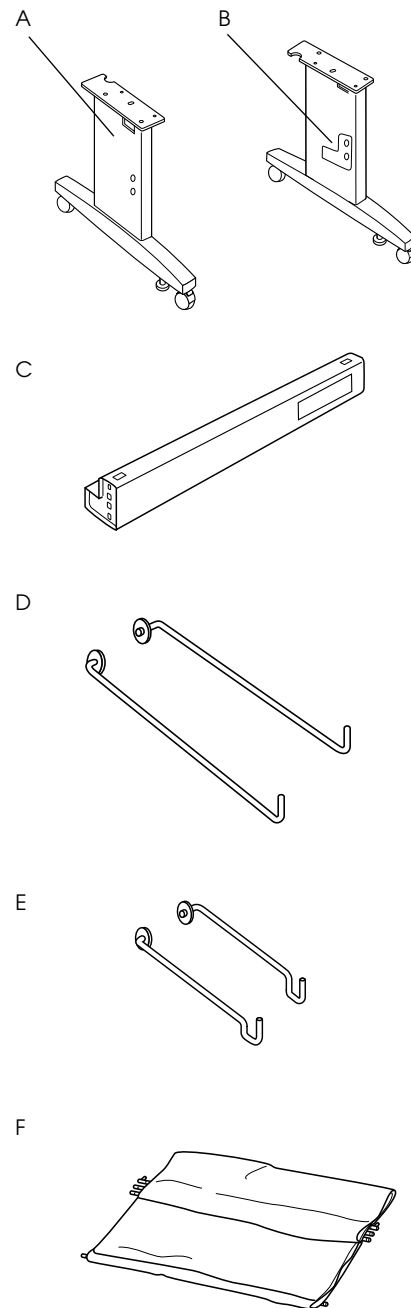
Open the box and remove the fixers from the sides of the box. Lift the box up and away from the printer, then fold it and set it aside.



**Caution:**

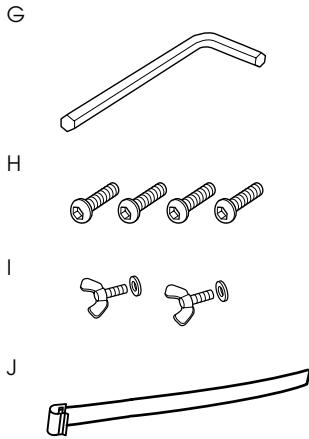
*The printer unit is heavy and unwieldy. Have two people unpack the printer unit, and four people place the printer unit on top of the base unit.*

**Parts:**



- A: Base upright, left
- B: Base upright, right
- C: Horizontal strut
- D: Basket hooks, long (2)
- E: Basket hooks, short (2)
- F: Paper basket

**Tools:**



- G: Hex wrench
- H: Hex socket head bolts (4)
- I: Wing nuts and spring washers (2)
- I is for connecting the printer unit to the base unit.
- J: Paper feed support films (5)

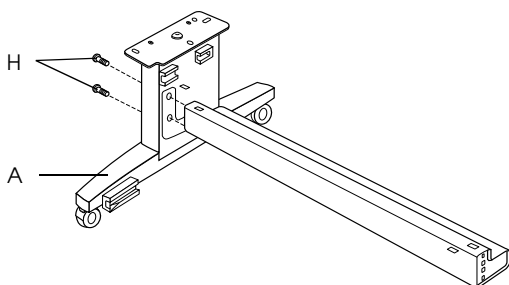
**Assembling the base unit**

**! Caution:**  
Have two people working on either side to assemble the base unit (20.5 kg).

1. Hold base upright left (A) and a horizontal strut as shown. Then fix the strut to the base using the two hex socket head bolts (H) with the hex wrench (G).

**Note:**

- ☐ An instruction sticker about the setting paper basket is attached to the side of a horizontal strut. Attach the strut front so that you can read the instructions.
- ☐ Do not fasten the screws too tight. Leave a room to adjust the position when you fasten the screw on the other base upright.



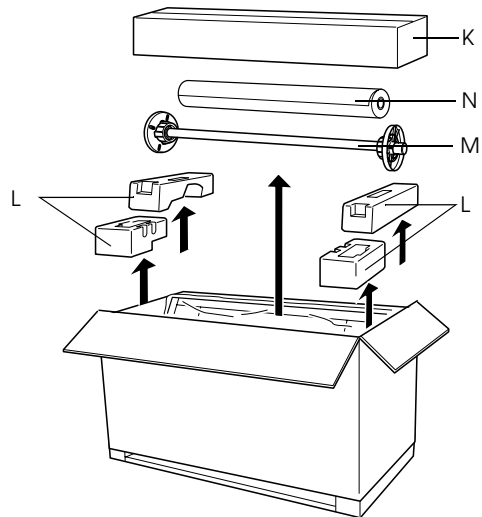
2. Referring the Step 1, fix the other strut to the base.
3. Fasten four screws on the both sides of the base upright securely.

This completes assembly of the base unit. Before attaching the paper basket, mount the printer on the base unit.

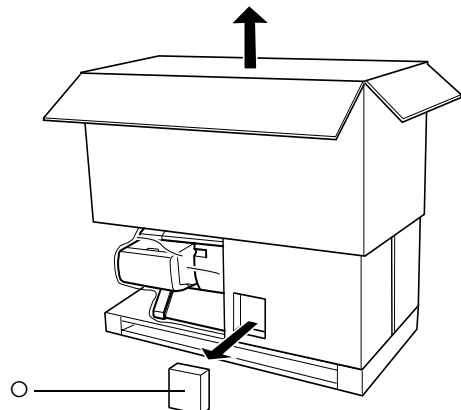
**Unpacking the printer**

**! Caution:**  
The printer unit is heavy and unwieldy. Have two people unpack the printer unit, and four people place the printer unit on top of the base unit.

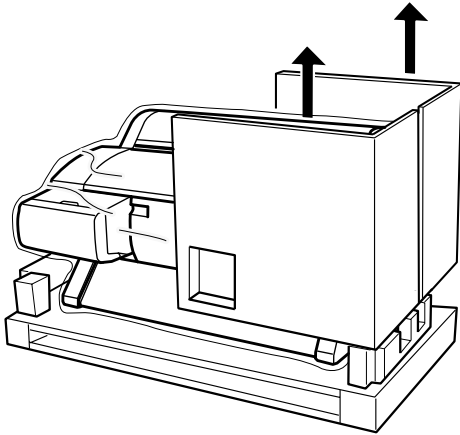
1. Remove the accessory box (K), the polystyrene foam (L), roll paper spindle (M), and roll paper (N).



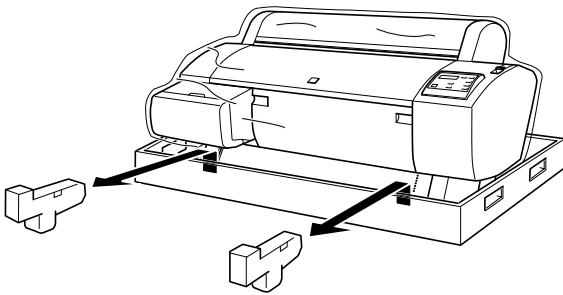
2. Remove the ink cartridges (O).



- Take out the cardboard panels from around the printer.

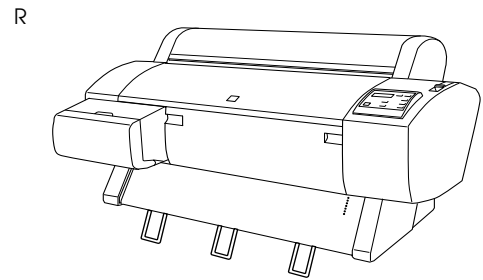
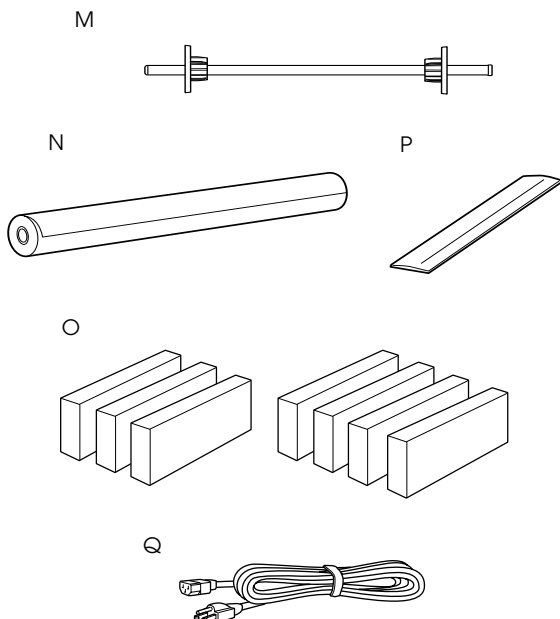


- Remove the polystyrene foam stoppers under the printer.



### Checking the printer unit box contents

Make sure that all of the items shown below are included, and are not damaged.



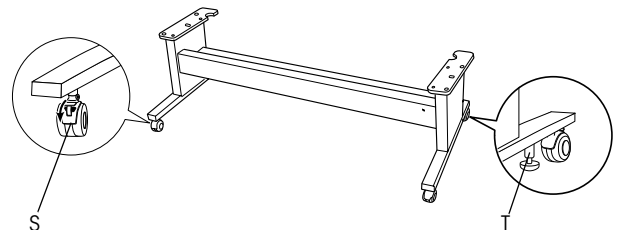
- M: Roll paper spindle
- N: Roll paper (EPSON Doubleweight Matte Paper; 5 m)
- O: Ink cartridges (Yellow, Cyan, Magenta, Light Cyan, Light Magenta, Black1, Black2)
- P: Roll paper belt (for keeping roll paper wound up)
- Q: Power cord (In the document pack)
- R: Printer unit

### Note:

- ❑ The shape of the AC plug varies by country; be sure the plug included is the right shape for your location.
- ❑ The power cord location varies from country to country. If you can not find the power cord in the document box, see the polystyrene foam (L) mentioned in "Unpacking the printer" on page 4.

### Mounting the printer on the base unit

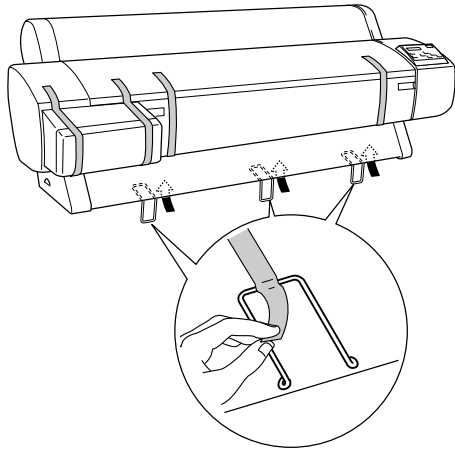
- Lock the two casters (S) and extend the two stabilizer knobs (T) underneath the base unit.



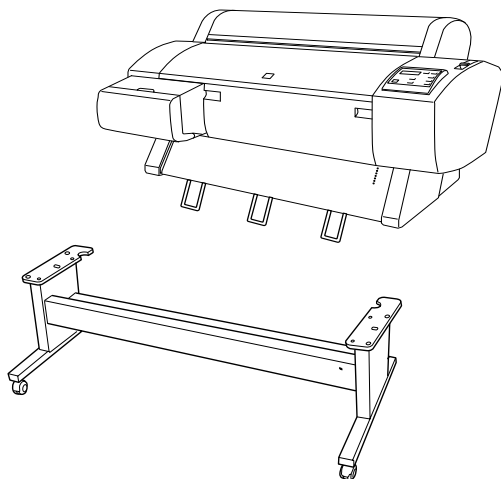
### Note:

Place the casters sideways and lock them so they will not move.

- Remove the protective materials of the paper guides from underneath the printer.



- Position the base unit in front of the printer unit as shown.



- Mount the printer on the base unit as shown below.



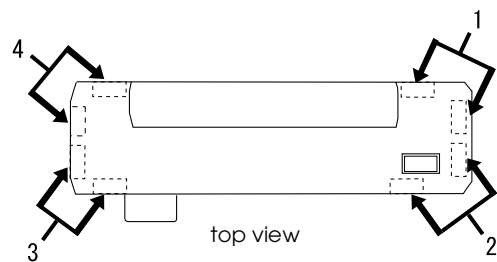
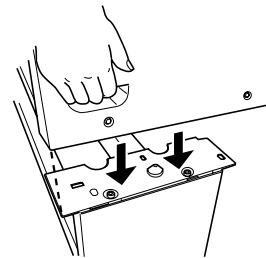
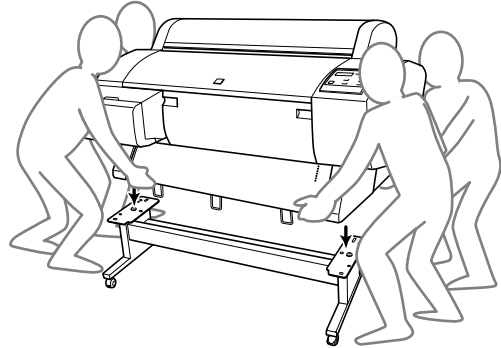
**Caution:**

Do not attempt to lift the printer unit with fewer than four people.

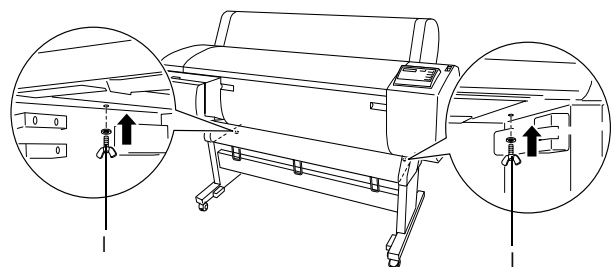
**Note:**

- Be careful that the paper guides are not touching the strut when mounting the printer.

- When you place the printer on the base unit, match the right end square of the printer (shown as 4 in the illustration below) to the square of the same part of the base unit.



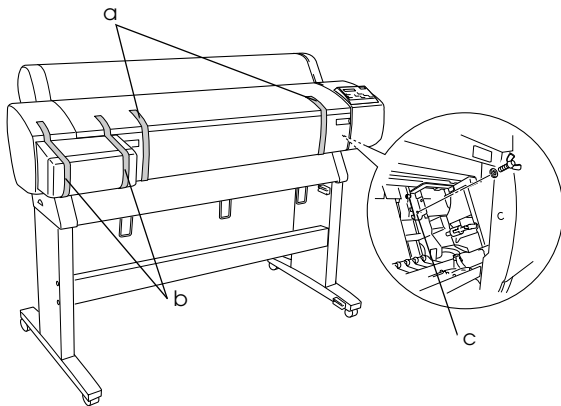
- Fasten the bottom of the printer and base unit with wing nuts and washers (I).



- Release the front casters and the stabilizer knobs and move the printer to the place of use (a short distance away). Lock the casters and extend the stabilizer knobs after moving.



- Remove the protective materials.



- a: from the front cover (tapes)
- b: from the ink compartment cover (tapes)
- c: from the side of the print head compartment (fixing metal plate inside the front cover)

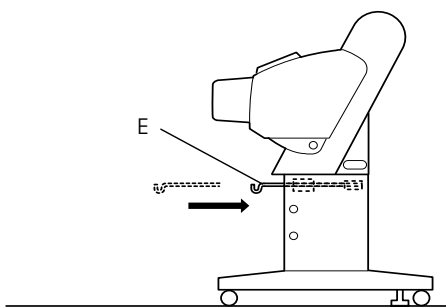


**Caution:**  
*Watch your fingers when opening and closing the front cover.*

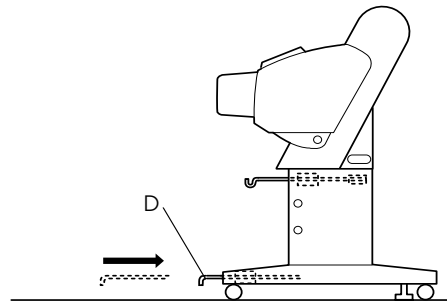
- Close the front cover.

### Attaching the paper basket

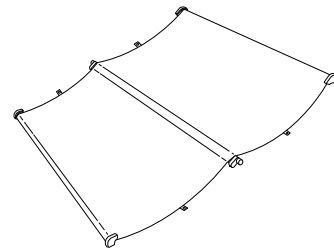
- Fully insert and attach the short basket hooks (E) to the upper guides of base upright left and right.



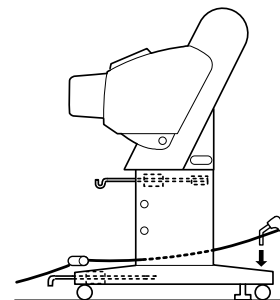
- Likewise, fully insert and attach the long basket hooks (D) to the lower guides.



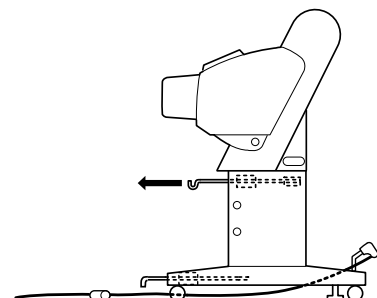
- Turning the stitch side downward, spread the paper basket on the floor.



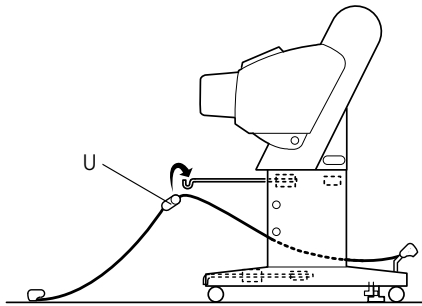
- Holding the rear shaft, pass it under the horizontal struts. Then insert the stanchion pins into the holes on the base upright left and right.



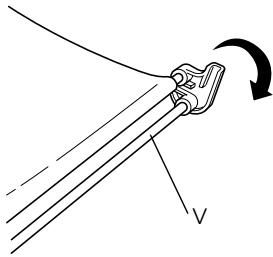
- Slide out the upper basket hooks to their full length.



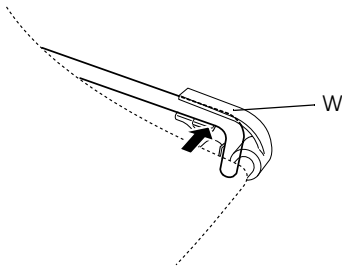
- Hook the both ends of the center shafts (U) on the upper basket hooks.



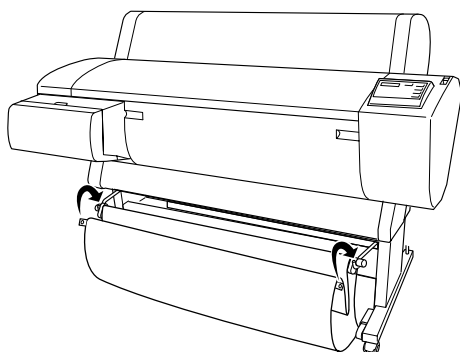
- Hold the front side shafts (V) and turn it one revolution as shown below.



- Slide out the lower basket hooks to their full length, then attach the L shape ends to the joint sockets (W) on the front side.



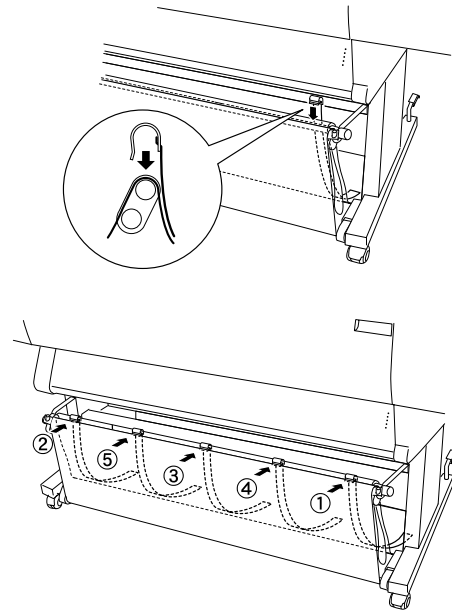
- Slide the upper and lower basket hooks back.
- Hook the basket rings in the direction shown below to take up the slack.



- As shown in the figure, hook the paper feed support film on the intermediate shaft of the paper basket, so that it hangs along the inner surface of the basket.

**Note:**

Set five paper feed support films at even intervals in the order shown in the figure.



## Unpacking and Assembling Stylus Pro 7600

### Choosing a Place for the Printer

- ❑ Leave adequate room for easy operation, maintenance, and ventilation.
- ❑ Leave at least 15 cm between the back of the printer and the wall.
- ❑ Place the printer on a desk. If you can not place the printer on a desk, you will need the optional Stand. If you place your printer on a desk, follow the guidelines listed below.
  - ❑ Choose a desk that can hold the printer weight (about 43.5 kg) and has a height of 600-800 mm from the floor.
  - ❑ Make sure the surface is flat and stable.

- ❑ Place the front rubber legs of the printer just at the end of the desk.
- ❑ Leave enough room (over 600 mm) in front of the desk.
- ❑ Prevent your printouts from getting dirty or crinkled.
- ❑ Use a grounded power outlet. Do not use a damaged or frayed power cord. Avoid using an outlet that is shared with other appliances.
- ❑ Use only an outlet that meets the power requirements of this printer.
- ❑ Operate the printer under the following conditions:

Temperature: 10 to 35 °C

Humidity: 20 to 80% without condensation

- ❑ Avoid locations that are subject to direct sunlight, excessive heat, moisture, or dust.
- ❑ Do not block the ventilation openings.
- ❑ Avoid locations near potential sources of interference such as loud speakers or cordless phones.
- ❑ Avoid locations near TVs, radios, air conditioners, or humidifiers.
- ❑ Avoid locations that are subject to shocks or vibrations.
- ❑ Keep the printer away from combustible substances.
- ❑ Keep the printer away from dusty areas.

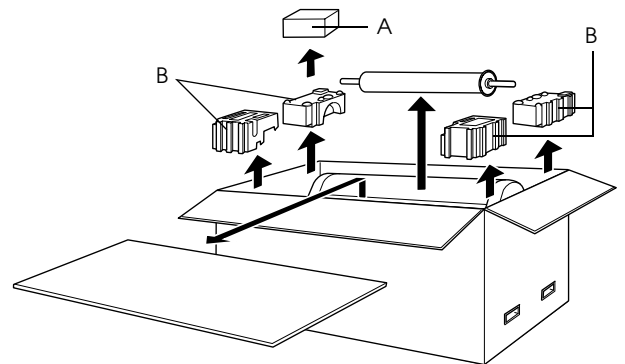
## Unpacking the Printer



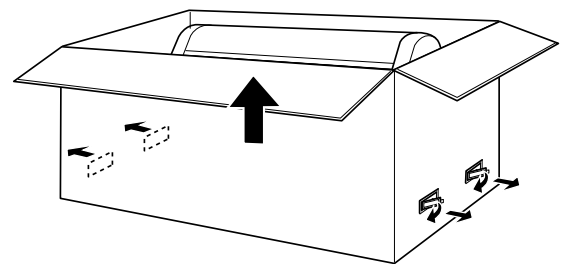
### Caution:

The printer unit is heavy and unwieldy. Have two people unpack the printer.

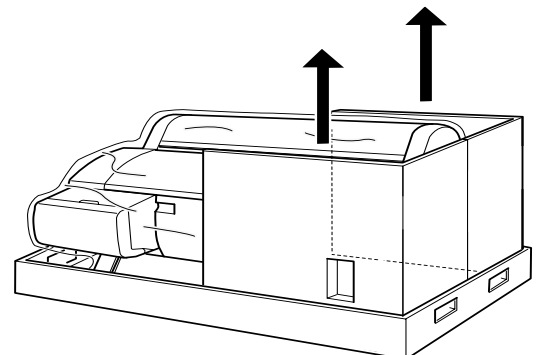
1. Open the box containing the printer and remove the cardboard panel, the accessory box (A), the roll paper spindle with roll paper, and the polystyrene foam (B) around the printer unit.



2. Remove the fixers from the sides of the box. Lift the box up and away from the printer, then fold it and set it aside.

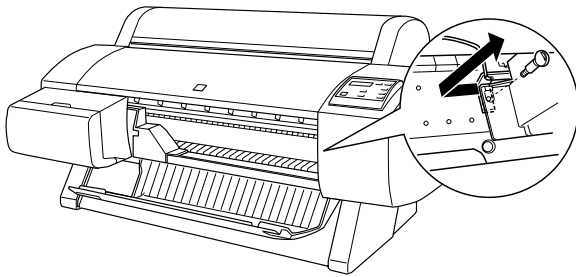


3. Remove the cardboard panels.



4. Remove the protective materials:

- ❑ from the front cover (tape).
- ❑ from the side of the print head compartment (inside the front cover).
- ❑ from the ink compartment cover (tape).



**Note:**

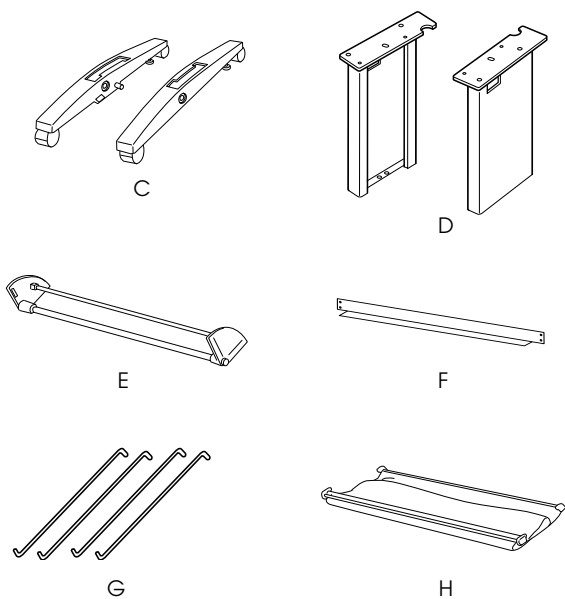
Do not re-install the screw. Store it separately to avoid losing it.

### Using the Optional Stand

#### Checking the contents of the package

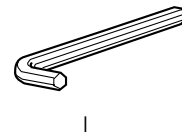
Before assembling the Stand, check the contents of the package to make sure that all of the items shown below are included, and are not damaged.

**Parts:**



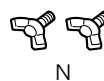
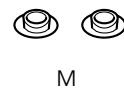
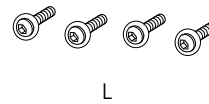
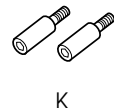
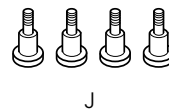
- C: Right base (1) and Left base (1)
- D: Right leg (1) and Left leg (1)
- E: Bottom horizontal strut (1)
- F: Top horizontal strut (1)
- G: Basket hooks (4)
- H: Paper basket (1)

**Tool:**



- I: Hex wrench (1)

**Accessories:**



- J Base bolts (4)
- K Strut bolts (2)
- L + head screws with washers (4)
- M Plugs (2)
- N Wing screws (2)
- O Washers (2)

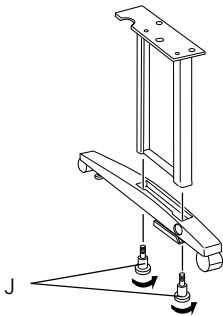
## Assembling the Stand



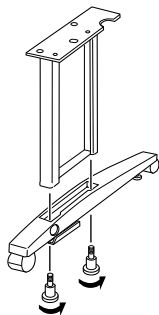
### Caution:

Assembly requires two people. Be careful to match the right and left legs (R and L is engraved on the inner side of the base parts) and base parts.

1. Insert the right leg into the right base by sliding the leg slot onto the base projection as shown. Fasten the leg to the base with 2 base bolts (J).



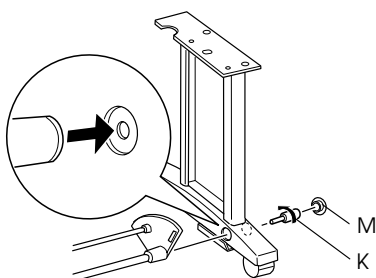
2. Assemble the left leg and left base in the same way as step 1.



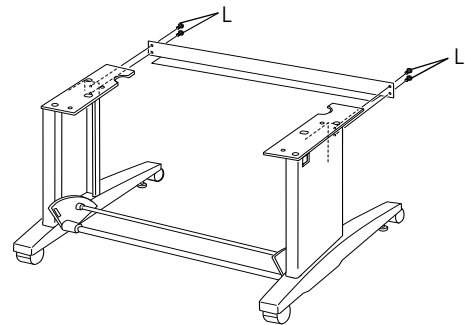
3. Insert the bottom horizontal strut into the right and left bases as shown. Use the hex wrench (I) to fasten the strut with strut bolts (K), then insert plugs (M) over the bolts.

### Note:

After assembling the bases and bottom horizontal strut, make sure that they are fastened tightly.



4. Insert the top horizontal strut into the right and left legs. Use a screw driver to fasten the strut with + head screws with washers (L).



5. This completes assembly of the Stand. Make sure each part of the Stand is tightened securely.

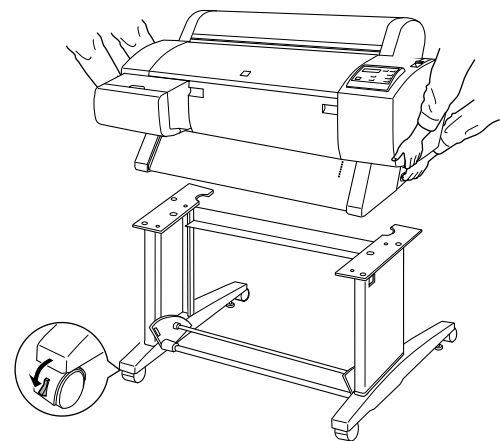
## Mounting the printer on the Stand



### Caution:

Two or more people are required to mount the printer. Hold the printer at the indicated locations as shown. If the ink cartridges are installed, do not tip the printer at an angle. Otherwise, ink may leak from the cartridges.

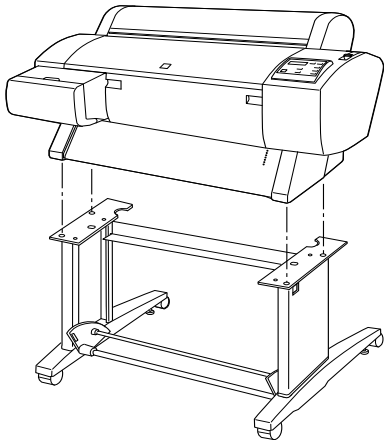
1. Position the printer and the Stand as shown. Then lock the casters of the Stand.



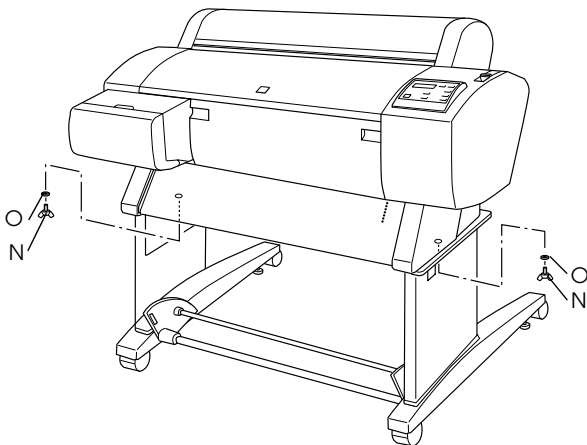
### Note:

Place the casters sideways and lock them so they will not move.

2. Mount the printer on the printer mount as shown.



3. Fasten the bottom of the printer and the printer mount with wing screws (N) and washers (O).

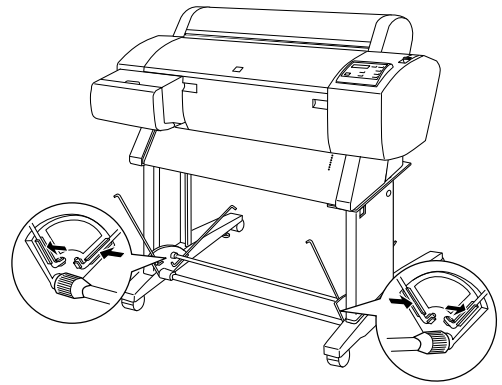


4. This completes the mounting procedure. Make sure the printer and the Stand are fastened together securely.

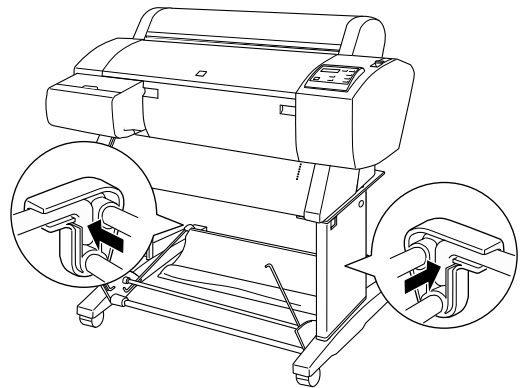
When you feed the roll paper forward, extend the two paper guides out from the lower printer before printing.

### **Attaching the paper basket**

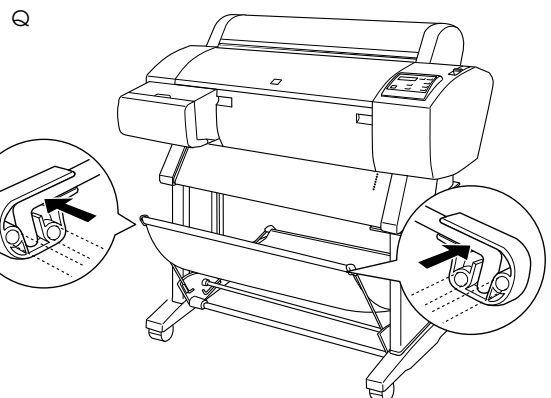
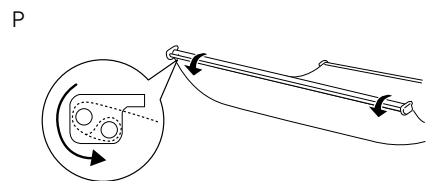
1. Insert the basket hooks into the slots on the rotary boards attached to the bottom horizontal strut. The top ends of the basket hooks should be facing downward.



2. Snap the rear paper basket joints onto the tips of the basket hooks at the rear of the Stand. Make sure the joints are positioned as shown.



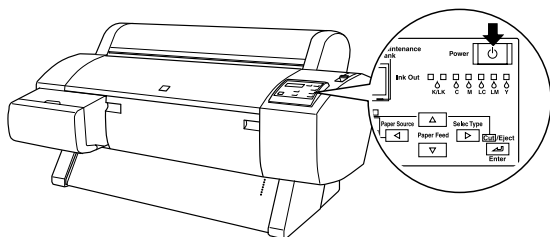
3. Rotate the front paper basket joints to enfold the bar which is not attached to the fabric as shown (P). Then, snap the front paper basket joints onto the tips of the basket hooks at the front of the Stand. Make sure the joints are positioned as shown (Q).



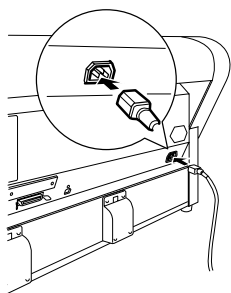
## Setting up Stylus Pro 7600/9600

### Connecting the power cord

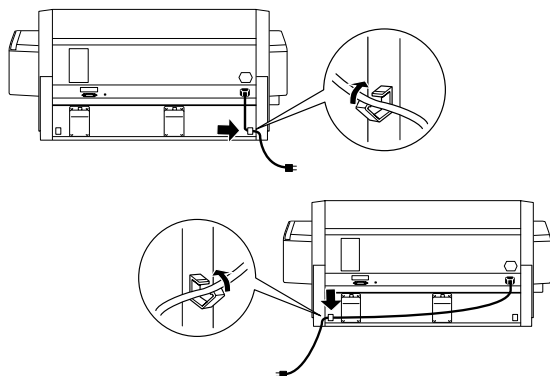
1. Make sure that the printer is off. It is off when the surface of the Power button is even with the button protectors.



2. Connect the power cord to the AC inlet on the back of the printer.



3. Route the power cord through the clamps at the rear of the printer. The cord can be routed to either the left or right side.



4. Check the label on the back of the printer to make sure the voltage required by the printer matches that of the electrical outlet you are using.

5. Plug the power cord into a properly grounded electrical outlet.



#### Caution:

Do not use an outlet that is controlled by an automatic timer or wall switch. Otherwise, accidental shut down or damage to your printer may occur.

### Installing the ink cartridges

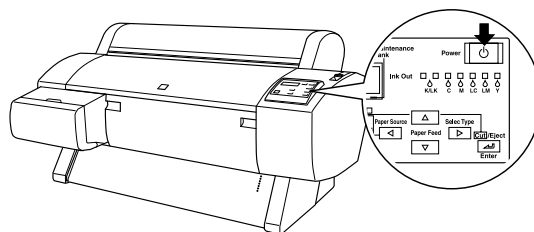
To install the ink cartridges, follow the instructions below.



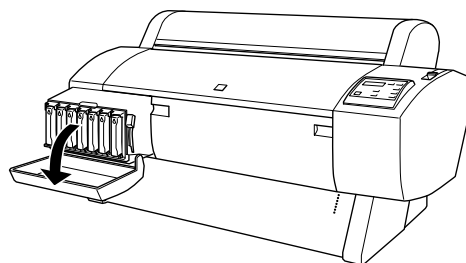
#### Warnings:

The ink cartridges are self-contained units. Under ordinary use, ink will not leak from the cartridges. If ink does get on your hands, wash them thoroughly with soap and water. If ink gets into your eyes, flush them immediately with water.

1. Turn on the printer by pressing the Power button. After a short time NO INK CARTRIDGE is displayed on the LCD panel.



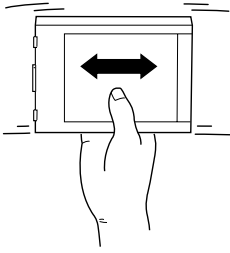
2. Open the ink compartment cover, and make sure that the ink lever is in the up position.



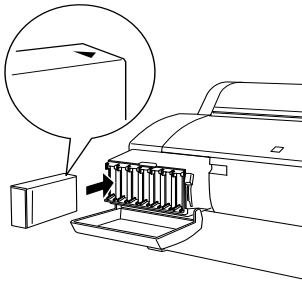
3. Remove the package from an ink cartridge.

**Note:**

If you use the EPSON UltraChrome ink cartridge, shake the cartridge gently before installing it.



4. Hold the ink cartridge with arrow mark on the left side and pointing to the rear of the printer, and insert it into the slot until the corresponding Ink Out light turns off.



5. Repeat step 4 for the other six color ink cartridges.
6. After inserting all ink cartridges into each slot, set the ink lever in the down position.
7. Close the ink compartment cover.

After installing all seven ink cartridges, the printer begins charging the ink delivery system and the Pause light flashes (for about 7 minutes). When the ink delivery system is charged, the Pause light stops flashing.



**Caution:**

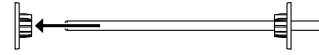
Never do the following while the Pause light is flashing; otherwise damage may occur:

- Turn off the printer
- Open the front cover
- Set the ink lever in the up position
- Move the paper lever to the released position
- Unplug the power cord

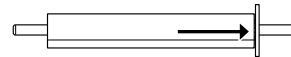
## Loading the Roll Paper

To load the roll paper onto the printer, follow the instructions below.

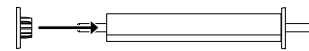
1. Slide the movable flange off the end of the spindle.



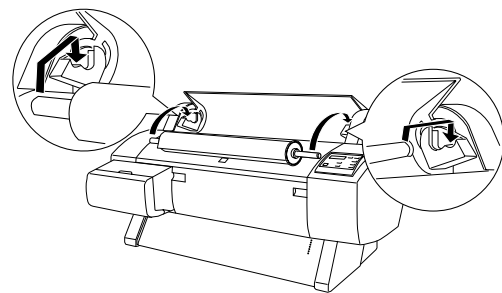
2. Place the roll paper on a flat surface so that it unwinds in the direction shown. Slide the roll paper onto the spindle and fully onto the fixed flange.



3. Slide the movable flange back onto the spindle until it fixes into place in the end of the roll paper.



4. Open the roll paper cover. Holding the spindle, fit the left and right ends of the spindle into the mounting brackets inside the printer.



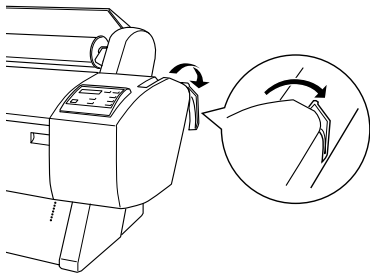
**Note:**

The spindle and mounting brackets are color-coded. Mount the spindle into the mounting bracket that is the same color as the end of the spindle.

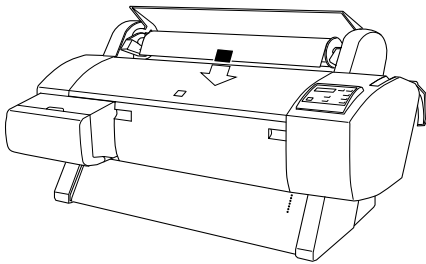
5. Make sure that the printer is turned on, then repeatedly press the Paper Source button until the Roll Auto Cut light comes on.



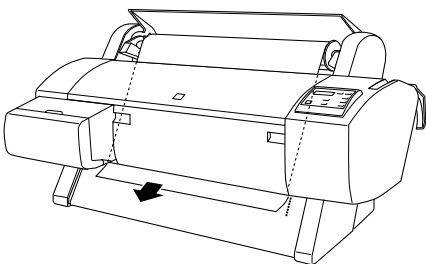
- Set the paper lever to the released position.



- Insert the paper into the paper insertion slot.



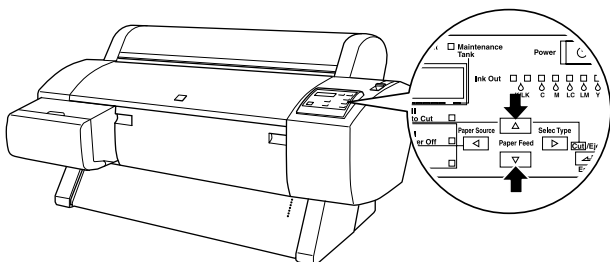
- Pull the paper down through the paper insertion slot so that it comes out below.



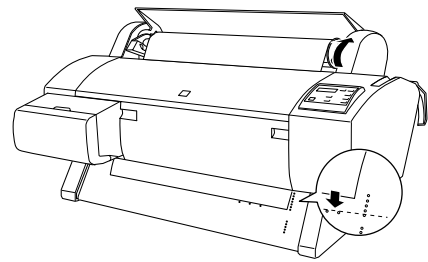
**Note:**

If the roll paper does not come out, follow the instructions below.

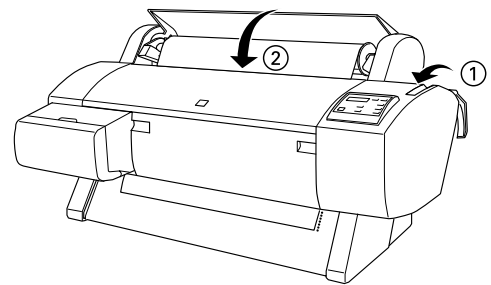
- Adjust the feed strength by pressing the Paper Feed buttons on the control panel. When using thick, heavy, or curled paper, press the Paper Feed (▲) button to increase the power. When using thin or light paper, press the Paper Feed (▼) button to decrease the power.



- If the paper does not come out even after executing the procedure above, open the front cover and pull the paper out manually.
- Holding the bottom edge of the paper, turn the roll paper to remove slack. Make sure that the bottom edge of the paper is straight, and that it is aligned with the rows of the holes.



- Set the paper lever to the secured position, and close the roll paper cover.



- Press the Pause button. The printer heads move and the paper automatically feeds into the printing position. READY appears on the LCD panel.

**Note:**

Even if you do not press the Pause button, the print heads move and paper feeds into the printing position automatically. READY appears on the LCD panel.

Now you are ready to print on roll paper. Make the printer driver settings, then send the print job.

**Note:**

- Allow time for the ink to dry thoroughly after printing to ensure the printout quality.
- If you do not use the paper set above, remove it from the printer. When you use roll paper, set the paper lever to the released position, and wind it up. When you use cut sheet, remove the paper from the printer and store it separately.

## Reusing the Packaging

If you need to transport your printer a long distance, the printer should be repacked using the original boxes and packing materials. Contact your dealer for assistance.

## Connecting the Printer

### For Windows

The method you use to connect the printer to your PC depends on how you want to send your print jobs. If you want to send them directly, use the printer's built-in parallel interface or the USB interface. If you want to send them over a network, use an optional interface card.

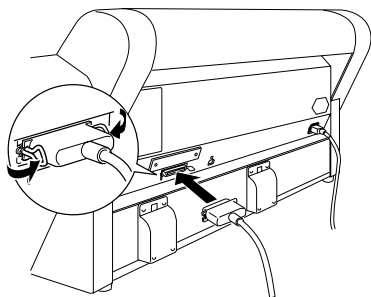
#### Using the built-in parallel interface

To use the printer's built-in parallel interface, you will need a shielded, twisted-pair cable. Then follow the steps below to connect the printer to your computer.

#### Note:

*Before you connect the parallel interface cable, disconnect the USB cable from the printer, if installed.*

1. Make sure both the printer and computer are turned off.
2. Plug the cable connector securely into the printer's interface. Then squeeze the wire clips together until they lock into place on both sides. If your cable has a ground wire, connect it to the ground connector below the interface connector.



3. Plug the other end of the cable into the computer's parallel port.

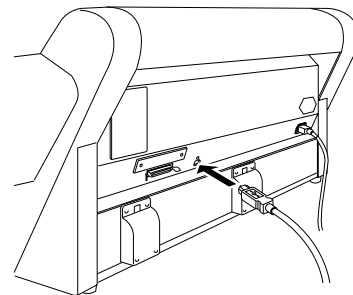
*Using a USB connection (For Windows Me, 98, XP, and 2000)*

To connect the printer to a USB port, you need a standard shielded USB cable. Follow the steps below to connect the printer to your computer.

#### Note:

*The EPSON Printer Port and DMA transfer features (For Windows Me, 98, and 95 only) of the EPSON printer driver you install are not available with USB connections. They are available only with the parallel interface connection. For information on the EPSON Printer Port and DMA transfer, see your Reference Guide in the User Guides.*

1. Make sure both the printer and computer are turned off.
2. Plug the appropriate end the cable into the USB port on the back of the printer. (The end that fits the printer has a different shape than the end that fits the computer.)



3. Connect the other end of the cable to the computer's USB port.

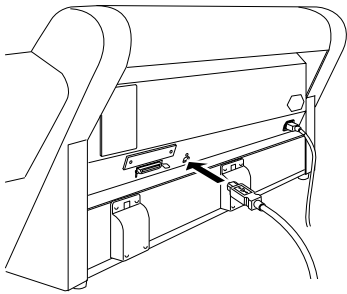
### For Macintosh

The method you use to connect the printer to your Macintosh depends on whether you want to send print jobs directly to the printer using the printer's built-in USB interface, or send print jobs to the printer over a network using an optional interface card.

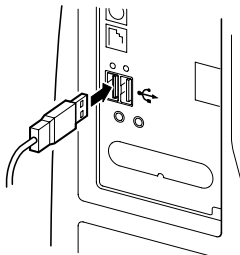
### Using the built-in USB interface

To use the printer's built-in USB interface, you will need a USB interface cable. Then follow the steps below to connect the printer to your computer.

1. Make sure both the printer and computer are turned off.
2. Plug the cable connector securely into the printer's USB port.



3. Plug the other end of the cable into the computer's USB port on the back of the Macintosh.



## Installing the Printer Software

### For Windows

After connecting the printer to your computer, you need to install the software included on the "Printer Software for EPSON STYLUS PRO 7600/9600" CD-ROM shipped with your printer.

#### Printer software components

Your printer software includes the following items:

- Printer driver and utilities

The printer driver runs, or "drives," your printer; use it to make settings such as print quality, speed, media type, and paper size. The Nozzle Check, Head Cleaning, and Print Head Alignment utilities help you keep your printer in top operating condition. EPSON Status Monitor 3 (for Windows) or EPSON StatusMonitor (for Macintosh) notifies you of printer errors and display printer status information such as the amount of ink remaining.

- Printer Status Page utility (for Windows 2000 only)

The Printer Status Page utility (for Windows 2000 only) enables you to monitor the printer status and network settings over the Internet when using the Windows 2000 Internet Printing feature. To use this utility, you must obtain an optional network interface. See your network manual for more information.

- User Guides

The online Reference Guide helps you learn more about your printer.

If you are using the floppy disk version of the software, make a backup copy of the EPSON printer software disk before you begin installation. If you wish to make a floppy disk version of the printer software on your CD-ROM, you can use the driver disk creation utility included on the CD-ROM.

#### Installing on Windows

Follow these steps to install your printer software:

#### Note:

*If you wish to make a floppy disk version of the printer software included on your CD-ROM, insert the printer software CD-ROM, then double-click Create Floppy based printer driver/utility disks and follow the on-screen instructions.*

1. Make sure that your printer is off.
2. Turn on your computer and start Windows. If the New Hardware Found screen or any other Wizard appears, click Cancel.
3. Insert the printer software CD-ROM shipped with your printer in the CD-ROM drive. The Installer dialog box appears.

- Choose your printer from the window, then click the right arrow.
- Click Install Software, then the right arrow.



- Click Install in the dialog box that appears to start the printer software installation.
- Follow the on-screen instruction.

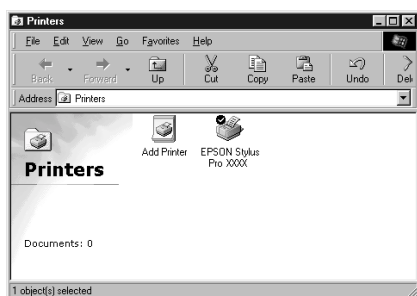
**Note:**

If an error message appears, either the printer driver or the EPSON USB printer device driver is not installed correctly. See "Troubleshooting" in the online Reference Guide.

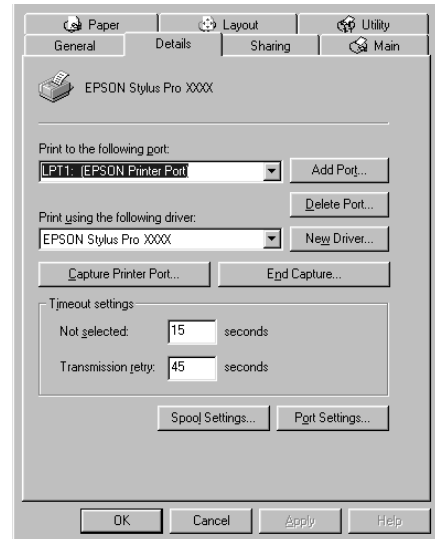
*Ensuring that the USB driver is installed correctly in Windows (for Windows Me, and 98 only)*

After the printer software installation is complete, confirm that the USB driver is installed correctly.

- Click the Start button, point to Settings, and click Printers. Make sure that the icon for your printer appears in the Printers window.
- Click the icon for your printer, then click Properties on the File menu.



- Click the Details tab and make sure that EPUSBx: (EPSON Stylus Pro 7600/9600) is displayed in the Print to the following port list box.



**Note:**

If the correct port is not displayed, refer to the "Troubleshooting" section of the online Reference Guide.

**For Macintosh**

After connecting the printer to your Macintosh, you are ready to install the printer software included in the "Printer Software for EPSON Stylus Pro 7600/9600" CD-ROM shipped with your printer.

*Printer software components*

Your printer software includes the following items.

EPSON Printer Driver Package

- SPro 7600/9600

This is the printer driver software that runs your printer. With it, you can make settings such as Media Type, Print Quality, and Paper Size.

- EPSON Monitor3

Monitors and manages background printing jobs. You must turn on background printing in the Chooser to use this utility.

- EPSON StatusMonitor

Keeps track of the current status of your printer, and alerts you when printer errors occur.

Nozzle Check

Checks for clogged nozzles.

Head Cleaning

Cleans the print heads to maintain the best print quality.

Print Head Alignment

Adjust the print heads so that vertical and horizontal lines are aligned.

Printer and Option Information

Enables you to make ON/OFF settings for the photo printing accelerator.

### Installing on Macintosh

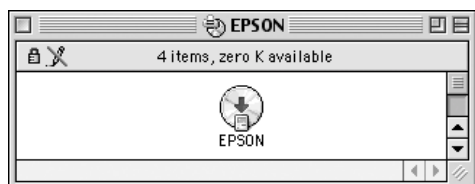
Follow these steps to install your printer software.



**Caution:**

*Turn off all virus protection programs before you install your printer software.*

1. Make sure that your printer is off.
2. Turn on your Macintosh, and insert the software CD-ROM shipped with your printer in the CD-ROM drive. The EPSON printer software disk opens automatically.
3. Double-click EPSON icon.



4. Choose your printer from the windows, then click the right arrow.

5. Click Install Software, then the right arrow.

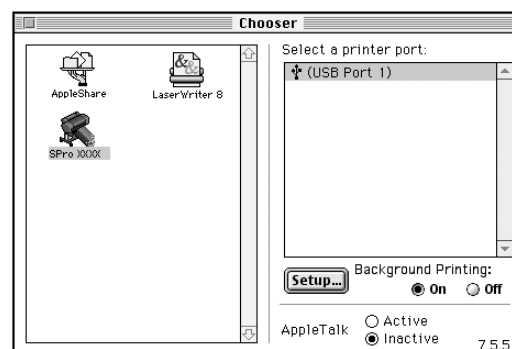


6. Click Install in the dialog box that appears to start the printer software installation.
7. Follow the on-screen instruction.

### Using the Chooser to select your printer

After you have installed the printer software on your Macintosh, you need to open the Chooser and select your printer. You must select a printer the first time you use it or whenever you want to switch to another printer. Your Macintosh will always print using the last printer selected.

1. Select Chooser from the Apple menu. Then click your printer's icon and the port your printer is connected to.



2. Select the appropriate Background Printing radio button to turn background printing on or off.

With background printing on, you can use your Macintosh while it is preparing a document for printing. In order to use the EPSON Monitor3 utility to manage print jobs, background printing must be turned on.

3. Close the Chooser.
4. Check the label on the back of the printer to make sure the voltage required by the printer matches that of the electrical outlet you are using.

---

## ***Using the User Guides***

---

### ***What to do next***

After completing the hardware setup and the driver installation, see the Reference Guide for detailed information about your printer's functions, maintenance, troubleshooting, technical specifications and optional products.

### ***Using the User Guides***

It contains detailed instructions on how to use the printer, and information on using optional products. You can view this guide directly from the CD-ROM, or install it into your computer and view it from your hard disk.

***Note:***

*Microsoft Internet Explorer 4.0 or later, or Netscape Navigator 4.0 or later, must be installed in your computer to read the online guide.*



**EPSON**