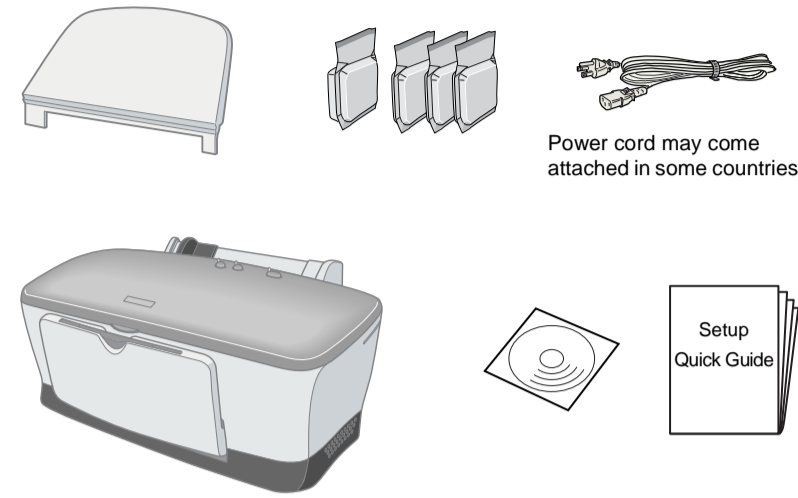


Setting Up the Printer Hardware

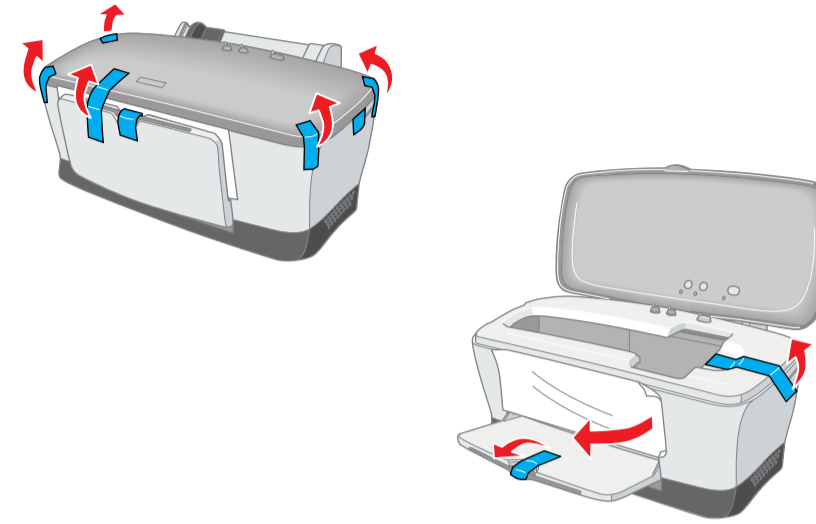
1. Unpack



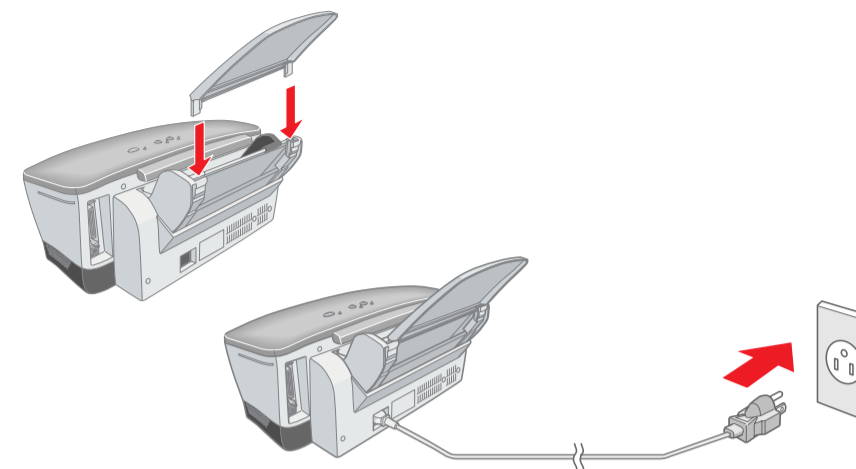
Power cord may come attached in some countries.

The contents may vary in certain locations.

2. Remove protective materials



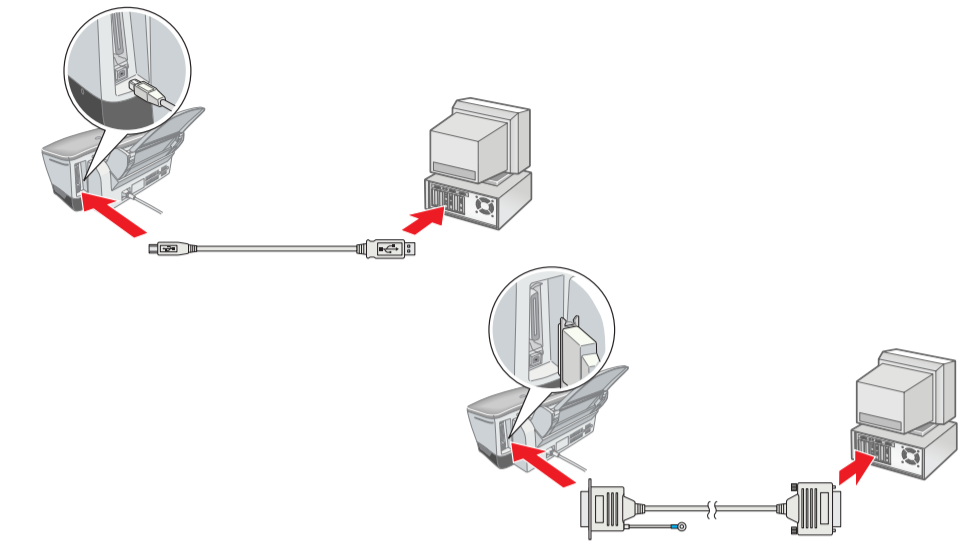
3. Attach the printer parts



Caution: If the printer comes on when you plug in the power cord, turn off the printer by pressing down the \odot power button until the printer lights go out.

4. Connect the printer

Connect the printer cable to the ports on the computer and the printer.



Installing the Printer Software and the Ink Cartridges

For Windows

- Make sure that printer is off, then turn on your computer.
- Insert the printer software CD in the CD-ROM drive. If the Installer dialog box does not appear, double-click **SETUP.EXE** in the CD-ROM.
- Select **Install Printer Driver/Utility**, and click **Next**.
- Click **OK** in the dialog box that appears.
- When a message appears prompting you to turn on the printer, press the \odot power button. The print head moves to the ink cartridge installation position and the Setup utility starts automatically.



Caution: Do not move the print head by hand, as this may damage the printer.

- Follow the Setup utility's on-screen instructions to install the ink cartridges.
- Note:** If the Setup utility does not start, follow the instructions of this sheet, beginning from "Install the ink cartridges."

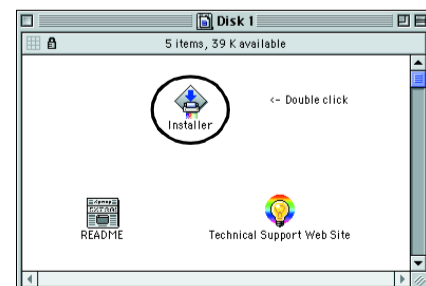
When ink cartridge installation is complete, proceed to "Load paper and check the print head nozzles" on this sheet.

For Macintosh

1. Install the printer software

Caution: Turn off all virus protection programs before you install the printer software.

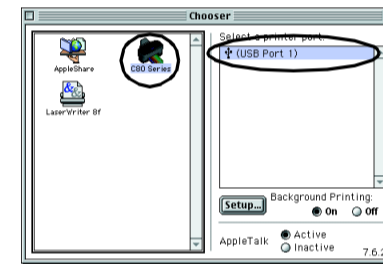
- Make sure that printer is off, then turn on your Macintosh and insert the printer software CD in the CD-ROM drive.
- Double-click the **Install Software** folder, then double-click the **Installer** icon inside it.
- Click **Continue**.
- After accepting the license agreement, Installer appears.
- Make sure that the Install Location box displays the correct drive, then click **Install**.
- Follow the on-screen instructions to install the printer software.



2. Select the printer

After you have installed the printer software, you need to select your printer.

- Press the \odot power button to turn on the printer. The print head moves to the ink cartridge installation position.
- Choose **Chooser** from the Apple menu. Then, select the icon for your printer and the port that your printer is connected to.
- Close the Chooser.



For DOS Programs

Most DOS software programs include a list of drivers including one for EPSON ESC/P 2™ Printers. In order to install the appropriate printer driver and enable your printer's advanced, built-in, scalable fonts and graphics handling, you must select the EPSON ESC/P 2™ printer from the list.

If your printer is not included in the list, contact your software manufacturer to obtain an updated version of the software.

If the manufacturer does not have an updated printer driver for your printer, select an alternative printer from those listed below, choosing the printers listed at the top first.

When printing in black only:
LQ-870/1170
LQ-570 (+)/1070(+)
SQ-870/1070
LQ-850
LQ-500

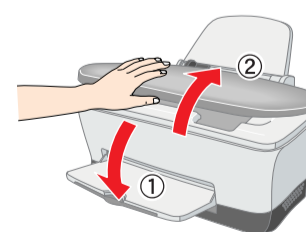
Note: The drivers for the printers listed above do not allow access to all of the features offered by the EPSON STYLUS C80, such as 720-dpi printing and 1440-dpi printing.

DOS software varies greatly. See the printing section of your software manual for information on accessing the printer driver settings.

Install the ink cartridges

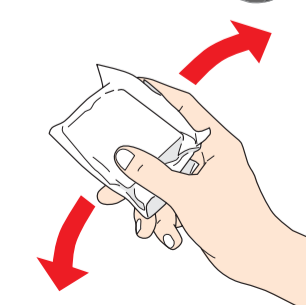
- Lower the output tray, then open the printer cover.

Caution: Do not move the print head by hand, as this may damage the printer.



Note: For best results, shake the ink cartridge four or five times before opening the package.

- Remove the new ink cartridges from their protective bag.



Warnings, Cautions, and Notes

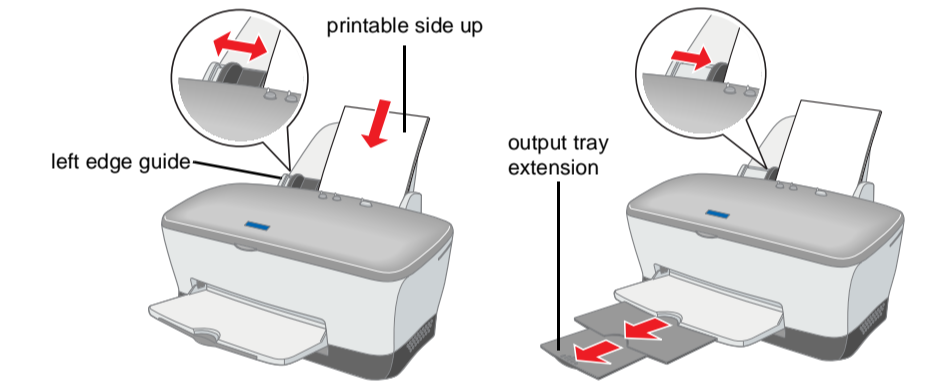
Warnings must be followed carefully to avoid bodily injury.

Cautions must be observed to avoid damage to your equipment.

Notes contain important information and useful tips on the operation of your printer.

Load paper and check the print head nozzles

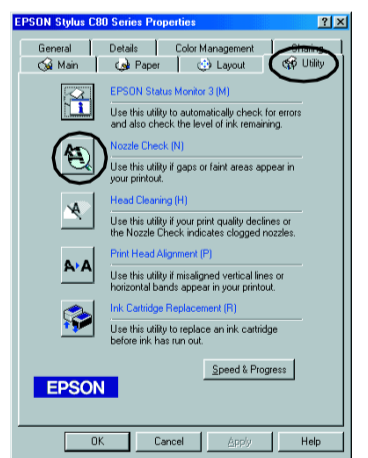
Make sure that the computer is turned on. Load paper into the sheet feeder making sure that the side of the paper that you wish to print onto is facing up and that the right edge of the paper is against the right edge guide. Next, slide the left edge guide so that it is against the left edge of the paper.



Once paper is loaded, follow these steps to check the print head nozzles.

For Windows users

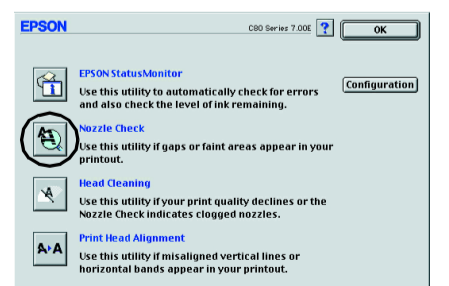
- Click the **Start** button, point to **Settings**, and click **Printers**.
- Select the icon for your printer, then click **Properties** on the File menu. Then click the **Utility** tab.
- Click the **Nozzle Check** button, and follow the on-screen instructions.
- When you are finished, click **OK** to close the Properties dialog box.



Your printer is now set up and ready to use.

For Macintosh users

- Select **Page Setup** in the Finder's File menu.
- Click the **Utility** icon.
- Click the **Nozzle Check** button, and follow the on-screen instructions.
- When you are finished, click **OK** to close the utility dialog box. Then click **OK** to close the Page Setup dialog box.



Your printer is now set up and ready to use.