

## E0C33 Family VOX33 Middleware

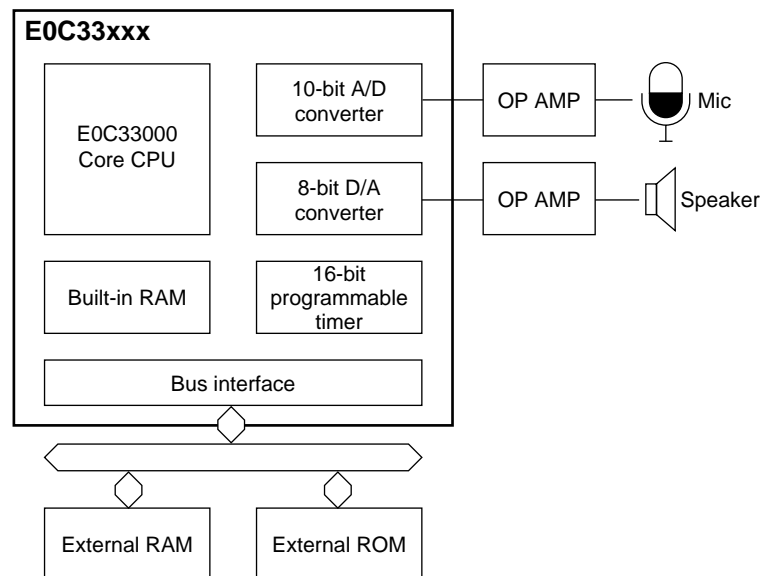
### Voice compression and decompression middleware

- Voice compression and decompression middleware for the E0C33 Family
- Voice compression, decompression, and speed and pitch change supported
- Real-time execution in an E0C33 chip

#### ■ FEATURES

- Voice middleware for the E0C33 Family is provided in the form of a linkable library in a 3.5-inch FD.
- Compression, decompression, a speaking part with D/A and a listening part with A/D are included in the library.
- Seiko Epson exclusive voice compression technology VOX provides voice compression and decompression with a high compression ratio. (An 8MHz sampled voice can be compressed to 8kbps standard to max 2kbps and various compression ratios can be selected.)
- With voice processing technology VSC, the voice speed can be changed from x2 to x1/4, and the voice pitch can be changed from x2 (high) to x1/3 (low).
- Supports PCM and ADPCM (40kbps, 32kbps, 24kbps, 16kbps).
- Suitable for voice memos, data banks with voice, PDA with voice, digital stationery with voice and digital toys with voice.

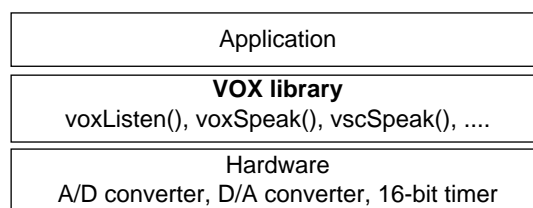
#### ■ HARDWARE CONFIGURATION



#### ■ SOFTWARE CONFIGURATION

##### ● VOX Library

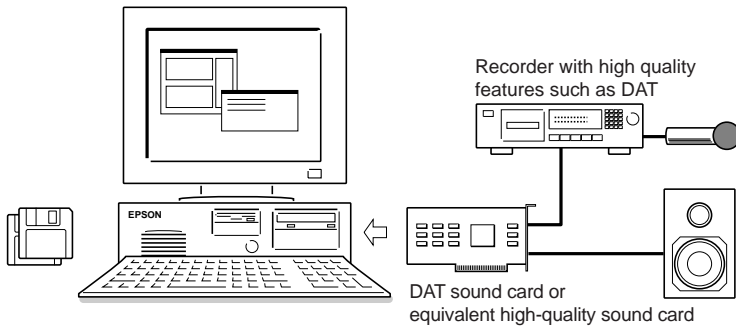
Libraries with voice subroutines that are called from the user's application.



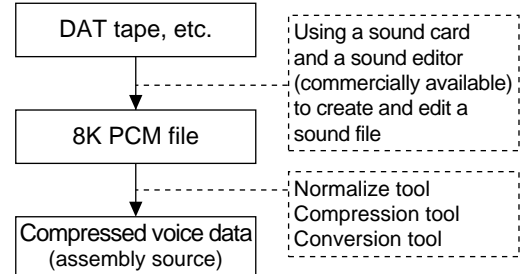
# E0C33 Family VOX33 Middleware

## ● VOX Tool

This tool creates compressed voice ROM data for replay only.  
It can be used with Windows95/NT4.0.

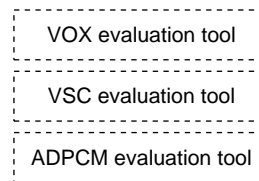
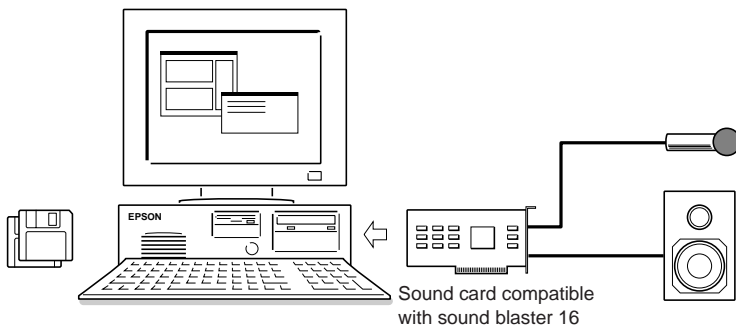


## Flow in PC (Example)



## ● VOX Evaluation Tool

This is an evaluation tool for VOX and VSC technology using a sound board on a PC.  
It can be used with Windows95/NT4.0.



\* This middleware is only available with the IC (E0C33 Family).  
This specification may change without notice.

## NOTICE:

No part of this material may be reproduced or duplicated in any form or by any means without the written permission of Seiko Epson. Seiko Epson reserves the right to make changes to this material without notice. Seiko Epson does not assume any liability of any kind arising out of any inaccuracies contained in this material or due to its application or use in any product or circuit and, further, there is no representation that this material is applicable to products requiring high level reliability, such as, medical products. Moreover, no license to any intellectual property rights is granted by implication or otherwise, and there is no representation or warranty that anything made in accordance with this material will be free from any patent or copyright infringement of a third party. This material or portions thereof may contain technology or the subject relating to strategic products under the control of the Foreign Exchange and Foreign Trade Law of Japan and may require an export license from the Ministry of International Trade and Industry or other approval from another government agency.

© Seiko Epson Corporation 2000 All right reserved.

**SEIKO EPSON CORPORATION**  
ELECTRONIC DEVICES MARKETING DIVISION  
IC Marketing & Engineering Group

**ED International Marketing Department I (Europe & U.S.A.)**  
421-8, Hino, Hino-shi, Tokyo 191-8501, JAPAN  
Phone : 042-587-5812 FAX : 042-587-5564

**ED International Marketing Department II (Asia)**  
421-8, Hino, Hino-shi, Tokyo 191-8501, JAPAN  
Phone : 042-587-5814 FAX : 042-587-5110

■ EPSON Electronic Devices Website

<http://www.epson.co.jp/device/>

