

E0C33 Family VRE33 Middleware

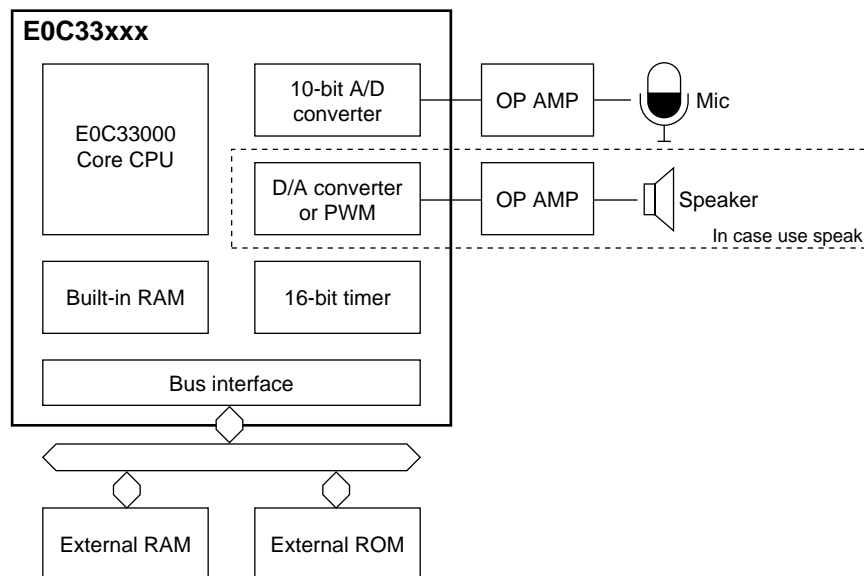
Voice recognition engine middleware

- Speech recognition middleware for the E0C33 Family
- Real-time execution in an E0C33 chip
- PC tools for making speech recognition ROM data

■ FEATURES

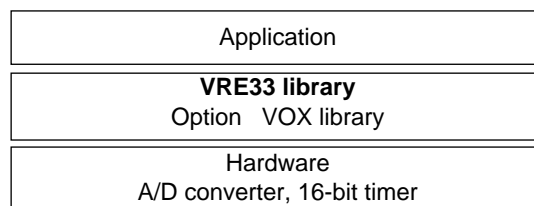
- Speech recognition middleware for the E0C33 Family is provided in the form of a linkable library.
- The speech recognition engine and a listening routines using an A/D converter are included in the library. Data decompression and speaking routines with a D/A converter or PWM can be implemented using the VOX33 library.
- Using the Seiko Epson exclusive isolated word recognition technology, 20 to 100 words can be recognized in real-time.
- 2 types of recognition methods are available; Speaker Independent Recognition for which data is created on a PC, and Speaker Dependent Recognition that allows direct word-registration on products.
- PC tools for evaluating the speech recognition engine are provided.
- Evaluation boards (DMT33004, DMT33005, DMT33AMP, DMT33MON) are provided.
- Suitable for PDAs, digital stationeries and digital toys.

■ HARDWARE CONFIGURATION



■ SOFTWARE CONFIGURATION

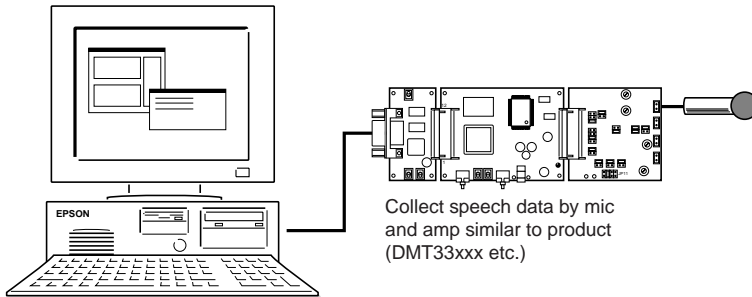
- VRE Library



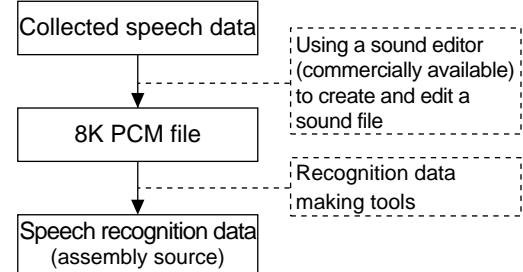
E0C33 Family VRE33 Middleware

● VRE Tool

This tool creates speech recognition ROM data. It can be used with Windows95/98/NT4.0.

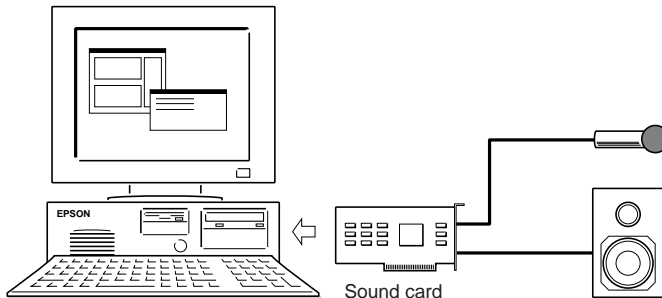


Flow in PC (Example)



● VRE Evaluation Tool

This is an evaluation tool for the VRE33 recognition engine using the sound board on a PC. It can be used with Windows95/98/NT4.0 with GUI.



VRE evaluation tool

* This middleware is only available with the IC (E0C33 Family).
This specification may change without notice.

NOTICE:

No part of this material may be reproduced or duplicated in any form or by any means without the written permission of Seiko Epson. Seiko Epson reserves the right to make changes to this material without notice. Seiko Epson does not assume any liability of any kind arising out of any inaccuracies contained in this material or due to its application or use in any product or circuit and, further, there is no representation that this material is applicable to products requiring high level reliability, such as, medical products. Moreover, no license to any intellectual property rights is granted by implication or otherwise, and there is no representation or warranty that anything made in accordance with this material will be free from any patent or copyright infringement of a third party. This material or portions thereof may contain technology or the subject relating to strategic products under the control of the Foreign Exchange and Foreign Trade Law of Japan and may require an export license from the Ministry of International Trade and Industry or other approval from another government agency.

© Seiko Epson Corporation 2000 All right reserved.

SEIKO EPSON CORPORATION
ELECTRONIC DEVICES MARKETING DIVISION
IC Marketing & Engineering Group

ED International Marketing Department I (Europe & U.S.A.)
421-8, Hino, Hino-shi, Tokyo 191-8501, JAPAN
Phone : 042-587-5812 FAX : 042-587-5564

ED International Marketing Department II (Asia)
421-8, Hino, Hino-shi, Tokyo 191-8501, JAPAN
Phone : 042-587-5814 FAX : 042-587-5110

■ EPSON Electronic Devices Website

<http://www.epson.co.jp/device/>

