

E0C63P366

4-bit Single Chip Microcomputer

- Function Evaluation Flash built-in
- Compatible with E0C63358 and 158
- On-board writing supported

■ DESCRIPTION

The E0C63P366 is a CMOS 4-bit microcomputer composed of a 4-bit CMOS core CPU, rewritable ROM (Flash), RAM, segment LCD driver, serial interface and timers. The E0C63P366 has a built-in large-capacity Flash ROM (16K × 13 bits) and a RAM (2,048 × 4 bits), and is upper compatible with the E0C63358 and E0C63158. The E0C63P366 can be used as a MTP (Multi-Time Programming) when developing programs.

■ FEATURES

- CMOS LSI 4-bit parallel processing E0C63000 core CPU
- OSC1 oscillation circuit 32.768kHz (Typ.) crystal oscillation
- OSC3 oscillation circuit 1.8MHz (Typ.) CR oscillation / 4MHz (Max.) ceramic oscillation (*1)
- Instruction set Basic instruction : 46 types (411 instructions with all)
Addressing mode : 8 types
- Instruction execution time During operation at 32.768kHz : 61μsec (Min.)
During operation at 4MHz : 0.5μsec (Min.)
- ROM (Flash) capacity Code ROM : 16,384 words × 13 bits
Segment option ROM : 2,048 words × 4 bits
Programming method : Parallel and serial programming
- RAM capacity Data memory : 2,048 words × 4 bits
Display memory : 32 words × 4 bits
- Input port 9 bits 8 bits (with pull-up resistors)
1 bit (for key position sensing interrupt by A/D)
- Output port 12 bits (2 special outputs are available *2)
- I/O port 20 bits (4 serial inputs/outputs are available *2)
(4 A/D inputs are available *2)
- Serial interface 1 port (8-bit clock synchronous system)
- LCD driver 32 segments × 4 / 3 / 2 commons (*2), 1/3 bias drive
- Time base counter 1 line (Clock timer)
- Programmable timer Built-in (8 bits × 2 ch. or 16 bits × 1 ch.)
- Watchdog timer Built-in
- A/D converter 8-bit resolution
Maximum error : ±3LSB, A/D clock : OSC1, OSC3 (2.7V to 5.5V)
- Buzzer output Buzzer frequency : 2kHz or 4kHz (*2), 2Hz interval output (*2)
- Supply voltage detection (SVD) circuit .. 2.7V or 2.8V (*2)
- Interrupts External : Input port interrupt 2 lines
Key sensing interrupt 1 line
Internal : Clock timer interrupt 4 lines
Programmable timer interrupt 2 lines
Serial interface interrupt 1 line
A/D converter interrupt 1 line

E0C63P366

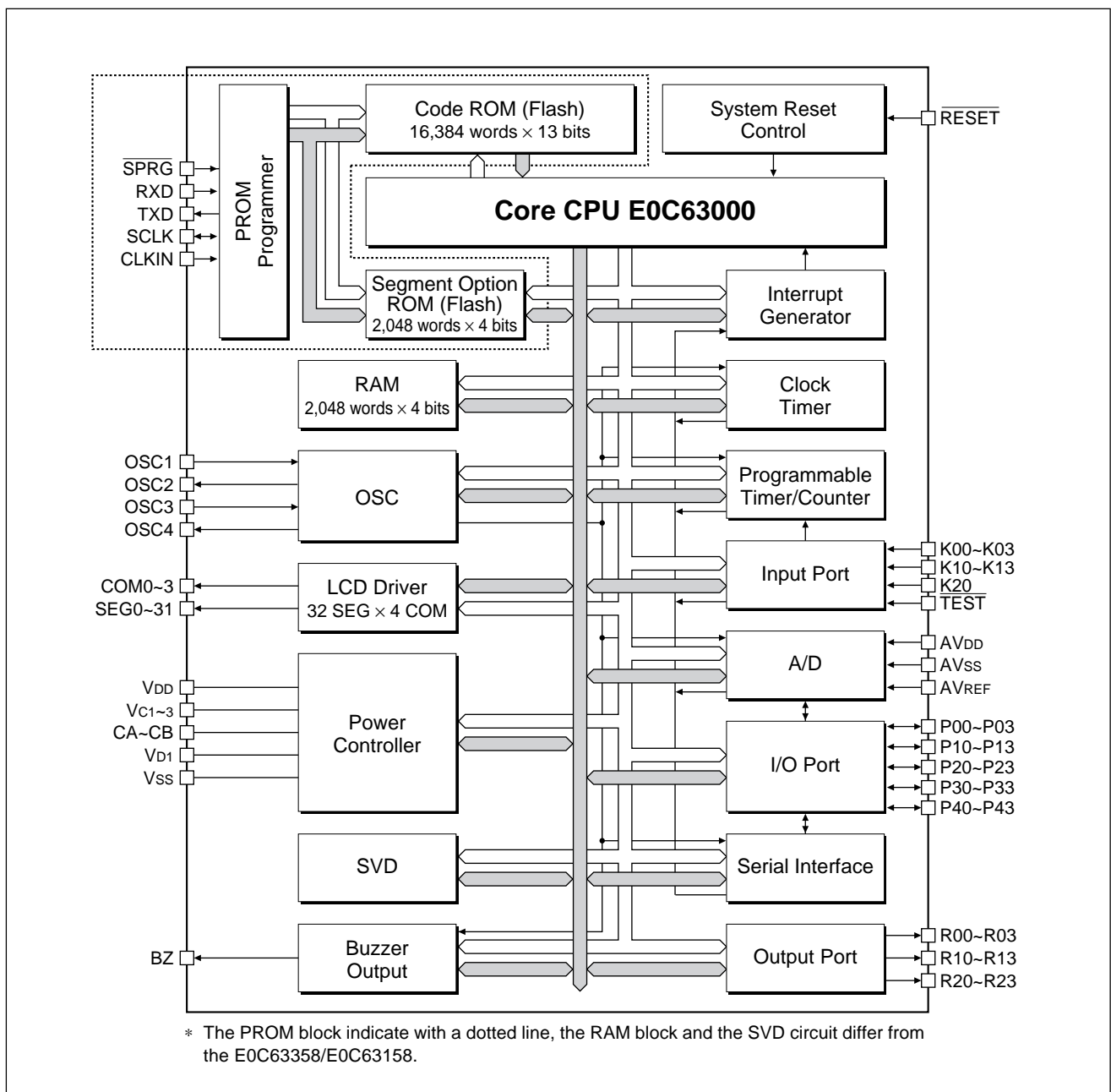
- Supply voltage 2.7 to 5.5V
- Operating temperature -20 to 70°C
- Current consumption (Typ.) Single clock

HALT mode (32kHz)	3V (LCD power OFF)	2.5μA
	3V (LCD power ON)	37μA
OPERATING mode (32kHz)	3V (LCD power ON)	120μA

 Twin clock

OPERATING mode (4MHz)	3V (LCD power ON)	800μA
-----------------------	-------------------	-------
- Package QFP15-100pin or die form
 - *1: Can be selected with mask option
 - *2: Can be selected with software

■ BLOCK DIAGRAM

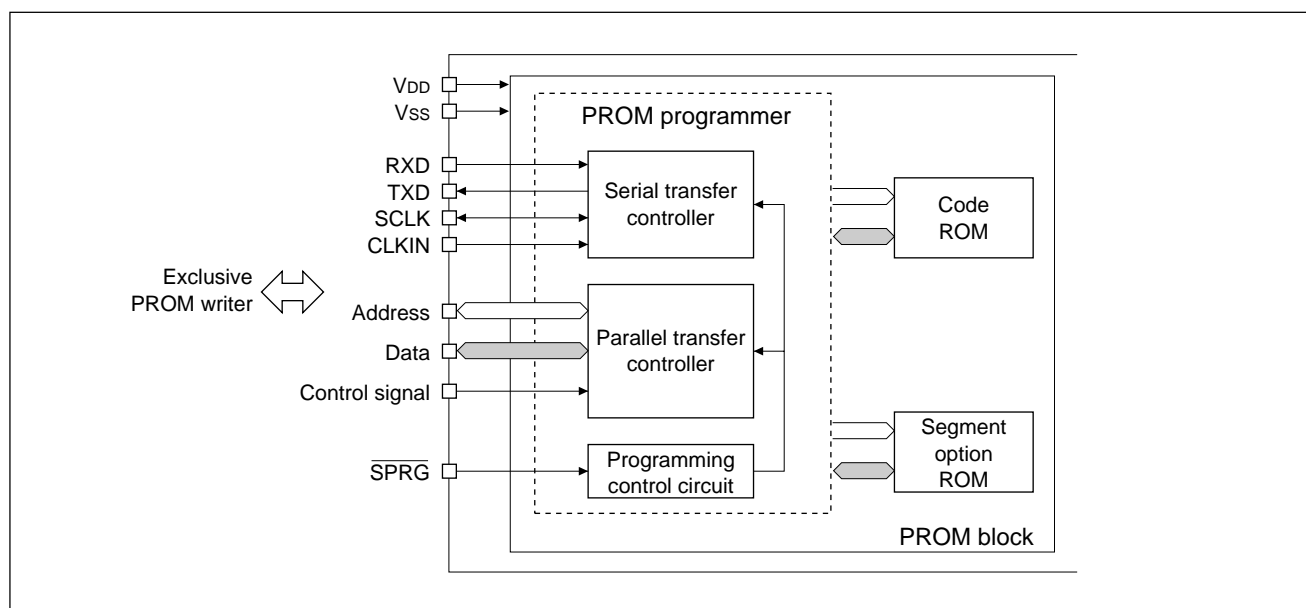


■ PROM PROGRAMMING AND OPERATING MODE

The E0C63P366 has built-in Flash EEPROMs as the code ROM and the segment option ROM that allow the developer to program the ROM data using the exclusive PROM writer (UNIVERSAL ROM WRITER II). To create data to be written to the code ROM, use the E0C63 assembler similar to the E0C63358/E0C63158. To create data to be written to the segment option ROM use the segment option generator SOG63358 similar to the E0C63358. Refer to "E0C63358 Development Tool Manual", for the SOG63358. This section explains the PROM programmer that controls data writing and the writing mode.

● Configuration of PROM Programmer

The configuration of the PROM programmer is shown below.



The PROM programmer supports the following two writing modes.

1) Serial Programming

2) Parallel Programming

Serial Programming mode uses the serial communication ports of the PROM writer and E0C63P366 to write data. This mode enables on-board programming by designing the target board with a serial writing function. In Parallel Programming mode, the on-chip Flash ROM can be directly programmed using the exclusive PROM writer with the adaptor socket installed. Refer to "Operating Mode" for each programming method.

Terminals

The E0C63P366 provides the following terminals for programming the Flash EEPROM.

$\overline{\text{SPRG}}$	Flash programming control terminal (pull-up resistor built-in) When set to High Normal operation mode (The CPU executes the program in the Flash EEPROM.) When set to Low Programming mode (for writing data to the Flash EEPROM)
SCLK	Serial transfer clock input/output terminal for Serial Programming (pull-up resistor built-in)
RXD	Serial data input terminal for Serial Programming (pull-up resistor built-in)
TXD	Serial data output terminal for Serial Programming
CLKIN	PROM programmer clock input terminal (1MHz; pull-up resistor built-in)

The five terminals above are provided exclusively for the Flash EEPROM. The E0C63358 and E0C63158 do not have these terminals.

E0C63P366

● Operating Mode

Three operating modes are available in the E0C63P366: one is for normal operation and the others are for programming.

The operating mode is decided by the terminal settings at power-on or initial reset.

When the $\overline{\text{SPRG}}$ terminal is set to Low, the E0C63P366 enters Serial Programming mode. To operate the E0C63P366 in Normal Operation mode (to execute the instruction written to the Flash EEPROM after programming), the $\overline{\text{SPRG}}$ terminal should be set to High or open.

The parallel programming including the mode switching and terminal settings is controlled by the exclusive PROM writer.

The following table lists the operating modes.

Operating mode	$\overline{\text{SPRG}}$ terminal
Normal Operation mode	High or open
Serial Programming mode	Low
Parallel Programming mode	Set by the PROM writer

Normal Operation Mode

In this mode, the E0C63000 core CPU and the peripheral circuits operate by the instructions programmed in the Flash EEPROM. The Flash EEPROM bit data is set to "1" at shipment.

In Normal Operation mode, set the terminals for programming the Flash EEPROM as below. The board must be designed so that the terminal settings cannot be changed while the IC is operating.

Terminal	Set-up
SPRG	High (external switch)
SCLK	High or open
RXD	High or open
TXD	Open
CLKIN	High or open

Serial Programming Mode

Serial Programming mode writes data to the Flash EEPROM using a serial communication between the exclusive PROM writer (UNIVERSAL ROM WRITER II) and the E0C63P366. By providing a serial communication port on the target board, the E0C63P366 on the board can be programmed (on-board writing).

Terminal	Set-up
SPRG	Low (external switch)
SCLK	Connected to the PROM writer
RXD	Connected to the PROM writer
TXD	Connected to the PROM writer
CLKIN	Connected to the PROM writer
Vss	Connected to the PROM writer
RESET	Connected to an external switch

When the $\overline{\text{SPRG}}$ terminal is set to Low, the E0C63P366 starts operating in Serial Programming mode after power-on or an initial reset.

Be sure not to change the $\overline{\text{SPRG}}$ terminal status during normal operation or serial programming, because the operating mode may change according to the terminal status.

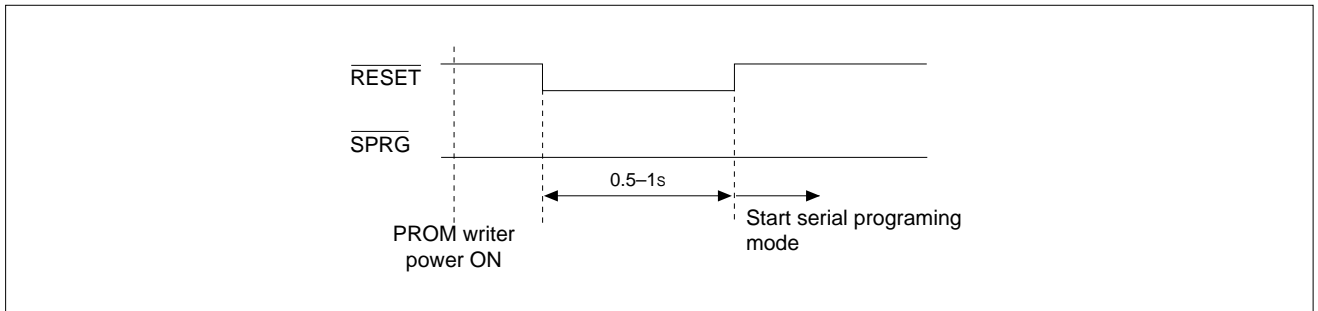
The $\overline{\text{SPRG}}$ terminal must be switched while the $\overline{\text{RESET}}$ terminal is set to Low.

The serial programming is performed using the 1MHz clock supplied from the PROM writer to the CLKIN terminal. Take noise measure into consideration so that noise does not affect the clock line input to the CLKIN terminal when designing the target board.

The PROM writer does not supply the source voltage to the E0C63P366 during serial programming. Therefore, supply a 5V source voltage between the V_{DD} and V_{SS} terminals of the E0C63P366 in order to operate the OSC1 oscillation circuit.

Furthermore, to start a serial programming, an initial reset to the E0C63P366 is required. Use the $\overline{\text{RESET}}$ terminal to reset the E0C63P366 securely after turning the PROM writer on.

The following shows the timing chart to start serial programming mode.



Parallel Programming Mode

The parallel programming can be performed by installing the E0C63P366 to the exclusive PROM writer via the adaptor socket. In this mode, it is not necessary to set up the programming terminals since it is controlled by the exclusive PROM writer.

E0C63P366

■ DIFFERENCES FROM THE MASK ROM MODELS

This section explains the differences in functions (except for the Flash EEPROM block) between the E0C63P366 and the mask ROM models (E0C63358 and E0C63158).

● Mask Option

The mask option items are fixed in the E0C63P366 as shown in the table below.

Mask option		Setting 1	Setting 2
OSC1 oscillation circuit		Crystal (32.768 kHz)	Crystal (32.768 kHz)
OSC3 oscillation circuit		Ceramic	CR
Multiple key reset combination		Not used	Not used
Multiple key reset time authorize		Not used	Not used
Input port pull-up resistors	K00	With pull-up resistor	With pull-up resistor
	K01	With pull-up resistor	With pull-up resistor
	K02	With pull-up resistor	With pull-up resistor
	K03	With pull-up resistor	With pull-up resistor
	K10	With pull-up resistor	With pull-up resistor
	K11	With pull-up resistor	With pull-up resistor
	K12	With pull-up resistor	With pull-up resistor
	K13	With pull-up resistor	With pull-up resistor
	K20	With pull-up resistor	With pull-up resistor
Output port output specifications	R10–R13	Complementary output	Complementary output
	R20–R23	Complementary output	Complementary output
I/O port output specifications	P10–P13	Complementary output	Complementary output
	P20	Complementary output	Complementary output
	P21	Complementary output	Complementary output
	P22	Complementary output	Complementary output
	P23	Complementary output	Complementary output
	P30	Complementary output	Complementary output
	P31	Complementary output	Complementary output
	P32	Complementary output	Complementary output
	P33	Complementary output	Complementary output
	P40	Complementary output	Complementary output
	P41	Complementary output	Complementary output
	P42	Complementary output	Complementary output
	P43	Complementary output	Complementary output
	I/O port pull-up resistors	P10–P13	With pull-up resistor
P20		With pull-up resistor	With pull-up resistor
P21		With pull-up resistor	With pull-up resistor
P22		With pull-up resistor	With pull-up resistor
P23		With pull-up resistor	With pull-up resistor
P30		With pull-up resistor	With pull-up resistor
P31		With pull-up resistor	With pull-up resistor
P32		With pull-up resistor	With pull-up resistor
P33		With pull-up resistor	With pull-up resistor
P40		No pull-up resistor	No pull-up resistor
P41		No pull-up resistor	No pull-up resistor
P42		No pull-up resistor	No pull-up resistor
P43		No pull-up resistor	No pull-up resistor
LCD drive bias		1/3 bias (internal)	1/3 bias (internal)
Serial interface signal polarity		Negative polarity	Negative polarity
Buzzer output specification		Positive polarity	Positive polarity

● Power Supply

Since the E0C63P366 is produced using the Flash EEPROM process, the characteristics are different from those of the mask ROM models.

1) Operating voltage range

E0C63P366: 2.7 to 5.5V

E0C63358: 2.3 to 3.6V (Min. 0.9V when the OSC3 is not used)

E0C63158: 2.3 to 3.6V (Min. 0.9V when the OSC3 is not used)

The circuit blocks of the E0C63P366 except for the oscillation circuit and LCD driver (CPU, ROM, RAM and peripheral digital circuits) operate with the source voltage supplied between the V_{DD} and V_{SS} terminals. Therefore, the VDC register (I/O memory address: FF00H, data bit: D0) is invalidated and is used as a general-purpose register. Writing "1" or "0" to this register does not affect the V_{D1} output voltage level.

E0C63158

Address	Register				Name	Init	1	0	Comment
	D3	D2	D1	D0					
FF00H	CLKCHG	OSCC	0	VDC	CLKCHG	0	OSC3	OSC1	CPU clock switch
					OSCC	0	On	Off	OSC3 oscillation On/Off
					0	-			Unused
		R/W	R	R/W	VDC	0	2.1 V	1.3 V	CPU operating voltage switch (1.3 V: OSC1, 2.1 V: OSC3)

E0C63358

Address	Register				Name	Init	1	0	Comment
	D3	D2	D1	D0					
FF00H	CLKCHG	OSCC	0	VDC	CLKCHG	0	OSC3	OSC1	CPU clock switch
					OSCC	0	On	Off	OSC3 oscillation On/Off
					0	-			Unused
		R/W	R	R/W	VDC	0	2.25 V	1.35 V	CPU operating voltage switch (1.35 V: OSC1, 2.25 V: OSC3)

E0C63P366

Address	Register				Name	Init	1	0	Comment
	D3	D2	D1	D0					
FF00H	CLKCHG	OSCC	0	VDC	CLKCHG	0	OSC3	OSC1	CPU clock switch
					OSCC	0	On	Off	OSC3 oscillation On/Off
					0	-			Unused
		R/W	R	R/W	VDC	0	1	0	General-purpose register

* In the E0C63P366, the V_{D1} level is fixed at 2.05V regard less of the VDC register value.

2) Operating mode of oscillation system voltage regulator

The operating mode range of the E0C63P366 is different from that of the E0C63358 and E0C63158 because the operable voltage range is different.

E0C63158

Power supply circuit	Operating condition	V _{D1} (V)	Supply voltage V _{DD} (V)			
			0.9–1.35	1.35–2.2	2.2–3.6	3.6–5.5
Oscillation system voltage regulator	OSC1	1.3	V _{c2} mode	Normal mode		Not allowed
	OSC3 (2 MHz)	2.1	Not allowed		Normal mode	Not allowed

E0C63358

Power supply circuit	Operating condition	V _{D1} (V)	Supply voltage V _{DD} (V)			
			0.9–1.4	1.4–2.3	2.3–3.6	3.6–5.5
Oscillation system voltage regulator	OSC1	1.3	V _{c2} mode	Normal mode		Not allowed
	OSC3 (4 MHz)	2.25	Not allowed		Normal mode	Not allowed

E0C63P366

Power supply circuit	Operating condition	V _{D1} (V)	Supply voltage V _{DD} (V)			
			0.9–1.4	1.4–2.7	2.7–3.6	3.6–5.5
Oscillation system voltage regulator	OSC1	2.05	Not allowed		Normal mode	
	OSC3 (4 MHz)	V _{DD}	Not allowed		Normal mode	

* The E0C63P366 does not enter the V_{c2} mode.

The internal circuits of the E0C63358 and E0C63158 operate with the oscillation system regulated voltage (V_{D1}). The E0C63P366 internal circuits operate with the supply voltage (V_{DD}).

E0C63P366

3) Power supply terminal for the oscillation circuit (V_{D1})

The V_{D1} voltage that is generated by the internal voltage regulator is used only for the OSC1 oscillation circuit to stabilize the oscillation. As explained in Item 1 above, the VDC register (FF00H•D0) does not affect the V_{D1} output voltage.

4) Operating mode of LCD system voltage regulator

The operable voltage range is different.

E0C63358: V_{DD} = 0.9V to 1.4V V_{C1} = V_{DD}
 V_{DD} = 1.4V to 3.6V V_{C1} = 1.05V (Typ.)
 E0C63P366: V_{DD} = 2.7V to 5.5V V_{C2} = 2.10V (Typ.)

* The E0C63P366 operation is guaranteed within the above voltage range.

5) Operating mode of A/D converter power supply

The A/D converter operating mode range of the E0C63P366 is different from that of the E0C63358 and E0C63158 because the operable voltage range is different.

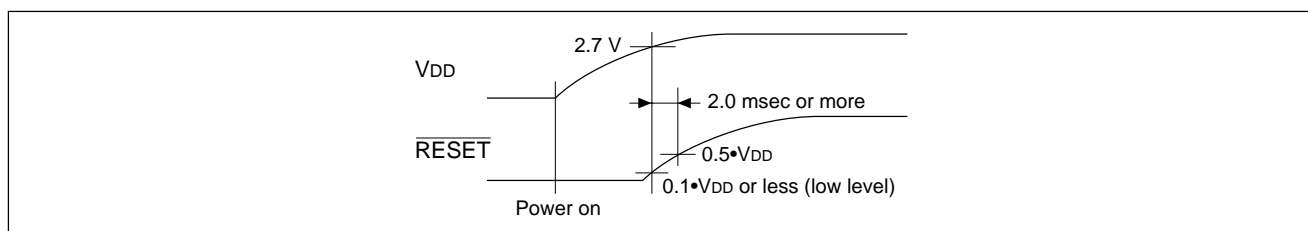
E0C63158			
Circuit	Supply voltage V _{DD} (V)		
	0.9–2.2	2.2–3.6	3.6–5.5
A/D converter	V _{C2} mode	Normal mode	Not allowed

E0C63358			
Circuit	Supply voltage V _{DD} (V)		
	0.9–1.6	1.6–3.6	3.6–5.5
A/D converter	V _{C2} mode	Normal mode	Not allowed

E0C63P366			
Circuit	Supply voltage V _{DD} (V)		
	0.9–2.7	2.7–3.6	3.6–5.5
A/D converter	Not allowed	Normal mode	

● Initial Reset

When the power is turned on, the reset terminal must be set at Low level until the supply voltage becomes 2.7V or more.



E0C63P366 uses the initial reset signal as a trigger for setting either the normal operation mode or the programming mode. Therefore, design the reset input circuit so that the IC will be reset for sure. Initial resetting during operation is the same as the E0C63158.

When resetting the IC in the normal operation mode, make sure to fix the $\overline{\text{SPRG}}$ terminal at High level.

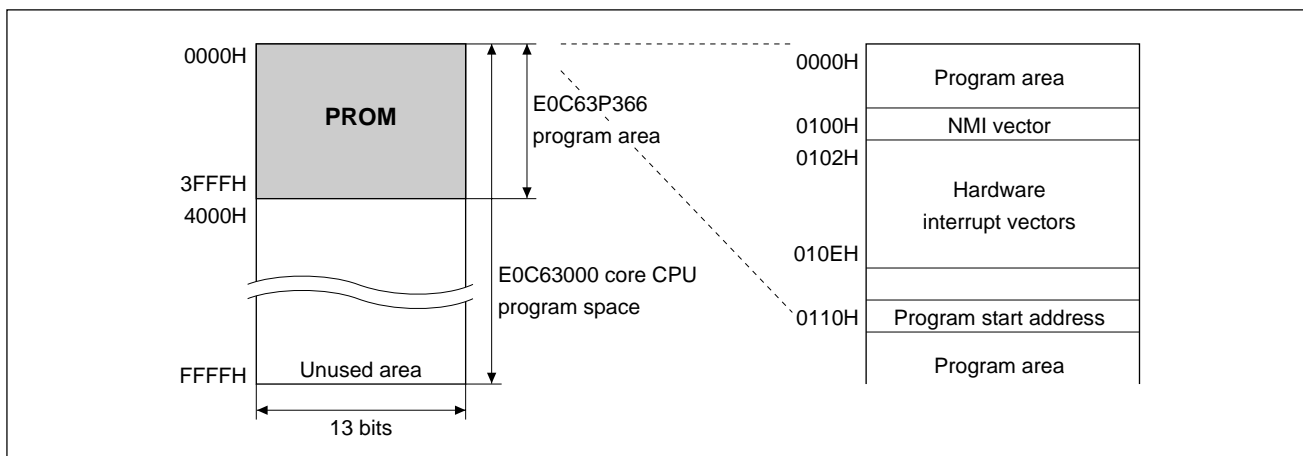
● ROM, RAM

The E0C63P366 employs a Flash EEPROM for the internal ROM. The Flash EEPROM can be rewritten up to 10 times. Rewriting data is done at the user's own risk.

1) Code ROM

The built-in code ROM is a Flash ROM for loading programs, and has a capacity of 16,384 steps × 13 bits. The core CPU can linearly access the program space up to step FFFFH from step 0000H, however, the program area of the E0C63P366 is step 0000H to step 3FFFH. The program start address after initial reset is assigned to step 0110H. The non-maskable interrupt (NMI) vector and hardware interrupt vectors are allocated to step 0100H and steps 0102H–010EH, respectively.

Note: Pay attention to the application program size since the code ROM of the E0C63358/E0C63158 is smaller (8,192 steps × 13 bits, 0000H–1FFFH) than that of the E0C63P366.

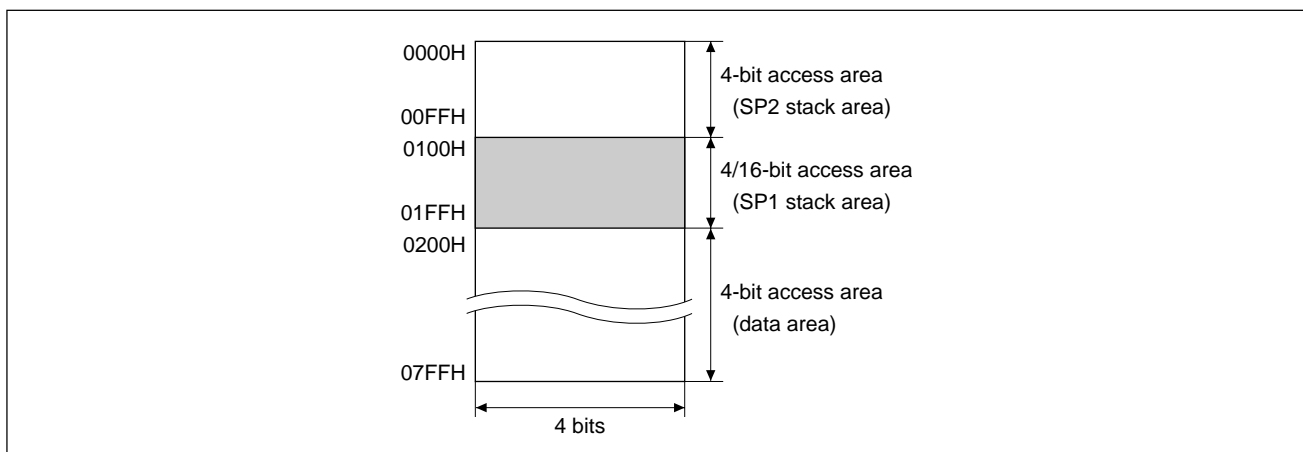


2) RAM

The RAM is a data memory for storing various kinds of data, and has a capacity of 2,048 words × 4 bits. The RAM area is assigned to addresses 0000H to 07FFH on the data memory map. Addresses 0100H to 01FFH are 4-bit/16-bit data accessible areas and in other areas it is only possible to access 4-bit data.

When programming, refer to the "Technical Manual" of the E0C63358 or E0C63158.

Note: Pay attention to the application data size since the RAM of the E0C63358/E0C63158 is smaller (512 words × 4 bits) than that of the E0C63P366.



● Oscillation Circuit

In the E0C63P366, only crystal oscillation is available for the OSC1 oscillation circuit and either ceramic or CR oscillation is available for the OSC3 oscillation circuit. Furthermore, pay attention to the difference on the oscillation start time according to the supply voltage. Be sure to have enough margin especially for stabilizing the OSC3 oscillation when controlling the peripheral circuit that uses the OSC3 clock.

* The E0C63P366 has differences in its production process from the mask ROM models (E0C63358 and E0C63158). The constant must be decided according to the characteristics of the mask ROM model.

E0C63P366

● SVD Circuit

The E0C63P366 has a built-in SVD (supply voltage detection) circuit the same as the E0C63358 and E0C63158. However, the detection levels are different from those of the E0C63358 and E0C63158. Furthermore, there is a great restriction on the operable detection levels in the E0C63P366. When using the SVD function, check the available detection level.

Detection level	E0C63158			E0C63358			E0C63P366		
	Min.	Typ.	Max.	Min.	Typ.	Max.	Min.	Typ.	Max.
SVDS3-0 = "0"	0.95	1.05	1.15	0.95	1.05	1.15	Not allowed		
SVDS3-0 = "1"	1.05	1.10	1.15	1.02	1.10	1.18	Not allowed		
SVDS3-0 = "2"	1.10	1.15	1.20	1.07	1.15	1.23	Not allowed		
SVDS3-0 = "3"	1.15	1.20	1.25	1.12	1.20	1.28	Not allowed		
SVDS3-0 = "4"	1.20	1.25	1.30	1.16	1.25	1.34	Not allowed		
SVDS3-0 = "5"	1.25	1.30	1.35	1.21	1.30	1.39	Not allowed		
SVDS3-0 = "6"	1.35	1.40	1.45	1.30	1.40	1.50	Not allowed		
SVDS3-0 = "7"	1.55	1.60	1.65	1.49	1.60	1.71	Not allowed		
SVDS3-0 = "8"	1.90	1.95	2.00	1.81	1.95	2.09	Not allowed		
SVDS3-0 = "9"	1.95	2.00	2.05	1.86	2.00	2.14	Not allowed		
SVDS3-0 = "10"	2.00	2.05	2.10	1.91	2.05	2.19	Not allowed		
SVDS3-0 = "11"	2.05	2.10	2.15	1.95	2.10	2.25	Not allowed		
SVDS3-0 = "12"	2.15	2.20	2.25	2.05	2.20	2.35	Not allowed		
SVDS3-0 = "13"	2.25	2.30	2.35	2.14	2.30	2.46	Not allowed		
SVDS3-0 = "14"	2.45	2.50	2.55	2.33	2.50	2.68	2.50	2.70	2.90
SVDS3-0 = "15"	2.55	2.60	2.65	2.42	2.60	2.78	2.60	2.80	3.00

A criteria voltage can be set using the SVDS0–SVDS3 register (I/O memory address: FF04H).

Since the minimum operating voltage of the E0C63P366 is 2.7V, 2.7V or less criteria voltages are not available. Be aware that the SVD circuit in the E0C63P366 may not operate when a 2.7V or less criteria voltage is selected. For the software control sequence of the SVD circuit, refer to the Technical Manual of the E0C63358 and E0C63158.

■ ELECTRICAL CHARACTERISTICS

Note: The electrical characteristics of the E0C63P366 are different from those of the E0C63358/E0C63158. The following characteristic values should be used as reference values when the E0C63P366 is used as a development tool.

● Absolute Maximum Ratings

Rating	Symbol	Value	Unit
Supply voltage	V _{DD}	-0.5 to 7.0	V
Input voltage (1)	V _I	-0.5 to V _{DD} + 0.3	V
Input voltage (2)	V _I osc	-0.5 to V _{D1} + 0.3	V
Permissible total output current *1	ΣI _{VDD}	10	mA
Operating temperature	T _{opr}	-20 to 70	°C
Storage temperature *2	T _{stg}	-65 to 150	°C
Soldering temperature / time	T _{sol}	260°C, 10sec (lead section)	–
Permissible dissipation *3	P _D	250	mW

*1: The permissible total output current is the sum total of the current (average current) that simultaneously flows from the output pin (or is drawn in).

*2: The storage temperature cannot guarantee data holding capability.

*3: In case of plastic package (QFP15-100pin).

● Recommended Operating Conditions

Condition	Symbol	Remark	(Ta=-20 to 70°C)			
			Min.	Typ.	Max.	Unit
Supply voltage	V _{DD}	V _{SS} =0V	2.7	3.0	5.5	V
	AV _{DD}	AV _{SS} =0V	2.7	3.0	5.5	V
Oscillation frequency	fosc1	Crystal oscillation	–	32.768	–	kHz
	fosc3	CR oscillation		1800		kHz
		Ceramic oscillation			4100	

● DC Characteristics

(Unless otherwise specified: $V_{DD}=3.0V$, $V_{SS}=0V$, $f_{osc1}=32.768kHz$, $T_a=25^{\circ}C$, $V_{D1}/V_{C1}/V_{C2}/V_{C3}$ are internal voltage, $C_1-C_5=0.2\mu F$)

Characteristic	Symbol	Condition	Min.	Typ.	Max.	Unit
High level input voltage (1)	V_{IH1}	K00-03, K10-13, K20, P00-03, P10-13, P20-23 P30-33, P40-43, RXD, SCLK, CLKIN, \overline{SPRG}	$0.8 \cdot V_{DD}$		V_{DD}	V
High level input voltage (2)	V_{IH2}	RESET, TEST	$0.9 \cdot V_{DD}$		V_{DD}	V
Low level input voltage (1)	V_{IL1}	K00-03, K10-13, K20, P00-03, P10-13, P20-23 P30-33, P40-43, RXD, SCLK, CLKIN, \overline{SPRG}	0		$0.2 \cdot V_{DD}$	V
Low level input voltage (2)	V_{IL2}	RESET, TEST	0		$0.1 \cdot V_{DD}$	V
High level input current	I_{IH}	$V_{IH}=3.0V$ K00-03, K10-13, K20, P00-03, P10-13, P20-23 P30-33, P40-43, RXD, SCLK, CLKIN, \overline{SPRG} RESET, TEST	0		0.5	μA
Low level input current (1)	I_{IL1}	$V_{IL1}=V_{SS}$ No Pull-up K00-03, K10-13, K20, P00-03 P10-13, P20-23, P30-33, P40-43	-0.5		0	μA
Low level input current (2)	I_{IL2}	$V_{IL2}=V_{SS}$ With Pull-up K00-03, K10-13, K20, P00-03, P10-13, P20-23 P30-33, P40-43, RXD, SCLK, CLKIN, \overline{SPRG} RESET, TEST	-16	-10	-5	μA
High level output current (1)	I_{OH1}	$V_{OH1}=0.9 \cdot V_{DD}$ R00-03, R10-13, R20-23, P00-03, P10-13 P20-23, P30-33, P40-43, TXD, SCLK			-1.5	mA
High level output current (2)	I_{OH2}	$V_{OH2}=0.9 \cdot V_{DD}$ BZ			-1.5	mA
Low level output current (1)	I_{OL1}	$V_{OL1}=0.1 \cdot V_{DD}$ R00-03, R10-13, R20-23, P00-03, P10-13 P20-23, P30-33, P40-43, TXD, SCLK	3			mA
Low level output current (2)	I_{OL2}	$V_{OL2}=0.1 \cdot V_{DD}$ BZ	3			mA
Common output current	I_{OH3}	$V_{OH3}=V_{C5}-0.05V$ COM0-3			-10	μA
	I_{OL3}	$V_{OL3}=V_{SS}+0.05V$	10			μA
Segment output current (during LCD output)	I_{OH4}	$V_{OH4}=V_{C5}-0.05V$ SEG0-31			-10	μA
	I_{OL4}	$V_{OL4}=V_{SS}+0.05V$	10			μA
Segment output current (during DC output)	I_{OH5}	$V_{OH5}=0.9 \cdot V_{DD}$ SEG0-31			-220	μA
	I_{OL5}	$V_{OL5}=0.1 \cdot V_{DD}$	220			μA

(Unless otherwise specified: $V_{DD}=5.0V$, $V_{SS}=0V$, $f_{osc1}=32.768kHz$, $T_a=25^{\circ}C$, $V_{D1}/V_{C1}/V_{C2}/V_{C3}$ are internal voltage, $C_1-C_5=0.2\mu F$)

Characteristic	Symbol	Condition	Min.	Typ.	Max.	Unit
High level input voltage (1)	V_{IH1}	K00-03, K10-13, K20, P00-03, P10-13, P20-23 P30-33, P40-43, RXD, SCLK, CLKIN, \overline{SPRG}	$0.8 \cdot V_{DD}$		V_{DD}	V
High level input voltage (2)	V_{IH2}	RESET, TEST	$0.9 \cdot V_{DD}$		V_{DD}	V
Low level input voltage (1)	V_{IL1}	K00-03, K10-13, K20, P00-03, P10-13, P20-23 P30-33, P40-43, RXD, SCLK, CLKIN, \overline{SPRG}	0		$0.2 \cdot V_{DD}$	V
Low level input voltage (2)	V_{IL2}	RESET, TEST	0		$0.1 \cdot V_{DD}$	V
High level input current	I_{IH}	$V_{IH}=5.0V$ K00-03, K10-13, K20, P00-03, P10-13, P20-23 P30-33, P40-43, RXD, SCLK, CLKIN, \overline{SPRG} RESET, TEST	0		0.5	μA
Low level input current (1)	I_{IL1}	$V_{IL1}=V_{SS}$ No Pull-up K00-03, K10-13, K20, P00-03 P10-13, P20-23, P30-33, P40-43	-0.5		0	μA
Low level input current (2)	I_{IL2}	$V_{IL2}=V_{SS}$ With Pull-up K00-03, K10-13, K20, P00-03, P10-13, P20-23 P30-33, P40-43, RXD, SCLK, CLKIN, \overline{SPRG} RESET, TEST	-25	-15	-10	μA
High level output current (1)	I_{OH1}	$V_{OH1}=0.9 \cdot V_{DD}$ R00-03, R10-13, R20-23, P00-03, P10-13 P20-23, P30-33, P40-43, TXD, SCLK			-3	mA
High level output current (2)	I_{OH2}	$V_{OH2}=0.9 \cdot V_{DD}$ BZ			-3	mA
Low level output current (1)	I_{OL1}	$V_{OL1}=0.1 \cdot V_{DD}$ R00-03, R10-13, R20-23, P00-03, P10-13 P20-23, P30-33, P40-43, TXD, SCLK	6			mA
Low level output current (2)	I_{OL2}	$V_{OL2}=0.1 \cdot V_{DD}$ BZ	6			mA
Common output current	I_{OH3}	$V_{OH3}=V_{C5}-0.05V$ COM0-3			-10	μA
	I_{OL3}	$V_{OL3}=V_{SS}+0.05V$	10			μA
Segment output current (during LCD output)	I_{OH4}	$V_{OH4}=V_{C5}-0.05V$ SEG0-31			-10	μA
	I_{OL4}	$V_{OL4}=V_{SS}+0.05V$	10			μA
Segment output current (during DC output)	I_{OH5}	$V_{OH5}=0.9 \cdot V_{DD}$ SEG0-31			-660	μA
	I_{OL5}	$V_{OL5}=0.1 \cdot V_{DD}$	660			μA

E0C63P366

● Analog Circuit Characteristics and Current Consumption

(Unless otherwise specified: $V_{DD}=3.0V$, $V_{SS}=0V$, $f_{OSC1}=32.768kHz$, $C_G=25pF$, $T_a=25^{\circ}C$, $V_{D1}/V_{C1}/V_{C2}/V_{C3}$ are internal voltage, $C_1-C_5=0.2\mu F$)

Characteristic	Symbol	Condition	Min.	Typ.	Max.	Unit	
LCD drive voltage	V_{C1}	Connect $1M\Omega$ load resistor between V_{SS} and V_{C1} (without panel load)	$1/2 \cdot V_{C2} \times 0.95$		$1/2 \cdot V_{C2} - 0.1$	V	
	V_{C2}	Connect $1M\Omega$ load resistor between V_{SS} and V_{C2} (without panel load)	Typ. $\times 0.88$	2.10	Typ. $\times 1.12$	V	
	V_{C3}	Connect $1M\Omega$ load resistor between V_{SS} and V_{C3} (without panel load)	$3/2 \cdot V_{C2} \times 0.95$		$3/2 \cdot V_{C2}$	V	
SVD voltage	V_{SVD}	SVDS0-3="0"	-	-	-	V	
		SVDS0-3="1"	-	-	-		
		SVDS0-3="2"	-	-	-		
		SVDS0-3="3"	-	-	-		
		SVDS0-3="4"	-	-	-		
		SVDS0-3="5"	-	-	-		
		SVDS0-3="6"	-	-	-		
		SVDS0-3="7"	-	-	-		
		SVDS0-3="8"	-	-	-		
		SVDS0-3="9"	-	-	-		
		SVDS0-3="10"	-	-	-		
		SVDS0-3="11"	-	-	-		
		SVDS0-3="12"	-	-	-		
		SVDS0-3="13"	-	-	-		
		SVDS0-3="14"	2.50	2.70	2.90		
SVDS0-3="15"	2.60	2.80	3.00				
SVD circuit response time	t_{SVD}				100	μS	
Current consumption	I_{OP}	During HALT Normal mode LCD power OFF	32.768kHz		2.5	6	μA
		During HALT Normal mode *1 LCD power ON	32.768kHz		37	60	μA
		During execution Normal mode *1	32.768kHz (Crystal oscillation)		120	200	μA
		LCD power ON	1.8MHz (CR oscillation)		0.6	0.9	mA
		4MHz (Ceramic oscillation)		0.8	1.2	mA	

*1: Without panel load. The SVD circuit and the A/D converter are OFF. AV_{REF} is open.

A/D Converter Characteristics

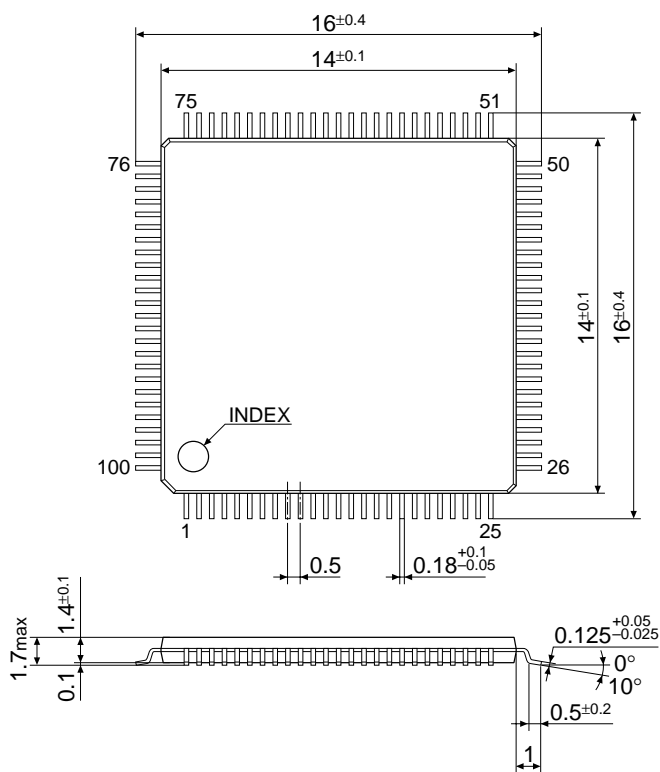
(Unless otherwise specified: $AV_{DD}=V_{DD}=2.7$ to $3.6V$, $AV_{SS}=V_{SS}=0V$, $T_a=-25$ to $75^{\circ}C$)

Characteristic	Symbol	Condition	Min.	Typ.	Max.	Unit
Resolution			8	8	8	bit
Error		$3.6V \leq V_{DD} \leq 5.5V$ $F_{conv}=OSC3/2$ or $OSC1$	-3		3	LSB
		$2.7V \leq V_{DD} \leq 3.6V$ $F_{conv}=OSC3/2$ or $OSC1$	-3		3	LSB
Conversion time	t_{conv}	$F_{conv}=OSC3/2=2MHz$			10.5	μS
		$F_{conv}=OSC1=32kHz$			641	μS
Input voltage			AV_{SS}		AV_{REF}	V
Reference voltage	AV_{REF}		0.9		AV_{DD}	V
AV_{REF} resistance			15	50		k Ω

■ PACKAGE

● Package Dimensions

Plastic QFP15-100pin



Unit: mm

● Pin Layout

No.	Pin name		No.	Pin name		No.	Pin name		No.	Pin name	
	E0C63P366	E0C63358		E0C63P366	E0C63358		E0C63P366	E0C63358		E0C63P366	E0C63358
1	SEG7	SEG7	26	CLKIN	N.C.	51	SCLK	N.C.	76	R13	R13
2	SEG8	SEG8	27	SPRG	N.C.	52	P43	P43	77	R12	R12
3	SEG9	SEG9	28	COM0	COM0	53	P42	P42	78	R11	R11
4	SEG10	SEG10	29	COM1	COM1	54	P41	P41	79	R10	R10
5	SEG11	SEG11	30	COM2	COM2	55	P40	P40	80	R03	R03
6	SEG12	SEG12	31	COM3	COM3	56	P33	P33	81	R02	R02
7	SEG13	SEG13	32	CB	CB	57	P32	P32	82	R01	R01
8	SEG14	SEG14	33	CA	CA	58	P31	P31	83	R00	R00
9	SEG15	SEG15	34	Vc3	Vc3	59	P30	P30	84	BZ	BZ
10	SEG16	SEG16	35	Vc2	Vc2	60	P23	P23	85	K00	K00
11	SEG17	SEG17	36	Vc1	Vc1	61	P22	P22	86	K01	K01
12	SEG18	SEG18	37	Vss	Vss	62	P21	P21	87	K02	K02
13	SEG19	SEG19	38	OSC1	OSC1	63	P20	P20	88	K03	K03
14	SEG20	SEG20	39	OSC2	OSC2	64	P13	P13	89	K10	K10
15	SEG21	SEG21	40	Vd1	Vd1	65	P12	P12	90	K11	K11
16	SEG22	SEG22	41	OSC3	OSC3	66	P11	P11	91	K12	K12
17	SEG23	SEG23	42	OSC4	OSC4	67	P10	P10	92	K13	K13
18	SEG24	SEG24	43	VDD	VDD	68	P03	P03	93	K20	K20
19	SEG25	SEG25	44	RESET	RESET	69	P02	P02	94	SEG0	SEG0
20	SEG26	SEG26	45	TEST	TEST	70	P01	P01	95	SEG1	SEG1
21	SEG27	SEG27	46	AVREF	AVREF	71	P00	P00	96	SEG2	SEG2
22	SEG28	SEG28	47	AVDD	AVDD	72	R23	R23	97	SEG3	SEG3
23	SEG29	SEG29	48	AVSS	AVSS	73	R22	R22	98	SEG4	SEG4
24	SEG30	SEG30	49	RXD	N.C.	74	R21	R21	99	SEG5	SEG5
25	SEG31	SEG31	50	TXD	N.C.	75	R20	R20	100	SEG6	SEG6

N.C. : No Connection

E0C63P366

● Pin Assignment Comparison List (E0C63P366: QFP15-100pin, E0C63158: QFP12-48pin)

E0C63P366		E0C63158		E0C63P366		E0C63158		E0C63P366		E0C63158		E0C63P366		E0C63158	
No.	Pin name	No.	Pin name	No.	Pin name	No.	Pin name	No.	Pin name	No.	Pin name	No.	Pin name	No.	Pin name
1	SEG7	-	-	26	CLKIN	-	-(*)1	51	SCLK	-	-(*)1	76	R13	30	R13
2	SEG8	-	-	27	SPRG	-	-(*)1	52	P43	14	P43	77	R12	31	R12
3	SEG9	-	-	28	COM0	-	-	53	P42	15	P42	78	R11	32	R11
4	SEG10	-	-	29	COM1	-	-	54	P41	16	P41	79	R10	33	R10
5	SEG11	-	-	30	COM2	-	-	55	P40	17	P40	80	R03	34	R03
6	SEG12	-	-	31	COM3	-	-	56	P33	-	-	81	R02	35	R02
7	SEG13	-	-	32	CB	11	CB	57	P32	-	-	82	R01	37	R01
8	SEG14	-	-	33	CA	12	CA	58	P31	-	-	83	R00	38	R00
9	SEG15	-	-	34	Vc3	-	-	59	P30	-	-	84	BZ	39	BZ
10	SEG16	-	-	35	Vc2	13	Vc2	60	P23	18	P23	85	K00	40	K00
11	SEG17	-	-	36	Vc1	-	-	61	P22	19	P22	86	K01	41	K01
12	SEG18	-	-	37	Vss	1	Vss	62	P21	20	P21	87	K02	42	K02
13	SEG19	-	-	38	OSC1	2	OSC1	63	P20	21	P20	88	K03	43	K03
14	SEG20	-	-	39	OSC2	3	OSC2	64	P13	22	P13	89	K10	44	K10
15	SEG21	-	-	40	Vd1	4	Vd1	65	P12	23	P12	90	K11	45	K11
16	SEG22	-	-	41	OSC3	5	OSC3	66	P11	24	P11	91	K12	46	K12
17	SEG23	-	-	42	OSC4	6	OSC4	67	P10	25	P10	92	K13	47	K13
18	SEG24	-	-	43	VDD	7	VDD	68	P03	26	P03	93	K20	48	K20
19	SEG25	-	-	44	<u>RESET</u>	8	<u>RESET</u>	69	P02	27	P02	94	SEG0	-	-
20	SEG26	-	-	45	<u>TEST</u>	9	<u>TEST</u>	70	P01	28	P01	95	SEG1	-	-
21	SEG27	-	-	46	AVREF	10	VREF	71	P00	29	P00	96	SEG2	-	-
22	SEG28	-	-	47	AVDD	-	-	72	R23	-	-	97	SEG3	-	-
23	SEG29	-	-	48	AVss	-	-	73	R22	-	-	98	SEG4	-	-
24	SEG30	-	-	49	RXD	-	-(*)1	74	R21	-	-	99	SEG5	-	-
25	SEG31	-	-	50	TXD	-	-(*)1	75	R20	-	-	100	SEG6	-	-

*1 : Pin for serial programming

● Pin Assignment Comparison List (E0C63P366: QFP15-100pin, E0C63158: QFP13-64pin)

E0C63P366		E0C63158		E0C63P366		E0C63158		E0C63P366		E0C63158		E0C63P366		E0C63158	
No.	Pin name	No.	Pin name	No.	Pin name	No.	Pin name	No.	Pin name	No.	Pin name	No.	Pin name	No.	Pin name
1	SEG7	-	-	26	CLKIN	-	-(*)1	51	SCLK	-	-(*)1	76	R13	41	R13
2	SEG8	-	-	27	SPRG	-	-(*)1	52	P43	17	P43	77	R12	42	R12
3	SEG9	-	-	28	COM0	-	-	53	P42	18	P42	78	R11	43	R11
4	SEG10	-	-	29	COM1	-	-	54	P41	19	P41	79	R10	44	R10
5	SEG11	-	-	30	COM2	-	-	55	P40	20	P40	80	R03	45	R03
6	SEG12	-	-	31	COM3	-	-	56	P33	21	P33	81	R02	46	R02
7	SEG13	-	-	32	CB	13	CB	57	P32	22	P32	82	R01	52	R01
8	SEG14	-	-	33	CA	14	CA	58	P31	23	P31	83	R00	53	R00
9	SEG15	-	-	34	Vc3	-	-	59	P30	24	P30	84	BZ	54	BZ
10	SEG16	-	-	35	Vc2	15	Vc2	60	P23	25	P23	85	K00	55	K00
11	SEG17	-	-	36	Vc1	-	-	61	P22	26	P22	86	K01	56	K01
12	SEG18	-	-	37	Vss	1	Vss	62	P21	27	P21	87	K02	57	K02
13	SEG19	-	-	38	OSC1	2	OSC1	63	P20	28	P20	88	K03	58	K03
14	SEG20	-	-	39	OSC2	3	OSC2	64	P13	29	P13	89	K10	59	K10
15	SEG21	-	-	40	Vd1	4	Vd1	65	P12	30	P12	90	K11	60	K11
16	SEG22	-	-	41	OSC3	5	OSC3	66	P11	31	P11	91	K12	61	K12
17	SEG23	-	-	42	OSC4	6	OSC4	67	P10	32	P10	92	K13	62	K13
18	SEG24	-	-	43	VDD	7	VDD	68	P03	33	P03	93	K20	63	K20
19	SEG25	-	-	44	<u>RESET</u>	8	<u>RESET</u>	69	P02	34	P02	94	SEG0	-	-
20	SEG26	-	-	45	<u>TEST</u>	9	<u>TEST</u>	70	P01	35	P01	95	SEG1	-	-
21	SEG27	-	-	46	AVREF	12	VREF	71	P00	36	P00	96	SEG2	-	-
22	SEG28	-	-	47	AVDD	10	AVDD	72	R23	37	R23	97	SEG3	-	-
23	SEG29	-	-	48	AVss	11	AVss	73	R22	38	R22	98	SEG4	-	-
24	SEG30	-	-	49	RXD	-	-(*)1	74	R21	39	R21	99	SEG5	-	-
25	SEG31	-	-	50	TXD	-	-(*)1	75	R20	40	R20	100	SEG6	-	-

*1 : Pin for serial programming

■ PIN DESCRIPTION

Pin name	Pin No.	Normal operation mode		Serial programming mode	
		In/Out	Function	In/Out	Function
VDD	43	–	Power (+) supply pin	–	Power (+) supply pin
VSS	37	–	Power (–) supply pin	–	Power (–) supply pin
V _{D1}	40	–	Internal regulated voltage output pin	–	Internal regulated voltage output pin
V _{C1} , V _{C3}	36, 34	–	Unused	–	Unused
V _{C2}	35	–	Unused *1	–	Unused
CA, CB	33, 32	–	LCD system boosting capacitor connecting pin	–	Unused
OSC1	38	I	OSC1 oscillation input pin	I	OSC1 oscillation input pin
OSC2	39	O	OSC1 oscillation output pin	O	OSC1 oscillation output pin
OSC3	41	I	OSC3 oscillation input pin	I	Unused
OSC4	42	O	OSC3 oscillation output pin	O	Unused
K00–K03	85–88	I	Input port	I	Unused (High or Low)
K10–K13	89–92	I	Input port	I	Unused (High or Low)
K20	93	I	Input port	I	Unused (High or Low)
P00–P03	71–68	I/O	I/O port	I	Unused (High or Low)
P10–P13	67–64	I/O	I/O port	I	Unused (High or Low)
P20–P23	63–60	I/O	I/O port	I	Unused (High or Low)
P30–P33	59–56	I/O	I/O port	I	Unused (High or Low)
P40–P43	55–52	I/O	I/O port	I	Unused (High or Low)
R00	83	O	Output port	O	Unused
R01	82	O	Output port	O	Unused
R02	81	O	Output port/TOUT output	O	Unused
R03	80	O	Output port/FOUT output	O	Unused
R10–R13	79–76	O	Output port	O	Unused
R20–R23	75–72	O	Output port	O	Unused
COM0–COM3	28–31	O	Unused	O	Unused
SEG0–SEG31	94–100, 1–25	O	Unused	O	Unused
AVDD	47	–	Power (+) supply pin for A/D converter	–	Unused
AVSS	48	–	Power (–) supply pin for A/D converter	–	Unused
AVREF	46	–	Reference voltage for A/D converter	–	Unused
BZ	84	O	Buzzer output pin	O	Unused
RESET	44	I	Initial reset input pin	I	Initial reset input pin
TEST	45	I	Testing input pin	I	Unused (High)
RXD *2	49	I	Unused (High)	I	PROM serial programming data input pin
TXD *2	50	O	Unused	O	PROM serial programming data output pin
SCLK *2	51	I	Unused (High)	I/O	PROM serial programming clock input pin
CLKIN *2	26	I	Unused (High)	I	PROM serial programming source clock input pin
SPRG *2	27	I	Unused (High)	I	PROM serial programming mode setting pin

*1: The oscillation system voltage regulator and the A/D converter power supply circuit do not enter V_{C2} mode.

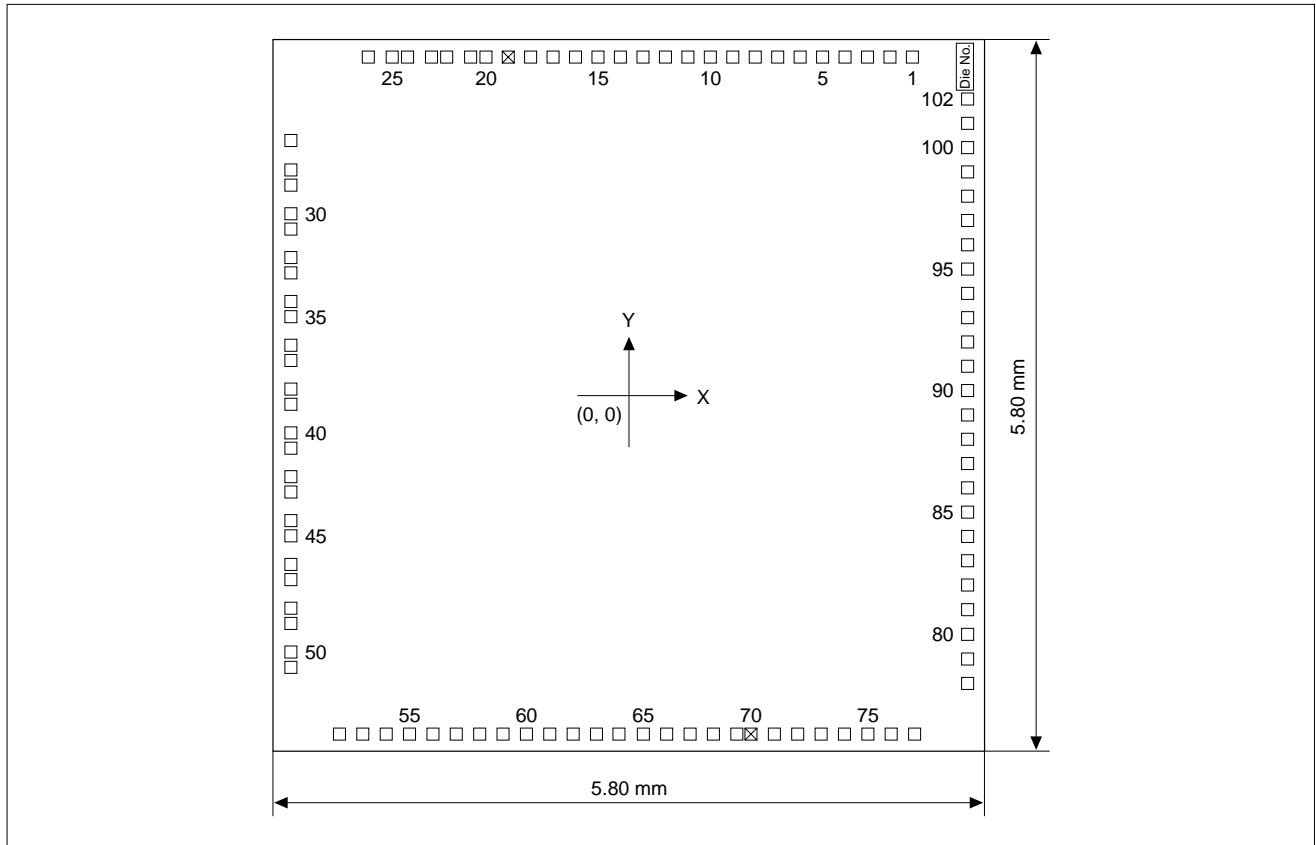
*2: Pin for serial programming

In the parallel programming mode, all the terminals are set to the appropriate status by the exclusive PROM writer.

E0C63P366

■ PAD LAYOUT

● Diagram of Pad Layout



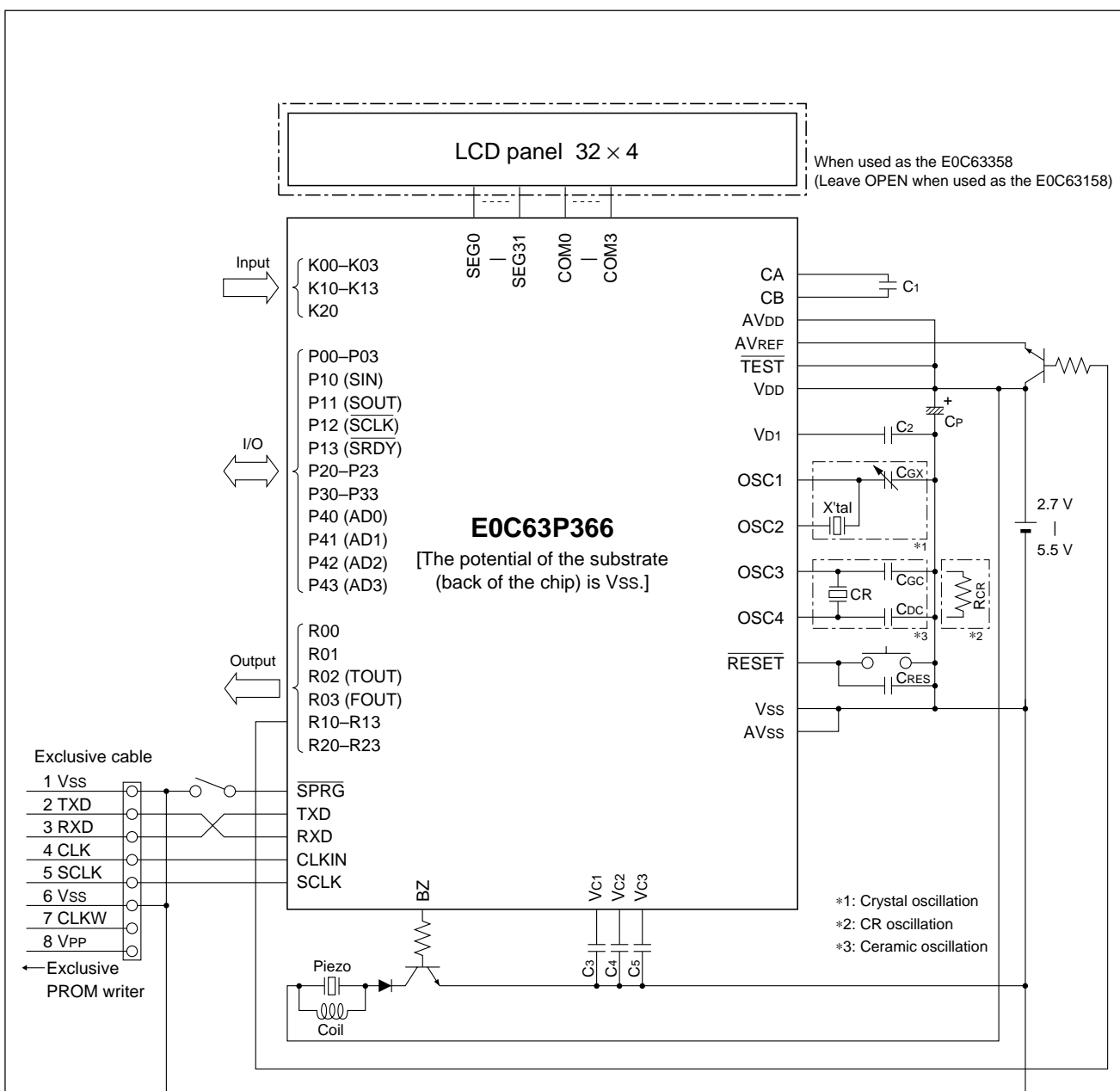
● Pad Coordinates

Unit: μm

No.	Pad name	X	Y	No.	Pad name	X	Y	No.	Pad name	X	Y	No.	Pad name	X	Y
1	R13	2,309	2,759	27	SEG7	-2,757	2,079	53	SPRG	-2,171	-2,759	79	P43	2,759	-2,147
2	R12	2,126	2,759	28	SEG8	-2,757	1,839	54	COM0	-1,980	-2,759	80	P42	2,759	-1,946
3	R11	1,943	2,759	29	SEG9	-2,757	1,715	55	COM1	-1,790	-2,759	81	P41	2,759	-1,745
4	R10	1,760	2,759	30	SEG10	-2,757	1,482	56	COM2	-1,599	-2,759	82	P40	2,759	-1,544
5	R03	1,577	2,759	31	SEG11	-2,757	1,357	57	COM3	-1,409	-2,759	83	P33	2,759	-1,346
6	R02	1,394	2,759	32	SEG12	-2,757	1,125	58	CB	-1,218	-2,759	84	P32	2,759	-1,148
7	R01	1,211	2,759	33	SEG13	-2,757	1,000	59	CA	-1,028	-2,759	85	P31	2,759	-950
8	R00	1,028	2,759	34	SEG14	-2,757	767	60	Vc3	-837	-2,759	86	P30	2,759	-752
9	BZ	845	2,759	35	SEG15	-2,757	-2,757	61	Vc2	-647	-2,759	87	P23	2,759	-554
10	K00	662	2,759	36	SEG16	-2,757	-2,757	62	Vc1	-456	-2,759	88	P22	2,759	-356
11	K01	479	2,759	37	SEG17	-2,757	-2,757	63	Vss	-266	-2,759	89	P21	2,759	-158
12	K02	296	2,759	38	SEG18	-2,757	-2,757	64	OSC1	-83	-2,759	90	P20	2,759	41
13	K03	113	2,759	39	SEG19	-2,757	-2,757	65	OSC2	116	-2,759	91	P13	2,759	239
14	K10	-71	2,759	40	SEG20	-2,757	-2,757	66	Vd1	306	-2,759	92	P12	2,759	437
15	K11	-254	2,759	41	SEG21	-2,757	-2,757	67	OSC3	497	-2,759	93	P11	2,759	635
16	K12	-437	2,759	42	SEG22	-2,757	-2,757	68	OSC4	687	-2,759	94	P10	2,759	833
17	K13	-620	2,759	43	SEG23	-2,757	-2,757	69	VDD	878	-2,759	95	P03	2,759	1,031
18	K20	-803	2,759	44	SEG24	-2,757	-2,757	70	N.C.	993	-2,759	96	P02	2,759	1,229
19	N.C.	-986	2,759	45	SEG25	-2,757	-2,757	71	RESET	1,184	-2,759	97	P01	2,759	1,427
20	SEG0	-1,167	2,759	46	SEG26	-2,757	-2,757	72	TEST	1,374	-2,759	98	P00	2,759	1,625
21	SEG1	-1,292	2,759	47	SEG27	-2,757	-2,757	73	AVREF	1,565	-2,759	99	R23	2,759	1,823
22	SEG2	-1,487	2,759	48	SEG28	-2,757	-2,757	74	AVDD	1,755	-2,759	100	R22	2,759	2,021
23	SEG3	-1,611	2,759	49	SEG29	-2,757	-2,757	75	AVss	1,946	-2,759	101	R21	2,759	2,219
24	SEG4	-1,806	2,759	50	SEG30	-2,757	-2,757	76	RXD	2,136	-2,759	102	R20	2,759	2,417
25	SEG5	-1,931	2,759	51	SEG31	-2,757	-2,757	77	TXD	2,327	-2,759	-	-	-	-
26	SEG6	-2,126	2,759	52	CLKIN	-2,361	-2,361	78	SCLK	2,759	-2,346	-	-	-	-

N.C. : No Connection

■ BASIC EXTERNAL CONNECTION DIAGRAM



X'tal	Crystal oscillator	32.768 kHz, C ₁ (Max.) = 34 kΩ
C _{ex}	Trimmer capacitor	5–25 pF
CR	Ceramic oscillator	4 MHz (3.0 V)
C _{GC}	Gate capacitor	100 pF
C _{DC}	Drain capacitor	100 pF
R _{CR}	Resistor for OSC3 CR oscillation	91 kΩ (1.8 MHz/3.0 V)
C ₁ –C ₅	Capacitor	0.2 μF
C _P	Capacitor	3.3 μF
C _{RES}	RESET terminal capacitor	0.1 μF

Note: The above table is simply an example, and is not guaranteed to work.

E0C63P366

NOTICE:

No part of this material may be reproduced or duplicated in any form or by any means without the written permission of Seiko Epson. Seiko Epson reserves the right to make changes to this material without notice. Seiko Epson does not assume any liability of any kind arising out of any inaccuracies contained in this material or due to its application or use in any product or circuit and, further, there is no representation that this material is applicable to products requiring high level reliability, such as, medical products. Moreover, no license to any intellectual property rights is granted by implication or otherwise, and there is no representation or warranty that anything made in accordance with this material will be free from any patent or copyright infringement of a third party. This material or portions thereof may contain technology or the subject relating to strategic products under the control of the Foreign Exchange and Foreign Trade Law of Japan and may require an export license from the Ministry of International Trade and Industry or other approval from another government agency.

© Seiko Epson Corporation 2000 All right reserved.

SEIKO EPSON CORPORATION

ELECTRONIC DEVICES MARKETING DIVISION

IC Marketing & Engineering Group

ED International Marketing Department I (Europe & U.S.A.)

421-8, Hino, Hino-shi, Tokyo 191-8501, JAPAN
Phone : 042-587-5812 FAX : 042-587-5564

ED International Marketing Department II (Asia)

421-8, Hino, Hino-shi, Tokyo 191-8501, JAPAN
Phone : 042-587-5814 FAX : 042-587-5110

■ EPSON Electronic Devices Website

<http://www.epson.co.jp/device/>

