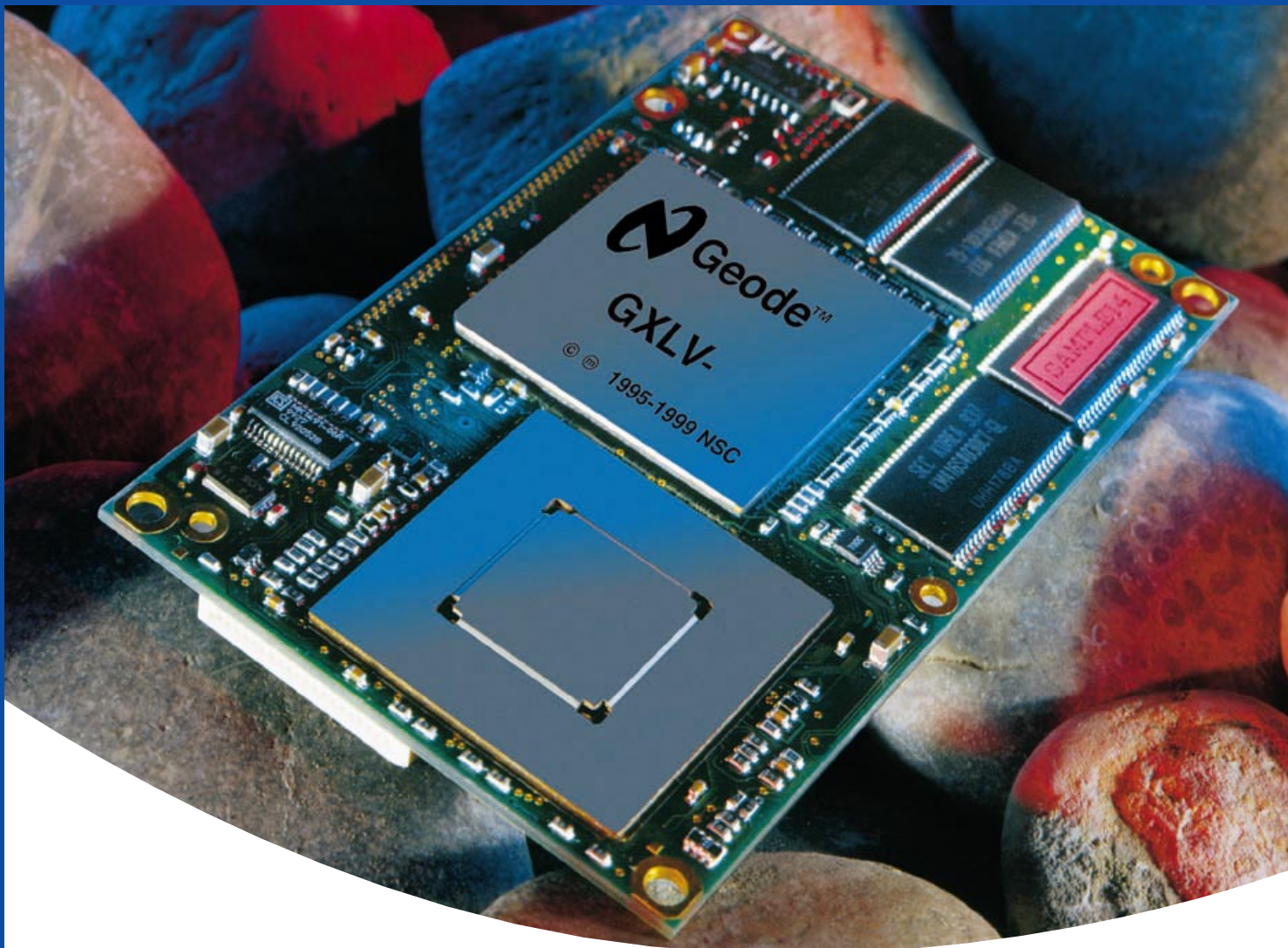


EPSON Card-PCI/GX



*Embedded PC with high performance
and low power consumption*

- Geode™ GXLV processor at 200 MHz
- Up to 64 MB DRAM / 256 KB FLASH
- SXGA CRT/LCD with 4 MB VRAM
- PCI Bus / 2 USB ports
- 2 IDE, Floppy disk
- 2 serial ports, 1 parallel port, PS/2 Keyboard and Mouse
- Audio Interface (AC97)
- Size: 101.6 x 63.5 x 16 mm³



EPSON Card-PCI/GX

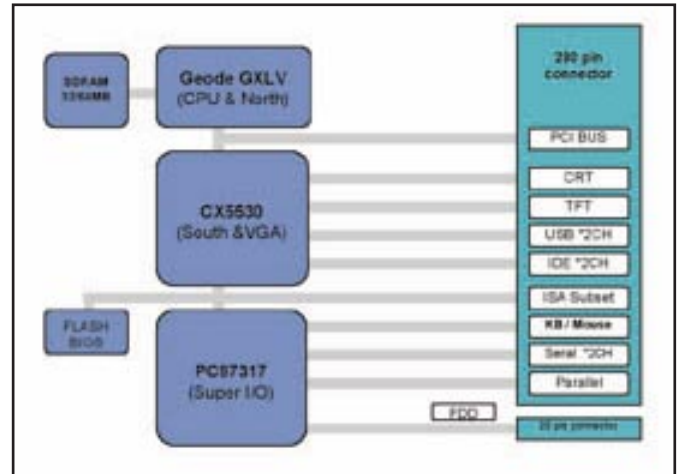
EPSON introduces a new embedded PC:

the CARD-PCI/GX based on the Geode™ processor from National Semiconductor®. This product is the first out of EPSON's latest release of PCI bus-based Card PC family. Measuring 101.6 x 63.5 x 16 mm³, the Card-PCI/GX is a very high compact solution with the most valuable integration of technology. The compact Card-PCI/GX sets a new standard for low cost applications and various Windows® CE, NT, 98, 2000, Linux, QNX or VxWorks-based applications.

Specifications

The EPSON CARD-PCI/GX (or SCE8720C01/02) is a card module integrating all necessary chipset and hardware:

- Geode™ GXLV processor at 200 MHz from National Semiconductor®
- A high performance SXGA Video controller CX5530
 - Support Analog RGB
 - Support of TFT-Displays up to 1280 x 1024 pixels (18-, 12-, or 9-Bit data)
- Super I/O controller PC97317
 - PCI Bus (3 slots supported) / ISA Bus (subset)
 - IDE (Ultra DMA/2 Ch) / USB (2 Ch)
 - Serials ports (2 Ch/IrDA 1.0 supported) / 1 parallel port
 - Audio Interface (AC97)
 - PS/2 Keyboard & Mouse
 - FDD
- A synchronous DRAM memory 32 MB (SCE8720C02) or 64 MB (SCE8720C01)
- A video memory 4 MB
- A Flash memory 256 KB (BIOS ROM)
- Power Supply: 3.14 V - 3.46 V and 5.0 V +/- 5%



CARD-PCI/GX Models:

- ◆ SCE8720C01 (200 Mhz/64 MB)
- ◆ SCE8720C02 (200 Mhz/32 MB)

Applications

- ◆ Factory automation
- ◆ Measurement systems
- ◆ Panel PC
- ◆ Network applications
- ◆ All Visual Devices

Hardware Development Kit (SCE88J5X01)

The Hardware Development Kit of CARD-PCI/GX can run any known PC Operating System, using the IDE-Interface for data storage. The serial link port or USB and appropriate cable make it easy to exchange software with any other PC. Moreover to start the design for the CARD-PCI/GX, EPSON provides the SCE88J5X01 Hardware Development Kit for CARD-PCI/GX in order to reduce the **time-to-market**.

The content of the Hardware Development Kit for CARD-PCI/GX is as follows:

- A CARD-PCI/GX single board computer with:
 - IDE Interface (2 slots)
 - PCI Interface (4 slots) / ISA interface (2 slots)
 - Connectors (serials, parallel, USB, PS/2 KB & MS, FDD...)
- SCE8720C01 (CARD-PCI/GX / 64 MB / 200 MHz)
- Adaptor for PCMCIA Card via IDE Interface
- Cables and manuals

<http://www.epson-electronics.de>

info@epson-electronics.de

EPSON EUROPE ELECTRONICS GmbH
HEADQUARTERS
Riesstrasse 15
D-80992 Munich
Tel.: +49/89/140 05-0 • Fax: +49/89/140 05-110

EPSON EUROPE ELECTRONICS GmbH
Altstadtstrasse 176
D-51379 Leverkusen
Tel.: +49/2171/504 50 • Fax: +49/2171/50 45 -10

EPSON EUROPE ELECTRONICS GmbH
2.4 Doncastle House • Doncastle Road
Bracknell • Berkshire RG12 8PE
United Kingdom
Tel.: +44/1344/381 700 • Fax: +44/1344/381 701

EPSON EUROPE ELECTRONICS GmbH
Les Conquérants, Immeuble "Fujiyama"
LP915, 1 Avenue de l'Atlantique
Z.A. de Courtabœuf 2
F-91976 Les Ulis Cedex
Tel.: +33/1/64 86 23 50 • Fax: +33/1/64 86 23 55

EPSON