

# SCE8720C Series

## CARD-PCI / GX

Preliminary

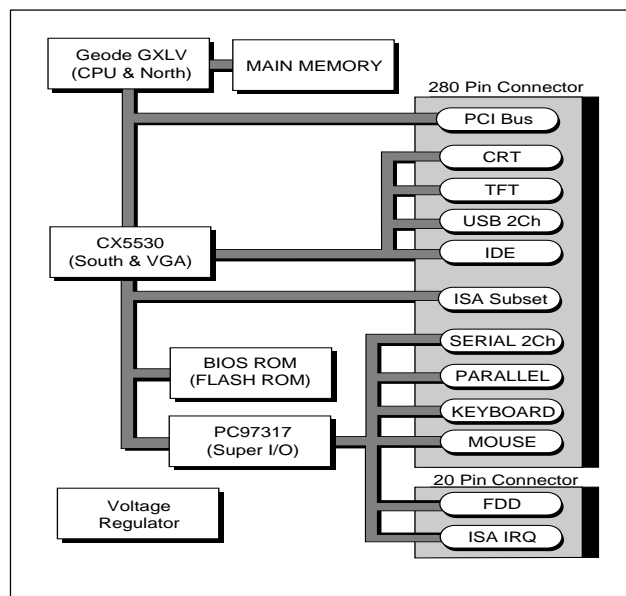
The EPSON CARD-PCI/GX is a small, thin and low power PCI motherboard solution. It is a new standard for low cost Windows® CE, 98, and NT applications. CARD-PCI/GX consists of National Semiconductor® Geode™ GXLV at 200MHz, 32 or 64MB SDRAM, high performance SXGA video controller, ISA subset and PCI bus interfaces and peripheral interfaces. These I/Os can be connected to the rest of the system via a 280-pin connector. The low power device operates with just 3W (typical) and does not require a fan for cooling.

CARD-PCI/GX is suitable for any kinds of embedded PC application due to a small footprint and low power consumption.

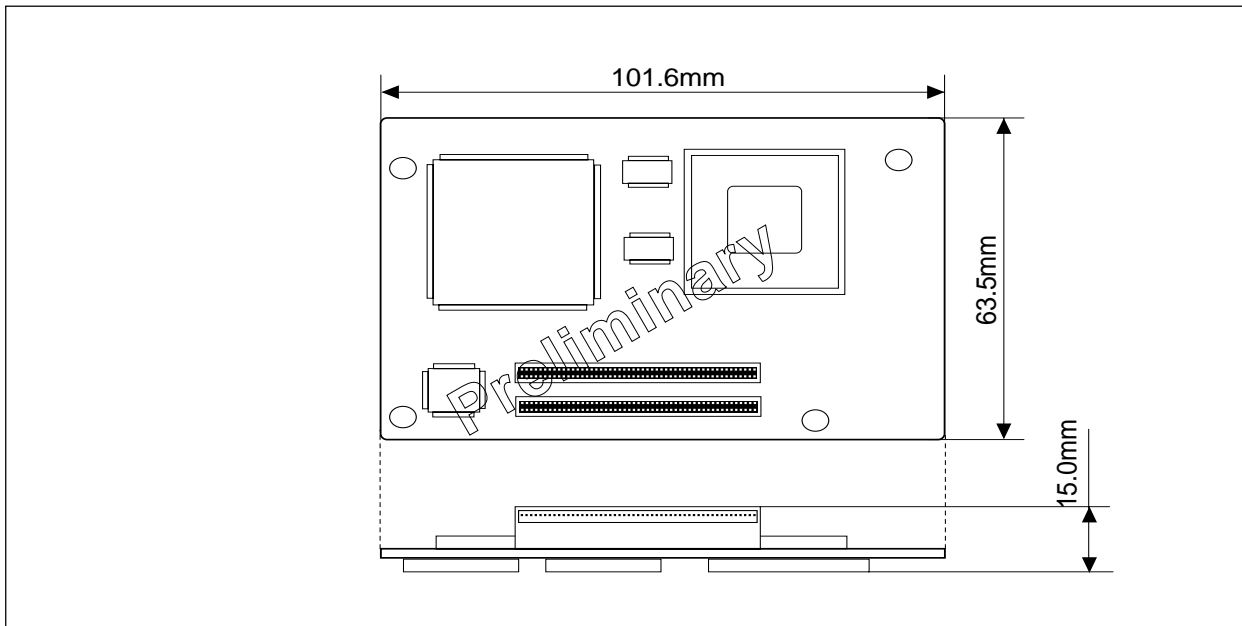
### FEATURES

- CPU ..... Geode™ GXLV
- CPU Clock ..... 200MHz
- Chip Set ..... CX5530 , PC97317
- Memory
  - SDRAM ..... 32MB, 64MB
  - BIOS ROM ..... 256KB
- Video ..... CX5530
  - CRT (Max.) 1280 x 1024 dot / 256 color
  - TFT (Max.) 1024 x 768 dot / 64K Color
- VRAM ..... 4MB (Unified Memory)
- Power supply ..... 3.14V - 3.46V and 5.0V±5%
- BIOS ..... PC/AT compatible BIOS  
SXGA BIOS  
Power management BIOS
- Bus ..... PCI bus  
ISA bus (subset)  
USB  
IDE

### BLOCK DIAGRAM



## ■ DIMENSIONS



## ■ Models

Model No.	CPU Clock (MHz)	RAM (MB)	ROM (KB)	Dimensions(mm)
SCE8720C01	200	64	256	101.6x63.5x15.0
SCE8720C02	200	32	256	101.6x63.5x15.0

### NOTICE:

No part of this material may be reproduced or duplicated in any form or by any means without the written permission of Seiko Epson. Seiko Epson reserves the right to make changes to this material without notice. Seiko Epson does not assume any liability of any kind arising out of any inaccuracies contained in this material or due to its application or use in any product or circuit and, further, there is no representation that this material is applicable to products requiring high level reliability, such as, medical products. Moreover, no license to any intellectual property rights is granted by implication or otherwise, and there is no representation or warranty that anything made in accordance with this material will be free from any patent or copyright infringement of a third party. This material or portions thereof may contain technology or the subject relating to strategic products under the control of the Foreign Exchange and Foreign Trade Law of Japan and may require an export license from the Ministry of International Trade and Industry or other approval from another government agency.  
 © Seiko Epson Corporation 2000 All right reserved.

IBM, PC/AT and VGA are registered trademarks of International Business Machines Corporation, U.S.A. Microsoft, Windows and Windows NT are registered trademarks of Microsoft Corporation. National Semiconductor and Geode are registered trademarks or trademarks of National Semiconductor Corporation. All other product names mentioned herein are trademarks and/or registered trademarks of their respective companies.

## SEIKO EPSON CORPORATION

### ELECTRONIC DEVICE MARKETING DIVISION

Electronic Device Marketing Department  
 CARD Products Sales and Marketing Group

International Marketing Department I ( U.S.A. and Europe)  
 421-8 Hino, Hino-shi, Tokyo 191-8501, JAPAN  
 Phone : 042-587-5812 Fax : 042-587-5564

International Marketing Department II (Asia)  
 421-8 Hino, Hino-shi, Tokyo 191-8501, JAPAN  
 Phone : 042-587-5814 Fax : 042-587-5110

Electronic devices information on WWW server

<http://www.epson.co.jp/device/>

