

EPSON CARD-PCI/GX Starterkit



Price:
EUR= 1.990,-*

Development Kit for Embedded PC

- Complete System Development Kit
- H/W and S/W Development Tools included
- System based on PCI Bus with USB Interface
- x86 based Open Architecture for various Operating Systems
- Reduced Design Time through Ready-To-Run Kit



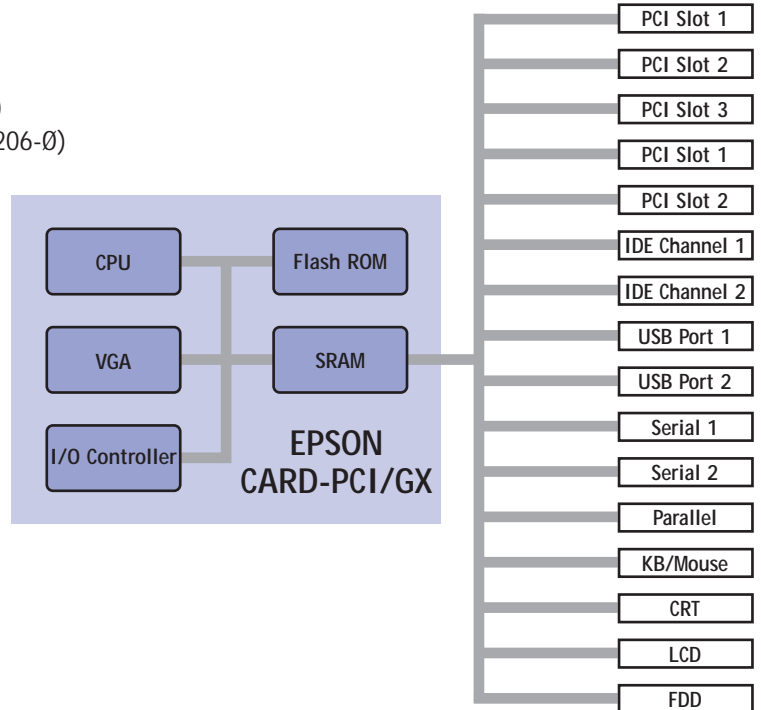
EPSON CARD-PCI/GX Starterkit

EPSON launches a new CARD-PCI/GX Development Kit

The **CARDSYSTEM-PCI** is an evaluation kit for CARD-PCI/GX products based on a Single Board Computer. It allows to build up a running system within short time and provides an "easy-to-start" setup tool to new CARD-PCI/GX users: after booting the EPSON BIOS the system is ready to run Windows CE; a demo image and some software utilities are included.

Contents of the Kit:

- CARD-PCI/GX single board computer (210 x 300 mm)
- 2 x 140 pin Connector for CARD-PCI/GX (AMP 1-353206-0)
- IDE Interfaces (2 slots)
- PCI Interface (4 slots)
- ISA Interface (2 slots)
- EPROM and PAL Socket
- Connectors for 1 x parallel, 2 x serial, 2 x USB, KB, Mouse, CRT, 2 x LCD
- FDD Connector
- Connector for standard ISA Extension Board
- Standard ATX Power Supply Connector
- CARD-PCI/GX, 32 MB, 200 MHz (SCE8720C02) based on x86 Processor from National Semiconductor
- CARDSYSTEM-PCI Documentation (on CD-ROM)
- Adapter for PCMCIA Card via IDE Interface
- 16 MB CompactFlash (incl. PCMCIA adapter) with Windows CE Demo Image, Run-Time License, additional EPSON utility software
- Cables (serial, parallel)



Design Flow

To design the CARD-PCI/GX target system for the 280-pin interface, the CARDSYSTEM-PCI is a helpful tool for hardware integration and test of the application software. With the EPSON tools the modification and semi-customisation of the BIOS can be done easily (note: the EPSON BIOS is an adaptation of the Award BIOS). The serial link port or USB and appropriate cable makes it easy to exchange software with any other PC. After all the test and debugging is done, the CARD-PCI/GX can be pulled off and plugged into the customers target system.

The CARD-PCI/GX can be easily replaced by any other CARD-PCI model with a different configuration. The system can also run any known PC Operating System (Windows CE, NT, Win 9x, Win 2000, QNX, VxWorks, Linux, etc.), using the IDE-Interface for data storage.

Product Code

This development kit can be ordered using the product code: **CARDSYSTEM-PCI**

EPSON EUROPE ELECTRONICS GmbH
HEADQUARTERS
Riesstrasse 15
D-80992 Munich
Tel.: +49/89/140 05-0 • Fax: +49/89/140 05-110

EPSON EUROPE ELECTRONICS GmbH
Altstadtstrasse 176
D-51379 Leverkusen
Tel.: +49/2171/504 50 • Fax: +49/2171/50 45 -10

EPSON EUROPE ELECTRONICS GmbH
2.4 Doncastle House • Doncastle Road
Bracknell • Berkshire RG12 8PE
United Kingdom
Tel.: +44/1344/381 700 • Fax: +44/1344/381 701

EPSON EUROPE ELECTRONICS GmbH
Les Conquérants, Immeuble "Fujiyama"
LP915, 1 Avenue de l'Atlantique
Z.A. de Courtabœuf 2
F-91976 Les Ulis Cedex
Tel.: +33.1.64.86.23.50 • Fax: +33.1.64.86.23.55

www.epson-electronics.de
info@epson-electronics.de

