

SAW Resonator (SAW: Surface Acoustic Waves)

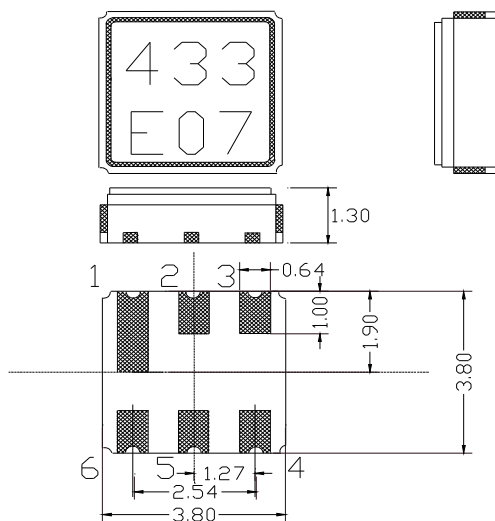
## FS - 335 (1 port type)

- High stability by using crystal plate.
- Reflow solderable SMD ceramic package.
- Using ceramic material allows 1.3mm (typ.) thickness.

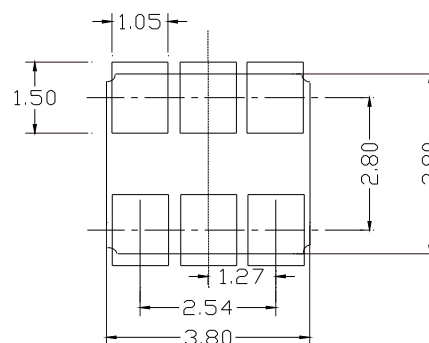
### Specifications ( Characteristics )

Item	Symbol	Specifications	Remarks
Nominal frequency range	f <sub>0</sub>	250MHz to 900MHz	
Storage temperature range	T <sub>STG</sub>	-55°C to +100°C	
Operable temperature	T <sub>OPR</sub>	-40°C to +85°C	
Maximum drive level	GL	10mW max.	
Frequency tolerance	Δf / f <sub>0</sub>	± 25ppm , ± 50ppm ± 100ppm ----- ± 100ppm	250 to 500MHz T <sub>a</sub> =25°C±3°C 500 to 900MHz T <sub>a</sub> =25°C±3°C
Peak Temperature	T	25°C±15°C	
Temperature Coefficient		-3.40.8x10 <sup>-8</sup> / °C <sup>2</sup>	
Harmonic Ratio	Rs/R <sub>1</sub>	2 min.	
Series resistance(CI value)	R <sub>1</sub>	25Ω max. ----- 40Ω max.	250MHz to 500MHz 500MHz to 900MHz
Motional capacitance	C <sub>0</sub>	2.6 fF	EX: f <sub>0</sub> =312.24MHz
Shunt capacitance	C <sub>1</sub>	4.3 pF	EX: f <sub>0</sub> =312.24MHz
Isolation resistance	IR	500MΩ min.	

### External Dimensions



### Recommended Soldering Pattern



### Terminal connection

Terminal NO.	Connection
2, 5	IN / OUT
1, 3, 4, 6	GND