

EPSON AcuLaser™ 8500

COLOR COPY STATION

All rights reserved. No part of this publication may be reproduced, stored in a retrieval system, or transmitted in any form or by any means, mechanical, photocopying, recording, or otherwise, without the prior written permission of SEIKO EPSON CORPORATION. No patent liability is assumed with respect to the use of the information contained herein. Neither is any liability assumed for damages resulting from the use of the information contained herein.

Neither SEIKO EPSON CORPORATION nor its affiliates shall be liable to the purchaser of this product or third parties for damages, losses, costs, or expenses incurred by purchaser as a result of: accident, misuse, or abuse of this product or unauthorized modifications, repairs, or alterations to this product, or (excluding the U.S.) failure to strictly comply with SEIKO EPSON corporation's operating and maintenance instructions.

SEIKO EPSON CORPORATION shall not be liable against any damages or problems arising from the use of any options or any consumable products other than those designated as Original EPSON Approved Products by SEIKO EPSON CORPORATION.

EPSON is a registered trademark of SEIKO EPSON CORPORATION.

General Notice: Other product names used herein are for identification purposes only and may be trademarks of their respective owners. EPSON disclaims any and all rights in those marks.

Copyright © 2000 by SEIKO EPSON CORPORATION, Nagano, Japan

Setup Guide

DECLARATION of CONFORMITY

According to 47CFR, Part 2 and 15 for Class B Personal Computers and Peripherals;
and/or CPU Boards and Power Supplies used with Class B Personal Computers:

We: EPSON AMERICA, INC.
Located at: MS 6-43
3840 Kilroy Airport Way
Long Beach, CA 90806-2469
Telephone: (562)290-5254

Declare under sole responsibility that the product identified herein, complies with 47CFR Part 2 and 15 of the FCC rules as a Class B digital device. Each product marketed, is identical to the representative unit tested and found to be compliant with the standards. Records maintained continue to reflect the equipment being produced can be expected to be within the variation accepted, due to quantity production and testing on a statistical basis as required by 47CFR §2.909 Operation is subject to the following two conditions: (1) this device may not cause harmful interference, and (2) this device must accept any interference received, including interference that may cause undesired operation.

Trade Name: EPSON
Type of Product: Color Copy Station
Model: EU-42

Contents

Safety Instructions	1
Finding a Place for the Copy Station	3
Checking the Copy Station Components	5
Setting Up the Cabinet	7
Setting Up the Scanner	14
Setting Up the Printer	17
Setting Up the Copy Station	25
Testing the Copy Station	30
Selecting a Language	37
Appendix A Installing EPSON Network Image Express	39

Safety Instructions

Important Safety Instructions

Read all of these instructions and save them for later reference.

- Follow all warnings and instructions marked on the copy station.
- Do not block or cover the openings in the printer or the scanner.
- Do not insert objects through the slots in the printer or the scanner.
- Do not spill liquid on the copy station.
- Use only the type of power source indicated on the printer and scanner labels.
- Connect all equipment to properly grounded power outlets. Avoid using outlets on the same circuit as photocopiers or air control systems that regularly switch on and off.
- Do not use a damaged or frayed power cord.
- Unless otherwise explained in this guide, do not attempt to service this product yourself.
- Unplug the copy station and refer servicing to qualified service personnel under the following conditions:

If a power cord or plug is damaged; if liquid has entered the copy station; if any copy station component has been dropped or the cabinet damaged; or if the copy station does not operate normally or exhibits a distinct change in performance. Adjust only those controls that are covered by the operating instructions.

- ❑ If you plan to use the copy station in Germany, observe the following:

To provide adequate short-circuit protection and over-current protection for this product, the building installation must be protected by a 10 Amp or 16 Amp circuit breaker.

Note for German-speaking users:

Bei Anschluss des Druckers an die Stromversorgung muss sichergestellt werden, dass die Gebäudeinstallation mit einer 10 A- oder 16 A-Sicherung abgesichert ist.

- ❑ Place the copy station near a wall outlet where you can easily unplug the power cords.

Note for French-speaking users:

Placez le copy station près d'une prise de courant où les fiches peuvent-être débranchées facilement.

Warnings, Cautions, and Notes



Warnings must be followed carefully to avoid bodily injury.



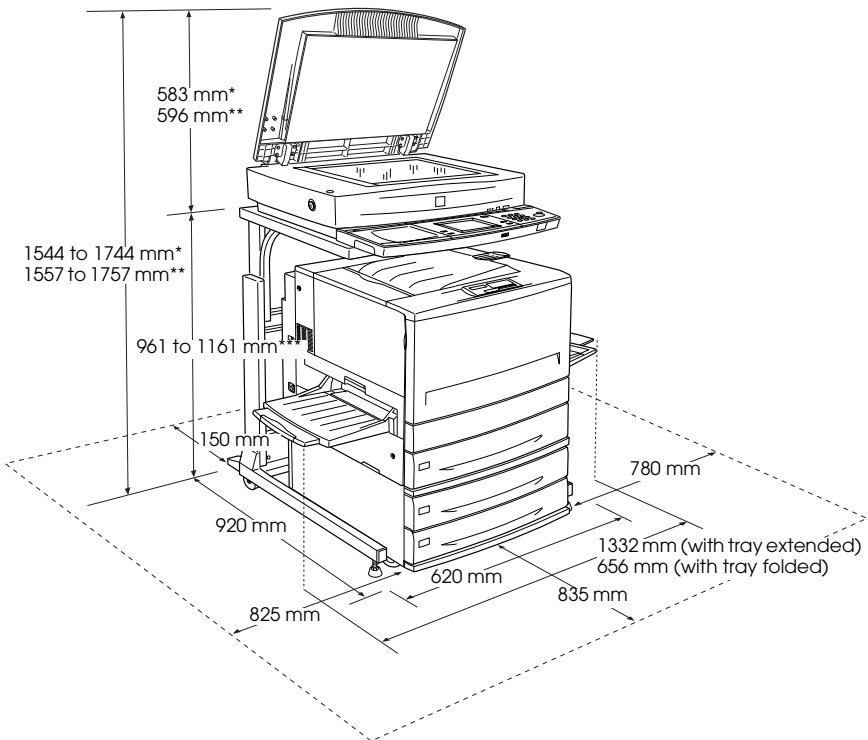
Cautions must be observed to avoid damage to your equipment.

Notes contain important information and useful tips on the operation of your copy station.

Finding a Place for the Copy Station

Before assembling the copy station, find a place that meets the following requirements.

- ❑ Leave adequate room for easy operation, maintenance, and ventilation. The minimum space requirements are shown below.



* EPSON GT-10000+

** EPSON EXPRESSION 1640XL

***The cabinet height is adjustable to five positions.

- ❑ Place the copy station on a flat, stable surface.
- ❑ The copy station will operate properly under the following conditions:

Temperature: 10 to 35°C

Humidity: 20 to 80%



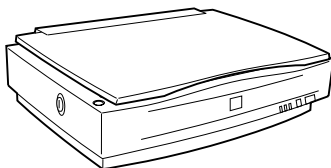
Caution:

- ❑ *Avoid locations that are subject to shock, direct sunlight, extreme variation in temperature or humidity, excessive heat, moisture, or dust.*
- ❑ *Do not place the copy station in locations where volatile substances are used or stored.*

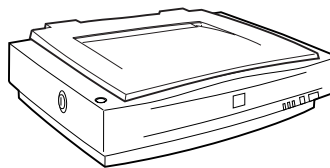
Checking the Copy Station Components

The copy station consists of a cabinet and central control panel, a scanner (EPSON GT-10000+ or EPSON EXPRESSION 1640XL), a printer (EPSON AcuLaser C8500), and a large capacity paper unit. Make sure you have the boxes for each of the copy station components listed below.

- Color laser printer (EPSON AcuLaser C8500)
- Large capacity paper unit
- Color image scanner (EPSON GT-10000+ or EPSON EXPRESSION 1640XL)



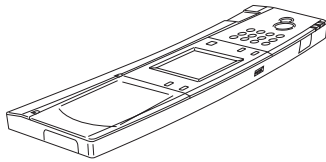
EPSON GT-10000+



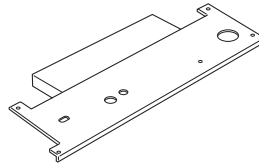
EPSON EXPRESSION 1640XL

- Cabinet
- Copy station accessories

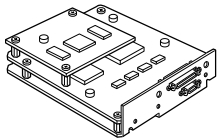
The copy station accessories box contains the items listed below. Confirm that none of these items is missing or damaged.



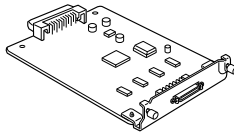
control panel



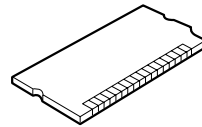
control panel shelf



printer interface board



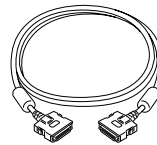
scanner interface board



program ROM module



control panel cable



scanner cable



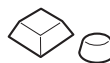
screws for control panel shelf (5)



screw for printer interface board (1)



screws with washers for EPSON Image Express (2)



rubber feet (2 types x 2)

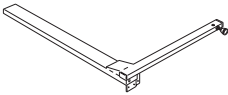
caution label

product documentation

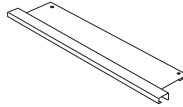
- EPSON AcuLaser Color Copy Station 8500 Setup Guide (this manual)
- EPSON AcuLaser Color Copy Station 8500 Quick Reference
- EPSON AcuLaser Color Copy Station 8500 Online Guide CD-ROM

Setting Up the Cabinet

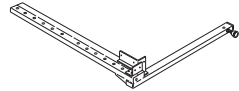
Make sure the cabinet box contains all of the parts listed below. Then follow the steps in this section to assemble the cabinet and to install the control panel.



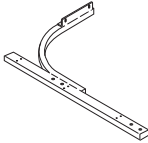
left frame



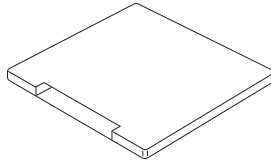
front panel



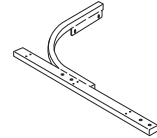
right frame



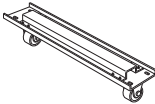
left support



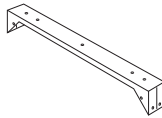
top panel



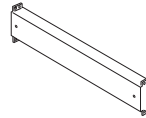
right support



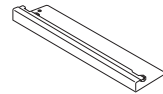
caster fixer



joint A



joint B



panel cover



cable clips (8)



stoppers (2)

Miscellaneous

M8 × 35 bolts (8)

M6 × 12 screws (4)

M4 × 10 screws (29)

flat washers (8)

spring washers (8)

spanner

lock pins (2)*

* Not for use with this model.

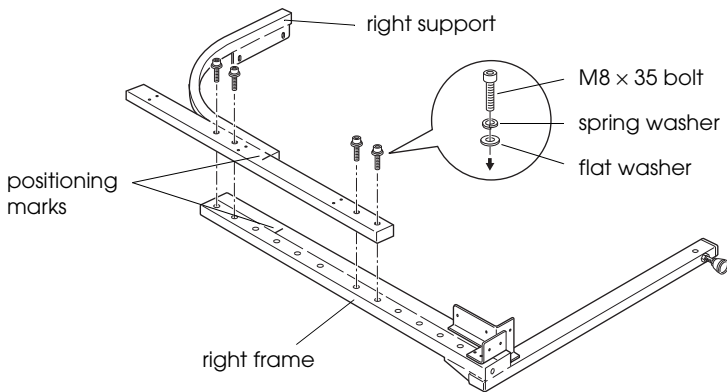
Assembling the Cabinet



Caution:

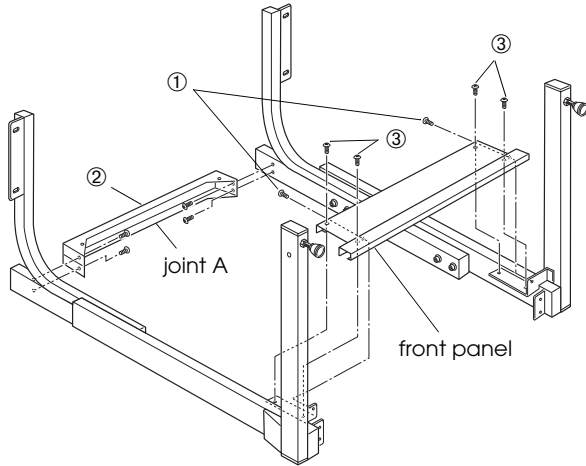
The cabinet is bulky and requires two people for assembly or handling.

1. Place flat washers and spring washers onto four M8 × 35 bolts as shown below. Align the positioning marks on the right support and the right frame, then fasten the support to the frame with the bolts.

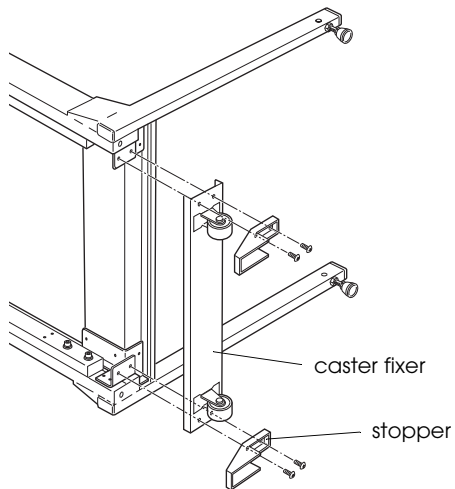


2. Assemble the left support and left frame as explained in step 1.

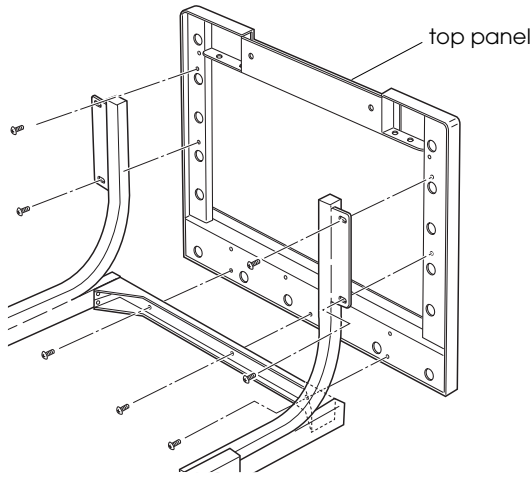
- Use M4 × 10 screws to fasten joint A and the front panel to the frame in the order shown below. Fasten the joint only loosely in this step. It is to be fastened securely later in the assembly procedure.



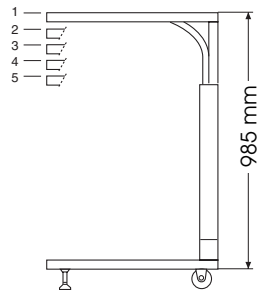
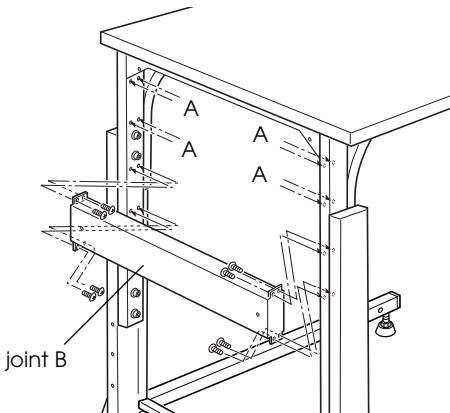
- Fasten the caster fixer and the stoppers to the bottom of the frame with four M4 × 10 screws.



5. Fasten the top panel onto the frame with seven M4 × 10 screws.



6. Fasten joint B to the frame with eight M4 × 10 screws. Then securely fasten joint A, which was installed in step 2.



The stand height is adjustable to five positions. When the stand is in position 3, 4, or 5, use holes A to fasten joint B.

7. Attach cable clips to the cabinet as needed. Holes are provided for this purpose in various positions around the cabinet.



Warning:

Do not climb onto the cabinet. Doing so may result in injury, or may damage the cabinet.



Caution:

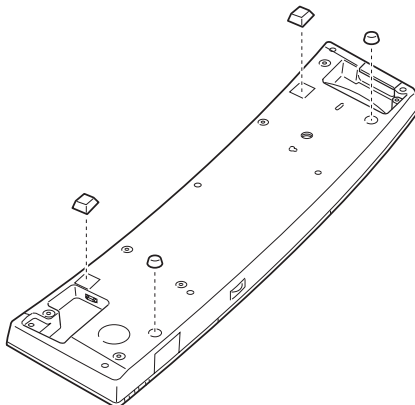
This cabinet is designed for use exclusively with the EPSON AcuLaser Color Copy Station 8500, EPSON AcuLaser C8500/GT-10000+ or EPSON EXPRESSION 1640XL copy system. Do not use it with any other devices.

Installing the Control Panel

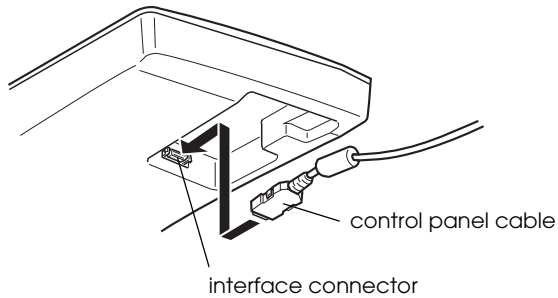
Follow the instructions below to install the control panel. As the surface of the panel is easily damaged, prepare a soft cloth on which to lay the panel during the installation procedure.

Note:

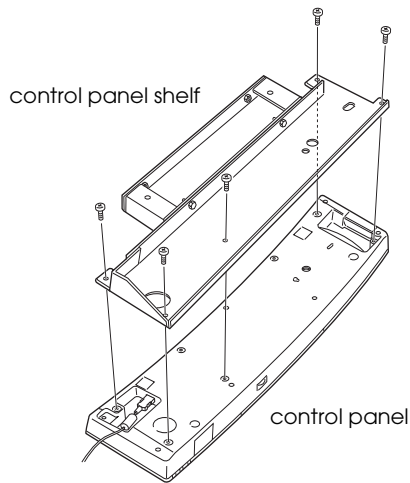
The control panel can be used independently from the cabinet. If you do not plan to install the panel in the cabinet, attach the rubber feet to the bottom of the control panel as shown, then follow the instructions below to connect the cable and to attach the panel cover.



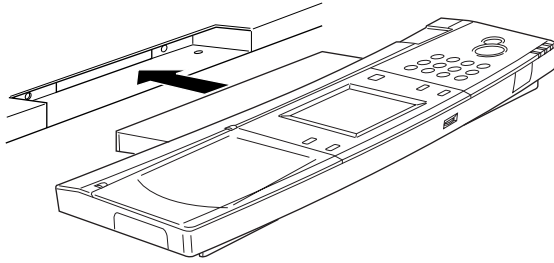
1. Plug the shielded control panel cable into the control panel's interface connector, located on the bottom of the control panel.



2. If you plan to attach the control panel to the cabinet, fasten the control panel shelf onto the bottom of the control panel using the screws included with the copy station accessories.



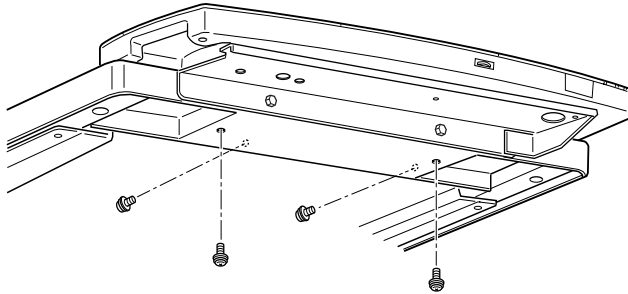
3. Insert the control panel shelf straight into the opening on the front of the cabinet's top panel.



Note:

If you do not plan to attach the control panel to the cabinet, attach the panel cover included in the cabinet box to the opening on the cabinet's top panel.

4. Secure the control panel shelf with the screws included with the cabinet.

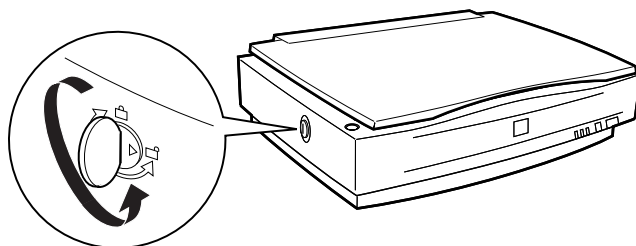


Setting Up the Scanner

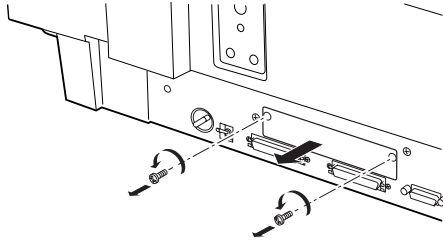
To prepare the scanner for use with the copy station, you need to install the scanner interface board and place the scanner onto the cabinet, as explained below.

The setup procedure is the same for the EPSON GT-10000+ and EPSON EXPRESSION 1640XL. However, the illustrations used in this manual are of the EPSON GT-10000+.

1. Unpack and set up the scanner as explained in the scanner's *Setup Guide*.
2. Turn the transportation lock to the unlocked position using a coin or small disc as shown below.



3. Use a cross-head screwdriver to remove the two screws securing the shield plate to the optional interface slot; then remove the plate.



Note:

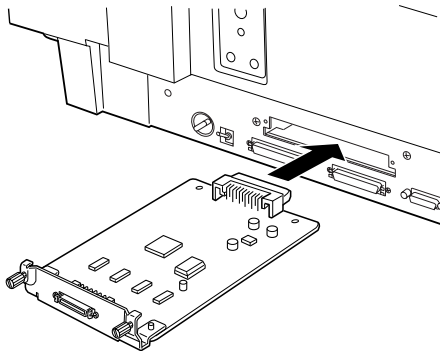
Keep the screws and the shield plate in a safe place. You will need to reattach the plate if you remove the interface board later.



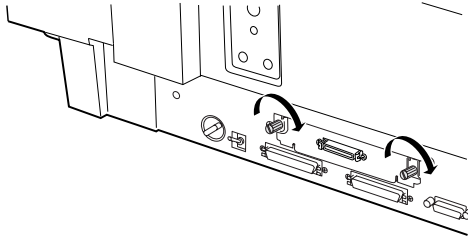
Caution:

Static electricity can damage electronic components. Discharge static electricity by touching the metal frame of your scanner before handling the interface board.

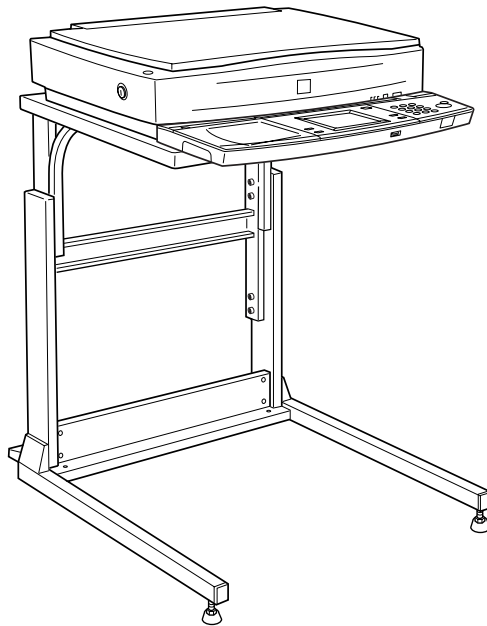
4. Insert the interface board along the side guide rails into the expansion slot in the optional interface slot.



5. Secure the board with the retaining screws.



6. Place the scanner onto the cabinet in the direction shown below.



Setting Up the Printer

To prepare the printer for use with the copy station, you need to install the interface board, ROM module, and large capacity paper unit, then place the printer into the cabinet. Follow the steps in this section.



Warning:

Be careful when working inside the printer as some components are sharp and may cause injury.

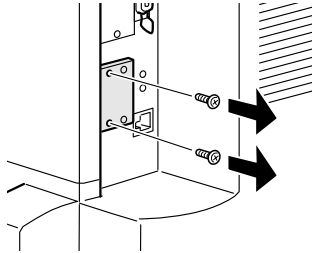


Caution:

Before you install the modules, be sure to discharge any static electricity by touching a grounded piece of metal. Otherwise, you may damage static-sensitive components.

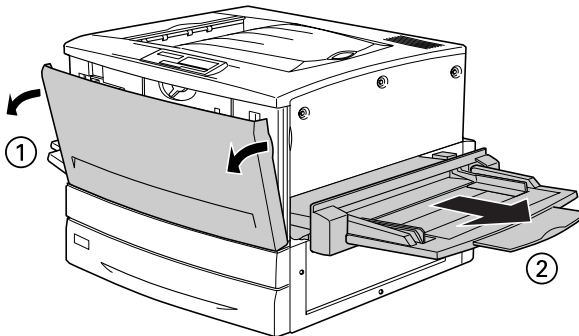
1. Unpack the printer as explained in the printer's *Unpacking Guide*, then follow the instructions in the printer's *Setup Guide* to carry out the following procedures.
 - Installing the face-up tray
 - Installing the toner cartridges
 - Installing the photoconductor unit
2. Make sure that the printer is not plugged in.

3. Remove the two screws securing the shield plate on the rear of the printer; then remove the plate.

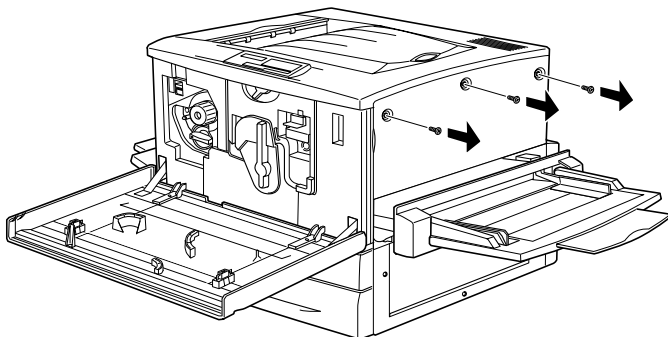


Note:

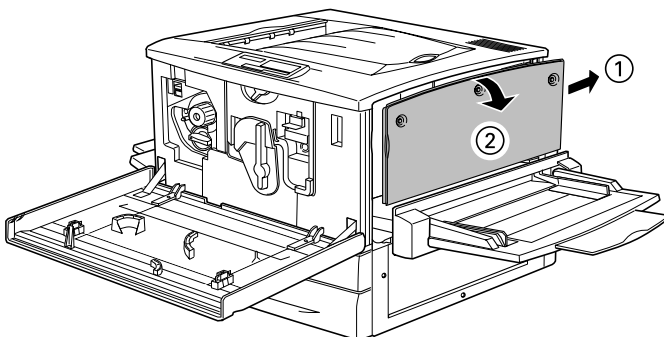
- ❑ You will need the screws to secure the printer interface board later in this procedure.
 - ❑ Keep the shield plate in a safe place. You will need to reattach it if you remove the interface board later.
4. Open the printer cover and pull out the paper path unit at least 10 cm (4 inches).



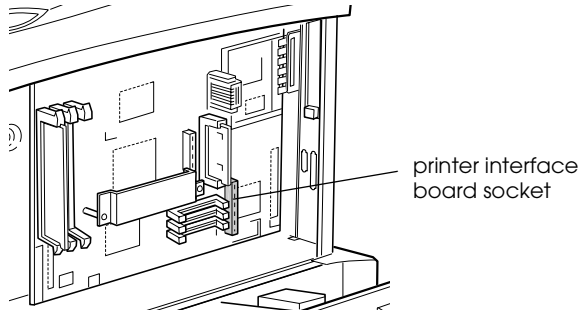
5. Remove the screws on the right cover.



6. Slide the right cover backward and remove it as shown below.



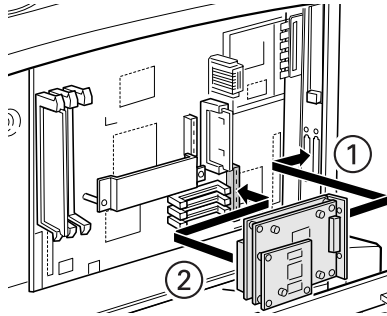
7. Identify the socket for the printer interface board.



Caution:

You should not remove any modules from the circuit board. Otherwise, the printer will not work.

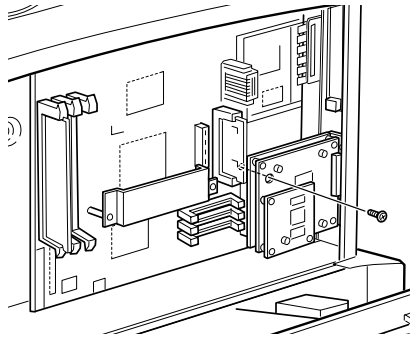
8. Insert the interface connectors through the slot at the back of the printer, then press the interface board firmly onto the socket.



Caution:

Do not touch the surface of the printer interface board. Be sure to hold it at the edges.

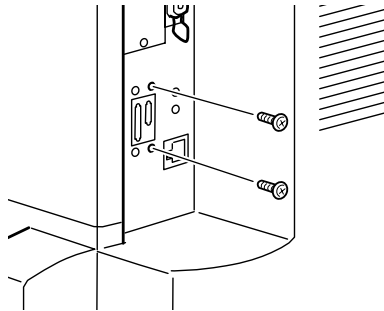
- Secure the interface board with the screw included with the copy station accessories.



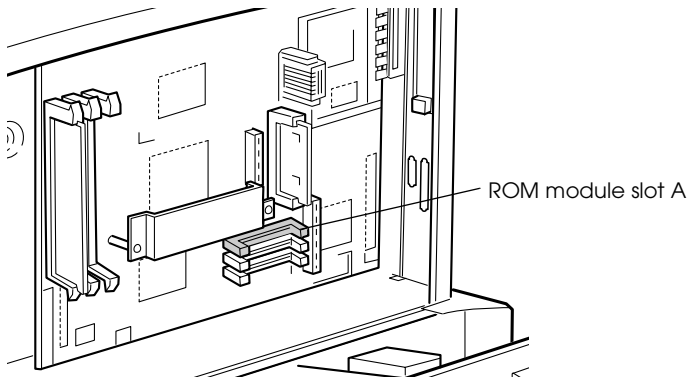
Note:

Use a magnetic cross-head screwdriver to prevent the screw from dropping inside the printer.

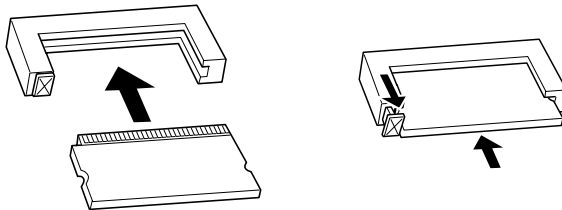
- Secure the printer interface board with the two screws which you removed from the shield plate in step 6.



11. Identify the slots for the ROM module.



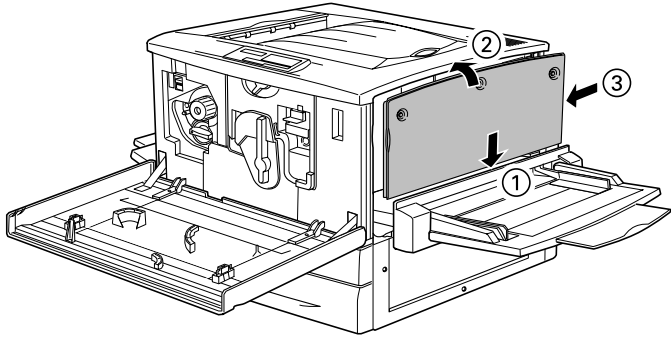
12. Insert the module all the way into slot A, making sure that the gold contact side of the module faces up. The X tab on the left of the slot will jut out when the module is inserted correctly.



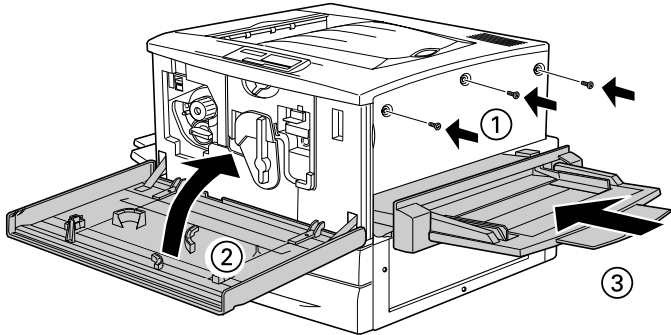
Caution:

- ❑ Do not force the ROM module into the slot.
- ❑ Be sure to insert the module facing the correct way.

13. To reattach the right cover, align the bottom of the cover with the right side of the printer, then fit the pins on the top of the cover onto the holes on the printer.

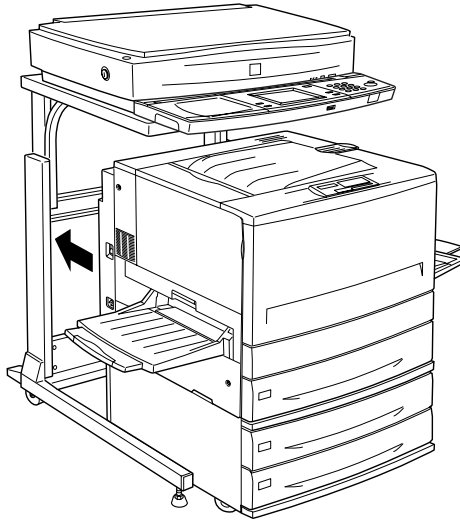


14. Secure the right cover with the screws, then close the front cover and push the paper path unit back into the printer.

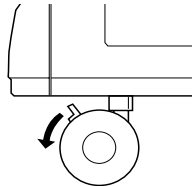


15. Install the large capacity paper unit as explained in the printer's manual.

16. Roll the large capacity paper unit and the printer into the cabinet.



17. Lock the four casters on the bottom of the large capacity paper unit.



Warning:

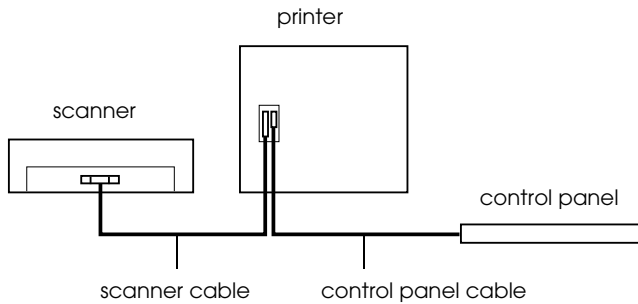
Make sure the casters are securely locked. Otherwise, the printer may move and cause an accident.

Setting Up the Copy Station

Once you've added each device to the cabinet, you are ready to set up the copy station. This process involves connecting the interface cables and power cords. Follow the steps in this section.

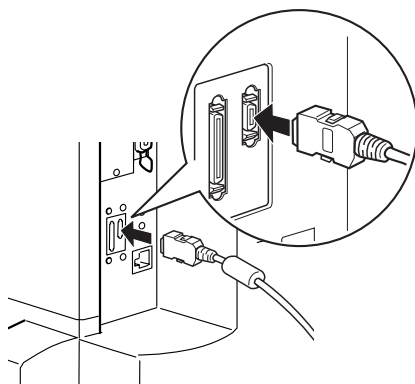
Connecting Interface Cables

The copy station devices are connected as shown below.

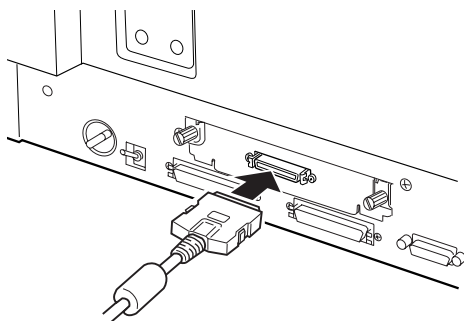


Follow the steps in this section to connect the interface cables.

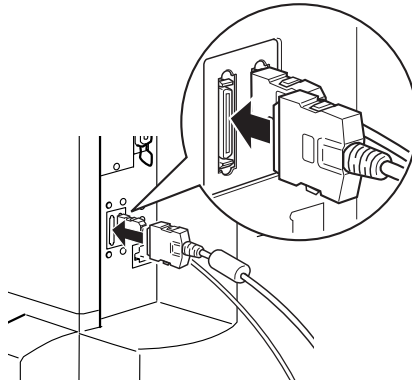
1. Make sure the printer and scanner are not plugged in.
2. Plug the control panel cable into the printer's serial interface connector. Make sure the locks on both sides of the connector snap into place.



3. Plug the scanner cable into the scanner's interface connector.



4. Plug the other end of the cable into the connector on the printer.



Plugging in the Printer and Scanner

The printer and scanner power is supplied through separate power cords. Take note of the Warnings and Cautions below, then follow the steps in this section to plug in the printer and the scanner.



Warning:

- ❑ *Use only the power cords that come with the printer and scanner. Using other power cords could result in fire or electric shock.*
- ❑ *Do not use multi-plug adapters or extension cords, or auxiliary power from a computer. Using such power sources could result in fire or electric shock.*
- ❑ *Do not allow dust to build up on the plug or the outlet. In a damp environment, a tiny amount of current may develop, which could result in fire or electric shock.*
- ❑ *Never touch a power plug with wet hands. Doing so could result in electric shock.*

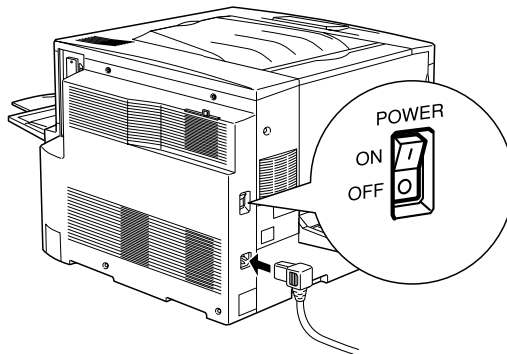


Caution:

- ❑ Do not unplug a device when its power is on.
- ❑ When unplugging a power cord, grasp it by the plug—not the cord.


Plugging in the printer

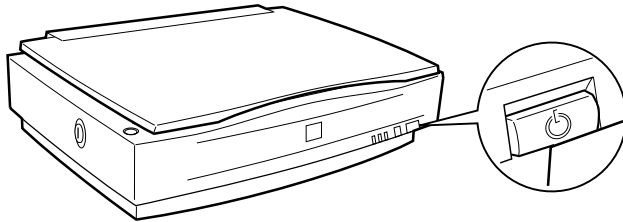
1. Check the label on the printer to make sure that the voltage required by the printer matches that of the electrical outlet it will be plugged into. Also, make sure that you have the correct power cord for your power source.
2. Make sure that the printer is turned off. It is off when the (O) side of the power switch on the left side of the printer is pushed in.
3. Connect the power cord to the AC inlet on the left side of the printer.



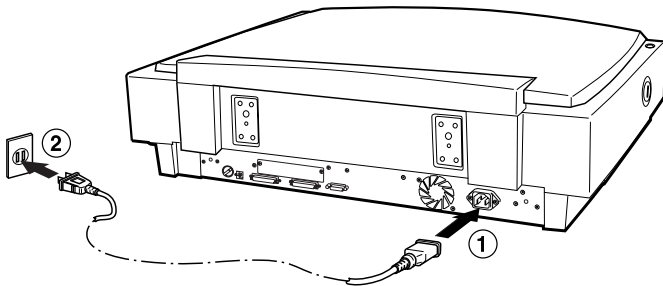
4. Plug the other end into a properly grounded electrical outlet.

Plugging in the scanner

1. Check the label on the back of the scanner to make sure that the voltage required by the scanner matches that of the electrical outlet it will be plugged into. Also, make sure that you have the correct power cord for your power source.
2. Make sure the scanner is turned off. The power is off when the  OPERATE button is raised.



3. Connect the power cord to the AC inlet on the back of the scanner, and plug the other end into a properly-grounded electrical outlet.



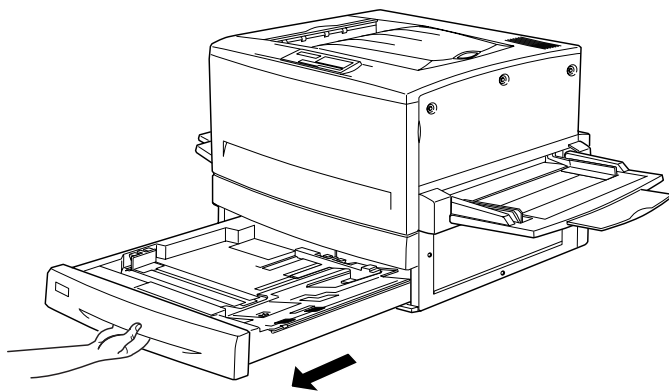
Testing the Copy Station

You can check the operation of the copy station by making a few test copies. You will need to prepare a document to copy and a stack of paper that is the same size as your document, then follow the steps in this section to make your copies.

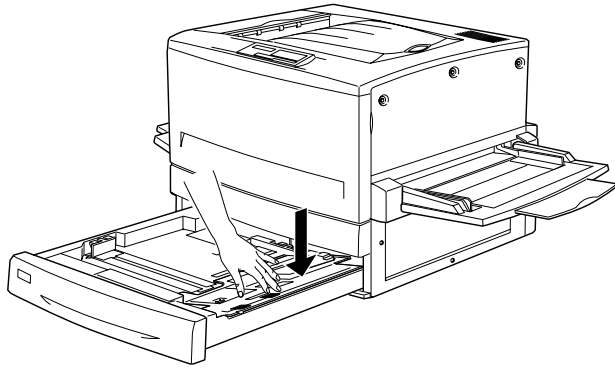
Getting Ready to Copy

To prepare to make your first copies, you need to load a stack of paper into the printer, turn the printer and scanner on, and select the paper source from the copy station's control panel. Follow these steps.

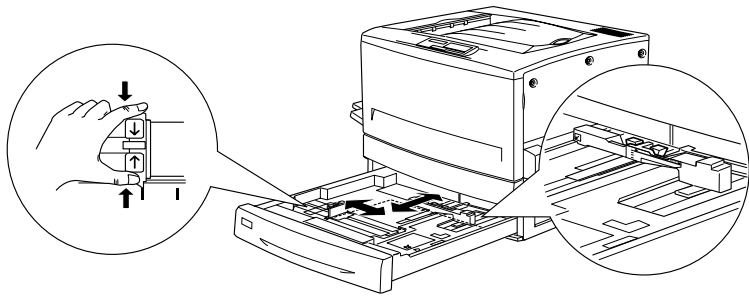
1. Pull the paper cassette out until it stops.



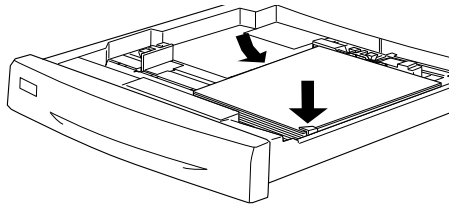
2. Press down on the metal plate in the cassette until it clicks into place.



3. Press on the side and back paper guides, then slide them outward until they are wide open enough to accommodate the size of paper you want to load.



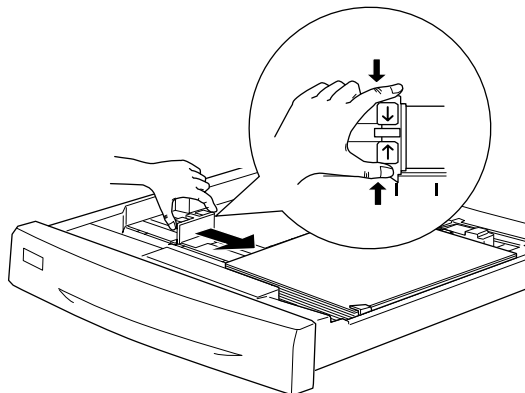
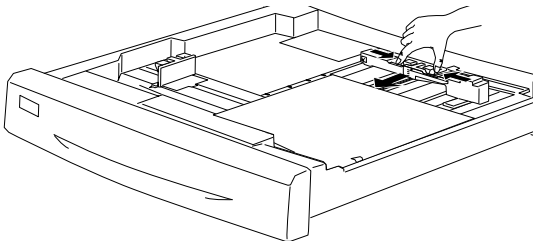
4. Fan a stack of plain paper and insert it into the cassette. Make sure that all the paper is under the retaining clip on the right side of the cassette.



Note:


Use paper with no creases or wrinkles.

5. Slide the paper guides until they just touch the edges of the paper.



Note:

Make sure you adjust the side paper guide to the correct position, because the copy station automatically senses the size of paper loaded in the cassette from the position of this paper guide. If the paper guide is not correctly aligned with the paper size indication (for example, A4 or LT), the correct paper size will not be displayed on the control panel and copying will be impossible.

6. Push the paper cassette all the way into the printer.
7. Turn on the scanner by pressing the  OPERATE button.

Note:

Always turn on the scanner before the printer.

8. Turn on the printer by pressing the (I) side of its power switch.

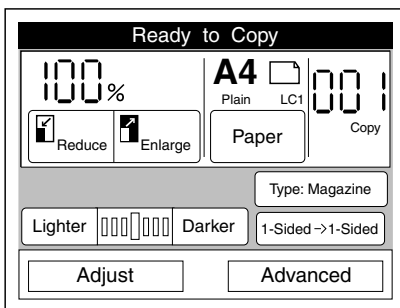
The copy station checks the connections of the scanner and the printer.



Caution:

Do not turn off the power while the copy station is checking the scanner and printer connections, or while copying.

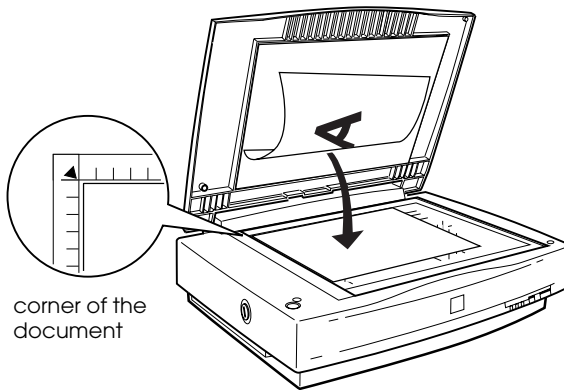
When the following screen appears, the copy station is ready for copying.



Copying

Once you've loaded paper and turned on the copy station, you're ready to make test copies. Follow these steps.

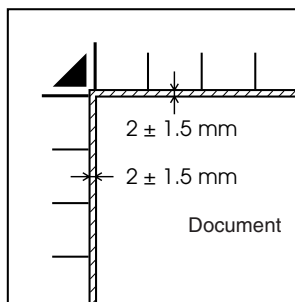
1. Make sure the scanner's READY light is on.
2. Open the document cover.
3. Place your document on the document table, with the side to be scanned facing down. Make sure that the document is carefully aligned.



Use the document guide strip to align the horizontal edge of the document.

Note:

An area 2 ± 1.5 mm in from both horizontal and vertical rulers will not be scanned.

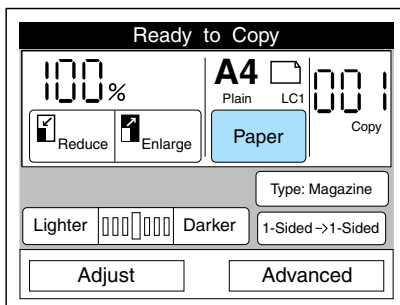


4. Close the document cover gently so that the document does not move.

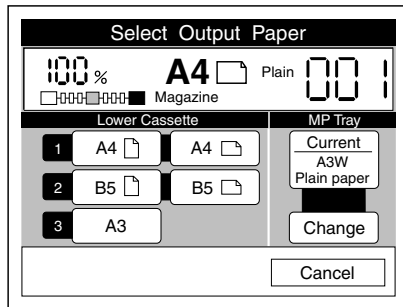
Note:


Make sure the document is flat against the glass surface, otherwise the image will appear fuzzy and out of focus. Also be sure to close the document cover to prevent interference from external light.

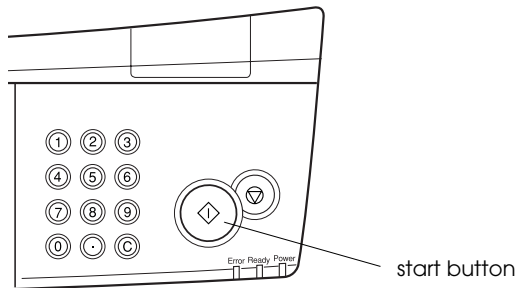
5. Press the Paper button on the touch screen.



6. Select the paper size and orientation that matches the size of the document and the direction in which it is placed on the document table.



7. Press the  start button on the copy station's control panel. The document is scanned and then printed.

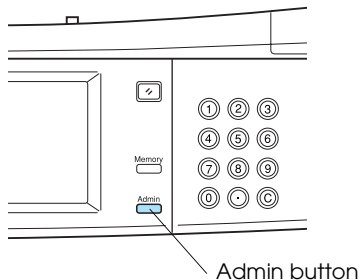


If the copy station does not work, or if the copy results are not what you expected, check the connections between all devices, and make sure the surface of the document table is clean and clear of foreign objects. For more solutions to problems you may encounter, see "Problem Solver" in the online *Reference Guide*.

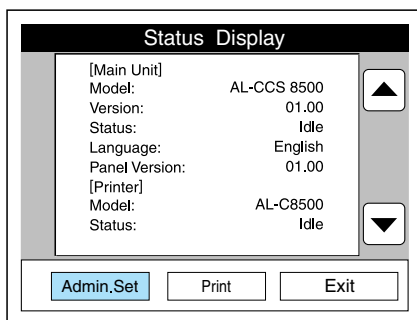
Selecting a Language

The default language for the LCD touch screen is English. However, German, Spanish, French, Italian, Portuguese, and English (USA) are also available. If you want to change the language, follow the steps below.

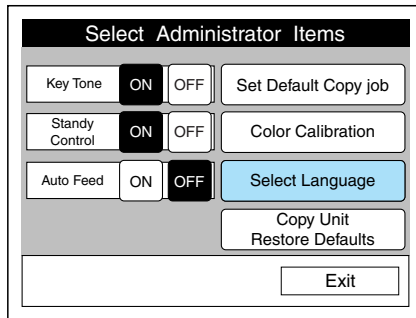
1. Press the Admin button on the control panel.



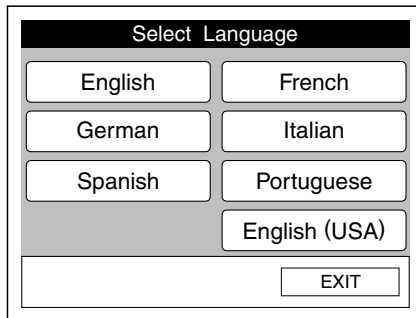
2. Press the Admin. Set button on the touch screen.



3. Press the Select Language button.



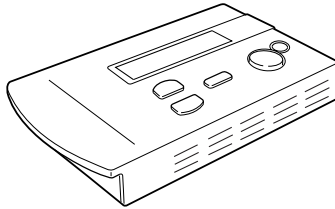
4. Choose a language and press Exit.



Appendix A *Installing EPSON Network Image Express*

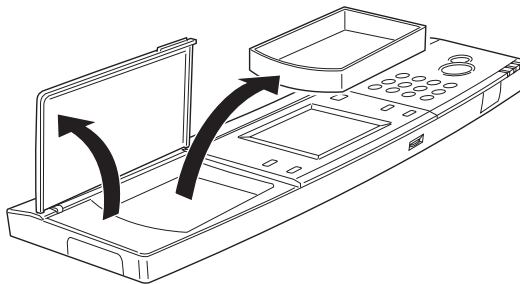
EPSON Network Image Express allows the scanner to be shared on a network without the need for a scanner server PC. This appendix explains how to install EPSON Network Image Express in the copy station.

See the manual that comes with this product for more information.

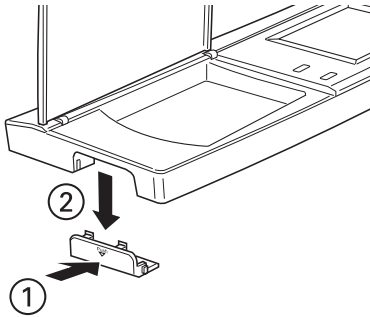


EPSON Network Image Express

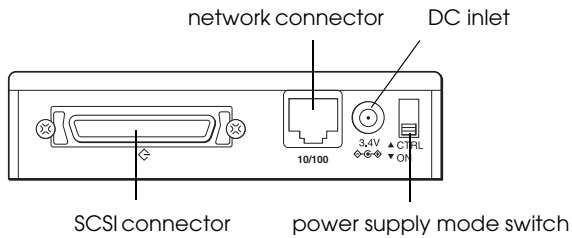
1. Make sure the printer and scanner are turned off and unplugged.
2. Open the translucent cover on the control panel and remove the inner tray.



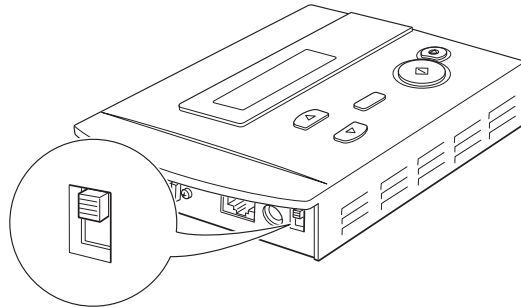
3. Remove the connector cover on the left side of the control panel as shown below.



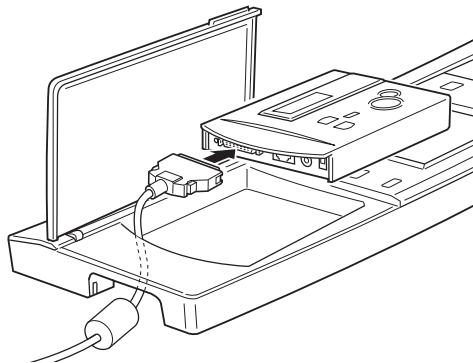
4. Identify the connectors and switch on the side panel of Network Image Express.



- Slide the power supply mode switch up, which is the off position. The power to Network Image Express is turned on automatically when the scanner power is turned on.

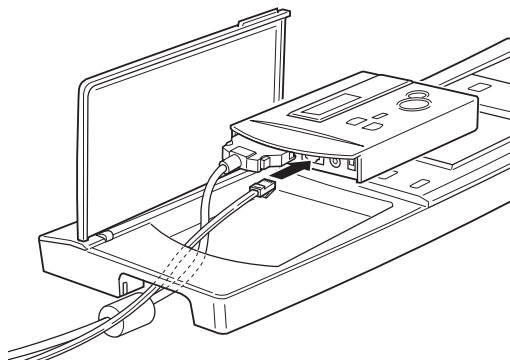


- Pass one end of the SCSI cable included with Network Image Express through the opening on the left side of the control panel, then connect it to the SCSI connector on Network Image Express. Make sure the locks on both sides of the connector snap into place.

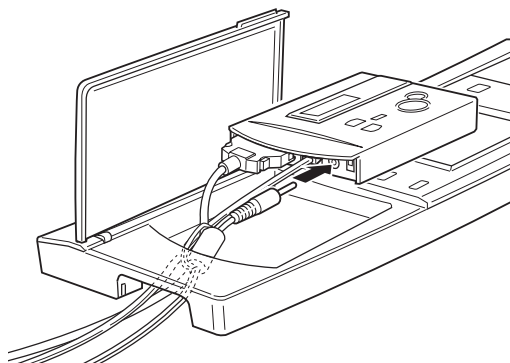


- Connect the other end of the cable to an available SCSI interface connector on the scanner. Usually, the scanner has two SCSI interface connectors, either of which can be used. See the scanner's manual for more information.

8. Pass the 10BaseT or 100BaseTX network cable through the opening on the control panel, and connect it to the network connector.



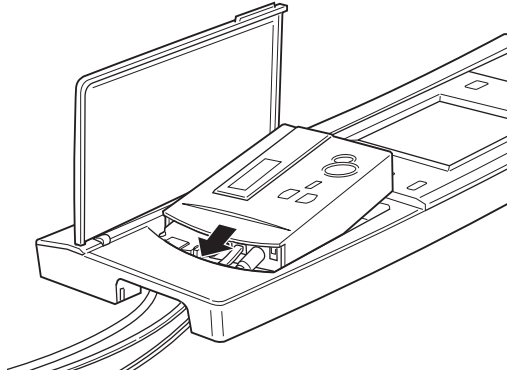
9. Pass the power cord through the opening on the control panel and connect it to the DC inlet.



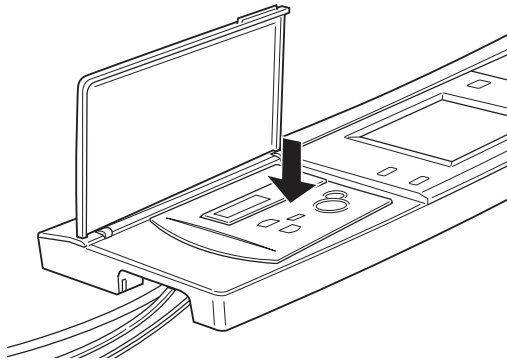
Caution:

Use only the AC adapter and the power cord included with Network Image Express. Using other adapters may cause the system to malfunction.

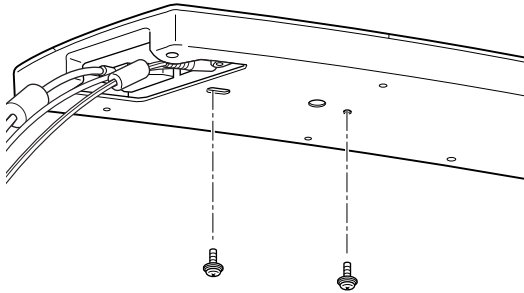
10. Insert the left side of Network Image Express into the opening on the control panel.



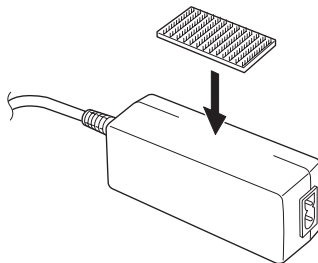
11. Push the right side of the Network Image Express gently into place.



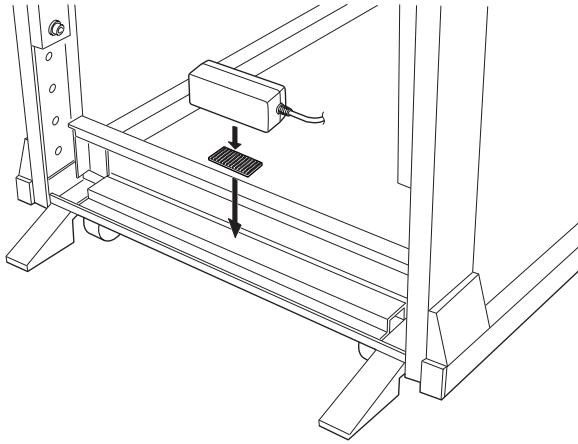
- Secure Network Image Express to the control panel with the two screws included in the copy station accessories.



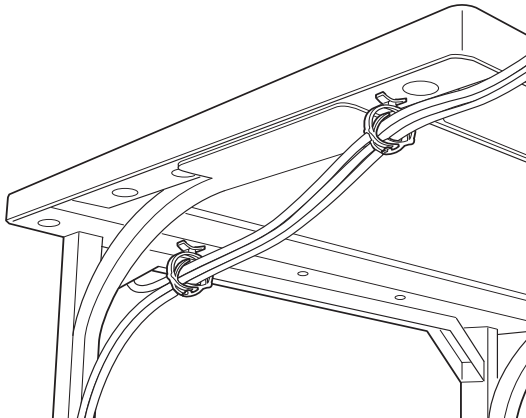
- Close the translucent cover.
- Attach a touch fastener strip to the AC adapter.



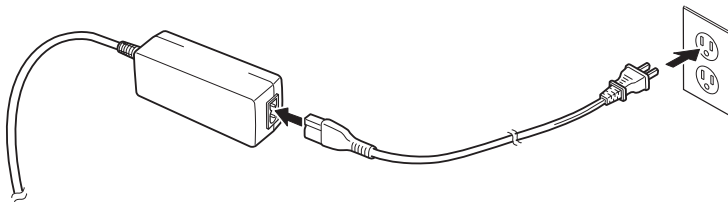
15. Attach the other touch fastener strip to the cabinet, and then attach the AC adapter to the cabinet by joining the two strips.



16. Install the cable clips at the following locations, then secure the Network Image Express cables with the clips.



17. Connect the power cord of the scanner and then turn on the scanner.
18. Plug in the power cord of the AC adapter.



Note:

- ❑ *Network Image Express has a built-in SCSI terminator.*
- ❑ *The fixed SCSI ID number for Network Image Express is 7. Use any available number other than 7 for the scanner. See the scanner manual to learn how to set the ID number.*
- ❑ *Make sure the scanner is terminated properly. See the scanner manual to learn how to terminate the scanner.*



Caution:

Do not connect or disconnect Network Image Express from the scanner while the scanner is still turned on; otherwise, the scanner or Network Image Express may be damaged.

Where to Find Information

Before using the EPSON AcuLaser Color Copy Station 8500, be sure to follow the instructions in the following manuals.

EPSON AcuLaser Color Copy Station 8500 Setup Guide (this manual)

Explains how to assemble the copy station's components and test basic copying operation.

EPSON AcuLaser Color Copy Station 8500 Quick Reference

Gives you quick access to information needed for daily copying, including explanations of control panel functions and touch panel messages. This guide can be hung on the printer with the hook provided.

EPSON AcuLaser Color Copy Station 8500 Reference Guide (supplied on the CD-ROM accompanying the copy station)

Provides you with detailed information on the copy station, from general maintenance and troubleshooting to technical specifications.

For information on assembling the printer, the large capacity paper unit, and the scanner, refer to the *Unpacking Guide* and *Setup Guide* included with each device.